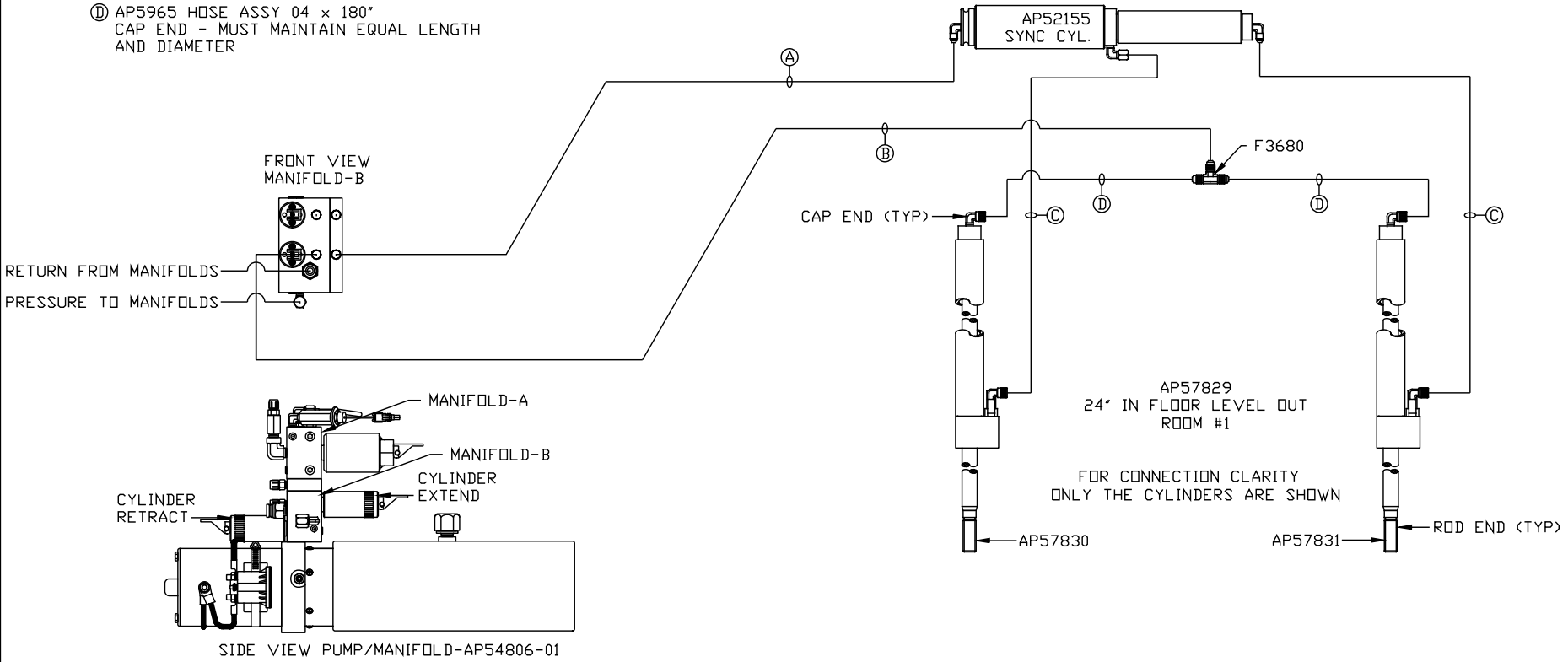




ORIENTATION  
 ← FRONT

- Ⓐ AP4074 HOSE ASSY 04 x 108"  
ROD END - ALWAYS PRESSURIZED
- Ⓑ AP4161 HOSE ASSY 04 x 120"  
CAP END
- Ⓒ AP49517 HOSE ASSY 03 x 180"  
ROD END - ALWAYS PRESSURIZED - MUST  
MAINTAIN EQUAL LENGTH AND DIAMETER
- Ⓓ AP5965 HOSE ASSY 04 x 180"  
CAP END - MUST MAINTAIN EQUAL LENGTH  
AND DIAMETER

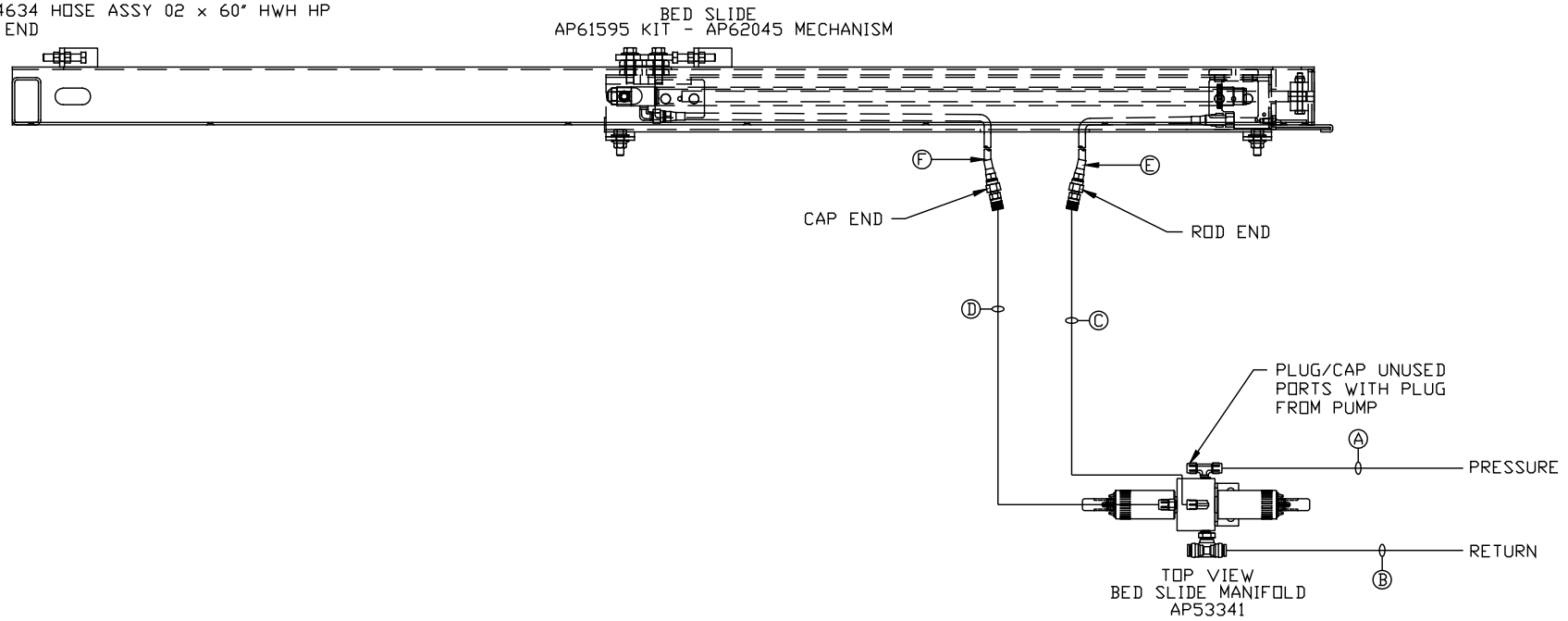


SIDE VIEW PUMP/MANIFOLD-AP54806-01  
 LOCATION AND ORIENTATION OF  
 PUMP/MANIFOLD ASSEMBLY WILL  
 DIFFER DEPENDING UPON O.E.M.

NOTE: INSTALLATION MUST CONFORM TO GOOD SHOP PRACTICES, SAE  
 STANDARDS, RVIA STANDARDS, AND OTHER APPLICABLE STANDARDS.

NOTE: HOSES (E) AND (F) ARE INCLUDED WITH THE ROOM EXTENSION MECHANISM

- (A) AP4163 HOSE ASSY 04 X 360" PRESSURE
- (B) P4479 NYLON TUBING 3/8" X 360" RETURN
- (C) AP4827 HOSE ASSY 04 X 144" ROD END - ALWAYS PRESSURIZED
- (D) AP4062 HOSE ASSY 04 X 132" CAP END
- (E) AP24630 HOSE ASSY 02 X 36" HWH HP ROD END - ALWAYS PRESSURIZED
- (F) AP24634 HOSE ASSY 02 X 60" HWH HP CAP END



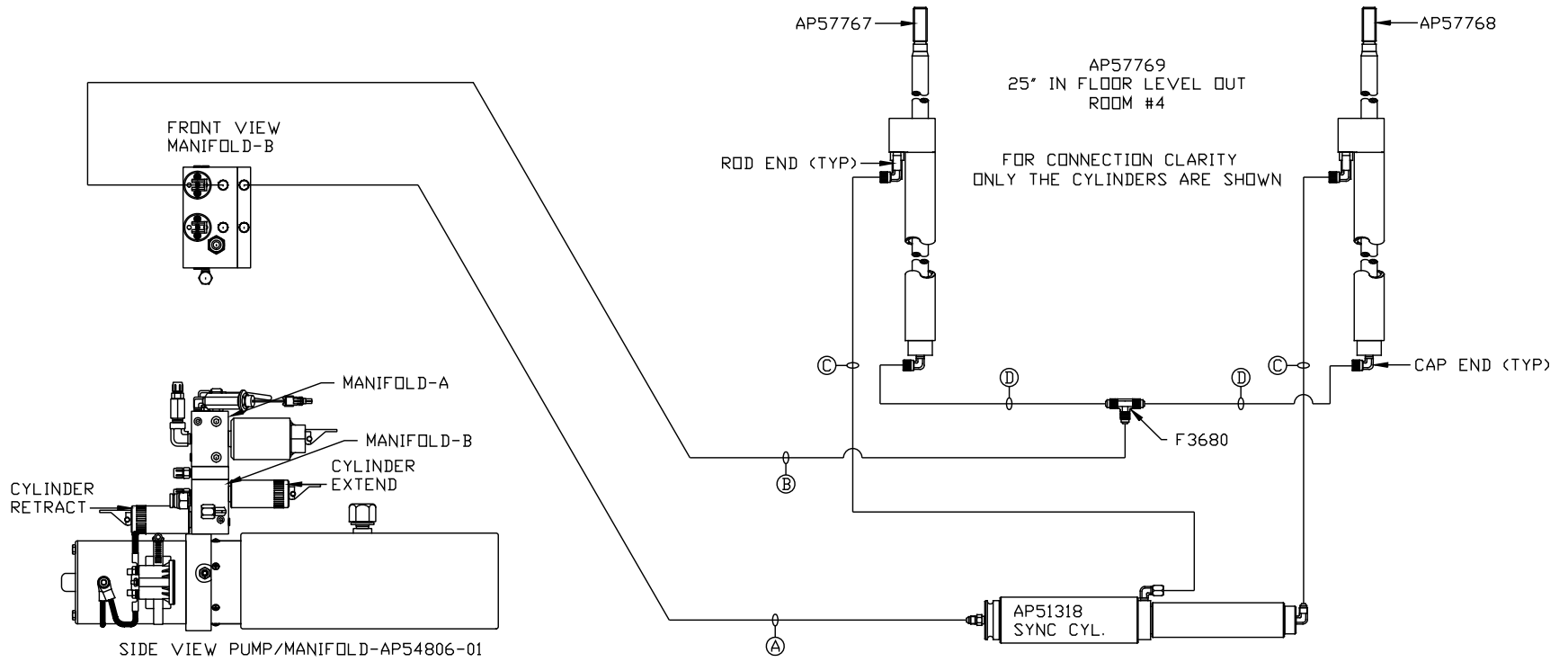
NOTE: INSTALLATION MUST CONFORM TO GOOD SHOP PRACTICES, SAE STANDARDS, RVIA STANDARDS, AND OTHER APPLICABLE STANDARDS.

MP71424 C/D  
12APR22

ORIENTATION

← FRONT

- Ⓐ AP5352 HOSE ASSY 04 x 96"  
ROD END - ALWAYS PRESSURIZED
- Ⓑ AP10566 HOSE ASSY 04 x 102"  
CAP END
- Ⓒ AP51638 HOSE ASSY 03 x 300"  
ROD END - ALWAYS PRESSURIZED - MUST  
MAINTAIN EQUAL LENGTH AND DIAMETER
- Ⓓ AP5216 HOSE ASSY 04 x 312"  
CAP END - MUST MAINTAIN EQUAL LENGTH  
AND DIAMETER



SIDE VIEW PUMP/MANIFOLD-AP54806-01

LOCATION AND ORIENTATION OF  
PUMP/MANIFOLD ASSEMBLY WILL  
DIFFER DEPENDING UPON O.E.M.

NOTE: INSTALLATION MUST CONFORM TO GOOD SHOP PRACTICES, SAE  
STANDARDS, RVIA STANDARDS, AND OTHER APPLICABLE STANDARDS.