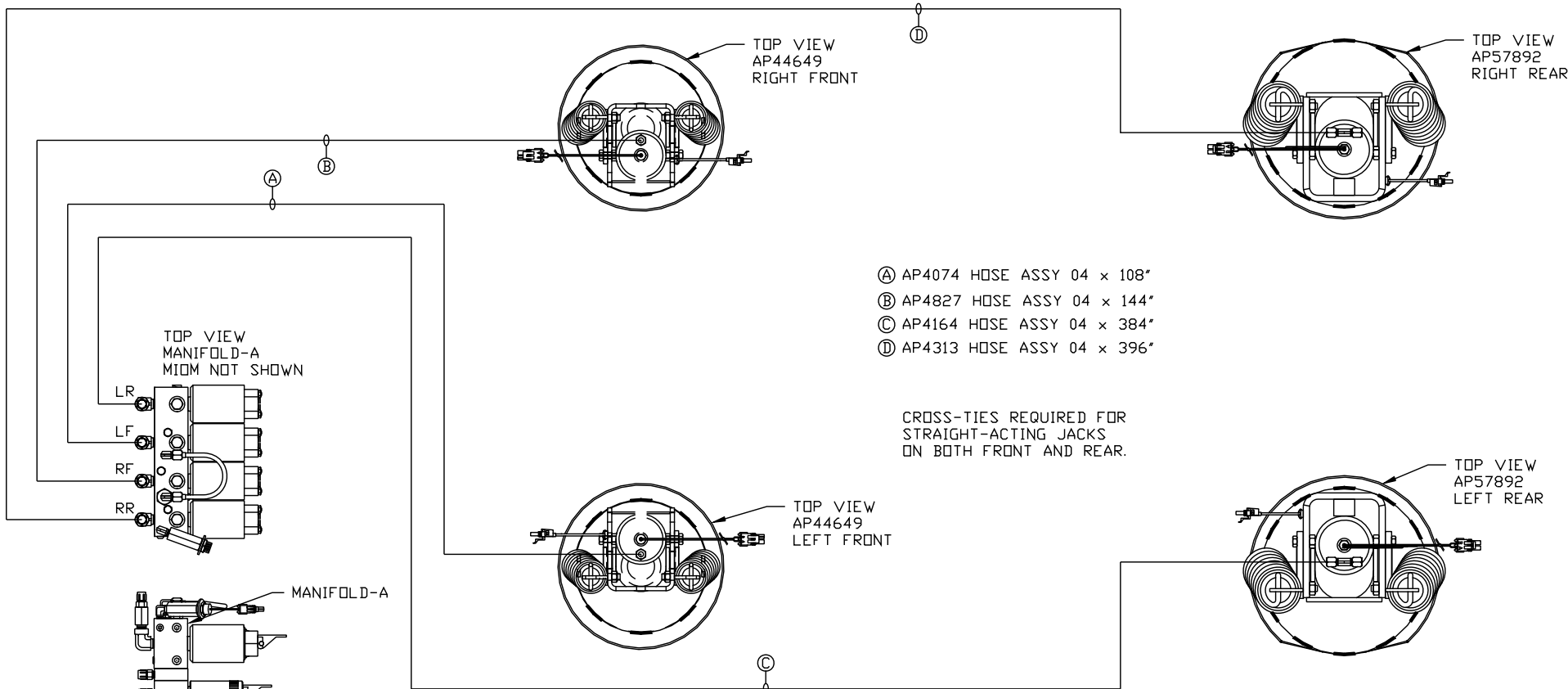


ORIENTATION  
 ← FRONT



TOP VIEW  
 MANIFOLD-A  
 MIDM NOT SHOWN

LR  
 LF  
 RF  
 RR

MANIFOLD-A

SIDE VIEW PUMP/MANIFOLD-AP54806-01

LOCATION AND ORIENTATION OF  
 PUMP/MANIFOLD ASSEMBLY WILL  
 DIFFER DEPENDING UPON O.E.M.

NOTE: INSTALLATION MUST CONFORM TO GOOD SHOP PRACTICES, SAE  
 STANDARDS, RVIA STANDARDS, AND OTHER APPLICABLE STANDARDS.

TOP VIEW  
 AP44649  
 RIGHT FRONT

TOP VIEW  
 AP57892  
 RIGHT REAR

TOP VIEW  
 AP44649  
 LEFT FRONT

TOP VIEW  
 AP57892  
 LEFT REAR

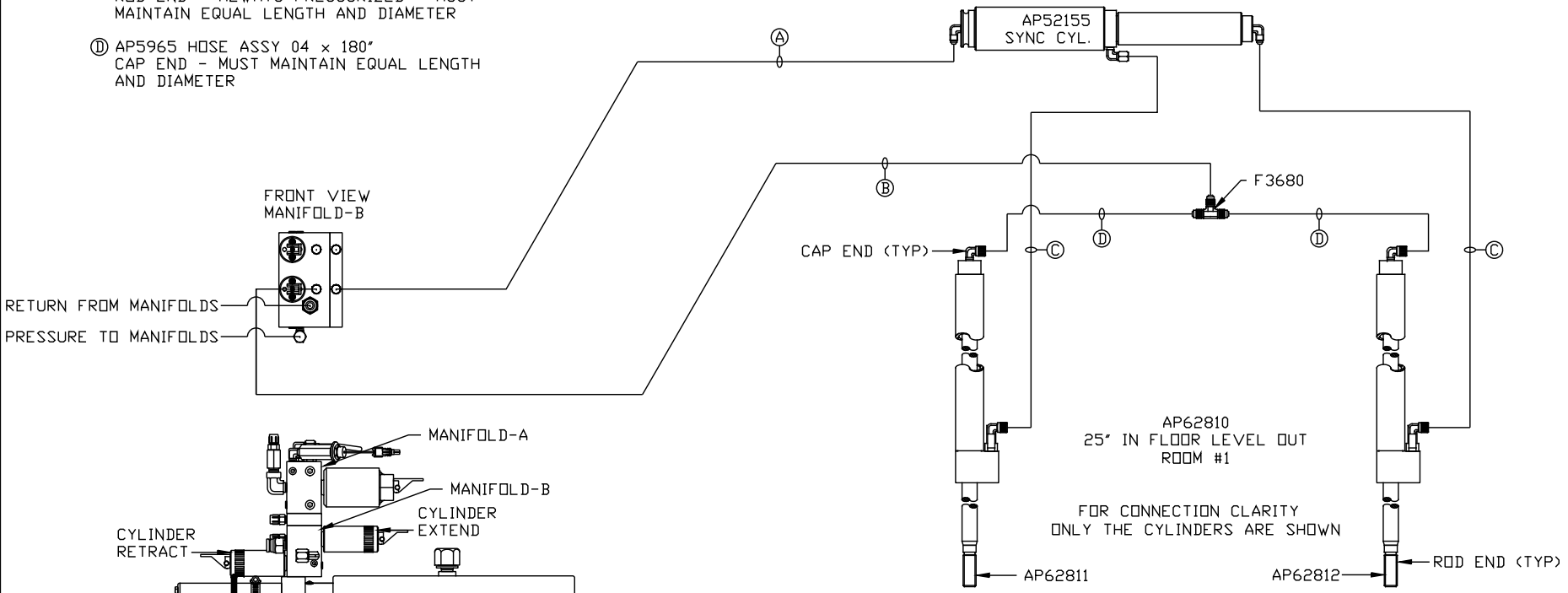
- Ⓐ AP4074 HOSE ASSY 04 x 108"
- Ⓑ AP4827 HOSE ASSY 04 x 144"
- Ⓒ AP4164 HOSE ASSY 04 x 384"
- Ⓓ AP4313 HOSE ASSY 04 x 396"

CROSS-TIES REQUIRED FOR  
 STRAIGHT-ACTING JACKS  
 ON BOTH FRONT AND REAR.

HWH			I-80 EXIT 267 SOUTH RT 1 MOSCOW, IOWA 52760	
SCALE 1:6		DATE 11APR22	DRAWN BY .	
HYD CONN DIAGRAM				
TIPFIN		DRAWING NUMBER MP71425 A/D		
SYNC KIT: AP63741	NO.	DATE	REVISION	
PUMP KIT: AP63636	THE INFORMATION DISCLOSED ON THIS DRAWING IS CONFIDENTIAL AND MUST NOT BE DISCLOSED OR USED IN ANY MANNER WHICH WILL BE DETRIMENTAL TO THE HWH CORPORATION			
JACK KIT: AP57896				

ORIENTATION  
 ← FRONT

- Ⓐ AP4074 HOSE ASSY 04 x 108"  
ROD END - ALWAYS PRESSURIZED
- Ⓑ AP4161 HOSE ASSY 04 x 120"  
CAP END
- Ⓒ AP49517 HOSE ASSY 03 x 180"  
ROD END - ALWAYS PRESSURIZED - MUST  
MAINTAIN EQUAL LENGTH AND DIAMETER
- Ⓓ AP5965 HOSE ASSY 04 x 180"  
CAP END - MUST MAINTAIN EQUAL LENGTH  
AND DIAMETER



AP62810  
 25" IN FLOOR LEVEL OUT  
 ROOM #1

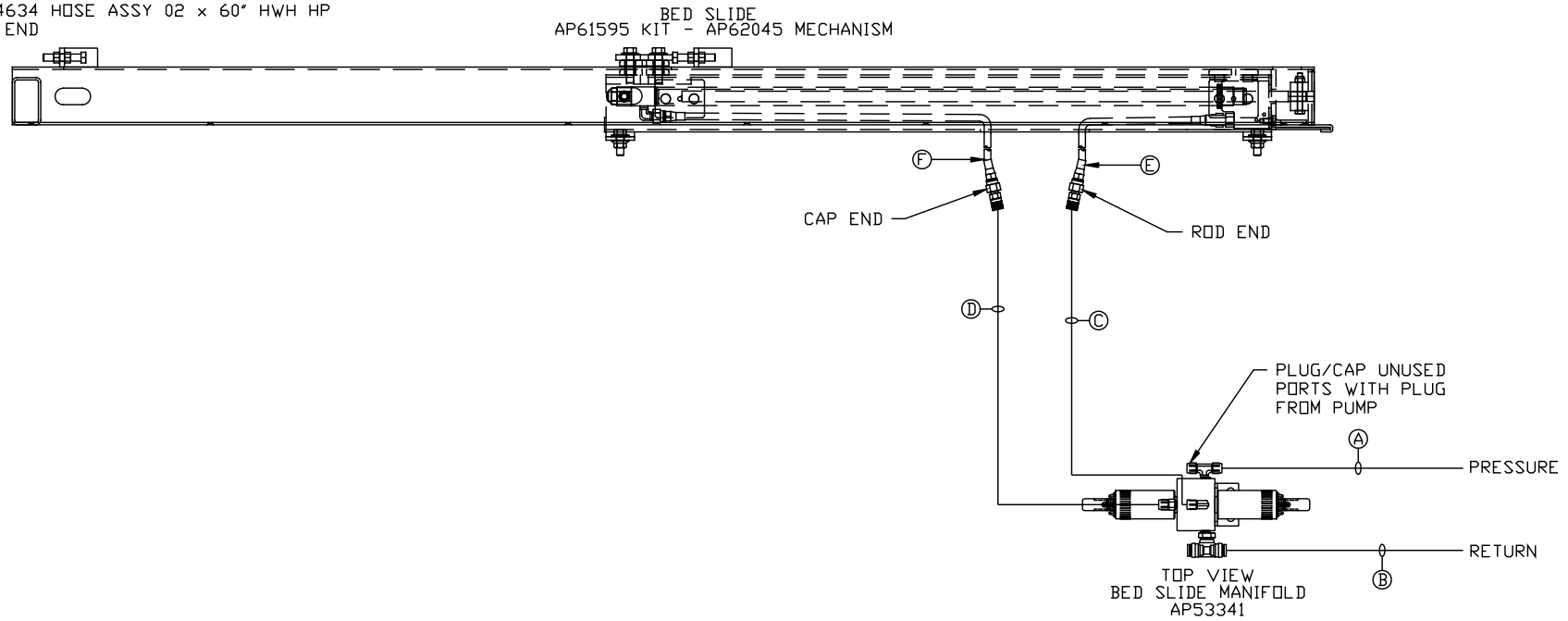
FOR CONNECTION CLARITY  
 ONLY THE CYLINDERS ARE SHOWN

SIDE VIEW PUMP/MANIFOLD-AP54806-01  
 LOCATION AND ORIENTATION OF  
 PUMP/MANIFOLD ASSEMBLY WILL  
 DIFFER DEPENDING UPON O.E.M.

NOTE: INSTALLATION MUST CONFORM TO GOOD SHOP PRACTICES, SAE  
 STANDARDS, RVIA STANDARDS, AND OTHER APPLICABLE STANDARDS.

NOTE: HOSES (E) AND (F) ARE INCLUDED WITH THE ROOM EXTENSION MECHANISM

- (A) AP6218 HOSE ASSY 04 X 480" PRESSURE
- (B) P29287 NYLON TUBING 3/8" X 480" RETURN
- (C) AP4827 HOSE ASSY 04 X 144" ROD END - ALWAYS PRESSURIZED
- (D) AP4062 HOSE ASSY 04 X 132" CAP END
- (E) AP24630 HOSE ASSY 02 X 36" HWH HP ROD END - ALWAYS PRESSURIZED
- (F) AP24634 HOSE ASSY 02 X 60" HWH HP CAP END



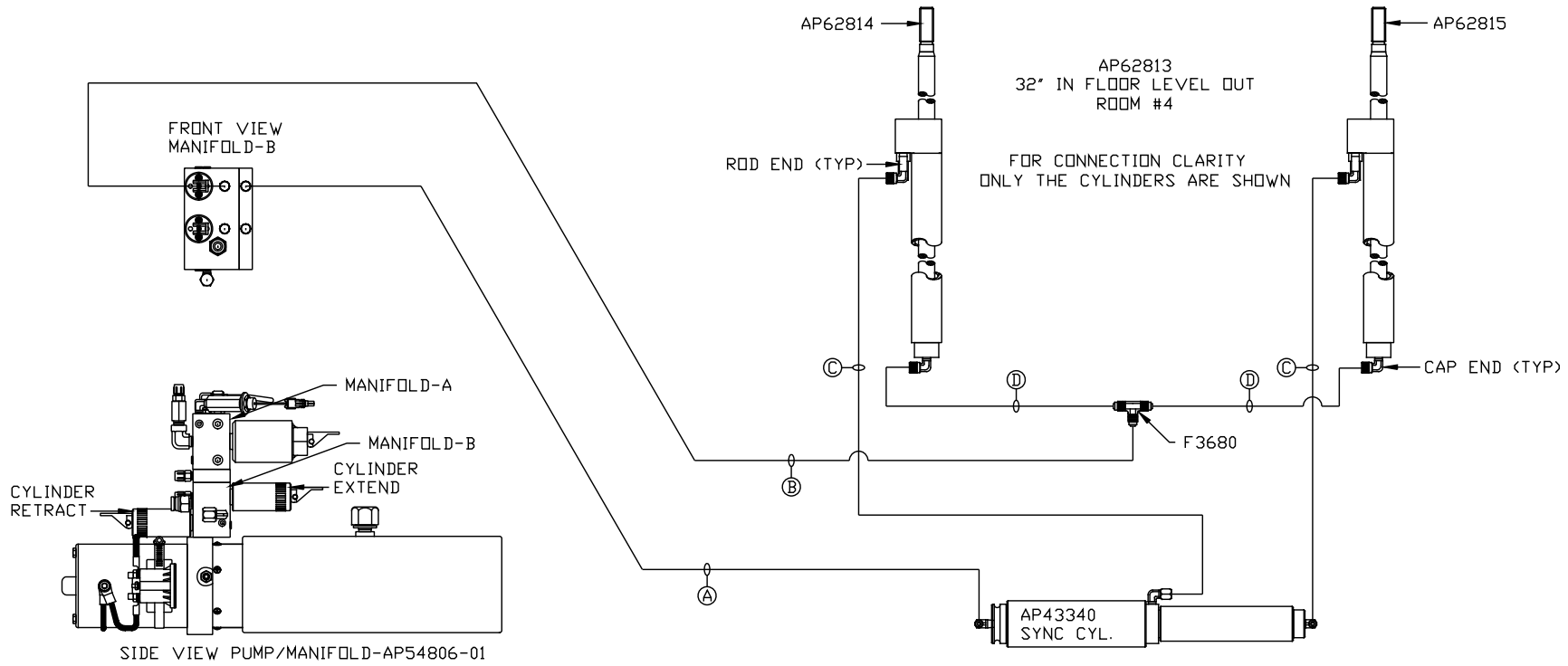
NOTE: INSTALLATION MUST CONFORM TO GOOD SHOP PRACTICES, SAE STANDARDS, RVIA STANDARDS, AND OTHER APPLICABLE STANDARDS.

MP71425 C/D  
11APR22

ORIENTATION

← FRONT

- Ⓐ AP5352 HOSE ASSY 04 × 96"  
ROD END - ALWAYS PRESSURIZED
- Ⓑ AP10566 HOSE ASSY 04 × 102"  
CAP END
- Ⓒ AP53067 HOSE ASSY 03 × 276"  
ROD END - ALWAYS PRESSURIZED - MUST  
MAINTAIN EQUAL LENGTH AND DIAMETER
- Ⓓ AP5562 HOSE ASSY 04 × 276"  
CAP END - MUST MAINTAIN EQUAL LENGTH  
AND DIAMETER



SIDE VIEW PUMP/MANIFOLD-AP54806-01

LOCATION AND ORIENTATION OF  
PUMP/MANIFOLD ASSEMBLY WILL  
DIFFER DEPENDING UPON O.E.M.

NOTE: INSTALLATION MUST CONFORM TO GOOD SHOP PRACTICES, SAE  
STANDARDS, RVIA STANDARDS, AND OTHER APPLICABLE STANDARDS.