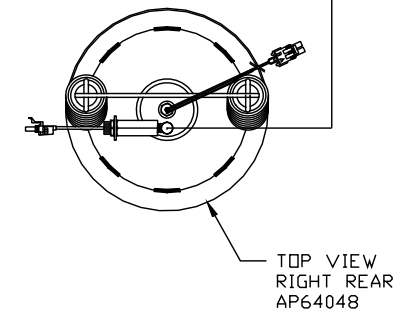
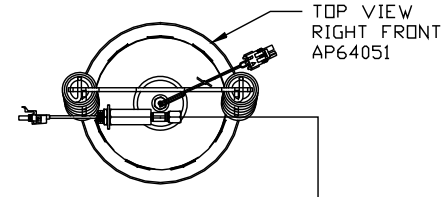


ORIENTATION
← FRONT

Ⓐ

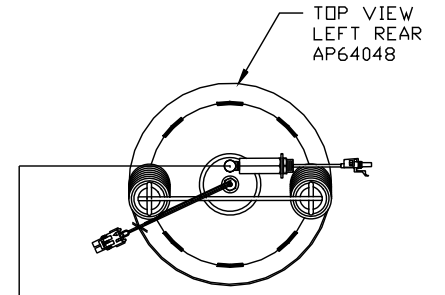
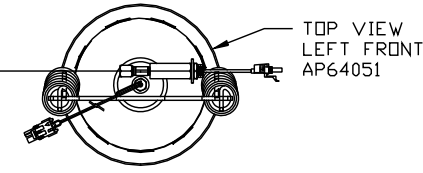


Ⓑ

- Ⓐ AP6216 HOSE ASSY 04 x 264"
- Ⓑ AP6116 HOSE ASSY 04 x 240"
- Ⓒ AP4162 HOSE ASSY 04 x 192"
- Ⓓ AP4061 HOSE ASSY 04 x 216"

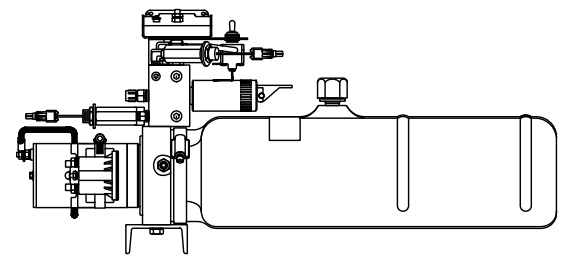
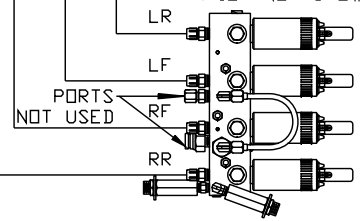
NOTE: CROSS TIES REQUIRED FOR FRONT AND REAR JACKS

Ⓒ



Ⓓ

TOP VIEW
MANIFOLD
(MIDM NOT SHOWN)



LOCATION AND ORIENTATION OF PUMP/MANIFOLD ASSEMBLY WILL DIFFER DEPENDING UPON O.E.M.

NOTE: INSTALLATION MUST CONFORM TO GOOD SHOP PRACTICES, SAE STANDARDS, RVIA STANDARDS, AND OTHER APPLICABLE STANDARDS.

LEVELING SYSTEM: AP64079

		HWH		I-80 EXIT 267 SOUTH RT 1 MOSCOW, IOWA 52760	
		SCALE 1:6	DATE 22MAR23	DRAWN BY .	
		HYD CONN DIAGRAM			
NO.	DATE	REVISION		DYNAMAX	
THE INFORMATION DISCLOSED ON THIS DRAWING IS CONFIDENTIAL AND MUST NOT BE DISCLOSED OR USED IN ANY MANNER WHICH WILL BE DETRIMENTAL TO THE HWH CORPORATION					
				DRAWING NUMBER MP71440	