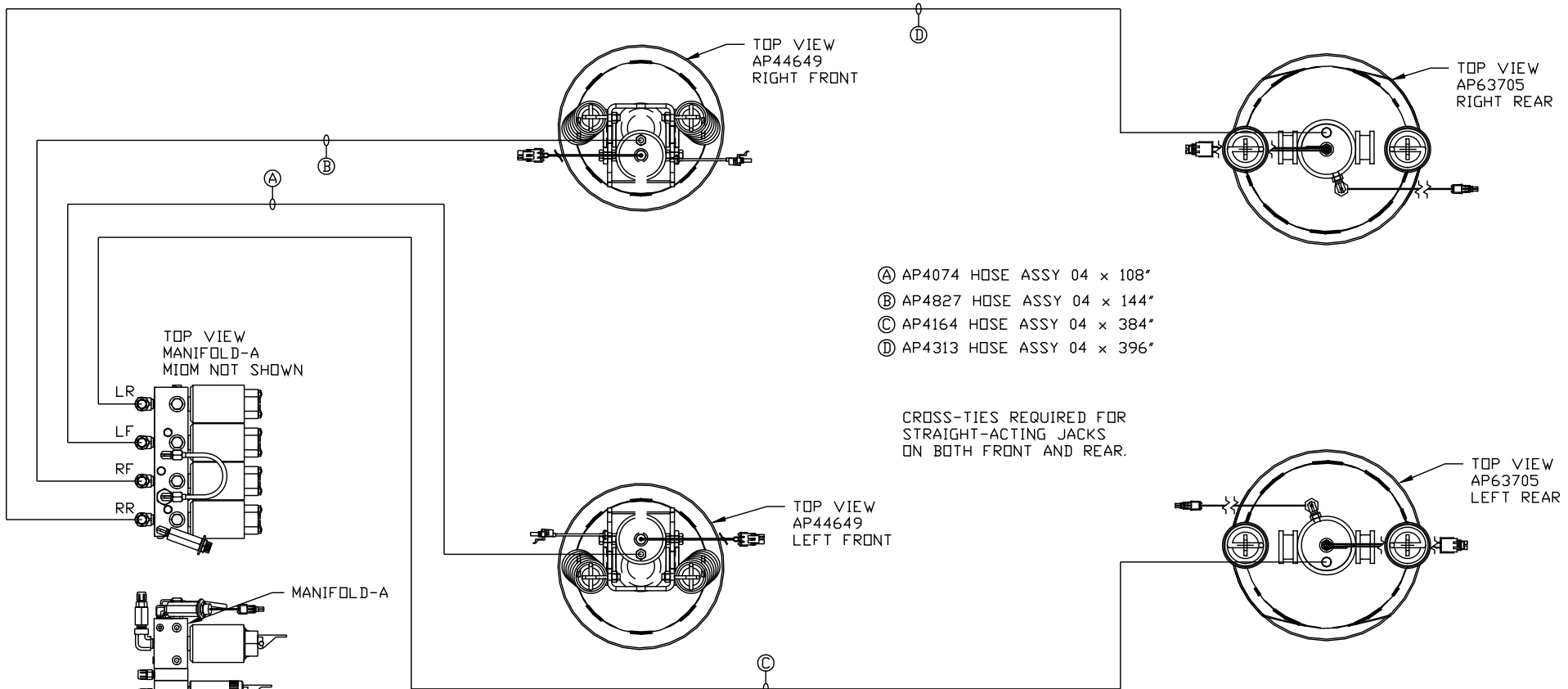
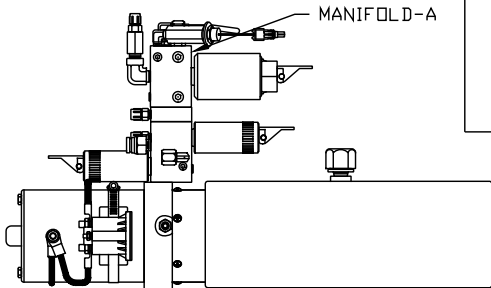


ORIENTATION  
 ← FRONT



- Ⓐ AP4074 HOSE ASSY 04 x 108"
- Ⓑ AP4827 HOSE ASSY 04 x 144"
- Ⓒ AP4164 HOSE ASSY 04 x 384"
- Ⓓ AP4313 HOSE ASSY 04 x 396"

CROSS-TIES REQUIRED FOR STRAIGHT-ACTING JACKS ON BOTH FRONT AND REAR.



SIDE VIEW PUMP/MANIFOLD-AP54806-01

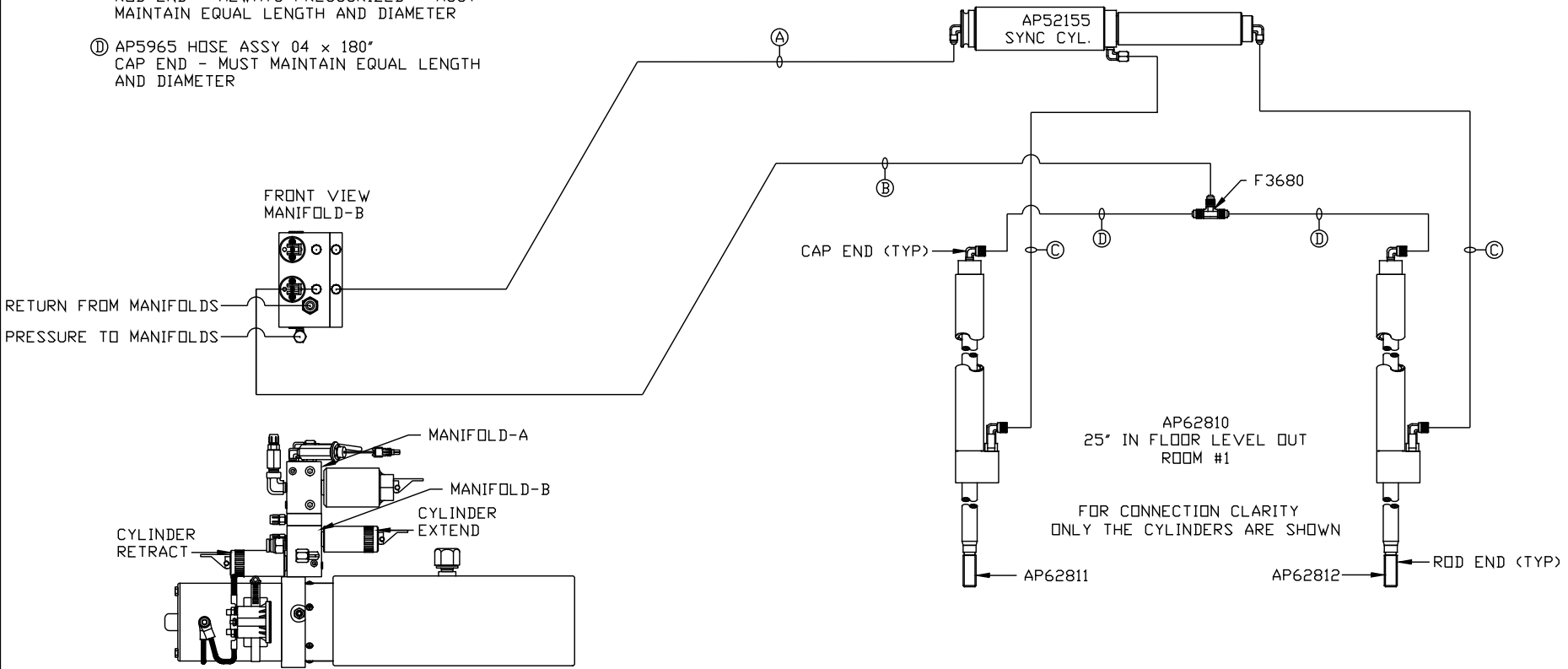
LOCATION AND ORIENTATION OF PUMP/MANIFOLD ASSEMBLY WILL DIFFER DEPENDING UPON O.E.M.

NOTE: INSTALLATION MUST CONFORM TO GOOD SHOP PRACTICES, SAE STANDARDS, RVIA STANDARDS, AND OTHER APPLICABLE STANDARDS.

SYNC KIT: AP63741 PUMP KIT: AP63636 JACK KIT: AP63754 JACK KIT: AP63677			NO.    DATE    REVISION	HWH    I-80 EXIT 267 SOUTH RT 1 MOSCOW, IOWA 52760 SCALE 1:6    DATE 09DEC22    DRAWN BY .
THE INFORMATION DISCLOSED ON THIS DRAWING IS CONFIDENTIAL AND MUST NOT BE DISCLOSED OR USED IN ANY MANNER WHICH WILL BE DETRIMENTAL TO THE HWH CORPORATION				HYD CONN DIAGRAM TIFFIN    DRAWING NUMBER MP71442 A/D

ORIENTATION  
 ← FRONT

- Ⓐ AP4074 HOSE ASSY 04 x 108"  
ROD END - ALWAYS PRESSURIZED
- Ⓑ AP4161 HOSE ASSY 04 x 120"  
CAP END
- Ⓒ AP49517 HOSE ASSY 03 x 180"  
ROD END - ALWAYS PRESSURIZED - MUST  
MAINTAIN EQUAL LENGTH AND DIAMETER
- Ⓓ AP5965 HOSE ASSY 04 x 180"  
CAP END - MUST MAINTAIN EQUAL LENGTH  
AND DIAMETER



AP62810  
 25" IN FLOOR LEVEL OUT  
 ROOM #1

FOR CONNECTION CLARITY  
 ONLY THE CYLINDERS ARE SHOWN

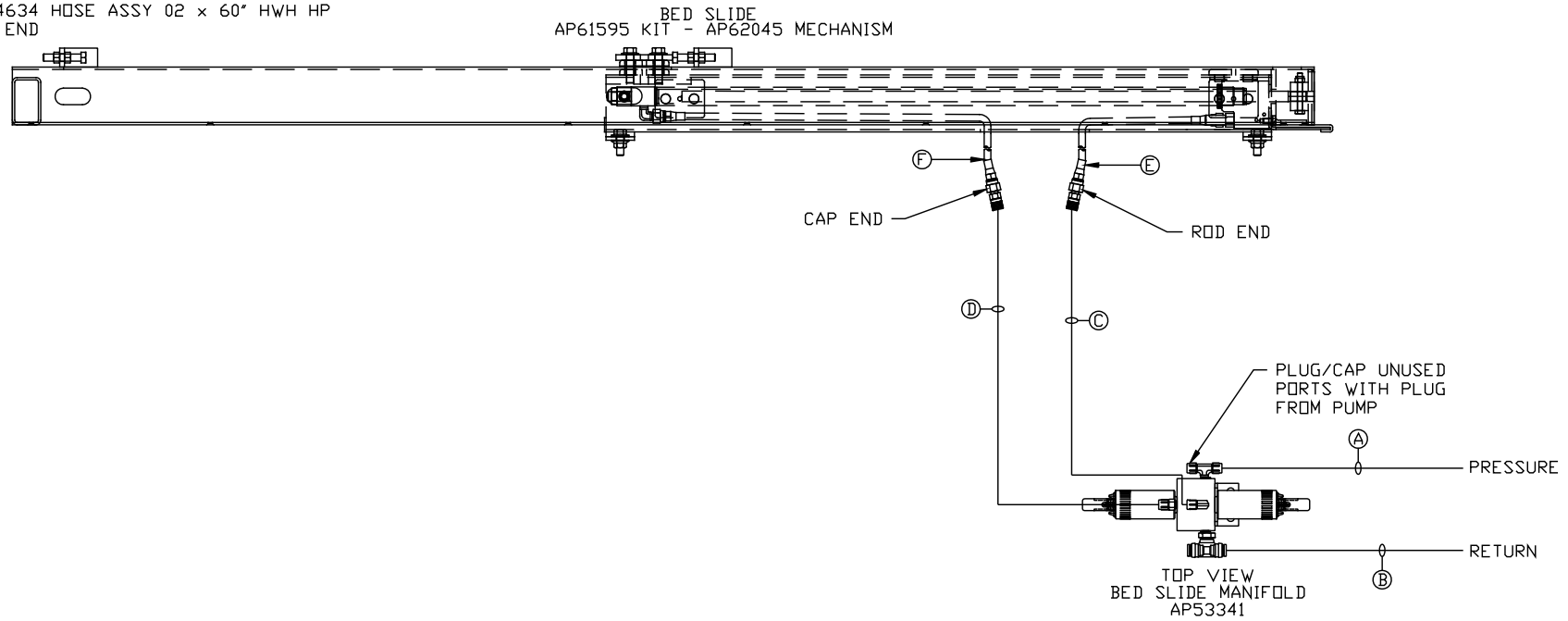
SIDE VIEW PUMP/MANIFOLD-AP54806-01

LOCATION AND ORIENTATION OF  
 PUMP/MANIFOLD ASSEMBLY WILL  
 DIFFER DEPENDING UPON O.E.M.

NOTE: INSTALLATION MUST CONFORM TO GOOD SHOP PRACTICES, SAE  
 STANDARDS, RVIA STANDARDS, AND OTHER APPLICABLE STANDARDS.

NOTE: HOSES (E) AND (F) ARE INCLUDED WITH THE ROOM EXTENSION MECHANISM

- (A) AP6218 HOSE ASSY 04 X 480" PRESSURE
- (B) P29287 NYLON TUBING 3/8" X 480" RETURN
- (C) AP4827 HOSE ASSY 04 X 144" ROD END - ALWAYS PRESSURIZED
- (D) AP4062 HOSE ASSY 04 X 132" CAP END
- (E) AP24630 HOSE ASSY 02 X 36" HWH HP ROD END - ALWAYS PRESSURIZED
- (F) AP24634 HOSE ASSY 02 X 60" HWH HP CAP END



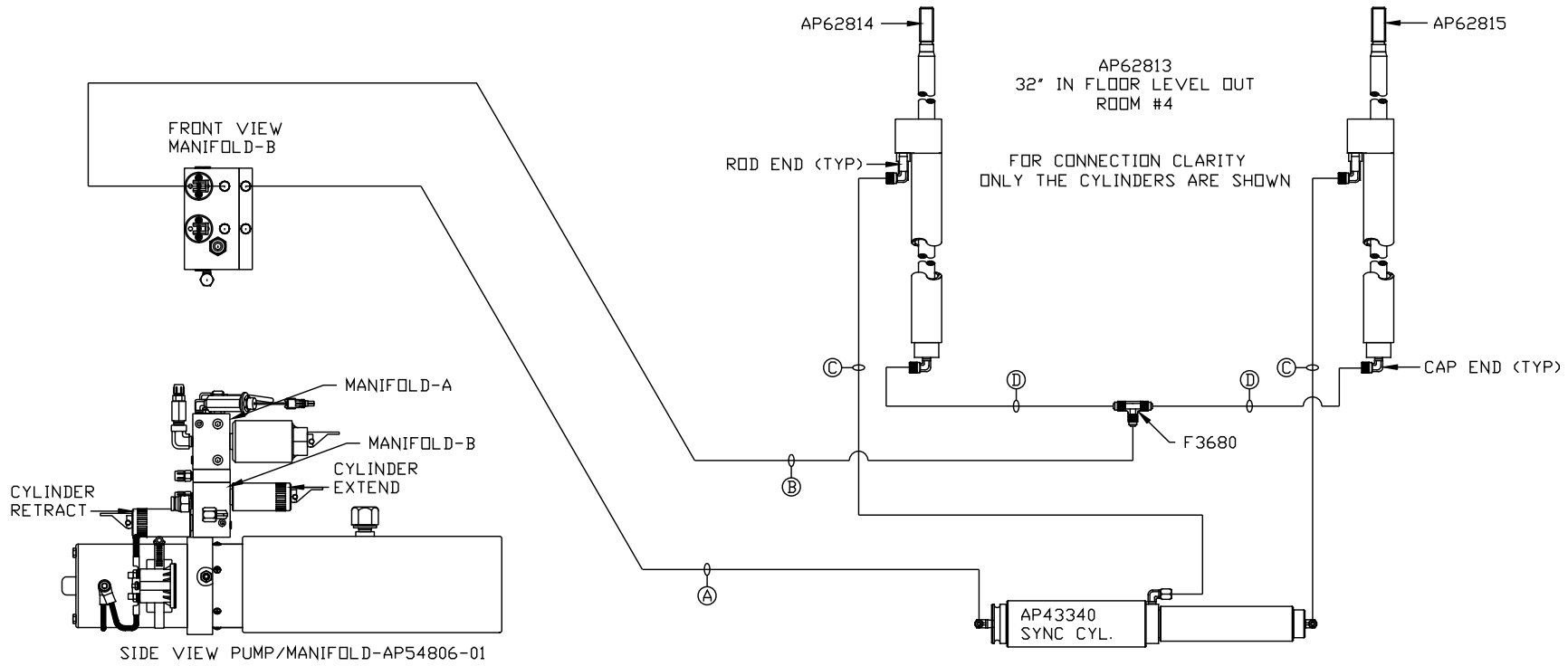
NOTE: INSTALLATION MUST CONFORM TO GOOD SHOP PRACTICES, SAE STANDARDS, RVIA STANDARDS, AND OTHER APPLICABLE STANDARDS.

MP71442 C/D  
09DEC22

ORIENTATION

← FRONT

- Ⓐ AP5352 HOSE ASSY 04 × 96"  
ROD END - ALWAYS PRESSURIZED
- Ⓑ AP10566 HOSE ASSY 04 × 102"  
CAP END
- Ⓒ AP53067 HOSE ASSY 03 × 276"  
ROD END - ALWAYS PRESSURIZED - MUST  
MAINTAIN EQUAL LENGTH AND DIAMETER
- Ⓓ AP5562 HOSE ASSY 04 × 276"  
CAP END - MUST MAINTAIN EQUAL LENGTH  
AND DIAMETER



SIDE VIEW PUMP/MANIFOLD-AP54806-01

LOCATION AND ORIENTATION OF  
PUMP/MANIFOLD ASSEMBLY WILL  
DIFFER DEPENDING UPON O.E.M.

NOTE: INSTALLATION MUST CONFORM TO GOOD SHOP PRACTICES, SAE  
STANDARDS, RVIA STANDARDS, AND OTHER APPLICABLE STANDARDS.