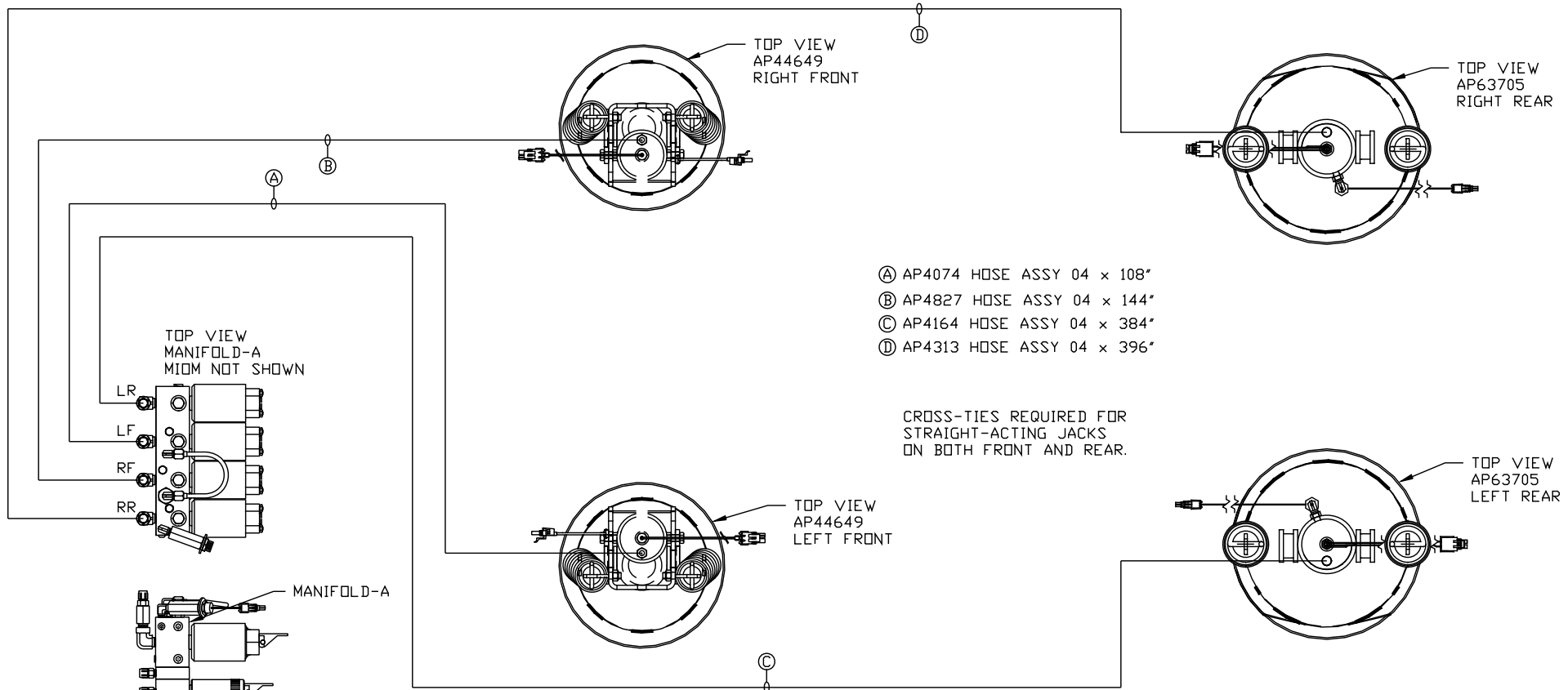


ORIENTATION

← FRONT



TOP VIEW  
MANIFOLD-A  
MIDM NOT SHOWN

LR

LF

RF

RR

MANIFOLD-A

TOP VIEW  
AP44649  
RIGHT FRONT

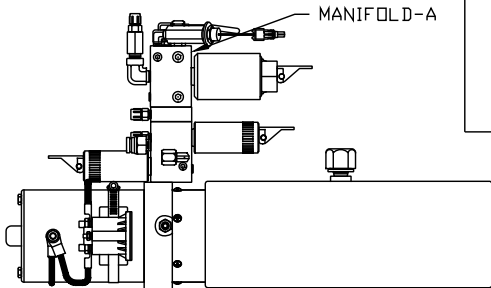
TOP VIEW  
AP63705  
RIGHT REAR

- A) AP4074 HOSE ASSY 04 x 108"
- B) AP4827 HOSE ASSY 04 x 144"
- C) AP4164 HOSE ASSY 04 x 384"
- D) AP4313 HOSE ASSY 04 x 396"

CROSS-TIES REQUIRED FOR  
STRAIGHT-ACTING JACKS  
ON BOTH FRONT AND REAR.

TOP VIEW  
AP44649  
LEFT FRONT

TOP VIEW  
AP63705  
LEFT REAR



SIDE VIEW PUMP/MANIFOLD-AP54806-01

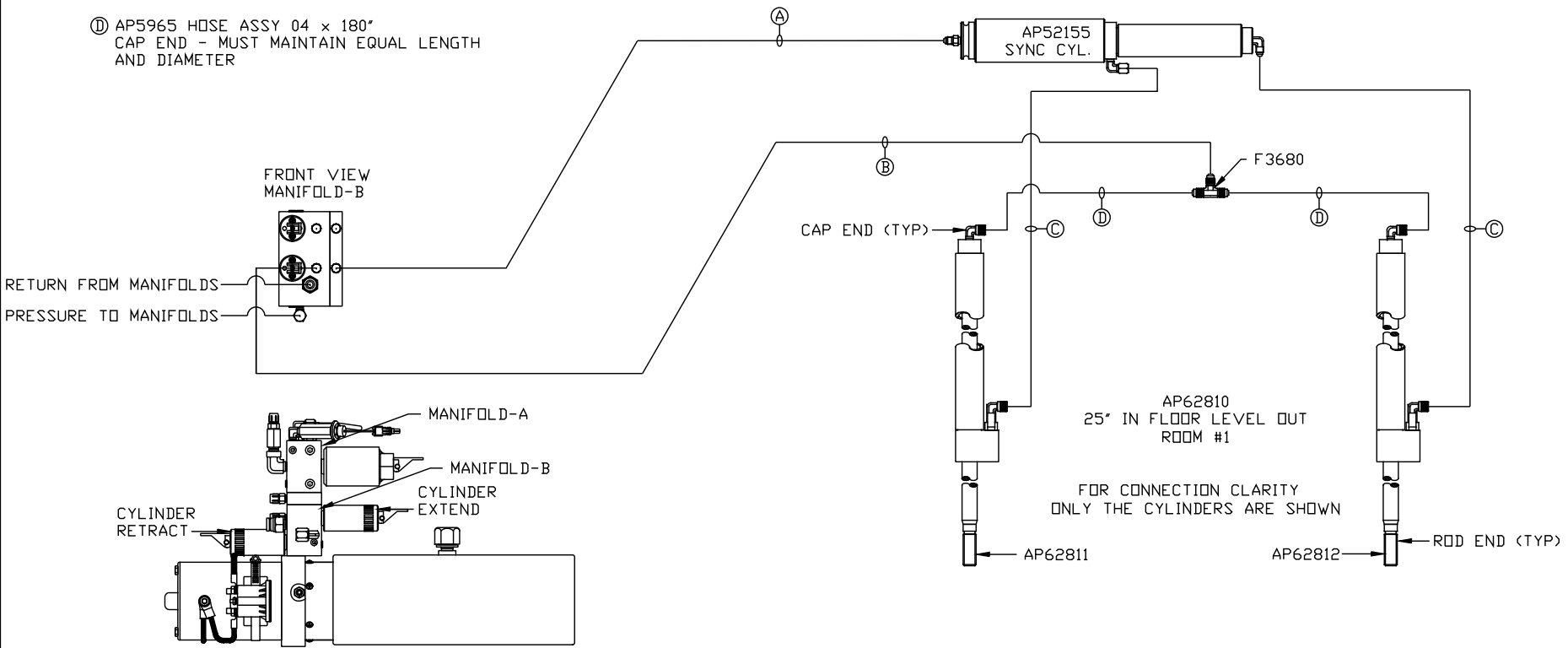
LOCATION AND ORIENTATION OF  
PUMP/MANIFOLD ASSEMBLY WILL  
DIFFER DEPENDING UPON O.E.M.

NOTE: INSTALLATION MUST CONFORM TO GOOD SHOP PRACTICES, SAE  
STANDARDS, RVIA STANDARDS, AND OTHER APPLICABLE STANDARDS.

SYNC KIT: AP63716		HWH		I-80 EXIT 267 SOUTH	
PUMP KIT: AP63636		NO.		RT 1 MOSCOW, IOWA 52760	
JACK KIT: AP63754		DATE		SCALE 1:6	
JACK KIT: AP63677		REVISION		DATE 09DEC22	
				DRAWN BY .	
		HYD CONN DIAGRAM			
		TIFFIN			DRAWING NUMBER
					MP71443 A/E

ORIENTATION  
 ← FRONT

- Ⓐ AP4074 HOSE ASSY 04 x 108"  
ROD END - ALWAYS PRESSURIZED
- Ⓑ AP4161 HOSE ASSY 04 x 120"  
CAP END
- Ⓒ AP49517 HOSE ASSY 03 x 180"  
ROD END - ALWAYS PRESSURIZED - MUST  
MAINTAIN EQUAL LENGTH AND DIAMETER
- Ⓓ AP5965 HOSE ASSY 04 x 180"  
CAP END - MUST MAINTAIN EQUAL LENGTH  
AND DIAMETER



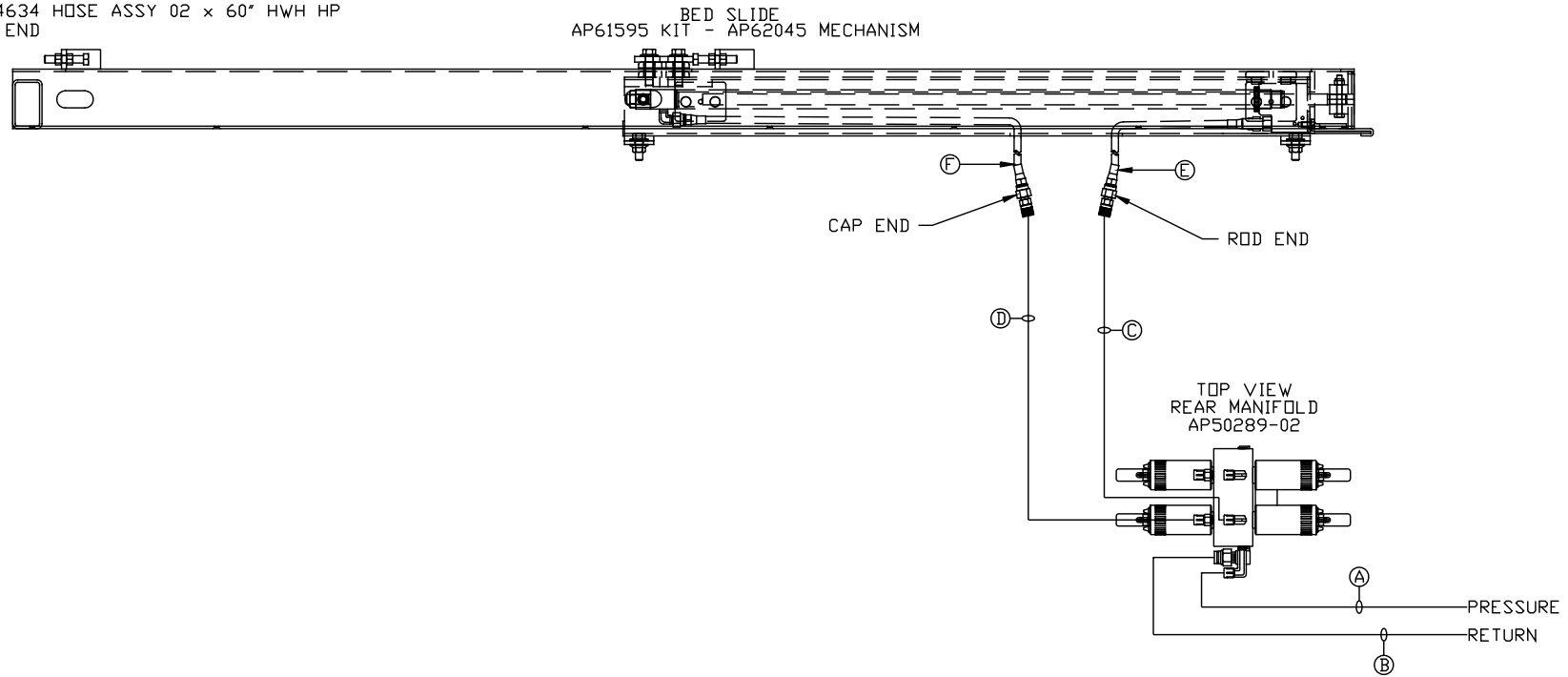
SIDE VIEW PUMP/MANIFOLD-AP54806-01

LOCATION AND ORIENTATION OF  
 PUMP/MANIFOLD ASSEMBLY WILL  
 DIFFER DEPENDING UPON O.E.M.

NOTE: INSTALLATION MUST CONFORM TO GOOD SHOP PRACTICES, SAE  
 STANDARDS, RVIA STANDARDS, AND OTHER APPLICABLE STANDARDS.

NOTE: HOSES (E) AND (F) ARE INCLUDED WITH THE ROOM EXTENSION MECHANISM

- (A) AP6218 HOSE ASSY 04 X 480" PRESSURE
- (B) P29287 NYLON TUBING 3/8" X 480" RETURN
- (C) AP5562 HOSE ASSY 04 X 276" ROD END - ALWAYS PRESSURIZED
- (D) AP6216 HOSE ASSY 04 X 264" CAP END
- (E) AP24630 HOSE ASSY 02 X 36" HWH HP ROD END - ALWAYS PRESSURIZED
- (F) AP24634 HOSE ASSY 02 X 60" HWH HP CAP END



NOTE: INSTALLATION MUST CONFORM TO GOOD SHOP PRACTICES, SAE STANDARDS, RVIA STANDARDS, AND OTHER APPLICABLE STANDARDS.

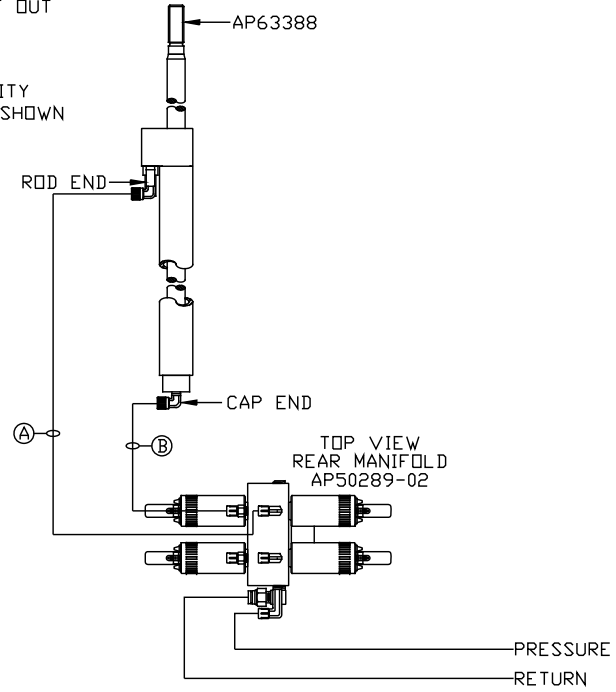
MP71443 C/E  
09DEC22

Ⓐ AP4827 HOSE ASSY 04 X 144"  
ROD END - ALWAYS PRESSURIZED

Ⓑ AP4062 HOSE ASSY 04 X 132"  
CAP END

AP63387  
18" IN FLOOR STRAIGHT OUT  
ROOM #3

FOR CONNECTION CLARITY  
ONLY THE CYLINDER IS SHOWN



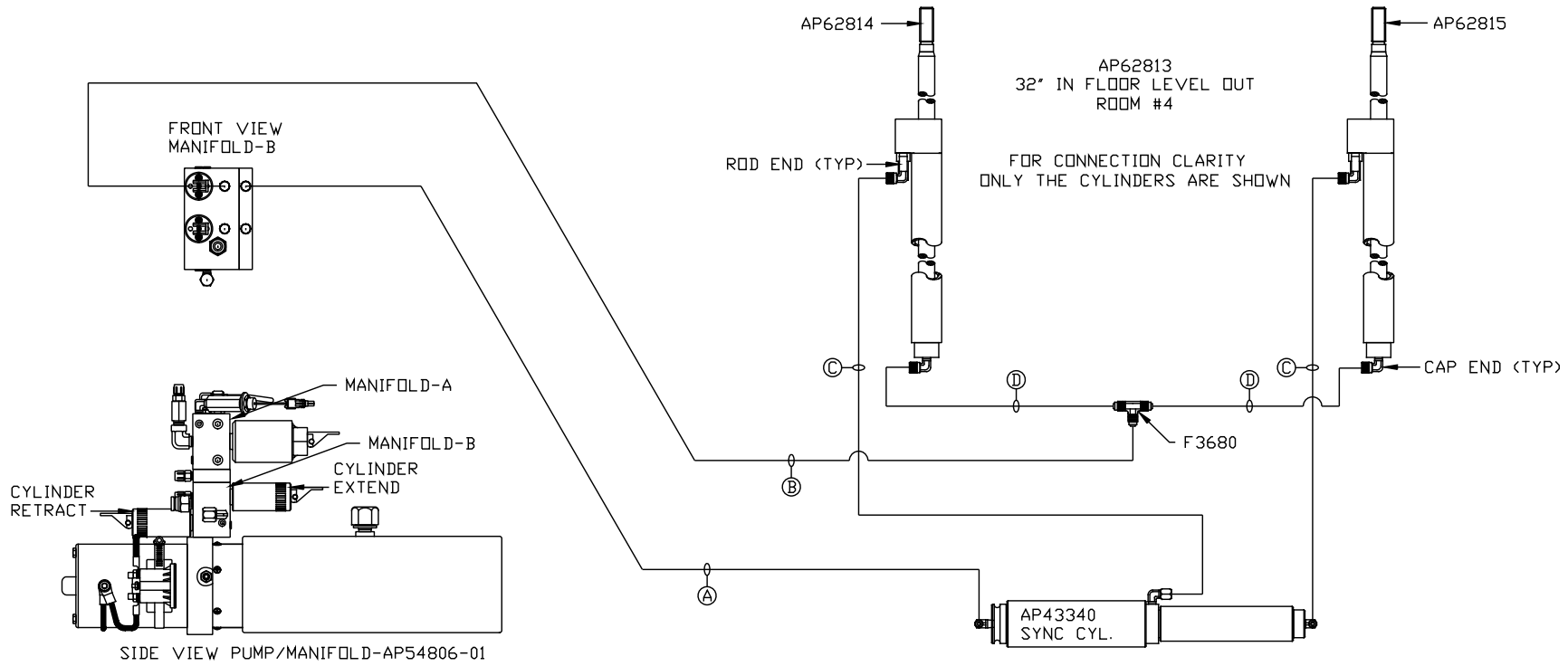
NOTE: INSTALLATION MUST CONFORM TO GOOD SHOP PRACTICES, SAE STANDARDS, RVIA STANDARDS, AND OTHER APPLICABLE STANDARDS.

MP71443 D/E  
09DEC22

ORIENTATION

← FRONT

- Ⓐ AP5352 HOSE ASSY 04 × 96"  
ROD END - ALWAYS PRESSURIZED
- Ⓑ AP10566 HOSE ASSY 04 × 102"  
CAP END
- Ⓒ AP51589 HOSE ASSY 03 × 228"  
ROD END - ALWAYS PRESSURIZED - MUST  
MAINTAIN EQUAL LENGTH AND DIAMETER
- Ⓓ AP5924 HOSE ASSY 04 × 228"  
CAP END - MUST MAINTAIN EQUAL LENGTH  
AND DIAMETER



SIDE VIEW PUMP/MANIFOLD-AP54806-01  
 LOCATION AND ORIENTATION OF  
 PUMP/MANIFOLD ASSEMBLY WILL  
 DIFFER DEPENDING UPON O.E.M.

NOTE: INSTALLATION MUST CONFORM TO GOOD SHOP PRACTICES, SAE  
 STANDARDS, RVIA STANDARDS, AND OTHER APPLICABLE STANDARDS.