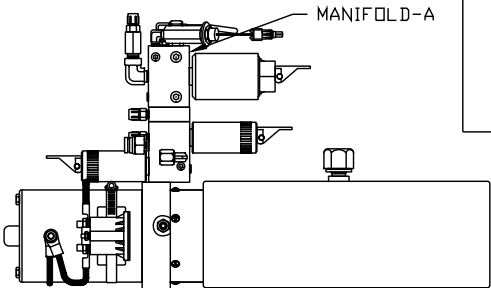
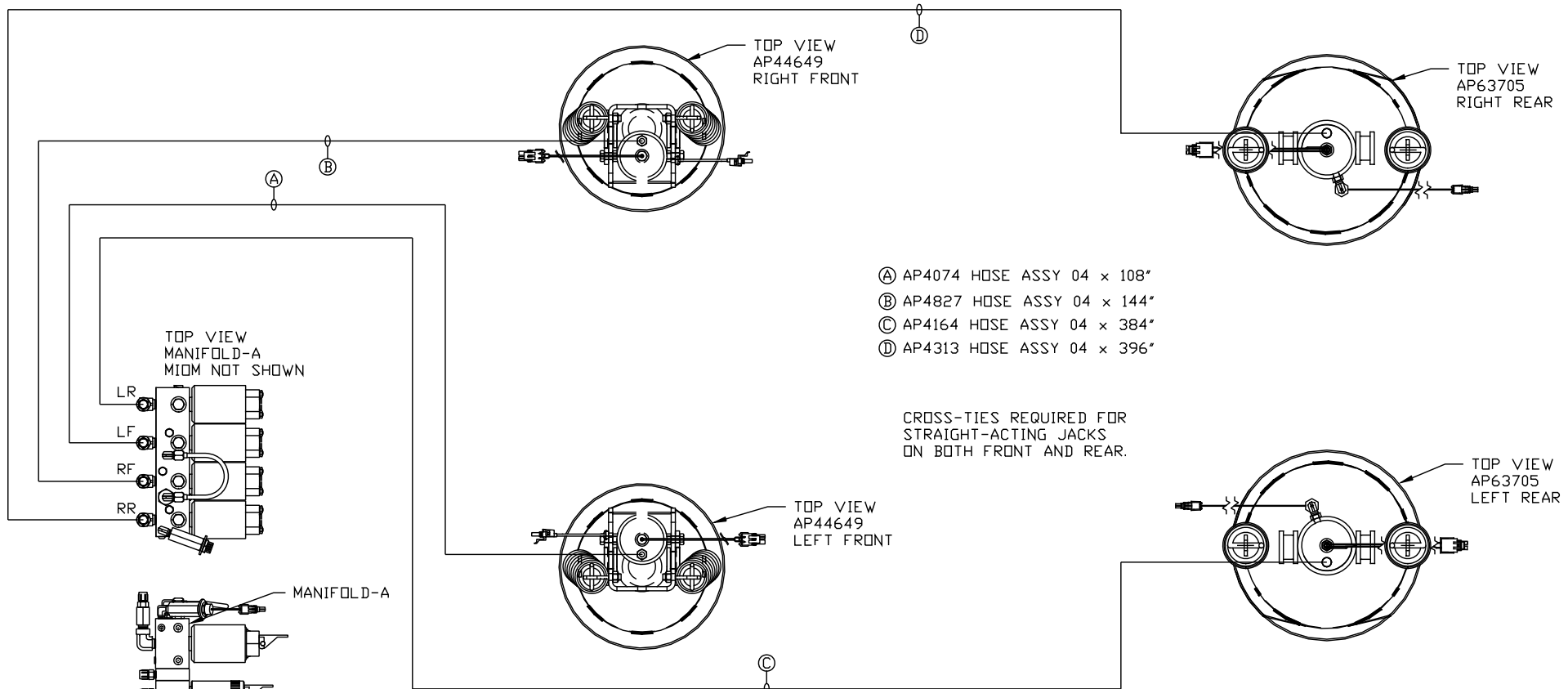


ORIENTATION

← FRONT



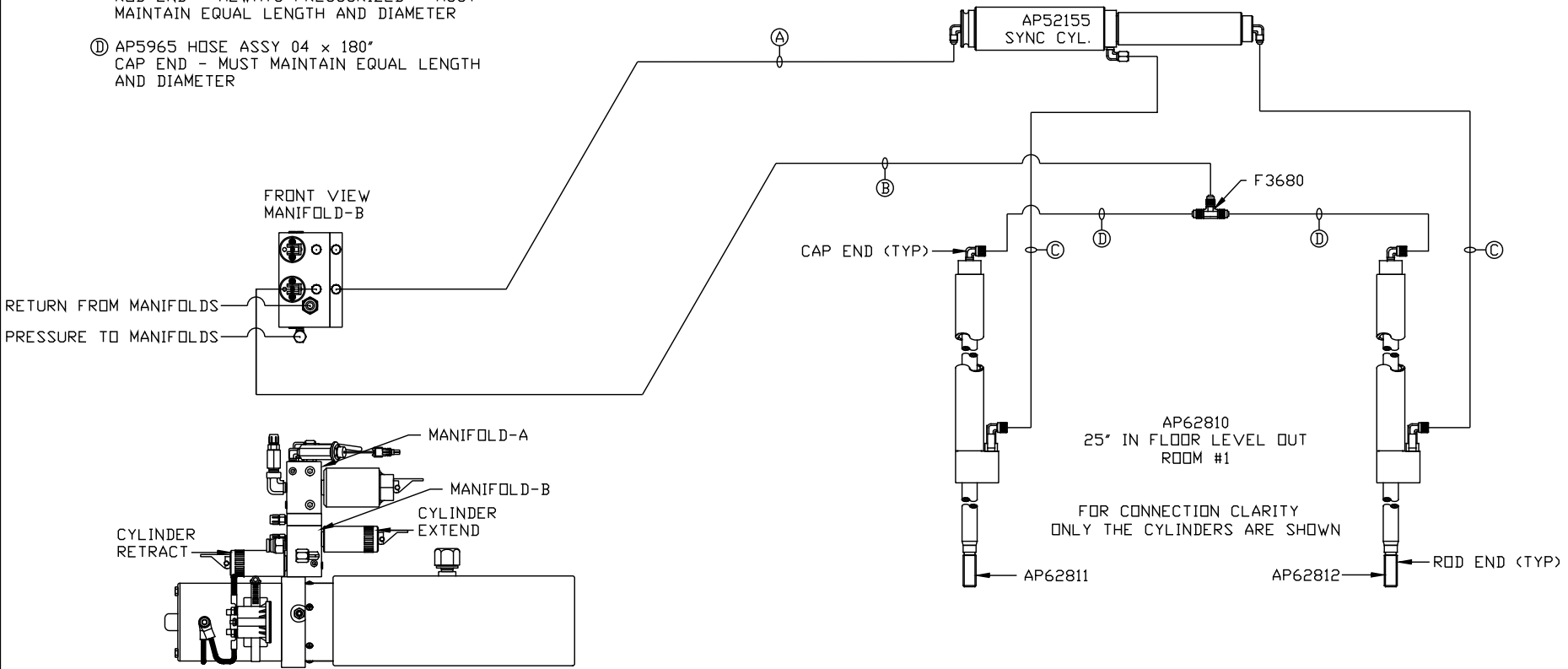
LOCATION AND ORIENTATION OF PUMP/MANIFOLD ASSEMBLY WILL DIFFER DEPENDING UPON O.E.M.

NOTE: INSTALLATION MUST CONFORM TO GOOD SHOP PRACTICES, SAE STANDARDS, RVIA STANDARDS, AND OTHER APPLICABLE STANDARDS.

SYNC KIT: AP63741				HWH		I-80 EXIT 267 SOUTH	
PUMP KIT: AP63636						RT 1 MOSCOW, IOWA 52760	
JACK KIT: AP63754		NO. DATE REVISION		SCALE 1:6		DATE 09DEC22 DRAWN BY .	
JACK KIT: AP63677		THE INFORMATION DISCLOSED ON THIS DRAWING IS CONFIDENTIAL AND MUST NOT BE DISCLOSED OR USED IN ANY MANNER WHICH WILL BE DETRIMENTAL TO THE HWH CORPORATION		HYD CONN DIAGRAM		DRAWING NUMBER	
				TIFFIN		MP71444 A/D	

ORIENTATION
 ← FRONT

- Ⓐ AP4074 HOSE ASSY 04 x 108"
ROD END - ALWAYS PRESSURIZED
- Ⓑ AP4161 HOSE ASSY 04 x 120"
CAP END
- Ⓒ AP49517 HOSE ASSY 03 x 180"
ROD END - ALWAYS PRESSURIZED - MUST
MAINTAIN EQUAL LENGTH AND DIAMETER
- Ⓓ AP5965 HOSE ASSY 04 x 180"
CAP END - MUST MAINTAIN EQUAL LENGTH
AND DIAMETER



AP62810
 25" IN FLOOR LEVEL OUT
 ROOM #1

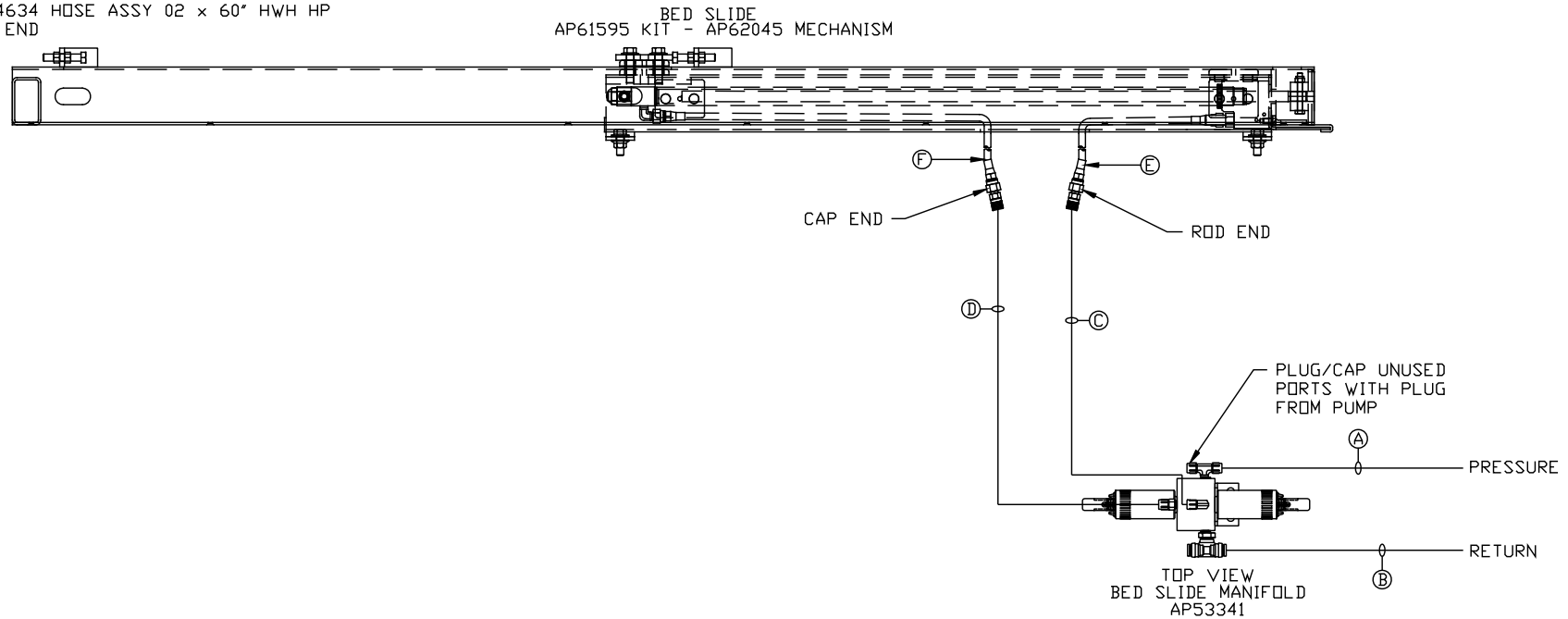
FOR CONNECTION CLARITY
 ONLY THE CYLINDERS ARE SHOWN

SIDE VIEW PUMP/MANIFOLD-AP54806-01
 LOCATION AND ORIENTATION OF
 PUMP/MANIFOLD ASSEMBLY WILL
 DIFFER DEPENDING UPON O.E.M.

NOTE: INSTALLATION MUST CONFORM TO GOOD SHOP PRACTICES, SAE
 STANDARDS, RVIA STANDARDS, AND OTHER APPLICABLE STANDARDS.

NOTE: HOSES (E) AND (F) ARE INCLUDED WITH THE ROOM EXTENSION MECHANISM

- (A) AP6218 HOSE ASSY 04 X 480" PRESSURE
- (B) P29287 NYLON TUBING 3/8" X 480" RETURN
- (C) AP4827 HOSE ASSY 04 X 144" ROD END - ALWAYS PRESSURIZED
- (D) AP4062 HOSE ASSY 04 X 132" CAP END
- (E) AP24630 HOSE ASSY 02 X 36" HWH HP ROD END - ALWAYS PRESSURIZED
- (F) AP24634 HOSE ASSY 02 X 60" HWH HP CAP END



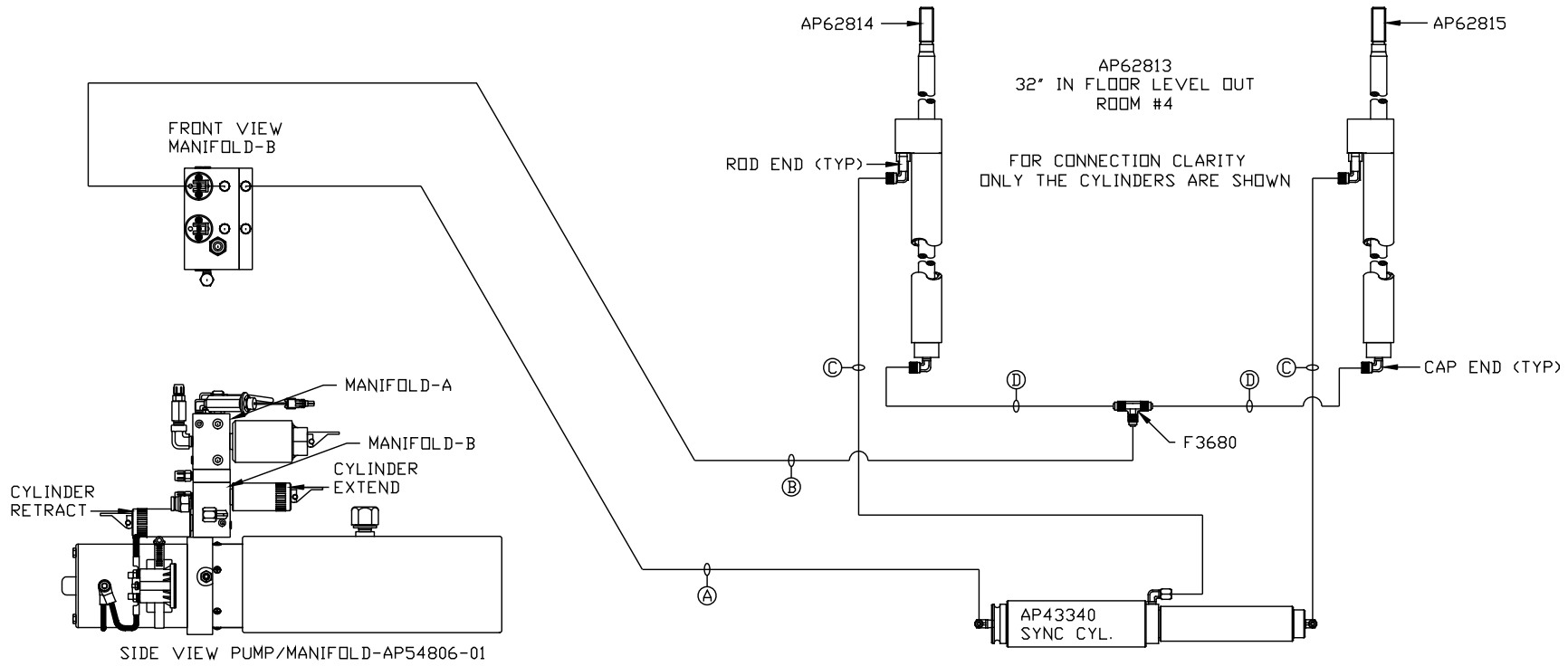
NOTE: INSTALLATION MUST CONFORM TO GOOD SHOP PRACTICES, SAE STANDARDS, RVIA STANDARDS, AND OTHER APPLICABLE STANDARDS.

MP71444 C/D
09DEC22

ORIENTATION

← FRONT

- Ⓐ AP5352 HOSE ASSY 04 × 96"
ROD END - ALWAYS PRESSURIZED
- Ⓑ AP10566 HOSE ASSY 04 × 102"
CAP END
- Ⓒ AP53067 HOSE ASSY 03 × 276"
ROD END - ALWAYS PRESSURIZED - MUST
MAINTAIN EQUAL LENGTH AND DIAMETER
- Ⓓ AP5562 HOSE ASSY 04 × 276"
CAP END - MUST MAINTAIN EQUAL LENGTH
AND DIAMETER



SIDE VIEW PUMP/MANIFOLD-AP54806-01

LOCATION AND ORIENTATION OF
PUMP/MANIFOLD ASSEMBLY WILL
DIFFER DEPENDING UPON O.E.M.

NOTE: INSTALLATION MUST CONFORM TO GOOD SHOP PRACTICES, SAE
STANDARDS, RVIA STANDARDS, AND OTHER APPLICABLE STANDARDS.