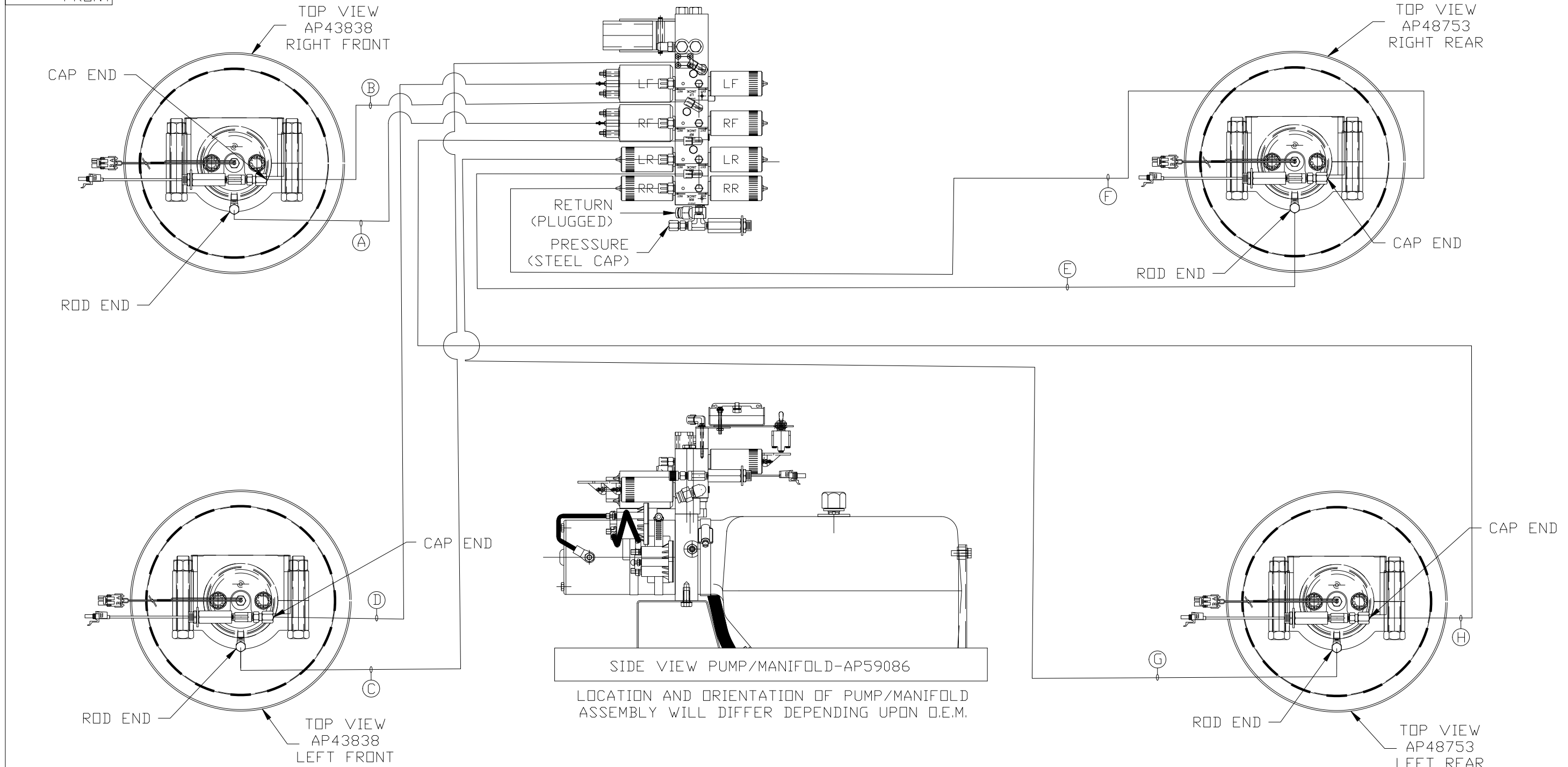


ORIENTATION

← FRONT



- (A) AP4163 HOSE 04X360" RF ROD END
- (B) AP8381 HOSE 05X360" RF CAP END
- (C) AP4163 HOSE 04X360" LF ROD END
- (D) AP8381 HOSE 05X360" LF CAP END
- (E) AP2464 HOSE 04X324" RR ROD END
- (F) AP17476 HOSE 05X324" RR CAP END
- (G) AP2464 HOSE 04X324" LR ROD END
- (H) AP17476 HOSE 05X324" LR CAP END

NOTE: INSTALLATION MUST CONFORM TO GOOD SHOP PRACTICES, SAE STANDARDS, RVIA STANDARDS, AND OTHER APPLICABLE STANDARDS.

JOB 18924  
LEVELING SYSTEM AP64165

NO.	DATE	REVISION

THE INFORMATION DISCLOSED ON THIS DRAWING IS CONFIDENTIAL AND MUST NOT BE DISCLOSED OR USED IN ANY MANNER WHICH WILL BE DETRIMENTAL TO THE HWH CORPORATION

HWH I-80 EXIT 267 SOUTH  
RT 1 MOSCOW, IOWA 52760

SCALE 1:6 DATE 18SEP23 DRAWN BY .

HYD CONN DIAGRAM

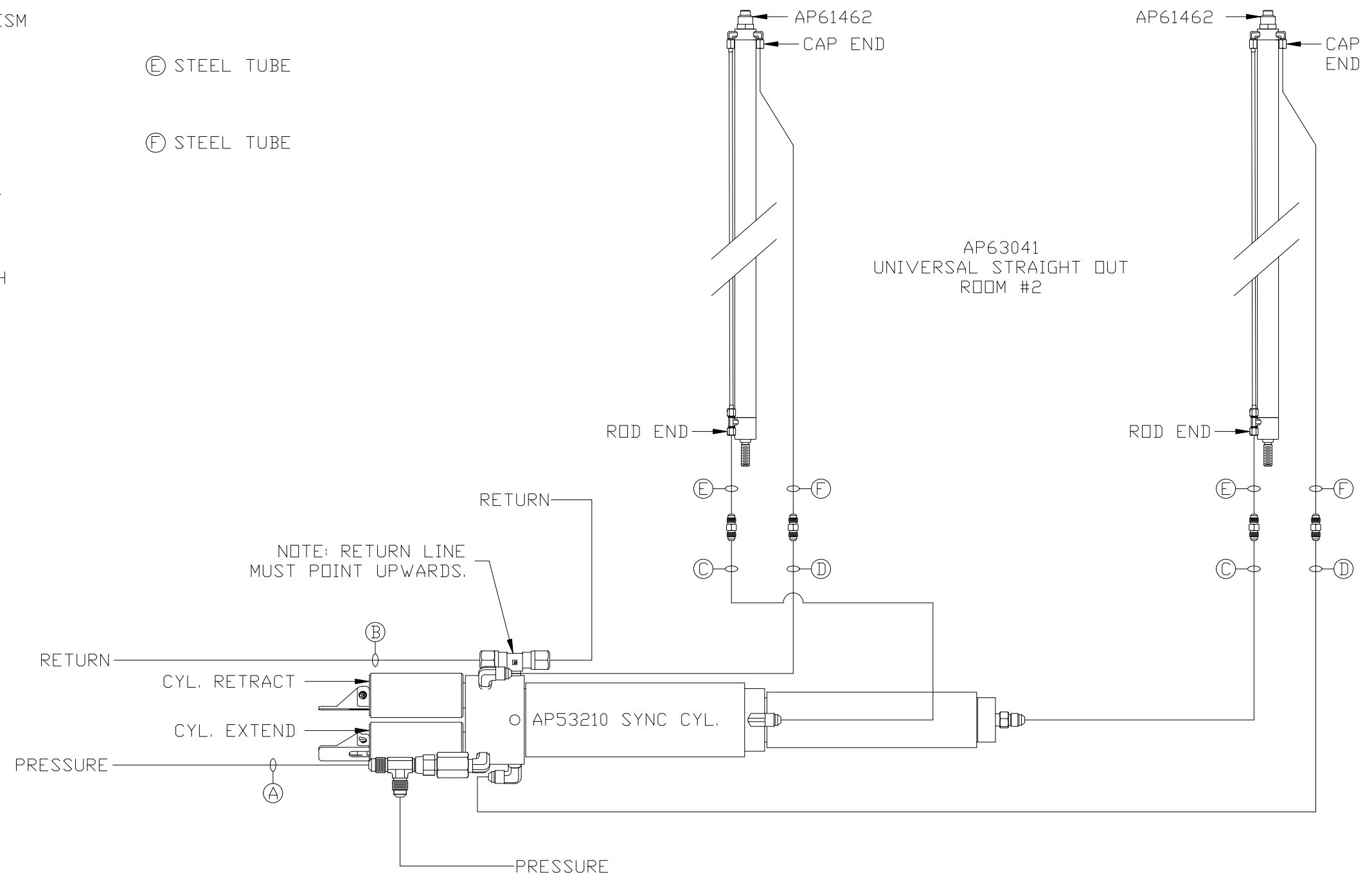
ITB DRAWING NUMBER  
MP71453 A/C

NOTE: (E) AND (F) ARE INCLUDED WITH THE ROOM EXTENSION MECHANISM

- (A) AP4161 HOSE ASSY 04 X 120" PRESSURE
- (B) NYLON TUBING 3/8" RETURN
- (C) AP49247 HOSE ASSY 03 X 240" ROD END - ALWAYS PRESSURIZED - MUST MAINTAIN EQUAL LENGTH AND DIAMETER
- (D) AP6116 HOSE ASSY 04 X 240" CAP END - MUST MAINTAIN EQUAL LENGTH AND DIAMETER

(E) STEEL TUBE

(F) STEEL TUBE



NOTE: (E) AND (F) ARE INCLUDED WITH THE ROOM EXTENSION MECHANISM

- (A) AP5965 HOSE ASSY 04 X 180" PRESSURE
- (B) NYLON TUBING 3/8" RETURN
- (C) AP49247 HOSE ASSY 03 X 240" ROD END - ALWAYS PRESSURIZED - MUST MAINTAIN EQUAL LENGTH AND DIAMETER
- (D) AP6116 HOSE ASSY 04 X 240" CAP END - MUST MAINTAIN EQUAL LENGTH AND DIAMETER

(E) STEEL TUBE

(F) STEEL TUBE

