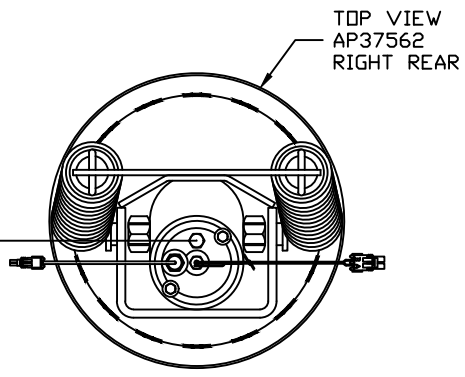
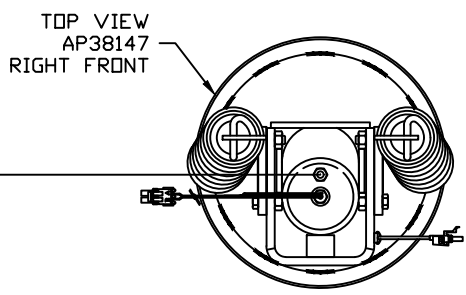
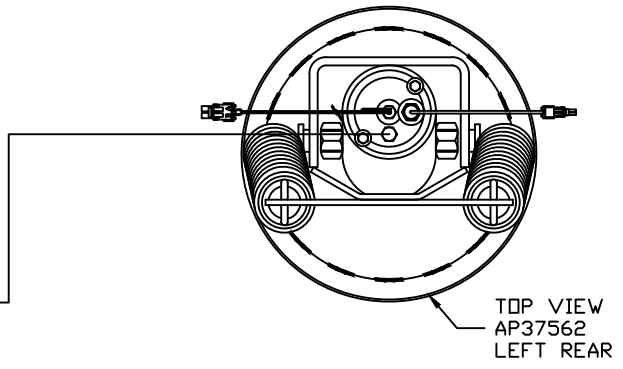
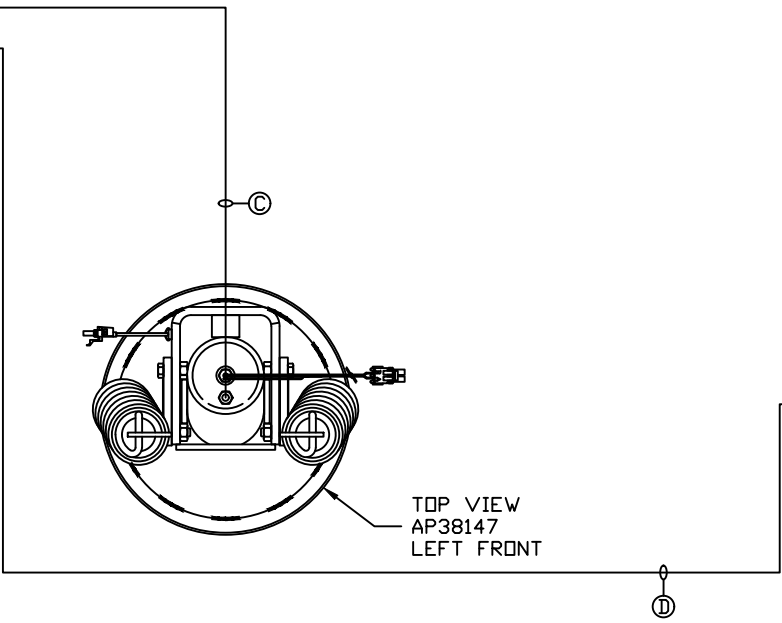
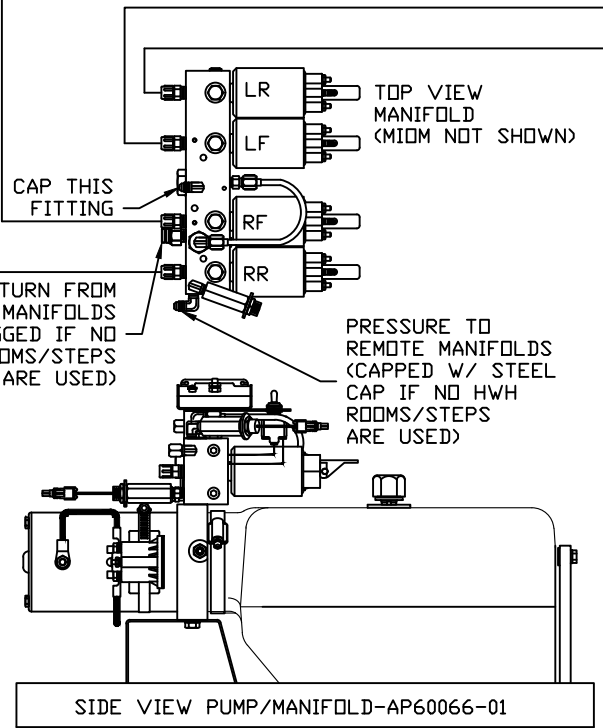


ORIENTATION  
FRONT



- Ⓐ AP54016 HOSE ASSY 05 X 372"
- Ⓑ AP2464 HOSE ASSY 04 X 324"
- Ⓒ AP6216 HOSE ASSY 04 X 264"
- Ⓓ AP54015 HOSE ASSY 05 X 336"

CROSS TIES REQUIRED FOR  
FRONT AND REAR JACKS



LOCATION AND ORIENTATION OF  
PUMP/MANIFOLD ASSEMBLY WILL  
DIFFER DEPENDING UPON O.E.M.

NOTE: INSTALLATION MUST CONFORM TO GOOD SHOP PRACTICES, SAE  
STANDARDS, RVIA STANDARDS, AND OTHER APPLICABLE STANDARDS.

LEVELING SYSTEM: AP64206

NO.	DATE	REVISION
THE INFORMATION DISCLOSED ON THIS DRAWING IS CONFIDENTIAL AND MUST NOT BE DISCLOSED OR USED IN ANY MANNER WHICH WILL BE DETRIMENTAL TO THE HWH CORPORATION		

HWH		I-80 EXIT 267 SOUTH	
		RT 1 MOSCOW, IOWA 52760	
SCALE 1:6	DATE 19SEP23	DRAWN BY .	
HYD CONN DIAGRAM			
ITB			DRAWING NUMBER MP71458