

- AP64211 HOSE KIT RM1/UPLD/FRNT
- (A) AP4827 HOSE ASSY 04 x 144" PRESSURE
 - (B) P5145 NYLON TUBING 3/8" x 180" RETURN
 - (C) AP49247 HOSE ASSY 03 x 240" ROD END - ALWAYS PRESSURIZED - MUST BE HIGH PRESSURE HOSES OF EQUAL LENGTH AND DIAMETER
 - (D) AP4063 HOSE ASSY 04 x 288" CAP END - MUST MAINTAIN EQUAL LENGTH AND DIAMETER
 - (I) AP5965 HOSE ASSY 04 x 180" CAP END (LIFT)
 - (J) AP49517 HOSE ASSY 03 x 180" CAP END (ROOM)
 - (K) AP49517 HOSE ASSY 03 x 180" CAP END (ROOM)
 - (L) AP49517 HOSE ASSY 03 x 180" ROD END (LIFT) - ALWAYS PRESSURIZED
 - (M) AP49517 HOSE ASSY 03 x 180" CAP END (LIFT)
 - (N) AP6116 HOSE ASSY 04 x 240" ROD END - ALWAYS PRESSURIZED (LIFT)
 - (O) AP49517 HOSE ASSY 03 x 180" ROD END (LIFT) - ALWAYS PRESSURIZED
 - (P) AP49517 HOSE ASSY 03 x 180" CAP END LIFT
 - (U) STEEL TUBE CAP END (LIFT)

*NOTE: ISOLATED PRESSURE IF AVAILABLE, SEE LEVELING SYSTEM DIAGRAM

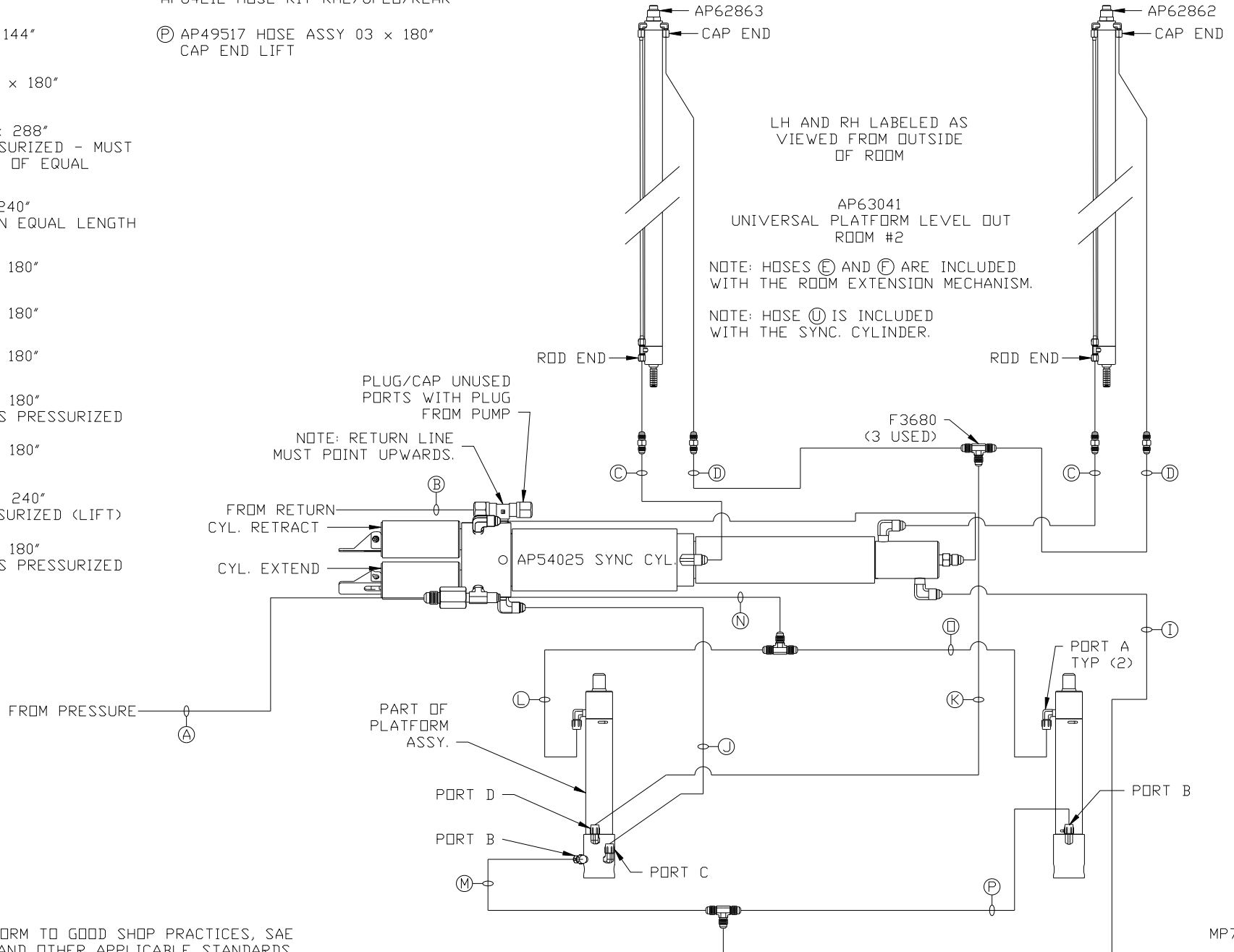
NOTE: INSTALLATION MUST CONFORM TO GOOD SHOP PRACTICES, SAE STANDARDS, RVIA STANDARDS, AND OTHER APPLICABLE STANDARDS.

			HWH		I-80 EXIT 267 SOUTH RT 1 MOSCOW, IOWA 52760	
			SCALE 1:6	DATE 19SEP23	DRAWN BY .	
			HYD CONN DIAGRAM			
NO.	DATE	REVISION				
THE INFORMATION DISCLOSED ON THIS DRAWING IS CONFIDENTIAL AND MUST NOT BE DISCLOSED OR USED IN ANY MANNER WHICH WILL BE DETRIMENTAL TO THE HWH CORPORATION			ITB		DRAWING NUMBER MP71459 A/B	

AP64212 HOSE KIT RM2/UPLD/REAR

- Ⓐ AP4827 HOSE ASSY 04 × 144" PRESSURE
- Ⓑ P5145 TUBING NYLON 3/8 × 180" RETURN
- Ⓒ AP49248 HOSE ASSY 03 × 288" ROD END - ALWAYS PRESSURIZED - MUST BE HIGH PRESSURE HOSES OF EQUAL LENGTH AND DIAMETER
- Ⓓ AP6116 HOSE ASSY 04 × 240" CAP END - MUST MAINTAIN EQUAL LENGTH AND DIAMETER
- Ⓘ AP49517 HOSE ASSY 03 × 180" CAP END (LIFT)
- Ⓝ AP49517 HOSE ASSY 03 × 180" CAP END (ROOM)
- Ⓚ AP49517 HOSE ASSY 03 × 180" CAP END (ROOM)
- Ⓛ AP49517 HOSE ASSY 03 × 180" ROD END (LIFT) - ALWAYS PRESSURIZED
- Ⓜ AP49517 HOSE ASSY 03 × 180" CAP END (LIFT)
- Ⓝ AP49247 HOSE ASSY 04 × 240" ROD END - ALWAYS PRESSURIZED (LIFT)
- Ⓟ AP49517 HOSE ASSY 03 × 180" ROD END (LIFT) - ALWAYS PRESSURIZED

- Ⓟ AP49517 HOSE ASSY 03 × 180" CAP END LIFT



NOTE: INSTALLATION MUST CONFORM TO GOOD SHOP PRACTICES, SAE STANDARDS, RVIA STANDARDS, AND OTHER APPLICABLE STANDARDS.

MP71459 B/B
19SEP23