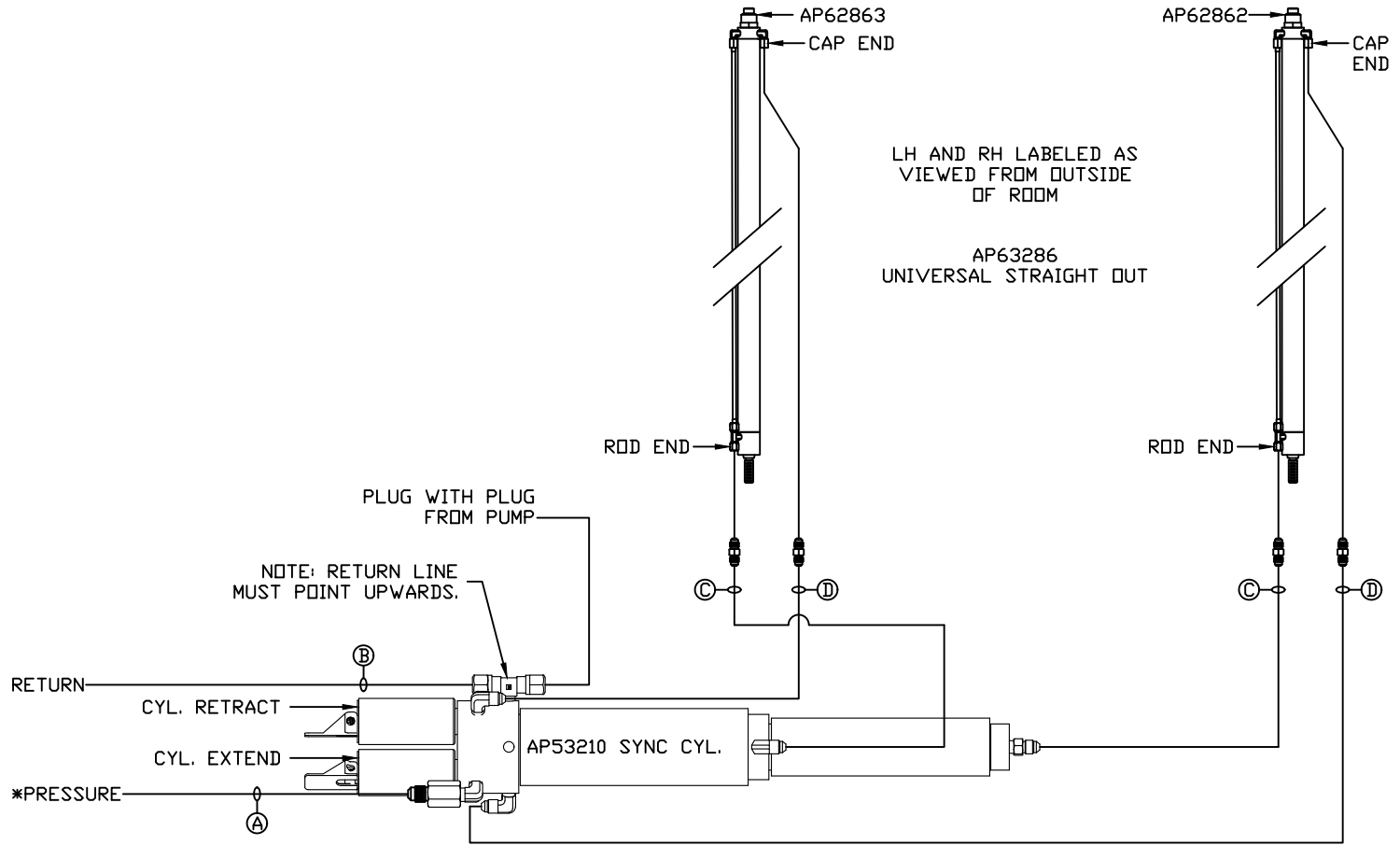


AP64174 HOSE KIT 1RM/USD

- Ⓐ AP5965 HOSE ASSY 04 X 180" PRESSURE
- Ⓑ P5145 TUBING NYLON 3/8" OD X 180" RETURN
- Ⓒ AP49243 HOSE ASSY 03 X 60" ROD END - ALWAYS PRESSURIZED - MUST MAINTAIN EQUAL LENGTH AND DIAMETER
- Ⓓ AP5351 HOSE ASSY 04 x 66" CAP END - MUST MAINTAIN EQUAL LENGTH AND DIAMETER



*NOTE: ISOLATED PRESSURE IF AVAILABLE, SEE LEVELING SYSTEM DIAGRAM

NOTE: INSTALLATION MUST CONFORM TO GOOD SHOP PRACTICES, SAE STANDARDS, RVIA STANDARDS, AND OTHER APPLICABLE STANDARDS.

LEVELING SYSTEM: AP64155

		HWH I-80 EXIT 267 SOUTH RT 1 MOSCOW, IOWA 52760	
		SCALE 1:6	DATE 19SEP23
		DRAWN BY .	
NO.	DATE	REVISION	
		HYD CONN DIAGRAM	
		ITB	DRAWING NUMBER MP71460

THE INFORMATION DISCLOSED ON THIS DRAWING IS CONFIDENTIAL AND MUST NOT BE DISCLOSED OR USED IN ANY MANNER WHICH WILL BE DETRIMENTAL TO THE HWH CORPORATION