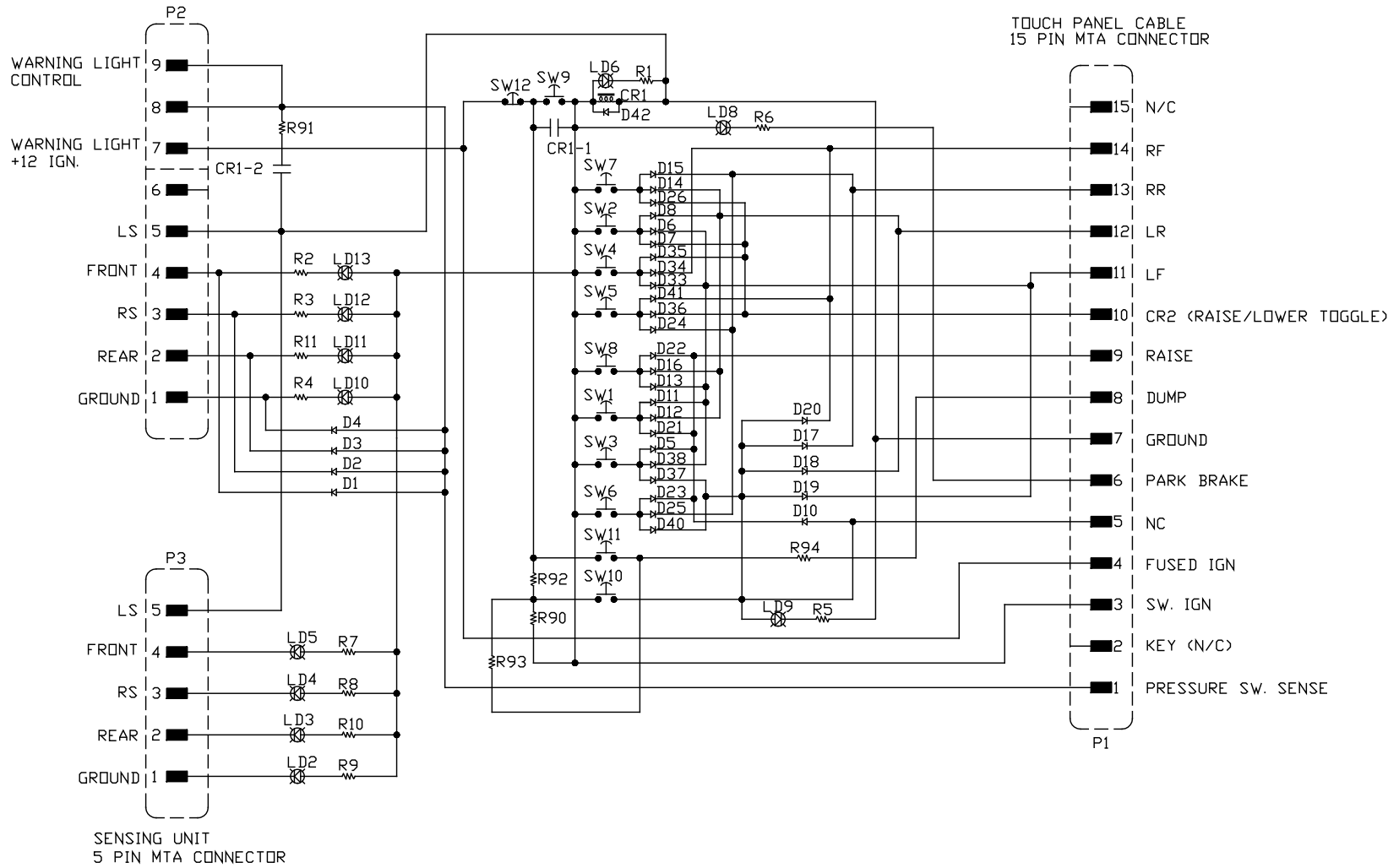
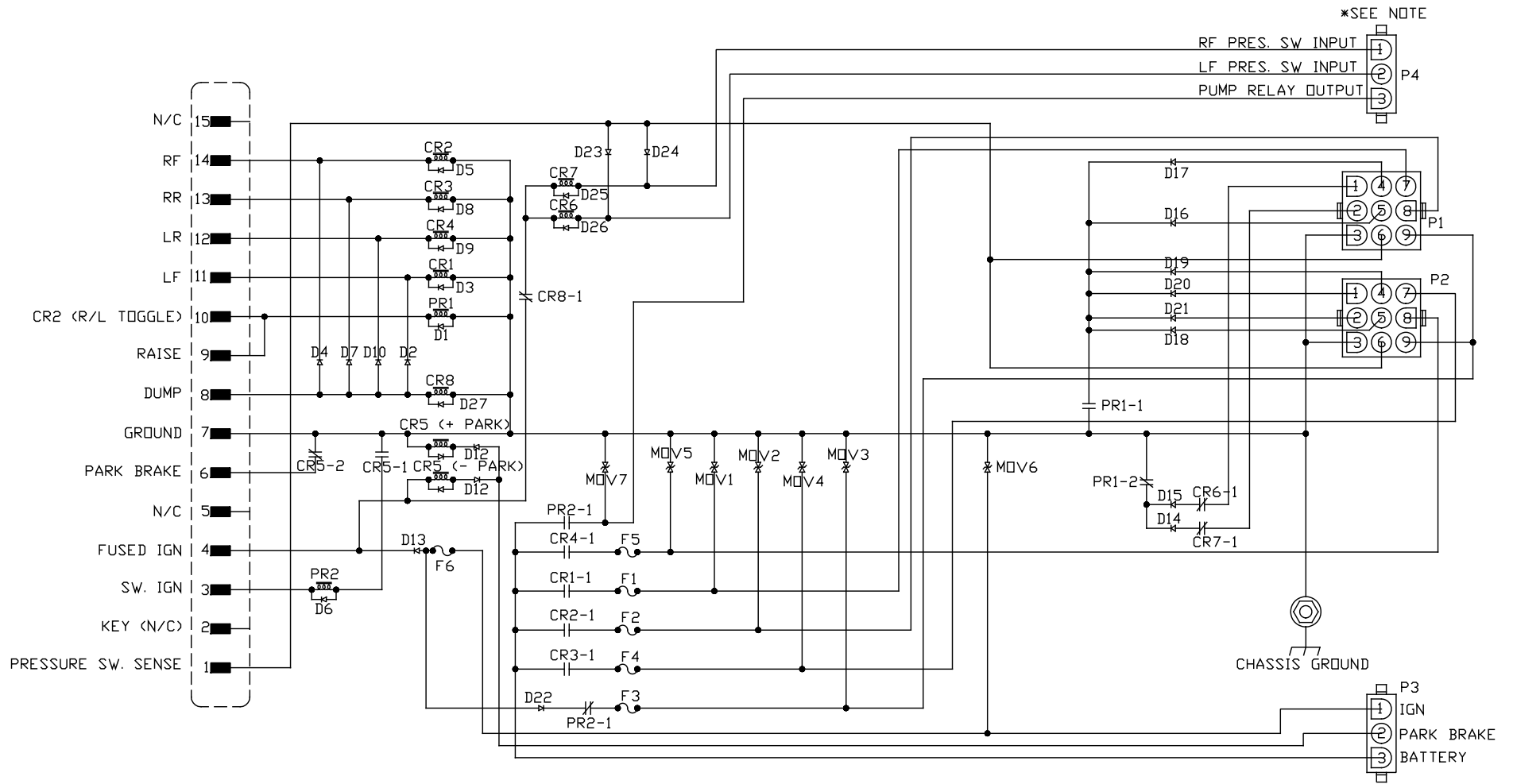


MP88.103A  
05AUG97

			HWH	I-80 EXIT 267 SOUTH RT 1 MOSCOW, IOWA 52760
			SCALE 1:1	DATE 05AUG97
			DRAWN BY .	
			SCHEMATIC 4PT MAN AIR	
NO.	DATE	REVISION	DRAWING NUMBER	
THE INFORMATION DISCLOSED ON THIS DRAWING IS CONFIDENTIAL AND MUST NOT BE DISCLOSED OR USED IN ANY MANNER WHICH WILL BE DETRIMENTAL TO THE HWH CORPORATION			TOUCH PANEL	MP88103 A/D



MP88.103B  
05AUG97



\*NOTE: FRONT AIR BAG INHIBIT NOT CURRENTLY USED.

MP88.1030  
 05AUG97

MP88103 C/D  
 05AUG97

