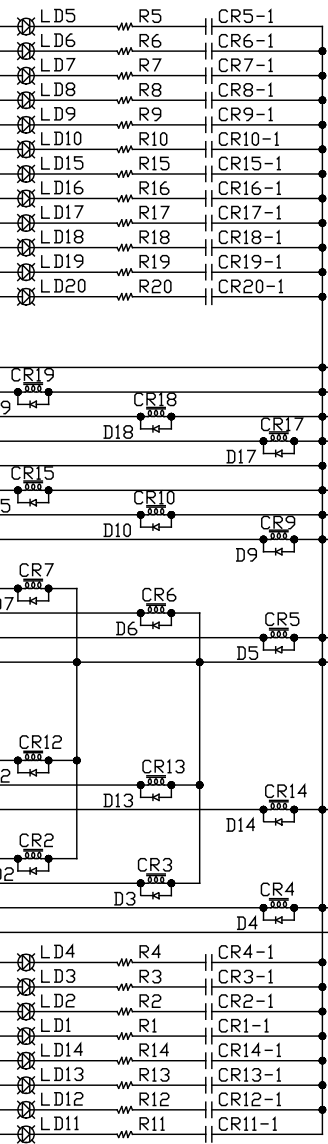


TO HARNESS.
IGNITION GOES
TO HERE. ALL
OTHERS ARE
INPUTS.

- PIN 1
- N/A
- KEY PIN
- VALENCE OUT
- SPARE
- SPARE
- ROOM OUT 2
- ROOM OUT 1
- FLOOR DOWN
- VALENCE IN
- LOCK POS 1
- LOCK POS 2
- ROOM IN 2
- ROOM IN 1
- FLOOR UP
- +12V IGNITION

- PIN 1
- UNLOCK 1
- UNLOCK 2
- UNLOCK 3
- UNLOCK 4
- LOCK 1
- LOCK 2
- LOCK 3
- LOCK 4
- KEY PIN
- +12V IGNITION

WIRES
INSIDE BOX



NOTE: R22-R25 WILL BE
0 OHM JUMPERS IF USED.

TO CONTROL BOX.
IGNITION AND
GROUND COME FROM
HERE. ALL OTHERS
ARE OUTPUTS.

- GROUND
- UNLOCKED
- VALENCE OUT
- ROOM OUT
- ROOM IN/LOCK POS
- LOCKED
- VALENCE IN
- FLOOR DOWN
- FLOOR UP
- SPARE
- SPARE
- +12V IGNITION

HWH I-80 EXIT 267 SOUTH
RT 1 MOSCOW, IOWA 52760

SCALE 1:2 DATE 13APR99 DRAWN BY .

SCHEMATIC L_SW BOX

DRAWING NUMBER
MP884430