

AP25922 CN1 (BLACK)
 PIN
 1 BLK(W7696) SYSTEM WAKE UP
 2 N/C
 3 RED(W6800) SW BATT
 4 WHT(W6230) GND
 5 CAN SHIELD
 6 RED(W6110) IGNITION
 7 GRN CAN LOW
 8 YEL CAN HI

AP25922 CN10 (GRAY)
 PIN
 1 BLK(W7599) SWITCH LIGHT CONTROL
 2 RED(W6100) RESET OUT
 3 BLK(W7550) RESET IN
 4 RED(W6121) WARNING LIGHT SUPPLY
 5 WHT(W6230) SWITCH LIGHT SUPPLY
 6 BLK(W7699) WARNING LIGHT CONTROL

AP25922 CN11 (GRAY)
 PIN
 1 RED(W6110) IGNITION
 2 N/C
 3 N/C
 4 N/C
 5 RED(W6120) ACCESSORY
 6 RED(W6100) HOUSE BATTERY
 7 WHT(W6230) GROUND
 8 N/C
 9 N/C
 10 N/C
 11 BLK(W9000) PARK BRAKE SWITCH
 12 RED(W6101) ENGINE BATTERY

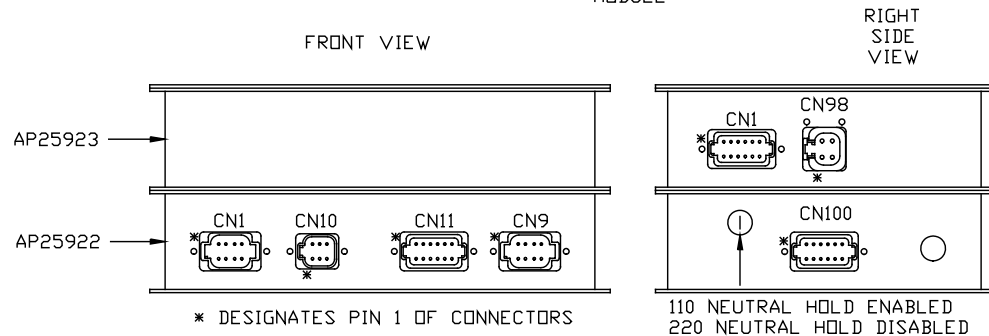
AP25922 CN9 (GREEN)
 PIN
 1 BLK(W8500) MASTER RELAY CONTROL
 2 N/C
 3 N/C
 4 N/C
 5 BLK(W9900) SPEED SWITCH
 6 N/C
 7 N/C
 8 WHT(W6231) GROUND

AP25923 CN98 (GRAY)
 PIN
 1 BLK(W6801) SW BATT
 2 BLK(W6801) SW BATT
 3 WHT(W6230) GND
 4 WHT(W6230) GND

AP25923 CN1 (BROWN)
 PIN
 1 N/C
 2 BLK(W1500) LEFT FRONT RAISE
 3 BLK(W1600) LEFT FRONT LOWER
 4 BLK(W2500) RIGHT FRONT RAISE
 5 BLK(W2600) RIGHT FRONT LOWER
 6 BLK(W9700) COMPRESSOR
 7 N/C
 8 BLK(W1700) FRONT TRAVEL
 9 N/C
 10 N/C
 11 WHT(W6254) GROUND
 12 N/C

AP25922 CN100 (GRAY)
 PIN
 1 WHT(W6231) GROUND
 2 BLK(W1210) LEFT FRONT PSW
 3 BLK(W2210) RIGHT FRONT PSW
 4 N/C
 5 N/C
 6 BLK(W3215) SYSTEM PSW
 7 N/C
 8 N/C
 9 N/C
 10 N/C
 11 BLK(W7521) TAG DUMP SW.
 12 N/C

AP2450
 CENTRAL CONTROL/FRONT AIR
 MODULE

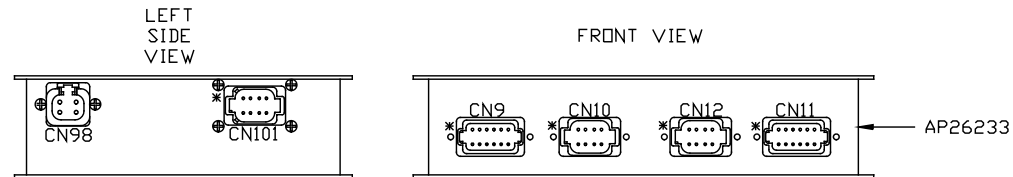


NOTE: WIRE NUMBERS ON THIS SHEET ARE REFERENCED TO HARNESS PLUGS.

		HWH I-80 EXIT 267 SOUTH RT 1 MOSCOW, IOWA 52760	
		SCALE 1:3	DATE 20JUL05
		DRAWN BY .	
		SYSTEM SCHEMATIC ELEC	
NO.	DATE	REVISION	
		THE INFORMATION DISCLOSED ON THIS DRAWING IS CONFIDENTIAL AND MUST NOT BE DISCLOSED OR USED IN ANY MANNER WHICH WILL BE DETRIMENTAL TO THE HWH CORPORATION	
		DRAWING NUMBER MP88686 A/Q	

ELECTRIC TRAIN SLIDE
MODULE

AP25429 (ROOM 1) & AP25611 (ROOM 3)



* DESIGNATES PIN 1 OF CONNECTORS

AP26233 CN9 (GRAY)

PIN

1	BLK(W5731) TR CYL. INFRARED SENSOR
2	BLK(W5732) TL CYL. INFRARED SENSOR
3	BLK(W5733) BR CYL. INFRARED SENSOR
4	BLK(W5734) BL CYL. INFRARED SENSOR
5	N/C
6	N/C
7	N/C
8	N/C
9	N/C
10	N/C
11	WHT(W6231) GROUND
12	RED(W6120) SW. BATTERY

AP26233 CN10 (GRAY)

PIN

1	N/C
2	BLK(W7510) READY TO OPERATE
3	BLK(W7530) CYLINDER RUN
4	BLK(W7501) ROOM EXTEND
5	BLK(W7502) ROOM RETRACT
6	RED(W6805) SW BATTERY
7	BLK(W7696) SYSTEM WAKE UP
8	WHT(W6230) GROUND

AP26233 CN12 (GREEN)

PIN

1	N/C
2	N/C
3	N/C
4	N/C
5	N/C
6	N/C
7	N/C
8	N/C

AP26233 CN11 (BROWN)

PIN

1	N/C
2	BLK(W5061) TR CYL. RETRACT
3	BLK(W5066) BL CYL. EXTEND
4	BLK(W5063) BR CYL. RETRACT
5	BLK(W5062) BR CYL. EXTEND
6	N/C
7	BLK(W5060) TR CYL. EXTEND
8	BLK(W5064) TL CYL. EXTEND
9	N/C
10	BLK(W5067) BL CYL. RETRACT
11	BLK(W5065) TL CYL. RETRACT
12	N/C

AP26233 CN98 (GRAY)

PIN

1	BLK(W6801) SW BATT
2	BLK(W6801) SW BATT
3	WHT(W6230) GND
4	WHT(W6230) GND

AP26233 CN101 (BLACK)

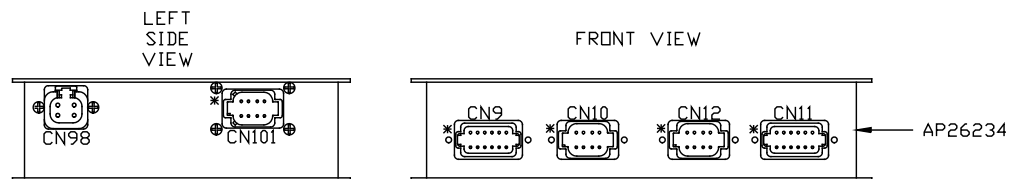
PIN

1	BLK(W7696) SYSTEM WAKE UP
2	N/C
3	RED(W6800) SW BATT
4	WHT(W6230) GROUND
5	CAN SHIELD
6	RED(W6110) IGNITION
7	GRN CAN LOW
8	YEL CAN HI

NOTE: WIRE NUMBERS ON THIS SHEET ARE REFERENCED TO HARNESS PLUGS.

AP25447
ELECTRIC SINGLE CYL. ROOM
MODULE

ROOM 2



* DESIGNATES PIN 1 OF CONNECTORS

AP25465 CN9 (GRAY)

PIN	FUNCTION
1	N/C
2	N/C
3	N/C
4	N/C
5	N/C
6	N/C
7	N/C
8	N/C
9	N/C
10	N/C
11	N/C
12	N/C

AP25465 CN10 (GRAY)

PIN	FUNCTION
1	N/C
2	N/C
3	N/C
4	N/C
5	N/C
6	N/C
7	N/C
8	N/C

AP25465 CN12 (GREEN)

PIN	FUNCTION
1	N/C
2	BLK(W7510) READY TO OPERATE
3	BLK(W7530) CYLINDER RUN
4	BLK(W7501) ROOM EXTEND
5	BLK(W7502) ROOM RETRACT
6	RED(W6805) SW BATTERY
7	BLK(W7631) SYSTEM WAKE UP
8	WHT(W6230) GROUND

AP25465 CN 11 (BROWN)

PIN	FUNCTION
1	N/C
2	N/C
3	N/C
4	N/C
5	N/C
6	N/C
7	N/C
8	N/C
9	BLK(W5069) CYL. RETRACT
10	N/C
11	N/C
12	BLK(W5068) CYL. EXTEND

CN98 (GRAY)

PIN	FUNCTION
1	BLK(W6801) SW BATT
2	BLK(W6801) SW BATT
3	WHT(W6230) GND
4	WHT(W6230) GND

CN101 (BLACK)

PIN	FUNCTION
1	BLK(W7696) SYSTEM WAKE UP
2	N/C
3	RED(W6800) SW BATT
4	WHT(W6230) GROUND
5	CAN SHIELD
6	RED(W6110) IGNITION
7	GRN CAN LOW
8	YEL CAN HI

NOTE: WIRE NUMBERS ON THIS SHEET ARE REFERENCED TO HARNESS PLUGS.

AP25431
REAR AIR MODULE

* DESIGNATES PIN 1 OF CONNECTORS

AP26117 CN1 (BROWN)
PIN

- 1 BLK(W3800) TAG LIFT
- 2 BLK(W4500) LEFT REAR RAISE
- 3 BLK(W4600) LEFT REAR LOWER
- 4 BLK(W3500) RIGHT REAR RAISE
- 5 BLK(W3600) RIGHT REAR LOWER
- 6 N/C
- 7 BLK(W3701) TAG TRAVEL
- 8 BLK(W3700) REAR TRAVEL
- 9 BLK(W3601) TAG RIGHT DUMP
- 10 BLK(W4601) TAG LEFT DUMP
- 11 WHT (W6258) GROUND
- 12 N/C

AP26117 CN98 (GRAY)
PIN

- 1 BLK(W6800) SW BATT
- 2 BLK(W6800) SW BATT
- 3 WHT(W6230) GROUND
- 4 WHT(W6230) GROUND

AP26116 CN9 (BLACK)
PIN

- 1 WHT(W7696) SYSTEM WAKE UP
- 2 N/C
- 3 RED(W6800) SW BATTERY
- 4 GRN(W6230) GROUND
- 5 CAN SHIELD
- 6 RED(W6110) IGNITION
- 7 GRN CAN LOW
- 8 YEL CAN HI

AP26116 CN10 (GRAY)
PIN

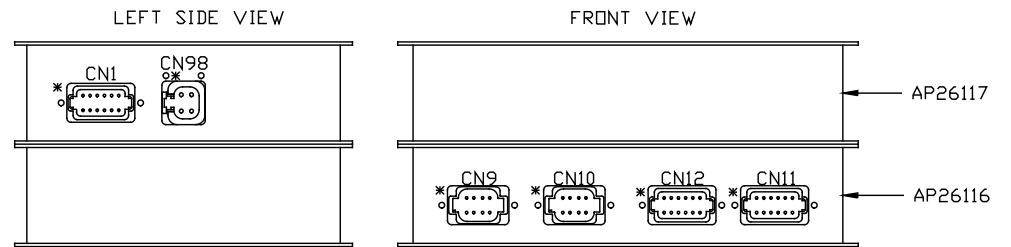
- 1 N/C
- 2 N/C
- 3 N/C
- 4 N/C
- 5 N/C
- 6 N/C

AP26116 CN12 (GRAY)
PIN

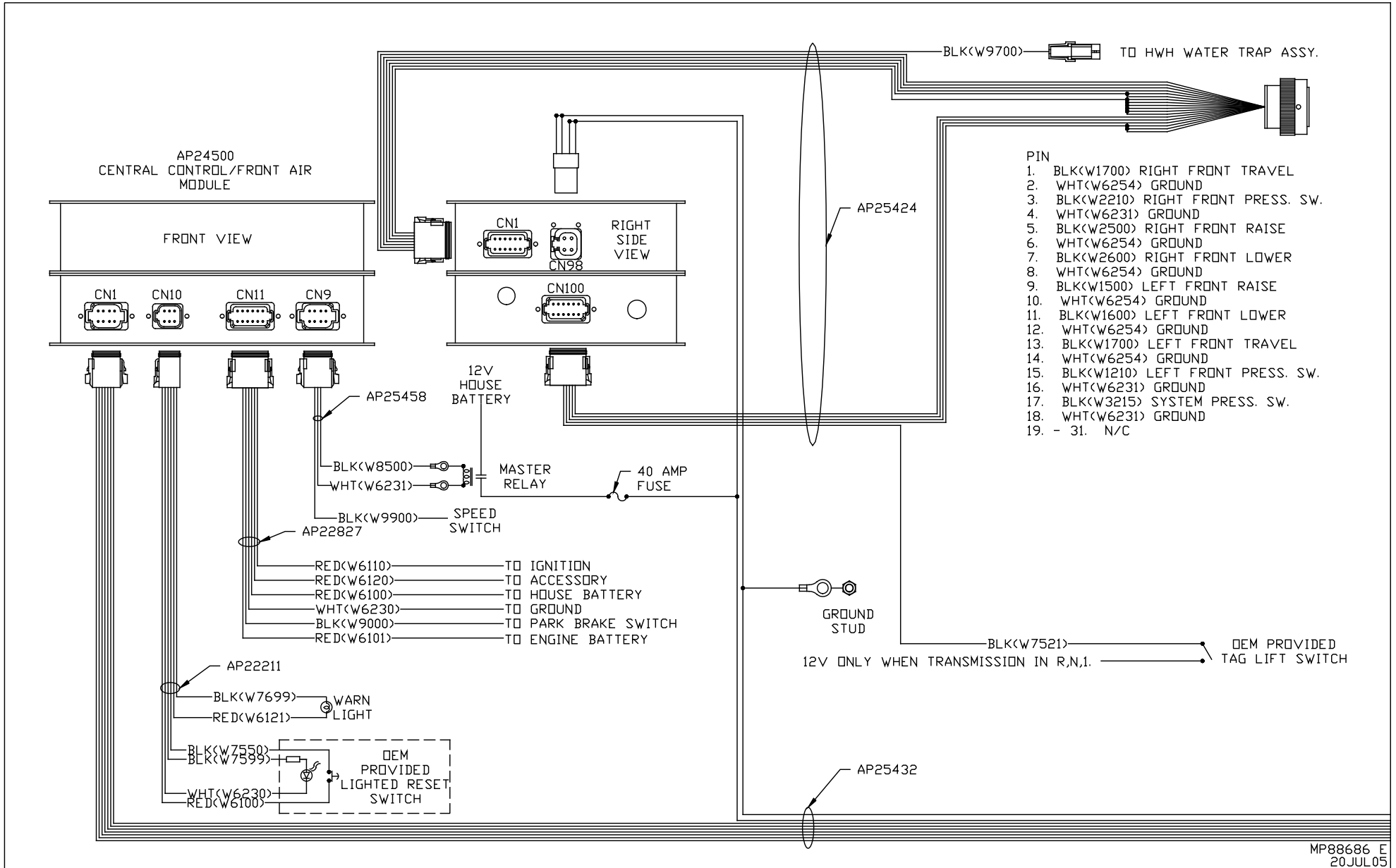
- 1 BLK(W4211) LEFT REAR TAG PRESS. SW.
- 2 BLK(W3211) RIGHT REAR TAG PRESS. SW.
- 3 BLK(W3215) SYSTEM PRESS. SW.
- 4 N/C
- 5 N/C
- 6 WHT(W6231) GROUND
- 7 N/C
- 8 N/C
- 9 N/C
- 10 N/C
- 11 N/C
- 12 N/C

AP26116 CN11 (GREEN)
PIN

- 1 N/C
- 2 BLK(W4210) LEFT REAR PRESS. SW.
- 3 BLK(W3210) RIGHT REAR PRESS. SW.
- 4 N/C
- 5 N/C
- 6 WHT(W6232) GROUND
- 7 N/C
- 8 N/C
- 9 N/C
- 10 N/C
- 11 N/C
- 12 N/C



NOTE: WIRE NUMBERS ON THIS SHEET ARE REFERENCED TO HARNESS PLUGS.





PIN

- 1. RIGHT FRONT TRAVEL
- 2. GROUND
- 3. RIGHT FRONT PRESS. SW.
- 4. GROUND
- 5. RIGHT FRONT RAISE
- 6. GROUND
- 7. RIGHT FRONT LOWER
- 8. GROUND
- 9. LEFT FRONT RAISE
- 10. GROUND
- 11. LEFT FRONT LOWER
- 12. GROUND
- 13. LEFT FRONT TRAVEL
- 14. GROUND
- 15. LEFT FRONT PRESS. SW.
- 16. GROUND
- 17. SYSTEM PRESS. SW.
- 18. GROUND
- 19. - 31. N/C

FRONT AIR
MANIFOLD
CONNECTIONS

LEFT FRONT RAISE

LEFT FRONT LOWER

RIGHT FRONT RAISE

RIGHT FRONT LOWER

LEFT FRONT TRAVEL

RIGHT FRONT TRAVEL

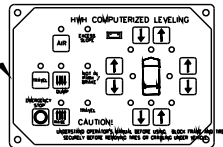
SYSTEM PRESSURE SWITCH
(WHERE APPLICABLE)

RIGHT FRONT PRESSURE SWITCH

LEFT FRONT PRESSURE SWITCH

AP25285

AP22703



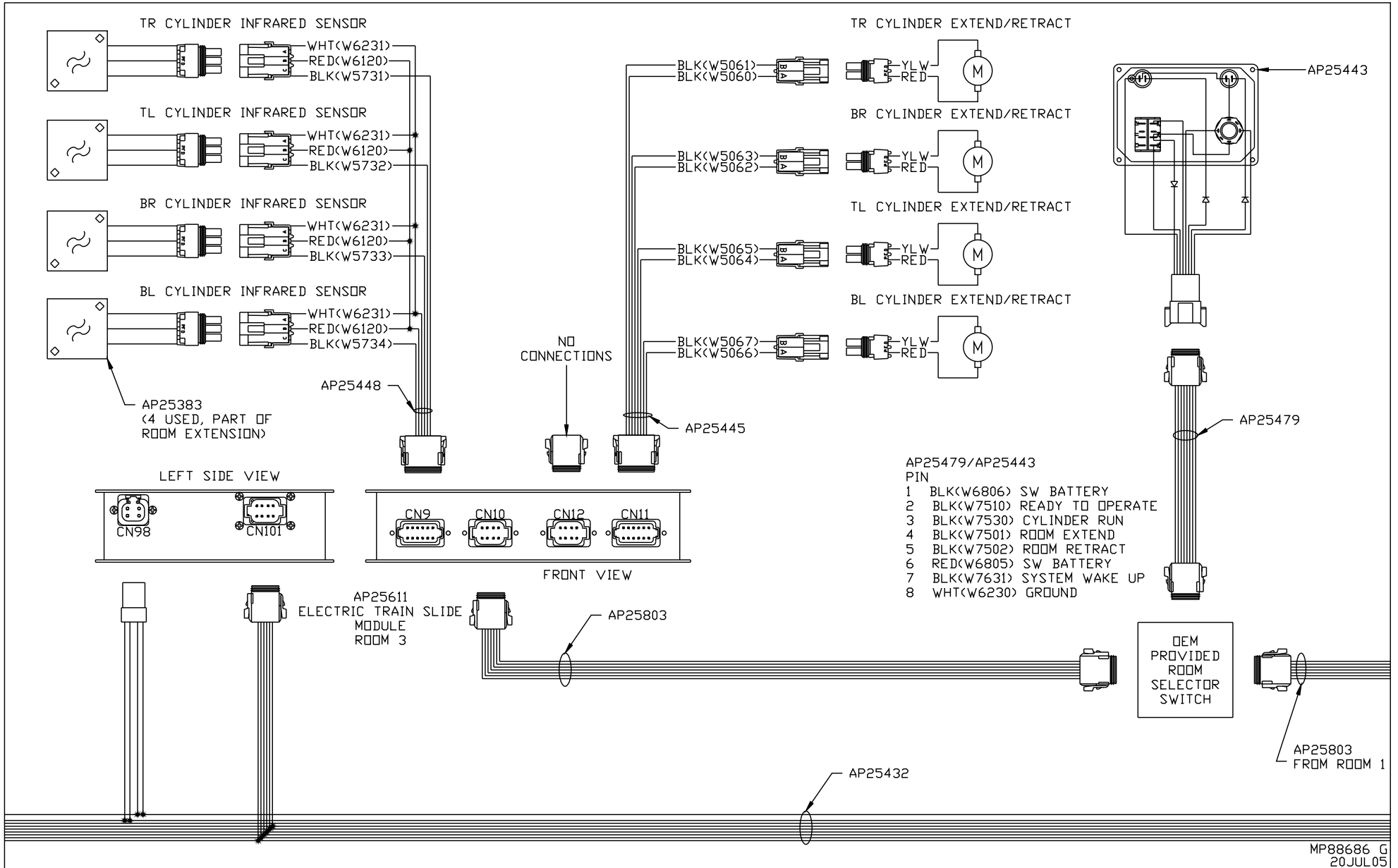
5 1

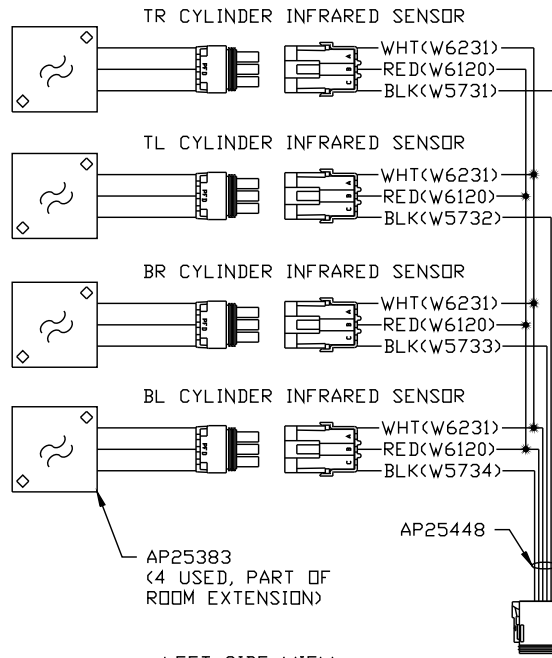
PIN

- 1 YELLOW CAN HI
- 2 GREEN CAN LOW
- 3 CAN SHIELD
- 4 GRN (W6230) GROUND
- 5 RED (W6800) SW. BATTERY

120 OHM
TERMINATION
RESISTOR
PART OF AP25432

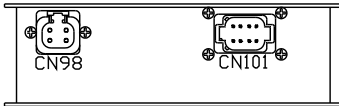
AP25432



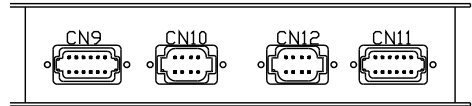
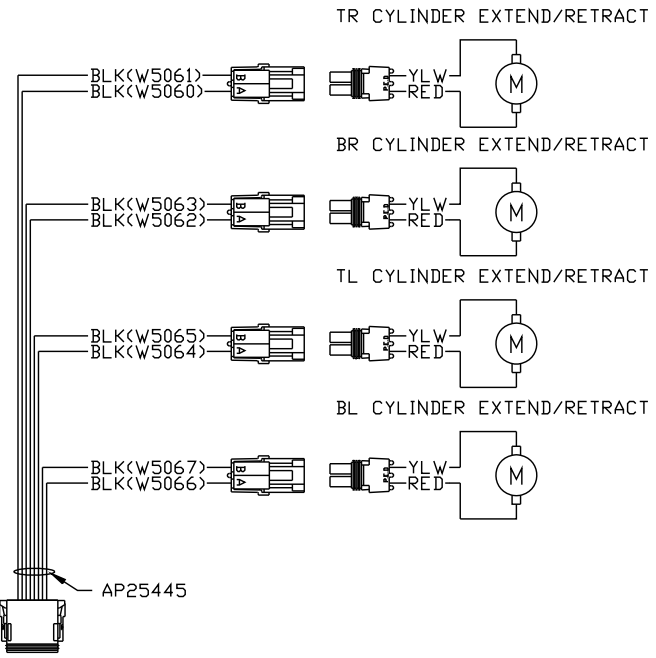


AP25383
(4 USED, PART OF
ROOM EXTENSION)

LEFT SIDE VIEW

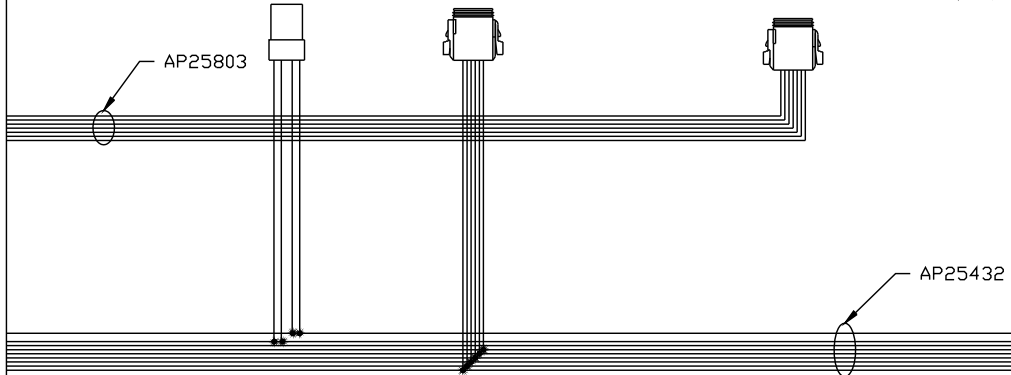


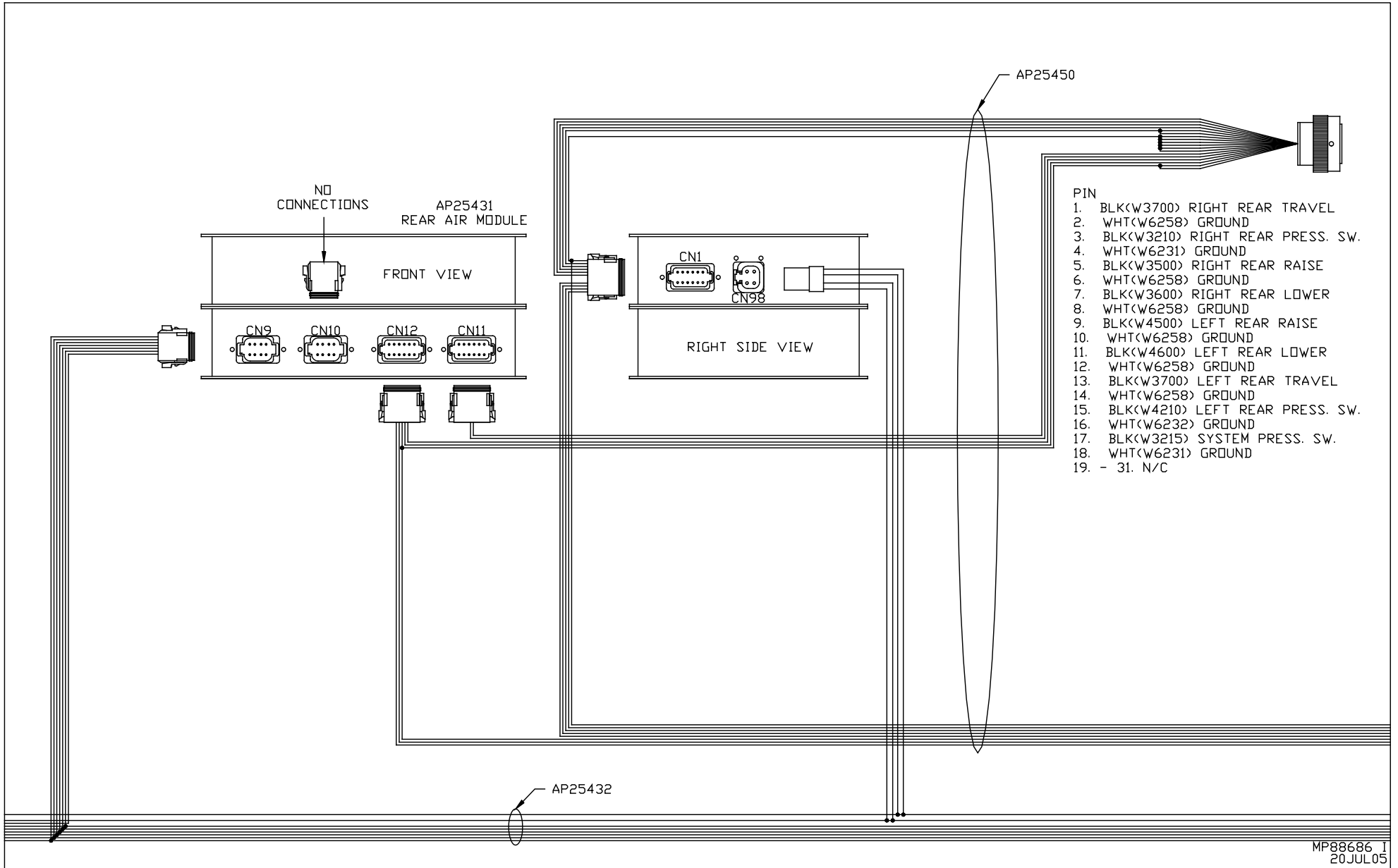
NO
CONNECTIONS

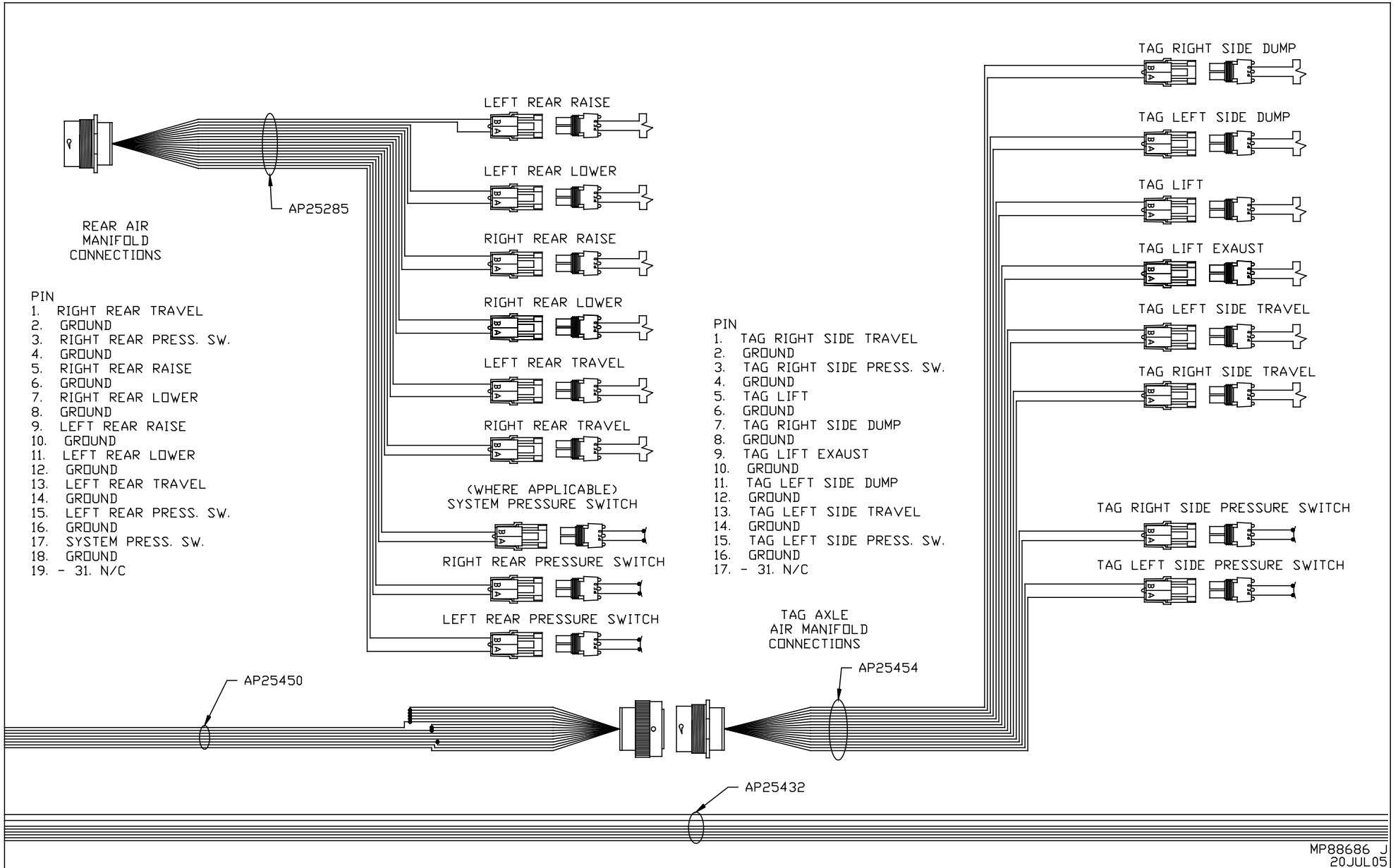


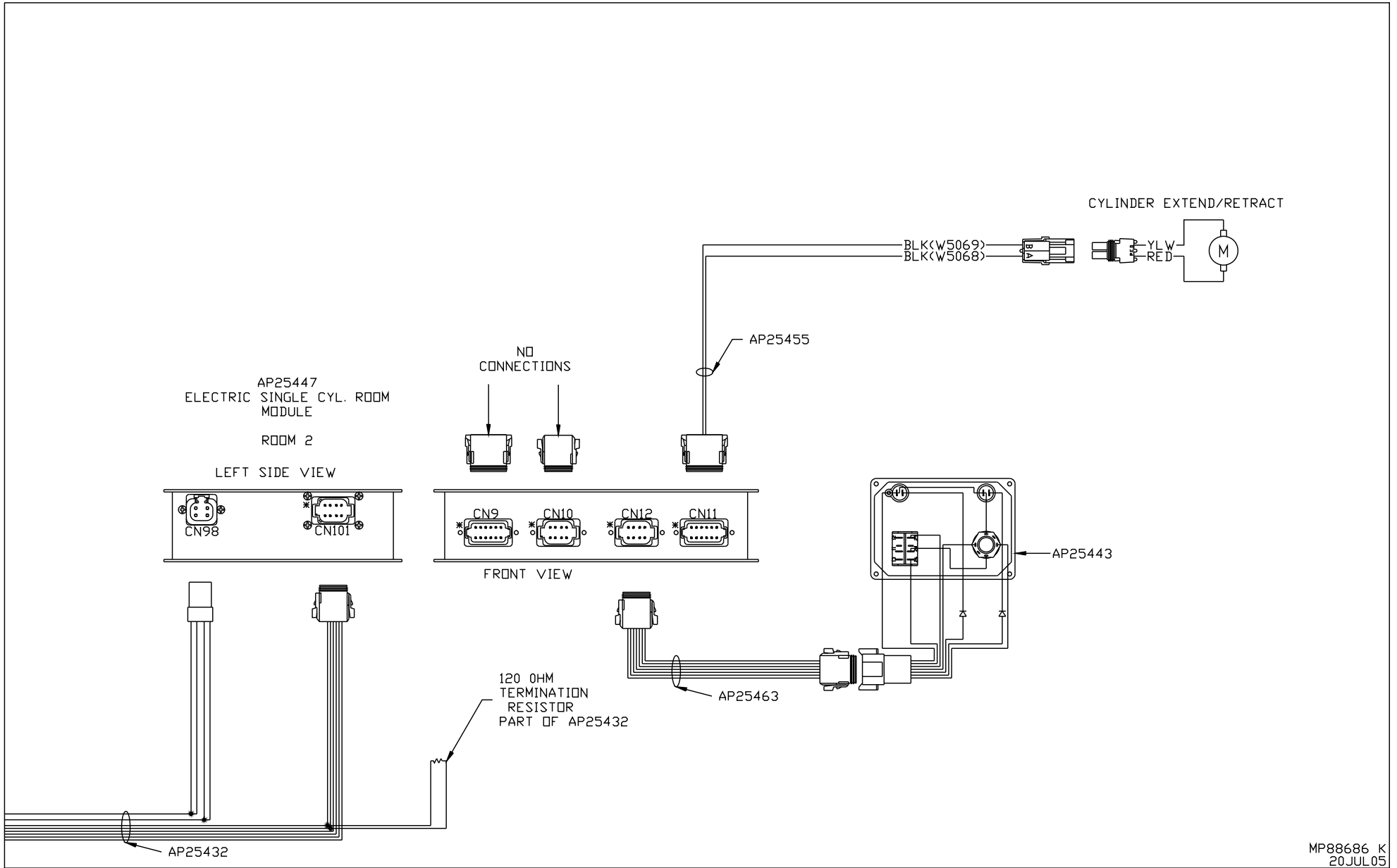
FRONT VIEW

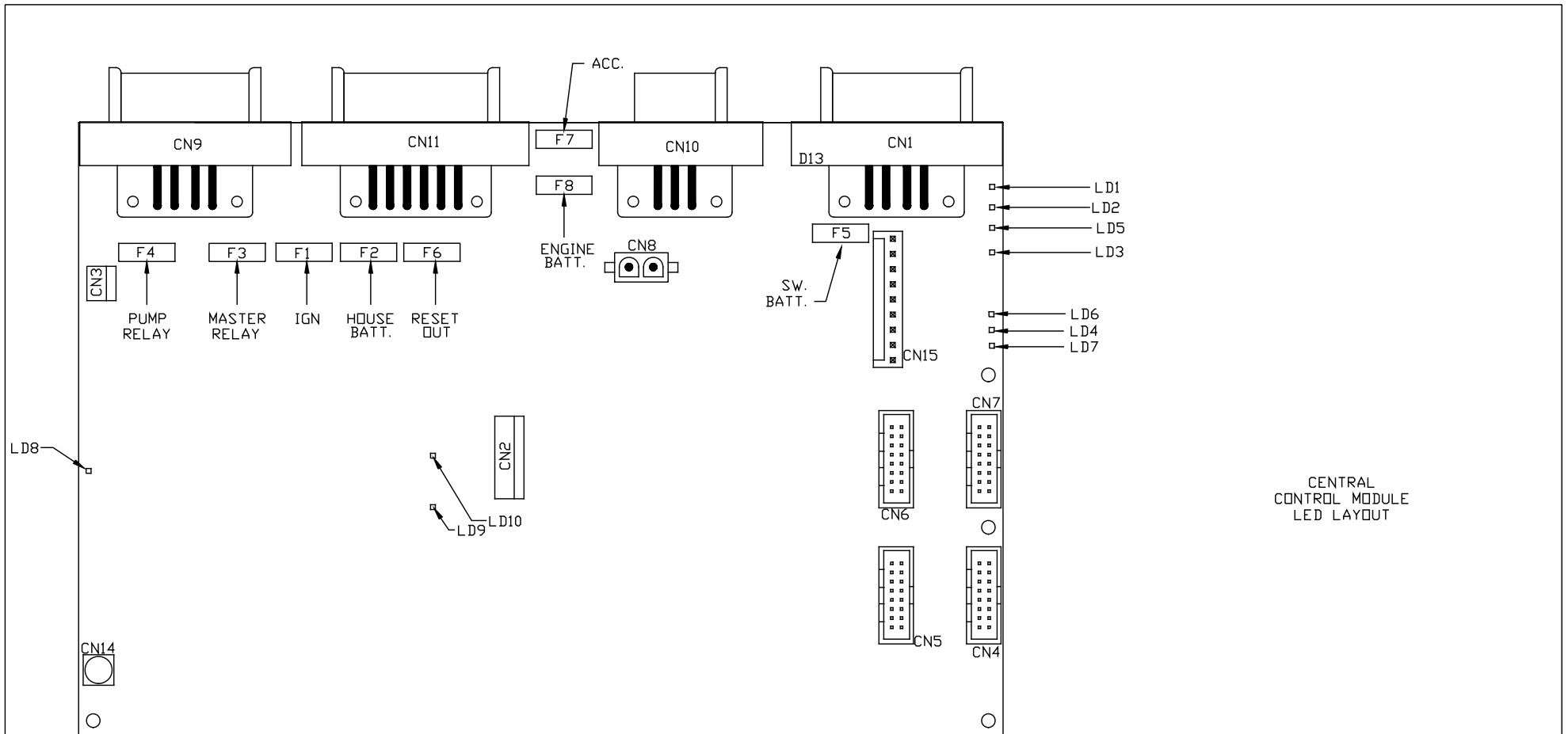
AP25429
ELECTRIC TRAIN SLIDE
MODULE
ROOM 1





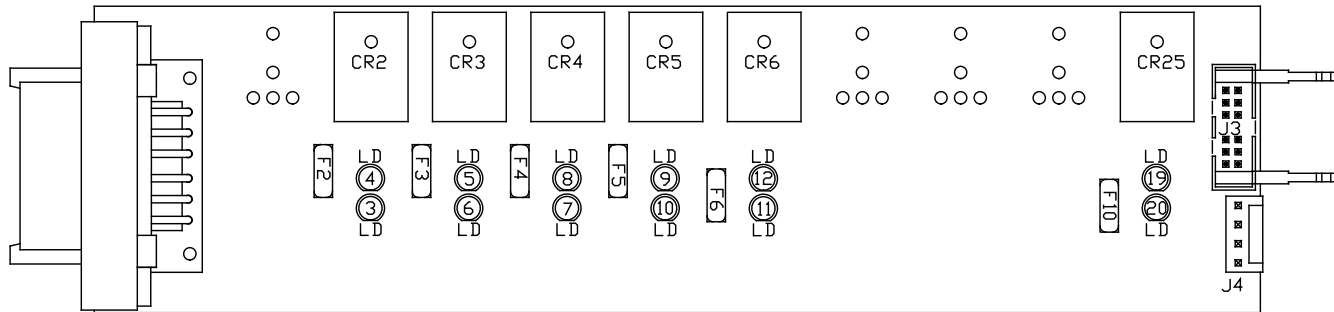






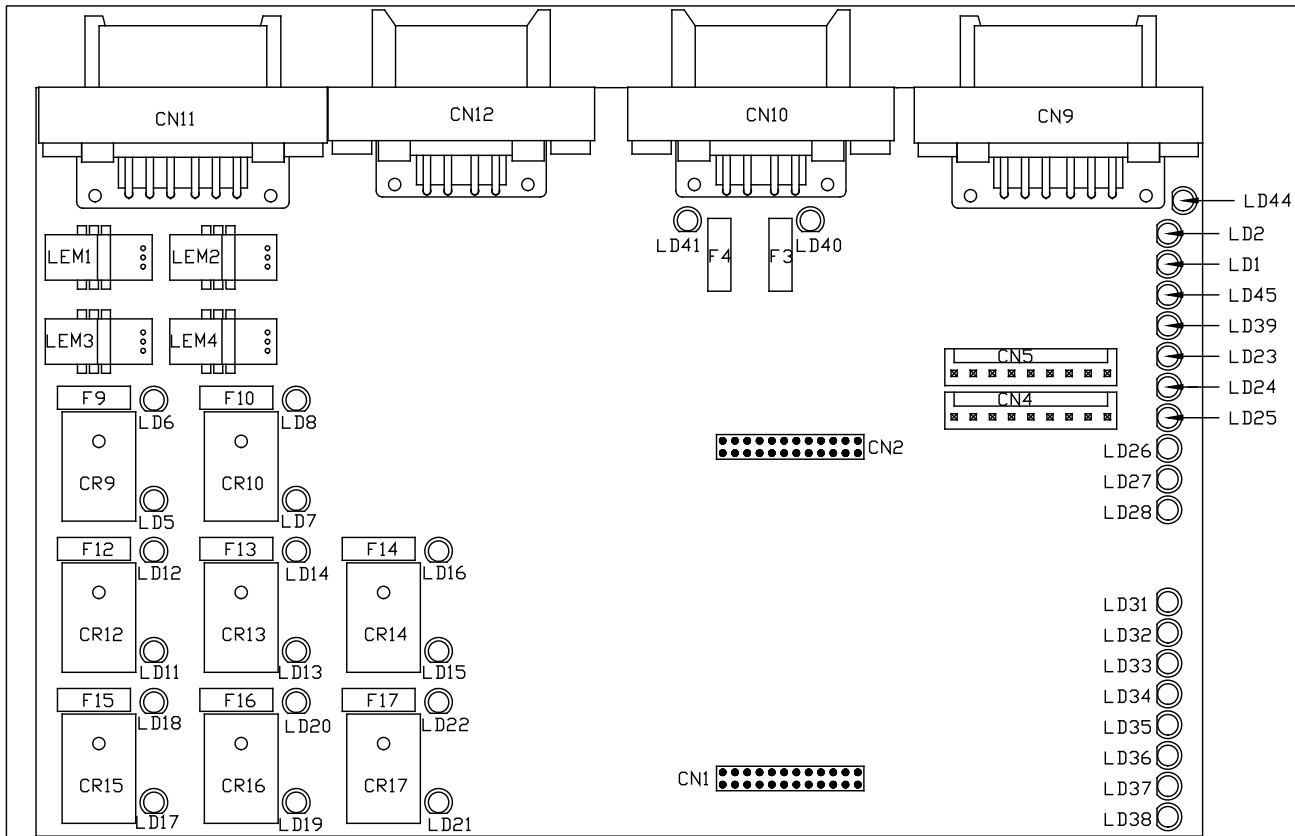
CENTRAL
CONTROL MODULE
LED LAYOUT

LED #	CONNECTOR	COLOR	DESCRIPTION
LED 1	CN 9 PIN 1	RED	MASTER RELAY
LED 2	NOT USED	NOT USED	NOT USED
LED 3	CN 1 PIN 3	RED	SW 12V
LED 4	CN 11 PIN 12	RED	ENGINE BATT
LED 5	CN 9 PIN 5	RED	SPEED SWITCH
LED 6	NOT USED	NOT USED	NOT USED
LED 7	CN 1 PIN 7 & 8	RED	LINK LIGHT
LED 8	NOT USED	NOT USED	NOT USED
LED 9	NOT USED	NOT USED	NOT USED
LED 10	NOT USED	NOT USED	NOT USED



FRONT AIR
OUTPUTS
LED LAYOUT

LED #	COLOR	INPUT J3	FUSE #	OUTPUT	RELAY #	DESCRIPTION
LED1	---	---	---	---	---	---
LED2	---	---	---	---	---	---
LED3	RED	---	FUSE 2	PIN 2	CR2	LEFT FRONT RAISE (CONTACT)
LED4	YELLOW	PIN 12	---	---	CR2	LEFT FRONT RAISE (COIL)
LED5	YELLOW	PIN 11	---	---	CR3	LEFT FRONT LOWER (COIL)
LED6	RED	---	FUSE 3	PIN 3	CR3	LEFT FRONT LOWER (CONTACT)
LED7	RED	---	FUSE 4	PIN 4	CR4	RIGHT FRONT RAISE (CONTACT)
LED8	YELLOW	PIN 10	---	---	CR4	RIGHT FRONT RAISE (COIL)
LED9	YELLOW	PIN 9	---	---	CR5	RIGHT FRONT LOWER (COIL)
LED10	RED	---	FUSE 5	PIN 5	CR5	RIGHT FRONT LOWER (CONTACT)
LED11	RED	---	FUSE 6	PIN 6	CR6	COMPRESSOR (CONTACT)
LED12	YELLOW	PIN 8	---	---	CR6	COMPRESSOR (COIL)
LED13	---	---	---	---	---	---
LED14	---	---	---	---	---	---
LED15	---	---	---	---	---	---
LED16	---	---	---	---	---	---
LED17	---	---	---	---	---	---
LED18	---	---	---	---	---	---
LED19	YELLOW	PIN 4	---	---	CR25	TRAVEL (COIL)
LED20	RED	---	FUSE 10	PIN 8	CR25	TRAVEL (CONTACT)



PART	RATING	COLOR	DESCRIPTION
F1	2 AMP	CLEAR	ERE RDY TO OPERATE
F2	2 AMP	CLEAR	ERE CYLINDER RUN
F3	2 AMP	CLEAR	ETSLD RDY TO OPERATE
F4	2 AMP	CLEAR	ETSLD CYLINDER RUN
F8	15 AMP	BLUE	ERE CYL EXTEND
F9	15 AMP	BLUE	TR CYL EXTEND
F10	15 AMP	BLUE	TR CYL RETRACT
F11	15 AMP	BLUE	ERE CYL RETRACT
F12	15 AMP	BLUE	TL CYL EXTEND
F13	15 AMP	BLUE	TL CYL RETRACT
F14	15 AMP	BLUE	BL CYL EXTEND
F15	15 AMP	BLUE	BR CYL EXTEND
F16	15 AMP	BLUE	BR CYL RETRACT
F17	15 AMP	BLUE	BL CYL RETRACT

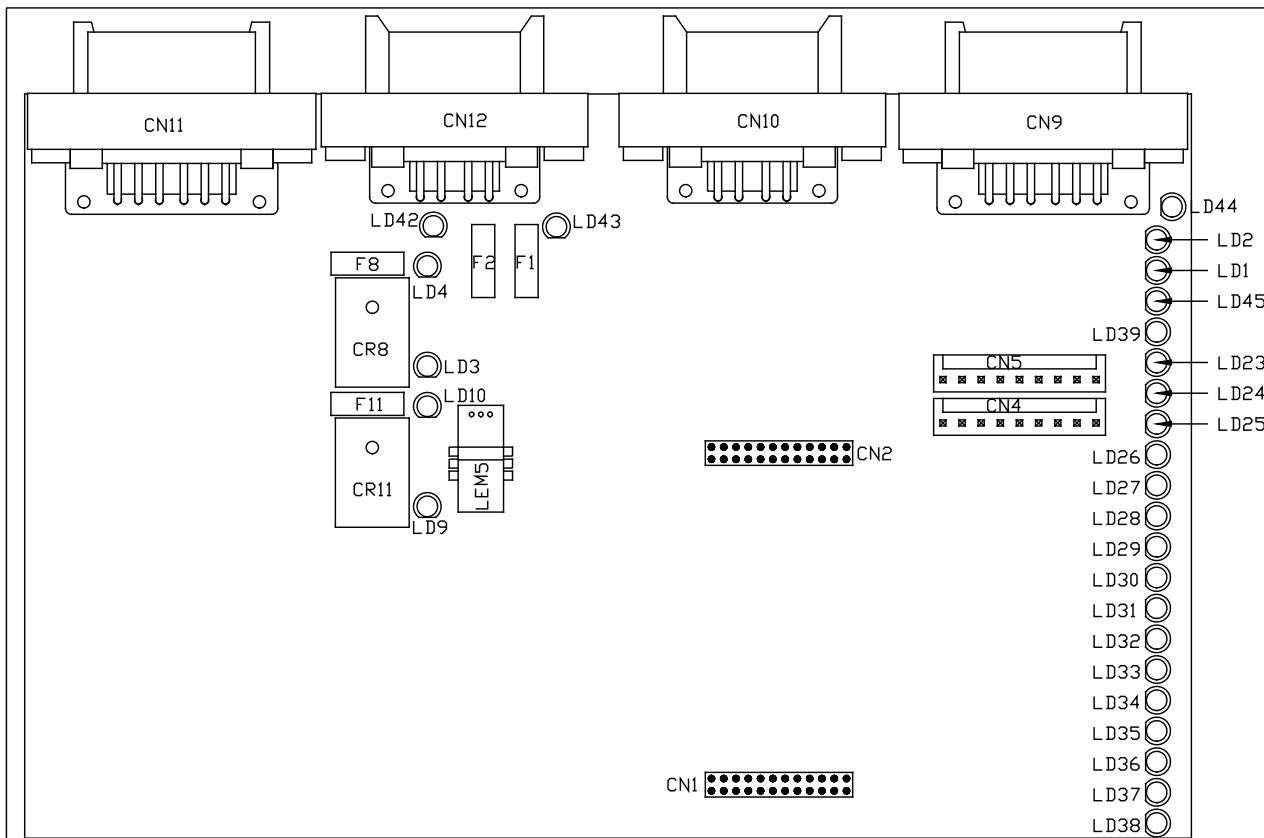
ROOM 1 & ROOM 3
ELECTRIC TRAIN SLIDE
BOARD LAYOUT

LD #	CONNECTOR	COLOR	DESCRIPTION
LD 1	CN 9 PIN 4	RED	BL I/R SENSOR
LD 2	NA	RED	SPARE
LD 3	NA	YELLOW	RE CYL EXT COIL
LD 4	CN11 PIN 12	RED	RE CYL EXT CNT
LD 5	NA	YELLOW	TR CYL EXT COIL
LD 6	CN 11 PIN 7	RED	TR CYL EXT CNT
LD 7	NA	YELLOW	TR CYL RET COIL
LD 8	CN11 PIN 2	RED	TR CYL RET CNT
LD 9	NA	YELLOW	ERE RET COIL
LD 10	CN11 PIN 9	RED	ERE RET CNT
LD 11	NA	YELLOW	TL CYL EXT COIL
LD 12	CN11 PIN 8	RED	TL CYL EXT CNT
LD 13	NA	YELLOW	TL CYL RET COIL
LD 14	CN11 PIN 11	RED	TL CYL RET CNT
LD 15	NA	YELLOW	BL CYL EXT COIL

LD #	CONNECTOR	COLOR	DESCRIPTION
LD 16	CN11 PIN 3	RED	BL CYL EXT CNT
LD 17	NA	YELLOW	BR CYL EXT COIL
LD 18	CN11 PIN 5	RED	BR CYL EXT CNT
LD 19	NA	YELLOW	BR CYL RET COIL
LD 20	CN11 PIN 4	RED	BR CYL RET CNT
LD 21	NA	YELLOW	BL CYL RET COIL
LD 22	CN 11 PIN 10	RED	BL CYL RET CNT
LD 23	CN10 PIN 5	RED	TSLD RETRACT
LD 24	CN10 PIN 4	RED	TSLD EXTEND
LD 25	CN12 PIN 5	RED	ERE RETRACT
LD 26	CN12 PIN 4	RED	ERE EXTEND
LD 27	CN9 PIN 2	RED	TL I/R SENSOR
LD 28	CN9 PIN 1	RED	TR I/R SENSOR
LD 29	NA	GREEN	RE CYL EXT CUR.
LD 30	NA	YELLOW	RE CYL RET CUR.

LD #	CONNECTOR	COLOR	DESCRIPTION
LD 31	NA	GREEN	TL CYL EXT CUR.
LD 32	NA	YELLOW	TL CYL RET CUR.
LD 33	NA	GREEN	BL CYL EXT CUR.
LD 34	NA	YELLOW	BL CYL RET CUR.
LD 35	NA	GREEN	TR CYL EXT CUR.
LD 36	NA	YELLOW	TR CYL RET CUR.
LD 37	NA	GREEN	BR CYL EXT CUR.
LD 38	NA	YELLOW	BR CYL RET CUR.
LD 39	CN10/CN12 PIN 7	RED	SYSTEM WAKE UP
LD 40	CN12 PIN 3	RED	ETSLD RDY TO OP
LD 41	CN12 PIN 2	RED	ETSLD CYL. RUN
LD 42	CN12 PIN 3	RED	ERE CYL. RUN
LD 43	CN12 PIN 2	RED	ERE RDY TO OP
LD 44	NA	RED	SPARE
LD 45	CN9 PIN 3	RED	BR I/R SENSOR

MP88686 N
20JUL05



PART	RATING	COLOR	DESCRIPTION
F1	2 AMP	CLEAR	ERE RDY TO OPERATE
F2	2 AMP	CLEAR	ERE CYLINDER RUN
F3	2 AMP	CLEAR	ETSLD RDY TO OPERATE
F4	2 AMP	CLEAR	ETSLD CYLINDER RUN
F8	15 AMP	BLUE	ERE CYL EXTEND
F9	15 AMP	BLUE	TR CYL EXTEND
F10	15 AMP	BLUE	TR CYL RETRACT
F11	15 AMP	BLUE	ERE CYL RETRACT
F12	15 AMP	BLUE	TL CYL EXTEND
F13	15 AMP	BLUE	TL CYL RETRACT
F14	15 AMP	BLUE	BL CYL EXTEND
F15	15 AMP	BLUE	BR CYL EXTEND
F16	15 AMP	BLUE	BR CYL RETRACT
F17	15 AMP	BLUE	BL CYL RETRACT

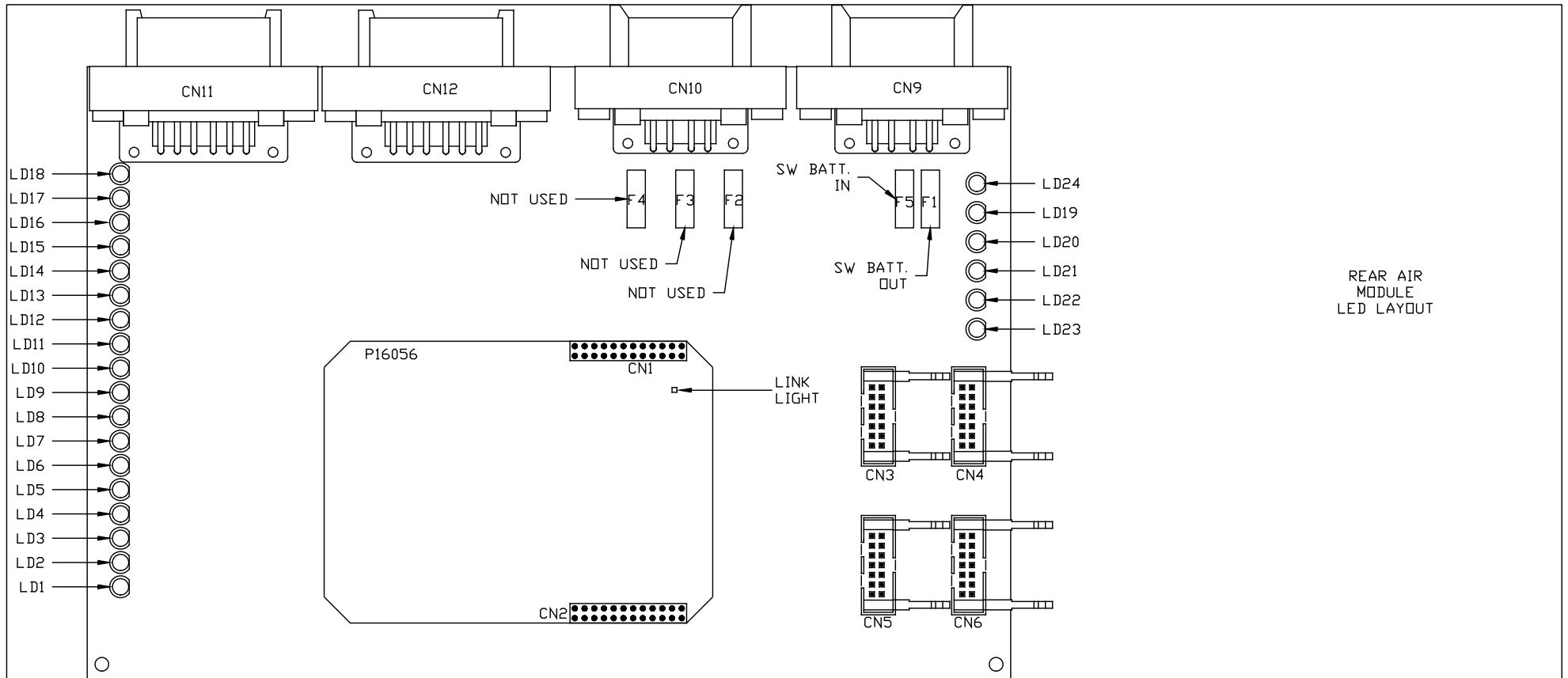
ROOM 2
SINGLE CYLINDER
PARTS LAYOUT

LD #	CONNECTOR	COLOR	DESCRIPTION
LD 1	CN 9 PIN 4	RED	BL I/R SENSOR
LD 2	NA	RED	SPARE
LD 3	NA	YELLOW	RE CYL EXT COIL
LD 4	CN11 PIN 12	RED	RE CYL EXT CNT
LD 5	NA	YELLOW	TR CYL EXT COIL
LD 6	CN11 PIN 7	RED	TR CYL EXT CNT
LD 7	NA	YELLOW	TR CYL RET COIL
LD 8	CN11 PIN 2	RED	TR CYL RET CNT
LD 9	NA	YELLOW	ERE RET COIL
LD 10	CN11 PIN 9	RED	ERE RET CNT
LD 11	NA	YELLOW	TL CYL EXT COIL
LD 12	CN11 PIN 8	RED	TL CYL EXT CNT
LD 13	NA	YELLOW	TL CYL RET COIL
LD 14	CN11 PIN 11	RED	TL CYL RET CNT
LD 15	NA	YELLOW	BL CYL EXT COIL

LD #	CONNECTOR	COLOR	DESCRIPTION
LD 16	CN11 PIN 3	RED	BL CYL EXT CNT
LD 17	NA	YELLOW	BR CYL EXT COIL
LD 18	CN11 PIN 5	RED	BR CYL EXT CNT
LD 19	NA	YELLOW	BR CYL RET COIL
LD 20	CN11 PIN 4	RED	BR CYL RET CNT
LD 21	NA	YELLOW	BL CYL RET COIL
LD 22	CN11 PIN 10	RED	BL CYL RET CNT
LD 23	CN10 PIN 5	RED	TSLD RETRACT
LD 24	CN10 PIN 4	RED	TSLD EXTEND
LD 25	CN12 PIN 5	RED	ERE RETRACT
LD 26	CN12 PIN 4	RED	ERE EXTEND
LD 27	CN9 PIN 2	RED	TL I/R SENSOR
LD 28	CN9 PIN 1	RED	TR I/R SENSOR
LD 29	NA	GREEN	RE CYL EXT CUR.
LD 30	NA	YELLOW	RE CYL RET CUR.

LD #	CONNECTOR	COLOR	DESCRIPTION
LD 31	NA	GREEN	TL CYL EXT CUR.
LD 32	NA	YELLOW	TL CYL RET CUR.
LD 33	NA	GREEN	BL CYL EXT CUR.
LD 34	NA	YELLOW	BL CYL RET CUR.
LD 35	NA	GREEN	TR CYL EXT CUR.
LD 36	NA	YELLOW	TR CYL RET CUR.
LD 37	NA	GREEN	BR CYL EXT CUR.
LD 38	NA	YELLOW	BR CYL RET CUR.
LD 39	CN10/CN12 PIN 7	RED	SYSTEM WAKE UP
LD 40	CN12 PIN 3	RED	ETSLD RDY TO OP
LD 41	CN12 PIN 2	RED	ETSLD CYL. RUN
LD 42	CN12 PIN 3	RED	ERE CYL. RUN
LD 43	CN12 PIN 2	RED	ERE RDY TO OP
LD 44	NA	RED	SPARE
LD 45	CN9 PIN 3	RED	BR I/R SENSOR

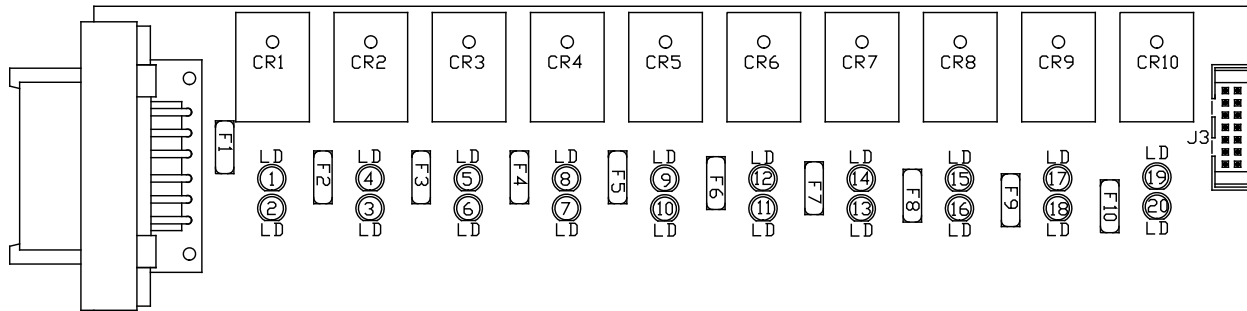
MP88686 D
20JUL05



REAR AIR
MODULE
LED LAYOUT

LED #	CONNECTOR	COLOR	DESCRIPTION
LED 1	NOT USED	RED	NOT USED
LED 2	NOT USED	RED	NOT USED
LED 3	NOT USED	GREEN	NOT USED
LED 4	NOT USED	YELLOW	NOT USED
LED 5	CN11 PIN 2	YELLOW	LR PRESS SW
LED 6	NOT USED	YELLOW	NOT USED
LED 7	CN11 PIN 3	GREEN	RR PRESS SW
LED 8	CN12 PIN 3	GREEN	SYSTEM PRESS SW
LED 9	NOT USED	GREEN	NOT USED
LED 10	NOT USED	GREEN	NOT USED
LED 11	NOT USED	YELLOW	NOT USED
LED 12	CN12 PIN 1	YELLOW	LR TAG PRESS SW
LED 13	CN12 PIN 2	YELLOW	RR TAG PRESS SW
LED 14	NOT USED	YELLOW	NOT USED

LED #	CONNECTOR	COLOR	DESCRIPTION
LED 15	NOT USED	GREEN	NOT USED
LED 16	NOT USED	GREEN	NOT USED
LED 17	NOT USED	GREEN	NOT USED
LED 18	NOT USED	GREEN	NOT USED
LED 19	NOT USED	RED	SW BATT OUT
LED 20	NOT USED	RED	SW BATT IN
LED 21	NOT USED	RED	NOT USED
LED 22	NOT USED	RED	NOT USED
LED 23	NOT USED	RED	NOT USED
LED 24	NOT USED	RED	NOT USED
LED 25	---	---	---
LED 26	---	---	---
LED 27	---	---	---
LED 28	---	---	---



REAR AIR
OUTPUT
LED LAYOUT

LED #	COLOR	INPUT J3	FUSE #	OUTPUT	RELAY #	DESCRIPTION
LED1	YELLOW	PIN 13	---	---	CR1	TAG LIFT <COIL>
LED2	RED	---	FUSE 1	PIN 1	CR1	TAG LIFT <CONTACT>
LED3	RED	---	FUSE 2	PIN 2	CR2	LEFT REAR RAISE <CONTACT>
LED4	YELLOW	PIN 12	---	---	CR2	LEFT REAR RAISE <COIL>
LED5	YELLOW	PIN 11	---	---	CR3	LEFT REAR LOWER <COIL>
LED6	RED	---	FUSE 3	PIN 3	CR3	LEFT REAR LOWER <CONTACT>
LED7	RED	---	FUSE 4	PIN 4	CR4	RIGHT REAR RAISE <CONTACT>
LED8	YELLOW	PIN 10	---	---	CR4	RIGHT REAR RAISE <COIL>
LED9	YELLOW	PIN 9	---	---	CR5	RIGHT REAR LOWER <COIL>
LED10	RED	---	FUSE 5	PIN 5	CR5	RIGHT REAR LOWER<CONTACT>
LED11	RED	---	FUSE 6	PIN 6	CR6	NOT USED
LED12	YELLOW	PIN 8	---	---	CR6	NOT USED
LED13	RED	---	FUSE 7	PIN 10	CR7	TAG LEFT REAR LOWER <CONTACT>
LED14	YELLOW	PIN 7	---	---	CR7	TAG LEFT REAR LOWER <COIL>
LED15	YELLOW	PIN 6	---	---	CR8	TAG RIGHT REAR LOWER<COIL>
LED16	RED	---	FUSE8	PIN 9	CR8	TAG RIGHT REAR LOWER<CONTACT>
LED17	YELLOW	PIN 5	---	---	CR9	TAG TRAVEL <COIL>
LED18	RED	---	FUSE 9	PIN 7	CR9	TAG TRAVEL <CONTACT>
LED19	YELLOW	PIN 4	---	---	CR10	TRAVEL <COIL>
LED20	RED	---	FUSE 10	PIN 8	CR10	TRAVEL <CONTACT>