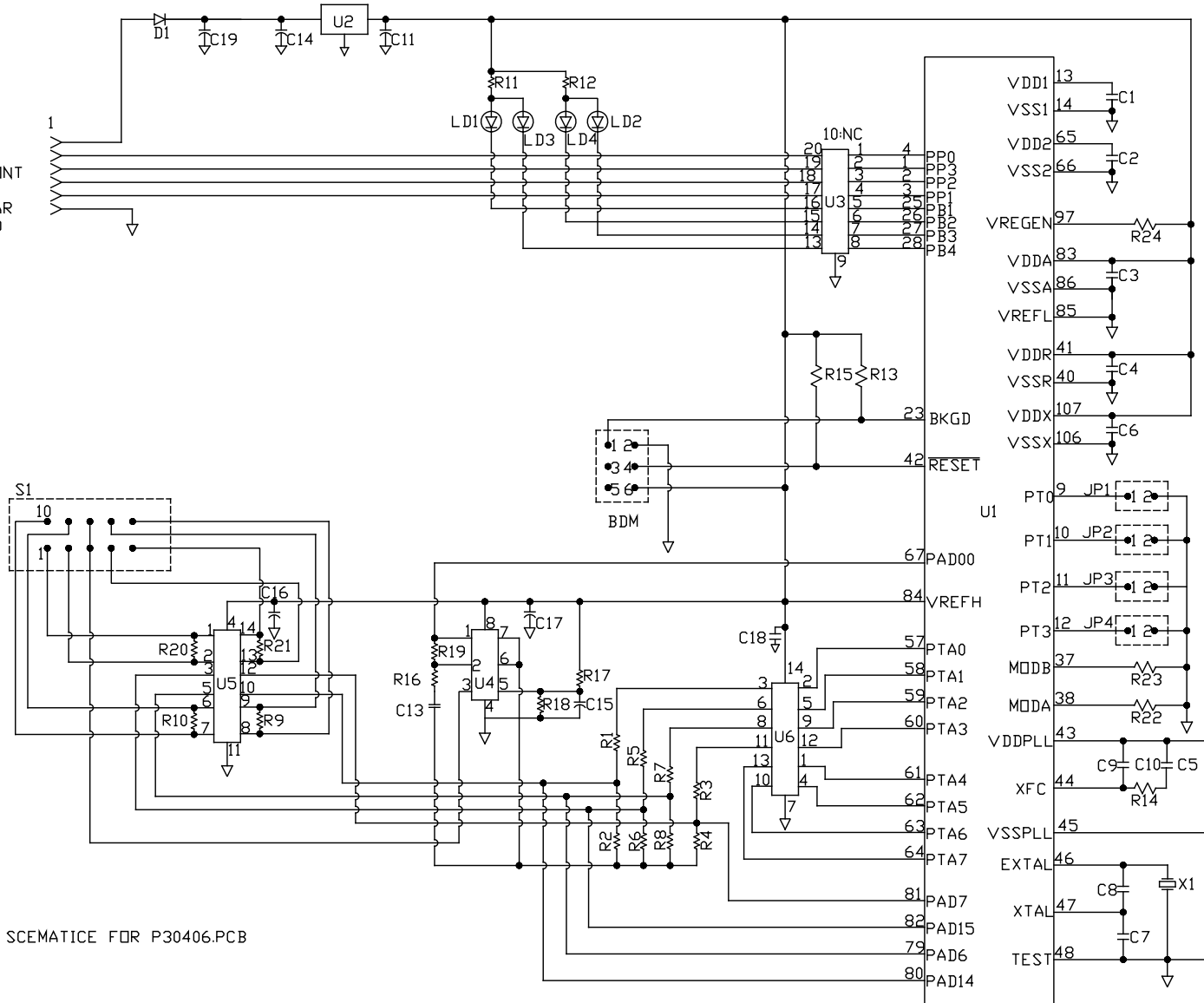


- 1 12V
- 2 LS
- 3 FRONT
- 4 RS
- 5 REAR
- 6 GND



SCHEMATIC FOR P30406.PCB

- PROG LINES TO PROCESSOR
- ADDED 14JUN01
- LEVEL INDICATOR LEDES
- ADDED 11JUL01
- C20 MOVED FROM 5V TO
- U6 PIN 6/7-12JUL01
- ADDED U6 (QUAD BUFFER)
- 14FEB02
- CHANGED TO -1.PCB 8AUG02
- MOVED LEDES, TIED TO 5V
- LEDES AND OUTPUT DRIVEN
- SEPARATELY ON U3
- ADDED CN2-CN5 FOR
- PROGRAMMING.
- CHANGED TO -2.PCB SEP 2002
- CHANGED MOUNTING HOLE TO
- SLOT.
- CHANGED TO -3.PCB 15DEC02
- REPLACE LINE FROM U1,27
- TO U3,7.
- CHANGED CN2-5 TO JP1-4
- CN1 TO BDM
- CHANGED CORRECTED U3 PIN_OUT
- P30406-1.PCB UPDATE