

AP25922 CN1 (BLACK)
PIN
1 BLK(W7696) SYSTEM WAKE UP
2 N/C
3 RED(W6800) SW BATT
4 WHT(W6230) GND
5 CAN SHIELD
6 RED(W6110) IGNITION
7 GRN CAN LOW
8 YEL CAN HI

AP25922 CN10 (GRAY)
PIN
1 BLK(W7599) SWITCH LIGHT CONTROL
2 RED(W6100) RESET OUT
3 BLK(W7550) RESET IN
4 RED(W6121) WARNING LIGHT SUPPLY
5 WHT(W6230) SWITCH LIGHT SUPPLY
6 BLK(W7699) WARNING LIGHT/BUZZER CONTROL

AP25922 CN11 (GRAY)
PIN
1 RED(W6110) IGNITION
2 N/C
3 KEY PIN
4 N/C
5 RED(W6120) ACCESSORY
6 RED(W6100) HOUSE BATTERY
7 WHT(W6230) GROUND
8 N/C
9 N/C
10 N/C
11 BLK(W9000) PARK BRAKE SWITCH
12 RED(W6101) ENGINE BATTERY

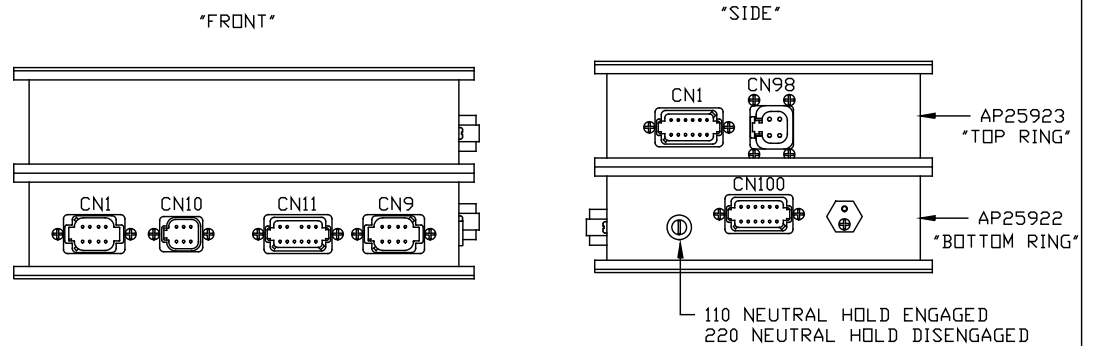
AP25922 CN9 (GREEN)
PIN
1 BLK(W8500) MASTER RELAY CONTROL
2 N/C
3 N/C
4 N/C
5 BLK(W9900) SPEED SWITCH
6 N/C
7 N/C
8 WHT(W6231) GROUND (MASTER RELAY SUPPLY)

AP25923 CN98 (GRAY)
PIN
1 BLK(W6801) SW BATT
2 BLK(W6801) SW BATT
3 WHT(W6231) GND
4 WHT(W6231) GND

AP25923 CN1 (BROWN)
PIN
1 N/C
2 BLK(W1500) LEFT FRONT RAISE
3 BLK(W1600) LEFT FRONT LOWER
4 BLK(W2500) RIGHT FRONT RAISE
5 BLK(W2600) RIGHT FRONT LOWER
6 BLK(W9700) COMPRESSOR
7 N/C
8 BLK(W1700) FRONT TRAVEL
9 N/C
10 N/C
11 WHT(W6254) GROUND
12 N/C

AP25922 CN100 (GRAY)
PIN
1 N/C
2 BLK(W1210) LEFT FRONT PSW
3 BLK(W2210) RIGHT FRONT PSW
4 N/C
5 N/C
6 WHT(W6231) GROUND
7 N/C
8 N/C
9 N/C
10 N/C
11 BLK(W7521) TAG DUMP SW.
12 N/C

AP2450
CENTRAL CONTROL/FRONT AIR
MODULE

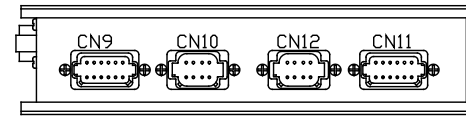
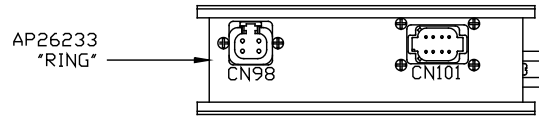


		HWH		I-80 EXIT 267 SOUTH RT 1 MOSCOW, IOWA 52760	
		SCALE 1:3	DATE 24OCT01	DRAWN BY .	
1	25MAY06	REMOVED FRONT SYS PSW			
NO.	DATE	REVISION			
THE INFORMATION DISCLOSED ON THIS DRAWING IS CONFIDENTIAL AND MUST NOT BE DISCLOSED OR USED IN ANY MANNER WHICH WILL BE DETRIMENTAL TO THE HWH CORPORATION					
				DRAWING NUMBER MP88688 A/R	

SYSTEM SCHEMATIC ELEC

AP25429
ELECTRIC TRAIN SLIDE
MODULE

ROOM 1



AP26233 CN9 (GRAY)

PIN

1	BLK(W5731) TR CYL. INFRARED SENSOR
2	BLK(W5732) TL CYL. INFRARED SENSOR
3	BLK(W5733) BR CYL. INFRARED SENSOR
4	BLK(W5734) BL CYL. INFRARED SENSOR
5	N/C
6	N/C
7	N/C
8	N/C
9	N/C
10	N/C
11	WHT(W6231) GROUND
12	RED(W6120) SW. BATTERY

AP26233 CN10 (GRAY)

PIN

1	N/C
2	BLK(W7510) READY TO OPERATE
3	BLK(W7530) CYLINDER RUN
4	BLK(W7501) ROOM EXTEND
5	BLK(W7502) ROOM RETRACT
6	RED(W6805) SW BATTERY
7	BLK(W7631) SYSTEM WAKE UP
8	WHT(W6230) GROUND

AP26233 CN12 (GREEN)

PIN

1	N/C
2	N/C
3	N/C
4	N/C
5	N/C
6	N/C
7	N/C
8	N/C

AP26233 CN 11 (BROWN)

PIN

1	N/C
2	BLK(W5061) TR CYL. RETRACT
3	BLK(W5066) BL CYL. EXTEND
4	BLK(W5063) BR CYL. RETRACT
5	BLK(W5062) BR CYL. EXTEND
6	N/C
7	BLK(W5060) TR CYL. EXTEND
8	BLK(W5064) TL CYL. EXTEND
9	N/C
10	BLK(W5067) BL CYL. RETRACT
11	BLK(W5065) TL CYL. RETRACT
12	N/C

AP26233 CN101 (BLACK)

PIN

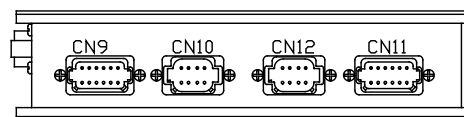
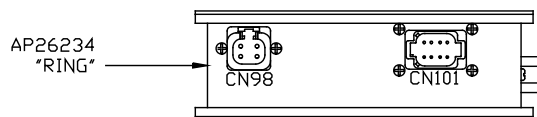
1	BLK(W7696) SYSTEM WAKE UP
2	N/C
3	RED(W6800) SW BATT
4	WHT(W6230) GROUND
5	CAN SHIELD
6	RED(W6110) IGNITION
7	GRN CAN LOW
8	YEL CAN HI

AP26233 CN98 (GRAY)

PIN

1	BLK(W6801) SW BATT
2	BLK(W6801) SW BATT
3	WHT(W6231) GND
4	WHT(W6231) GND

AP25447
ELECTRIC SINGLE CYL. ROOM
MODULE
ROOM 2



AP26234 CN9 (GRAY)

PIN
1 N/C
2 N/C
3 N/C
4 N/C
5 N/C
6 N/C
7 N/C
8 N/C
9 N/C
10 N/C
11 N/C
12 N/C

AP26234 CN10 (GRAY)

PIN
1 N/C
2 N/C
3 N/C
4 N/C
5 N/C
6 N/C
7 N/C
8 N/C

AP26234 CN12 (GREEN)

PIN
1 N/C
2 BLK(W7510) READY TO OPERATE
3 BLK(W7530) CYLINDER RUN
4 BLK(W7501) ROOM EXTEND
5 BLK(W7502) ROOM RETRACT
6 RED(W6805) SW BATTERY
7 BLK(W7631) SYSTEM WAKE UP
8 WHT(W6230) GROUND

AP26234 CN 11 (BROWN)

PIN
1 N/C
2 N/C
3 N/C
4 N/C
5 N/C
6 N/C
7 N/C
8 N/C
9 BLK(W5069) CYL. RETRACT
10 N/C
11 N/C
12 BLK(W5068) CYL. EXTEND

AP26234 CN101 (BLACK)

PIN
1 BLK(W7696) SYSTEM WAKE UP
2 N/C
3 RED(W6800) SW BATT
4 WHT(W6230) GROUND
5 CAN SHIELD
6 RED(W6110) IGNITION
7 GRN CAN LOW
8 YEL CAN HI

AP26234 CN98 (GRAY)

PIN
1 BLK(W6801) SW BATT
2 BLK(W6801) SW BATT
3 WHT(W6231) GND
4 WHT(W6231) GND

AP25431
REAR AIR MODULE

* DESIGNATES PIN 1 OF CONNECTORS

AP26117 CN1 (BROWN)
PIN

- 1 BLK(W3800) TAG LIFT
- 2 BLK(W4500) LEFT REAR RAISE
- 3 BLK(W4600) LEFT REAR LOWER
- 4 BLK(W3500) RIGHT REAR RAISE
- 5 BLK(W3600) RIGHT REAR LOWER
- 6 N/C
- 7 BLK(W3701) TAG TRAVEL
- 8 BLK(W3700) REAR TRAVEL
- 9 BLK(W3601) TAG RIGHT DUMP
- 10 BLK(W4601) TAG LEFT DUMP
- 11 WHT (W6258) GROUND
- 12 N/C

AP26117 CN98 (GRAY)
PIN

- 1 BLK(W6801) SW BATT
- 2 BLK(W6801) SW BATT
- 3 WHT(W6231) GROUND
- 4 WHT(W6231) GROUND

AP26116 CN9 (BLACK)
PIN

- 1 WHT(W7696) SYSTEM WAKE UP
- 2 N/C
- 3 RED(W6800) SW BATTERY
- 4 GRN(W6230) GROUND
- 5 CAN SHIELD
- 6 RED(W6110) IGNITION
- 7 GRN CAN LOW
- 8 YEL CAN HI

AP26116 CN10 (GRAY)
PIN

- 1 N/C
- 2 N/C
- 3 N/C
- 4 N/C
- 5 N/C
- 6 N/C

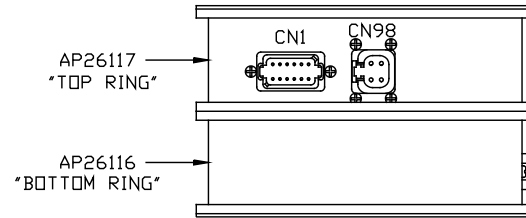
AP26116 CN12 (GRAY)
PIN

- 1 BLK(W4211) LEFT REAR TAG PRESS. SW.
- 2 BLK(W3211) RIGHT REAR TAG PRESS. SW.
- 3 BLK(W3215) SYSTEM PRESS. SW.
- 4 N/C
- 5 N/C
- 6 WHT(W6231) GROUND
- 7 N/C
- 8 N/C
- 9 N/C
- 10 N/C
- 11 N/C
- 12 N/C

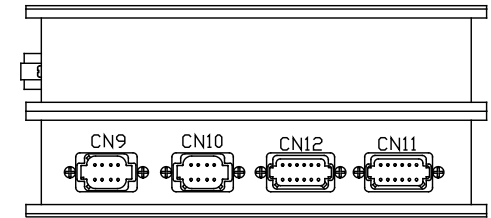
AP26116 CN11 (GREEN)
PIN

- 1 N/C
- 2 BLK(W4210) LEFT REAR PRESS. SW.
- 3 BLK(W3210) RIGHT REAR PRESS. SW.
- 4 N/C
- 5 N/C
- 6 WHT(W6232) GROUND
- 7 N/C
- 8 N/C
- 9 N/C
- 10 N/C
- 11 N/C
- 12 N/C

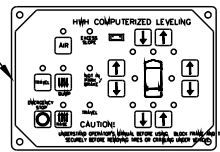
"SIDE"



"FRONT"



AP22703



5 1

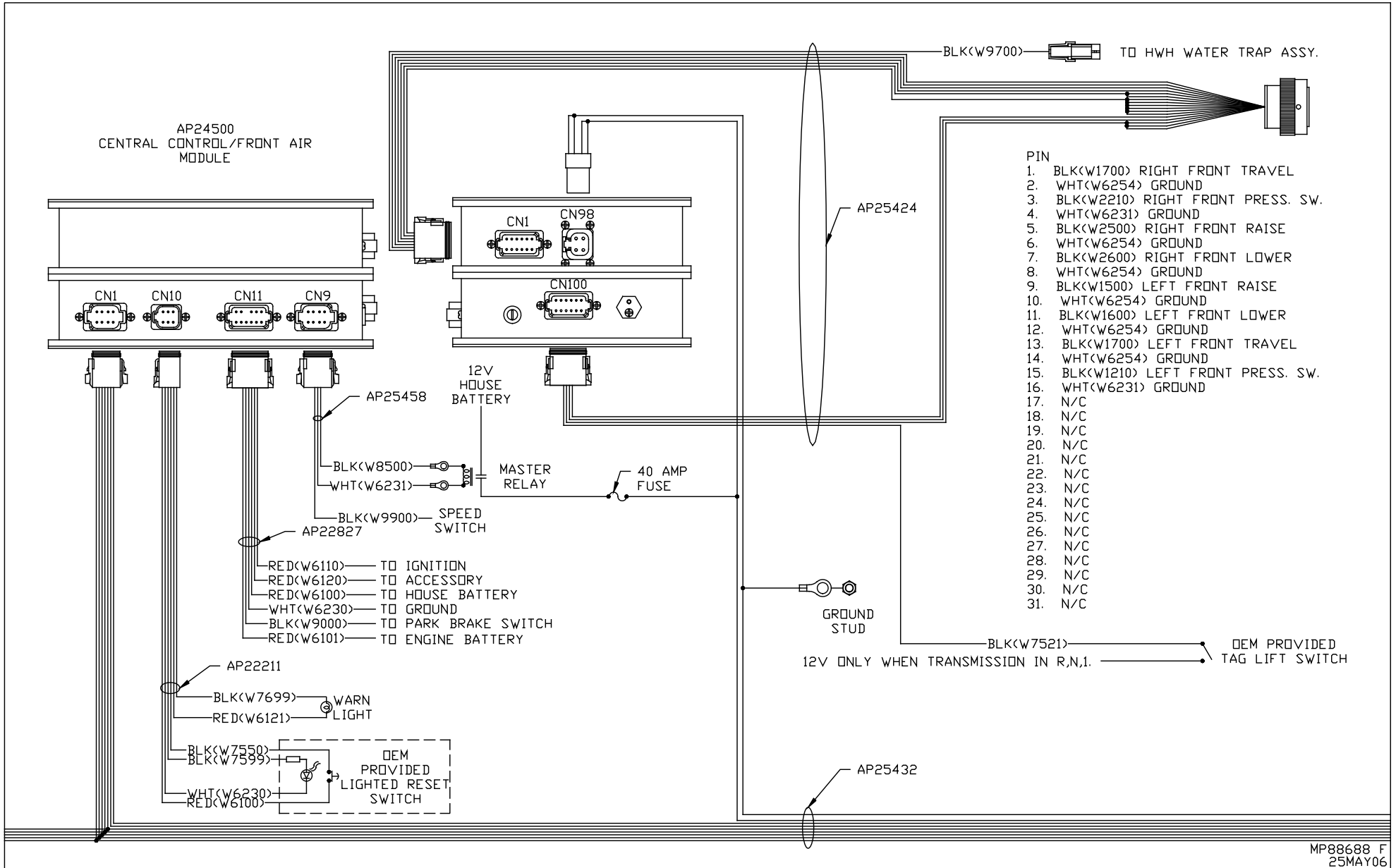
- PIN
- 1 YELLOW CAN HI
 - 2 GREEN CAN LOW
 - 3 CAN SHIELD
 - 4 WHT(W6230) GROUND
 - 5 BLK(W6800) SW. BATTERY

120 OHM
TERMINATION
RESISTOR
PART OF AP25625



AP25625







PIN

- 1. RIGHT FRONT TRAVEL
- 2. GROUND
- 3. RIGHT FRONT PRESS. SW.
- 4. GROUND
- 5. RIGHT FRONT RAISE
- 6. GROUND
- 7. RIGHT FRONT LOWER
- 8. GROUND
- 9. LEFT FRONT RAISE
- 10. GROUND
- 11. LEFT FRONT LOWER
- 12. GROUND
- 13. LEFT FRONT TRAVEL
- 14. GROUND
- 15. LEFT FRONT PRESS. SW.
- 16. GROUND
- 17. SYSTEM PRESS. SW.
- 18. GROUND
- 19. N/C
- 20. N/C
- 21. N/C
- 22. N/C
- 23. N/C
- 24. N/C
- 25. N/C
- 26. N/C
- 27. N/C
- 28. N/C
- 29. N/C
- 30. N/C
- 31. N/C

AP25285

FRONT AIR
MANIFOLD
CONNECTIONS

AP25625

LEFT FRONT RAISE

LEFT FRONT LOWER

RIGHT FRONT RAISE

RIGHT FRONT LOWER

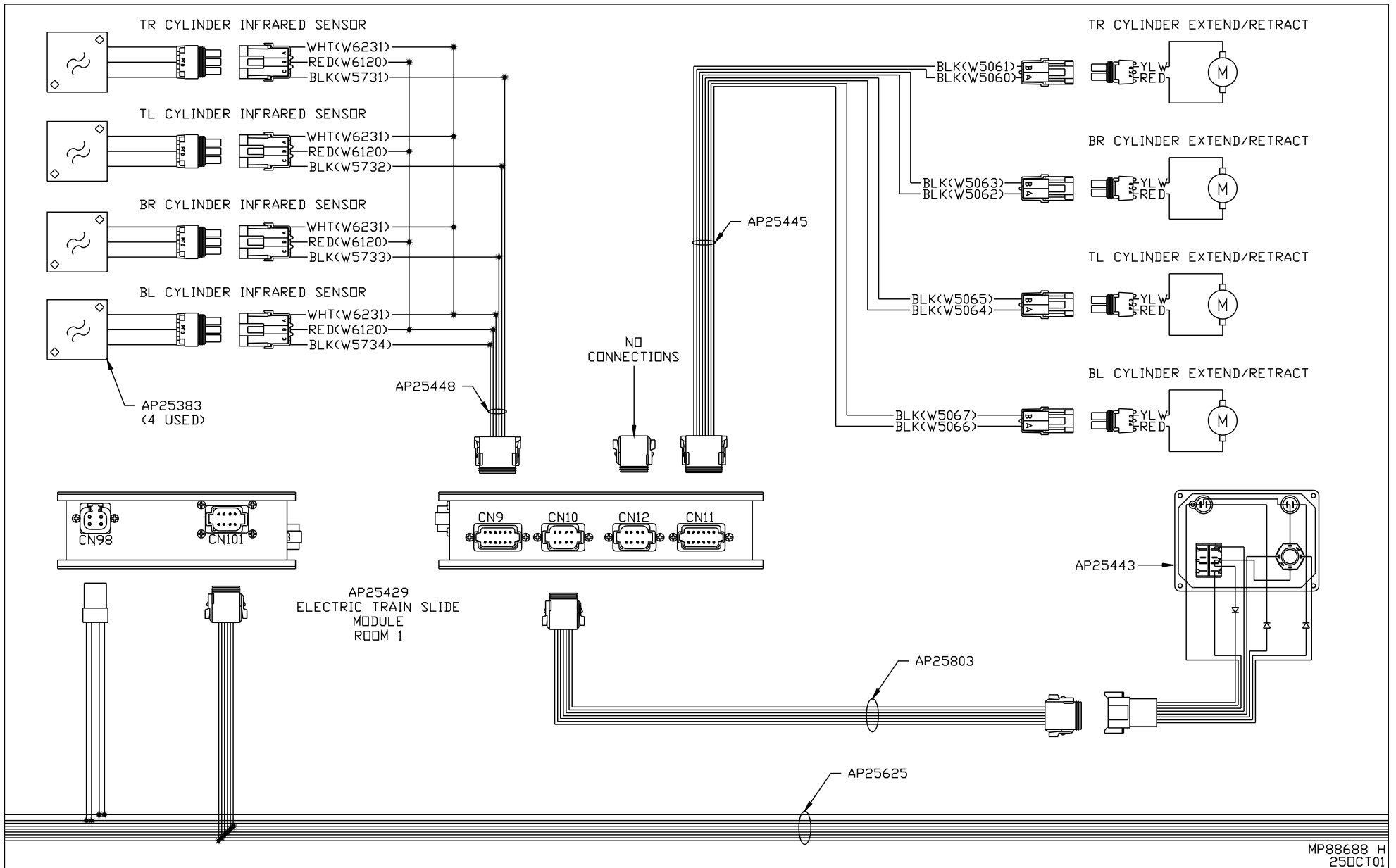
LEFT FRONT TRAVEL

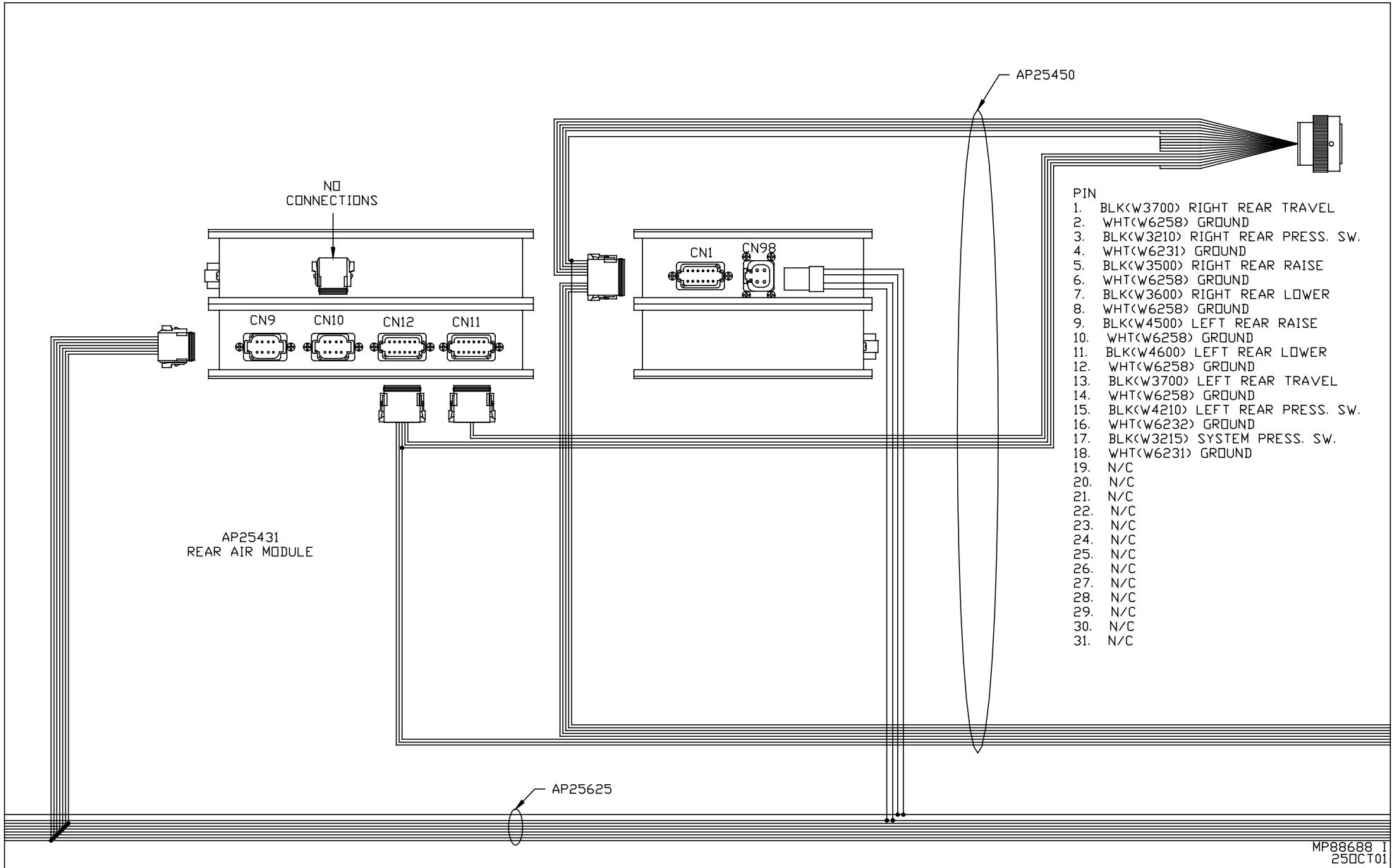
RIGHT FRONT TRAVEL

SYSTEM PRESSURE SWITCH
(WHERE APPLICABLE)

RIGHT FRONT PRESSURE SWITCH

LEFT FRONT PRESSURE SWITCH







- PIN
1. RIGHT REAR TRAVEL
 2. GROUND
 3. RIGHT REAR PRESS. SW.
 4. GROUND
 5. RIGHT REAR RAISE
 6. GROUND
 7. RIGHT REAR LOWER
 8. GROUND
 9. LEFT REAR RAISE
 10. GROUND
 11. LEFT REAR LOWER
 12. GROUND
 13. LEFT REAR TRAVEL
 14. GROUND
 15. LEFT REAR PRESS. SW.
 16. GROUND
 17. SYSTEM PRESS. SW.
 18. GROUND
 19. N/C
 20. N/C
 21. N/C
 22. N/C
 23. N/C
 24. N/C
 25. N/C
 26. N/C
 27. N/C
 28. N/C
 29. N/C
 30. N/C
 31. N/C

AP25285

REAR AIR
MANIFOLD
CONNECTIONS

LEFT REAR RAISE

LEFT REAR LOWER

RIGHT REAR RAISE

RIGHT REAR LOWER

LEFT REAR TRAVEL

RIGHT REAR TRAVEL

(WHERE APPLICABLE)
SYSTEM PRESSURE SWITCH

RIGHT REAR PRESSURE SWITCH

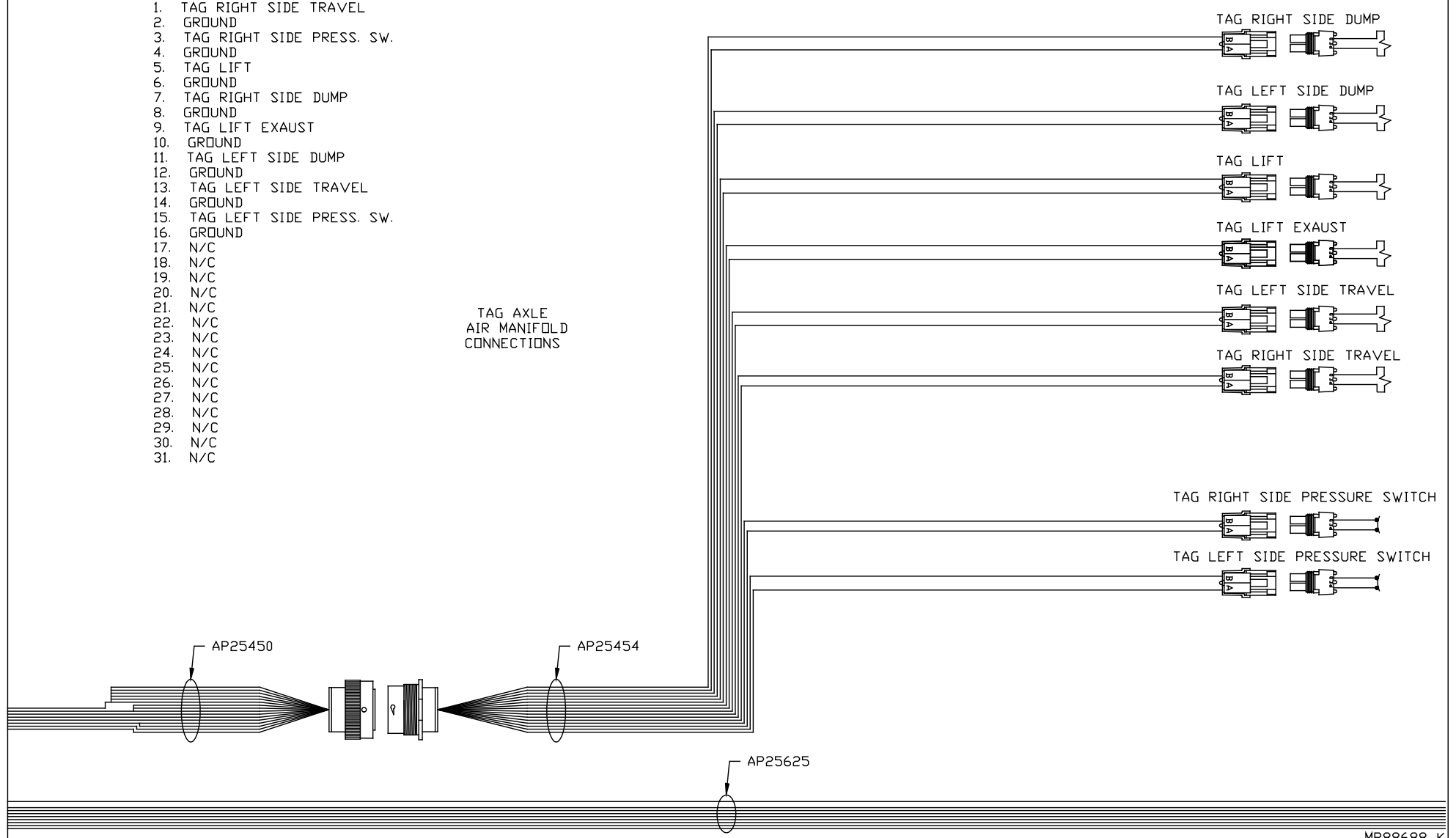
LEFT REAR PRESSURE SWITCH

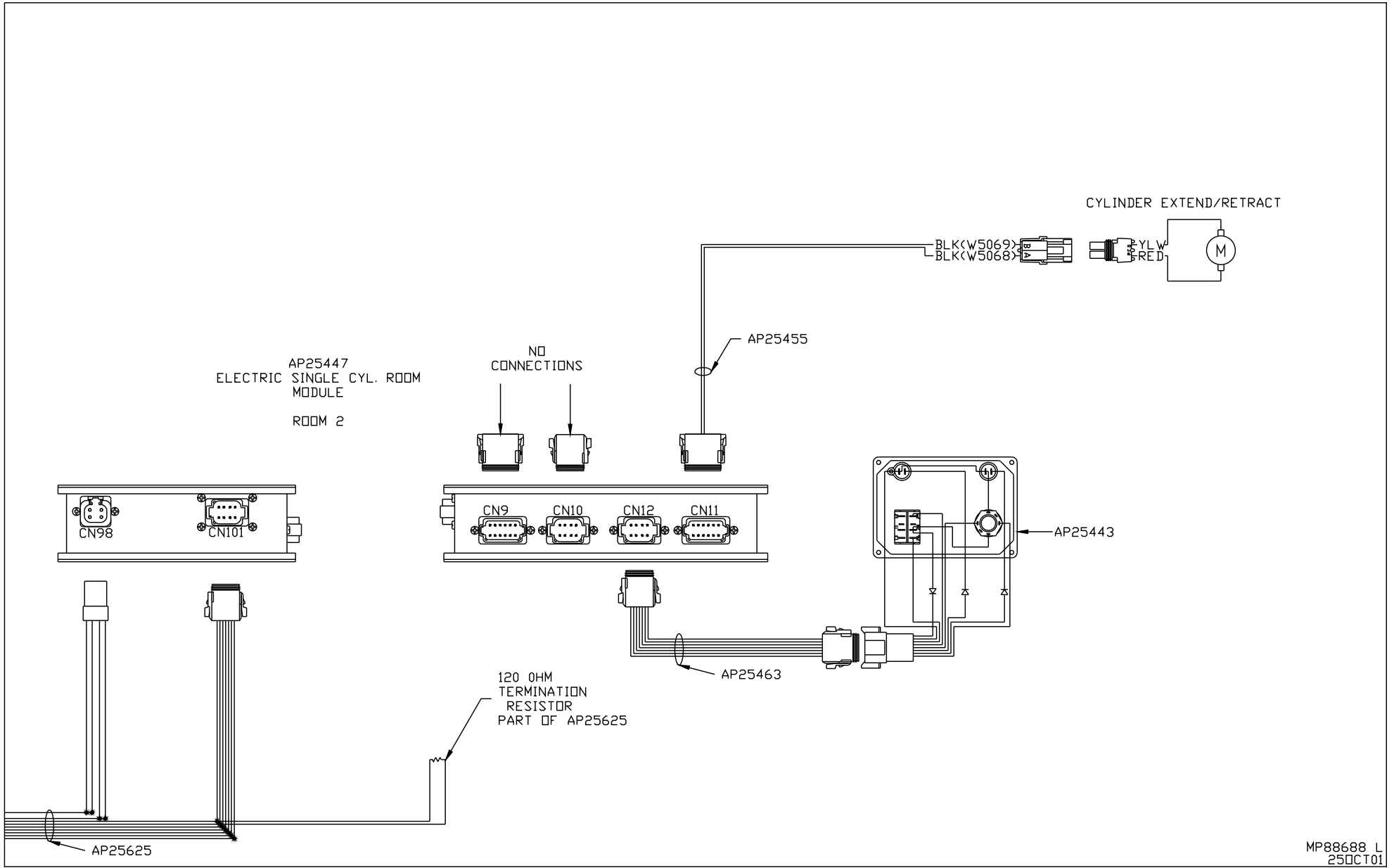
AP25450

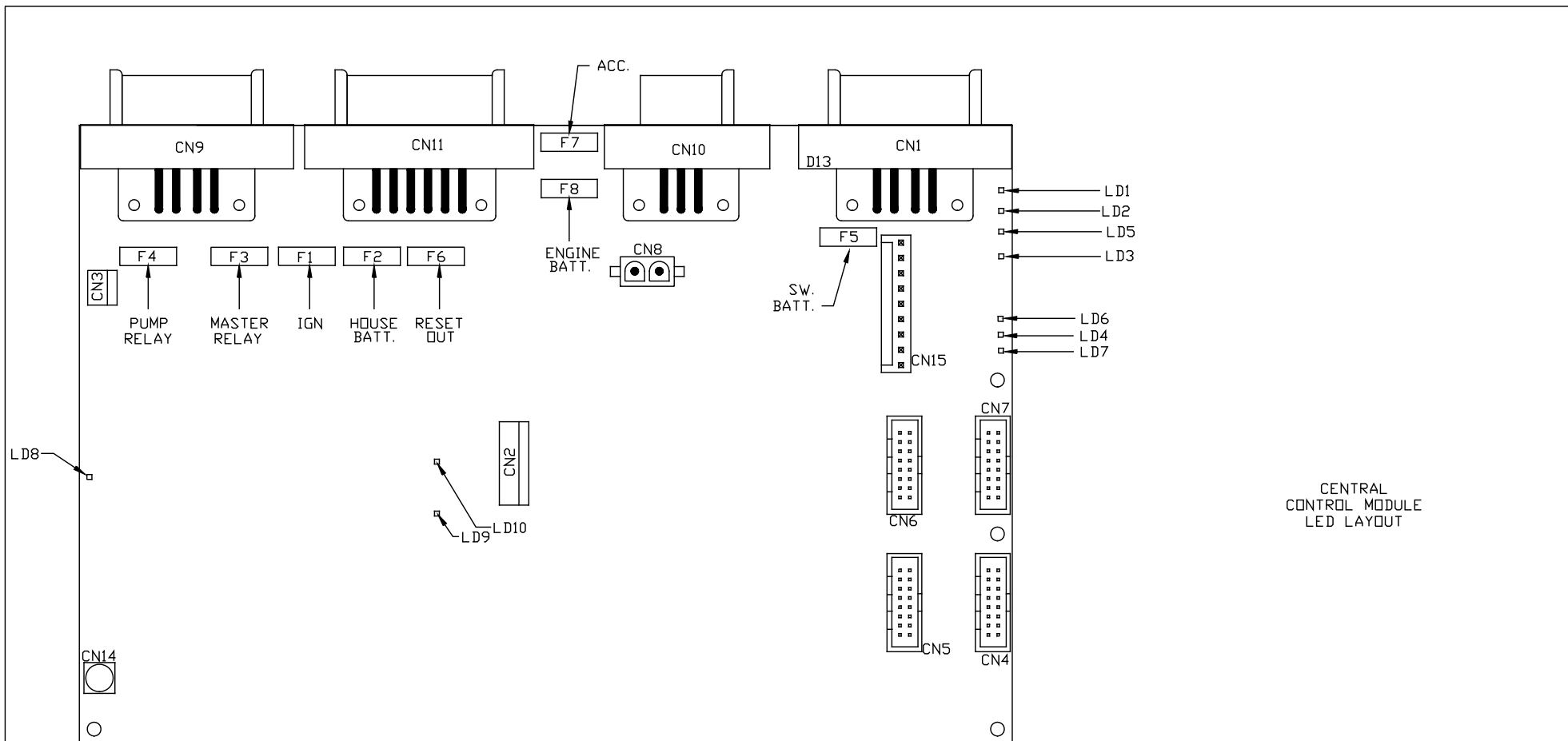
AP25625

- PIN
- 1. TAG RIGHT SIDE TRAVEL
 - 2. GROUND
 - 3. TAG RIGHT SIDE PRESS. SW.
 - 4. GROUND
 - 5. TAG LIFT
 - 6. GROUND
 - 7. TAG RIGHT SIDE DUMP
 - 8. GROUND
 - 9. TAG LIFT EXHAUST
 - 10. GROUND
 - 11. TAG LEFT SIDE DUMP
 - 12. GROUND
 - 13. TAG LEFT SIDE TRAVEL
 - 14. GROUND
 - 15. TAG LEFT SIDE PRESS. SW.
 - 16. GROUND
 - 17. N/C
 - 18. N/C
 - 19. N/C
 - 20. N/C
 - 21. N/C
 - 22. N/C
 - 23. N/C
 - 24. N/C
 - 25. N/C
 - 26. N/C
 - 27. N/C
 - 28. N/C
 - 29. N/C
 - 30. N/C
 - 31. N/C

TAG AXLE
AIR MANIFOLD
CONNECTIONS

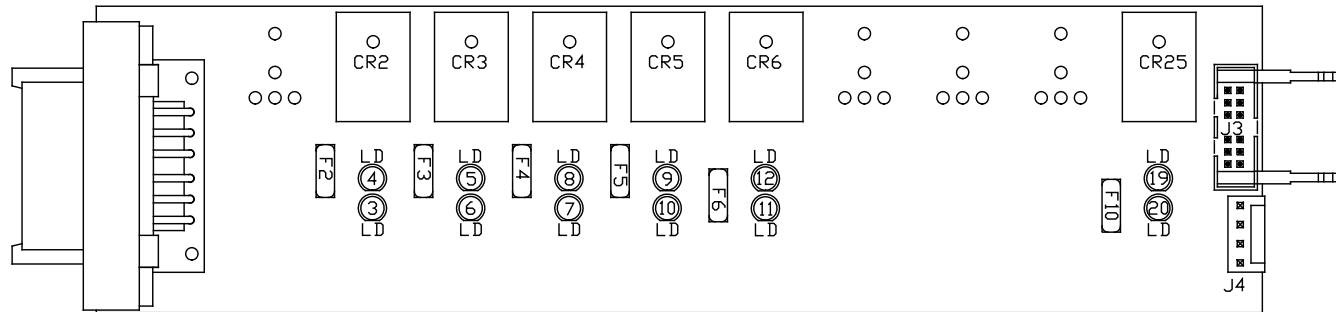






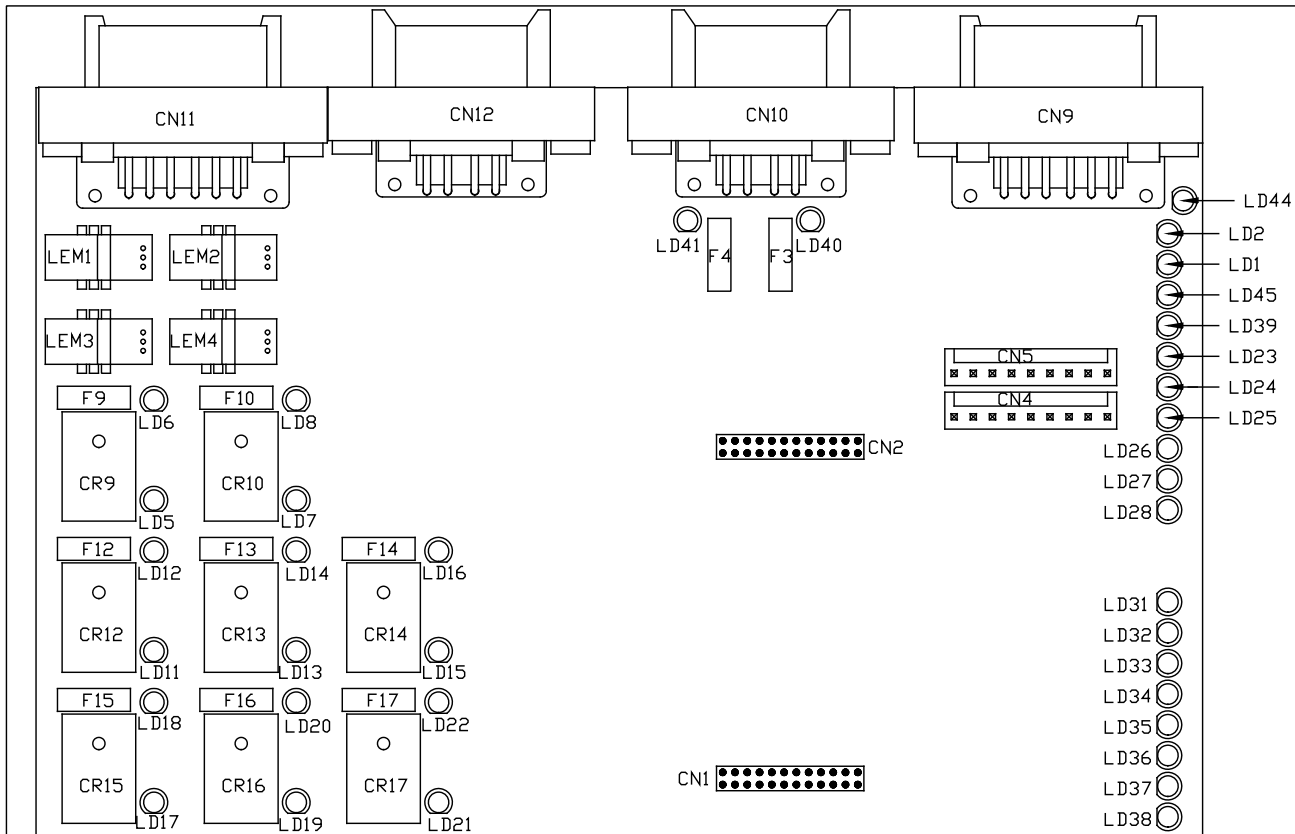
CENTRAL
CONTROL MODULE
LED LAYOUT

LED #	CONNECTOR	COLOR	DESCRIPTION
LED 1	CN 9 PIN 1	RED	MASTER RELAY
LED 2	NOT USED	NOT USED	NOT USED
LED 3	CN 1 PIN 3	RED	SW 12V
LED 4	CN 11 PIN 12	RED	ENGINE BATT
LED 5	CN 9 PIN 5	RED	SPEED SWITCH
LED 6	NOT USED	NOT USED	NOT USED
LED 7	CN 1 PIN 7 & 8	RED	LINK LIGHT
LED 8	NOT USED	NOT USED	NOT USED
LED 9	NOT USED	NOT USED	NOT USED
LED 10	NOT USED	NOT USED	NOT USED



FRONT AIR
OUTPUTS
LED LAYOUT

LED #	COLOR	INPUT J3	FUSE #	OUTPUT	RELAY #	DESCRIPTION
LED1	---	---	---	---	---	---
LED2	---	---	---	---	---	---
LED3	RED	---	FUSE 2	PIN 2	CR2	LEFT FRONT RAISE (CONTACT)
LED4	YELLOW	PIN 12	---	---	CR2	LEFT FRONT RAISE (COIL)
LED5	YELLOW	PIN 11	---	---	CR3	LEFT FRONT LOWER (COIL)
LED6	RED	---	FUSE 3	PIN 3	CR3	LEFT FRONT LOWER (CONTACT)
LED7	RED	---	FUSE 4	PIN 4	CR4	RIGHT FRONT RAISE (CONTACT)
LED8	YELLOW	PIN 10	---	---	CR4	RIGHT FRONT RAISE (COIL)
LED9	YELLOW	PIN 9	---	---	CR5	RIGHT FRONT LOWER (COIL)
LED10	RED	---	FUSE 5	PIN 5	CR5	RIGHT FRONT LOWER (CONTACT)
LED11	RED	---	FUSE 6	PIN 6	CR6	COMPRESSOR (CONTACT)
LED12	YELLOW	PIN 8	---	---	CR6	COMPRESSOR (COIL)
LED13	---	---	---	---	---	---
LED14	---	---	---	---	---	---
LED15	---	---	---	---	---	---
LED16	---	---	---	---	---	---
LED17	---	---	---	---	---	---
LED18	---	---	---	---	---	---
LED19	YELLOW	PIN 4	---	---	CR25	TRAVEL (COIL)
LED20	RED	---	FUSE 10	PIN 8	CR25	TRAVEL (CONTACT)

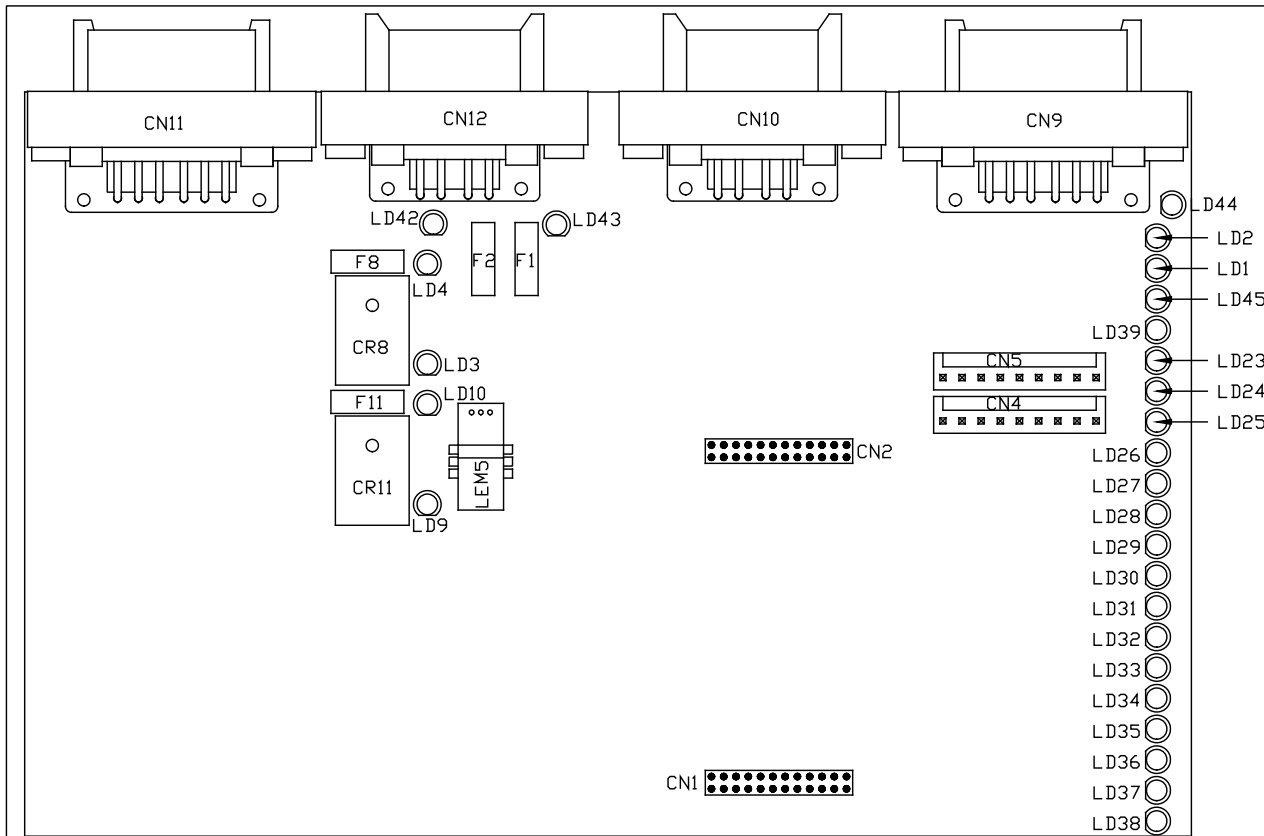


PART	RATING	COLOR	DESCRIPTION
F1	2 AMP	CLEAR	ERE RDY TO OPERATE
F2	2 AMP	CLEAR	ERE CYLINDER RUN
F3	2 AMP	CLEAR	ETSLD RDY TO OPERATE
F4	2 AMP	CLEAR	ETSLD CYLINDER RUN
F8	15 AMP	BLUE	ERE CYL EXTEND
F9	15 AMP	BLUE	TR CYL EXTEND
F10	15 AMP	BLUE	TR CYL RETRACT
F11	15 AMP	BLUE	ERE CYL RETRACT
F12	15 AMP	BLUE	TL CYL EXTEND
F13	15 AMP	BLUE	TL CYL RETRACT
F14	15 AMP	BLUE	BL CYL EXTEND
F15	15 AMP	BLUE	BR CYL EXTEND
F16	15 AMP	BLUE	BR CYL RETRACT
F17	15 AMP	BLUE	BL CYL RETRACT

ROOM 1
ELECTRIC TRAIN SLIDE
BOARD LAYOUT

LD #	CONNECTOR	COLOR	DESCRIPTION	LD #	CONNECTOR	COLOR	DESCRIPTION	LD #	CONNECTOR	COLOR	DESCRIPTION
LD 1	CN 9 PIN 4	RED	BL I/R SENSOR	LD 16	CN11 PIN 3	RED	BL CYL EXT CNT	LD 31	NA	GREEN	TL CYL EXT CUR.
LD 2	NA	RED	SPARE	LD 17	NA	YELLOW	BR CYL EXT COIL	LD 32	NA	YELLOW	TL CYL RET CUR.
LD 3	NA	YELLOW	RE CYL EXT COIL	LD 18	CN11 PIN 5	RED	BR CYL EXT CNT	LD 33	NA	GREEN	BL CYL EXT CUR.
LD 4	CN11 PIN 12	RED	RE CYL EXT CNT	LD 19	NA	YELLOW	BR CYL RET COIL	LD 34	NA	YELLOW	BL CYL RET CUR.
LD 5	NA	YELLOW	TR CYL EXT COIL	LD 20	CN11 PIN 4	RED	BR CYL RET CNT	LD 35	NA	GREEN	TR CYL EXT CUR.
LD 6	CN 11 PIN 7	RED	TR CYL EXT CNT	LD 21	NA	YELLOW	BL CYL RET COIL	LD 36	NA	YELLOW	TR CYL RET CUR.
LD 7	NA	YELLOW	TR CYL RET COIL	LD 22	CN 11 PIN 10	RED	BL CYL RET CNT	LD 37	NA	GREEN	BR CYL EXT CUR.
LD 8	CN11 PIN 2	RED	TR CYL RET CNT	LD 23	CN10 PIN 5	RED	TL SLD RETRACT	LD 38	NA	YELLOW	BR CYL RET CUR.
LD 9	NA	YELLOW	ERE RET COIL	LD 24	CN10 PIN 4	RED	TSLD EXTEND	LD 39	CN10/CN12 PIN 7	RED	SYSTEM WAKE UP
LD 10	CN11 PIN 9	RED	ERE RET CNT	LD 25	CN12 PIN 5	RED	ERE RETRACT	LD 40	CN12 PIN 3	RED	ETSLD RDY TO OP
LD 11	NA	YELLOW	TL CYL EXT COIL	LD 26	CN12 PIN 4	RED	ERE EXTEND	LD 41	CN12 PIN 2	RED	ETSLD CYL. RUN
LD 12	CN11 PIN 8	RED	TL CYL EXT CNT	LD 27	CN9 PIN 2	RED	TL I/R SENSOR	LD 42	CN12 PIN 3	RED	ERE CYL. RUN
LD 13	NA	YELLOW	TL CYL RET COIL	LD 28	CN9 PIN 1	RED	TR I/R SENSOR	LD 43	CN12 PIN 2	RED	ERE RDY TO OP
LD 14	CN11 PIN 11	RED	TL CYL RET CNT	LD 29	NA	GREEN	RE CYL EXT CUR.	LD 44	NA	RED	SPARE
LD 15	NA	YELLOW	BL CYL EXT COIL	LD 30	NA	YELLOW	RE CYL RET CUR.	LD 45	CN9 PIN 3	RED	BR I/R SENSOR

MP88688 0
250CT01

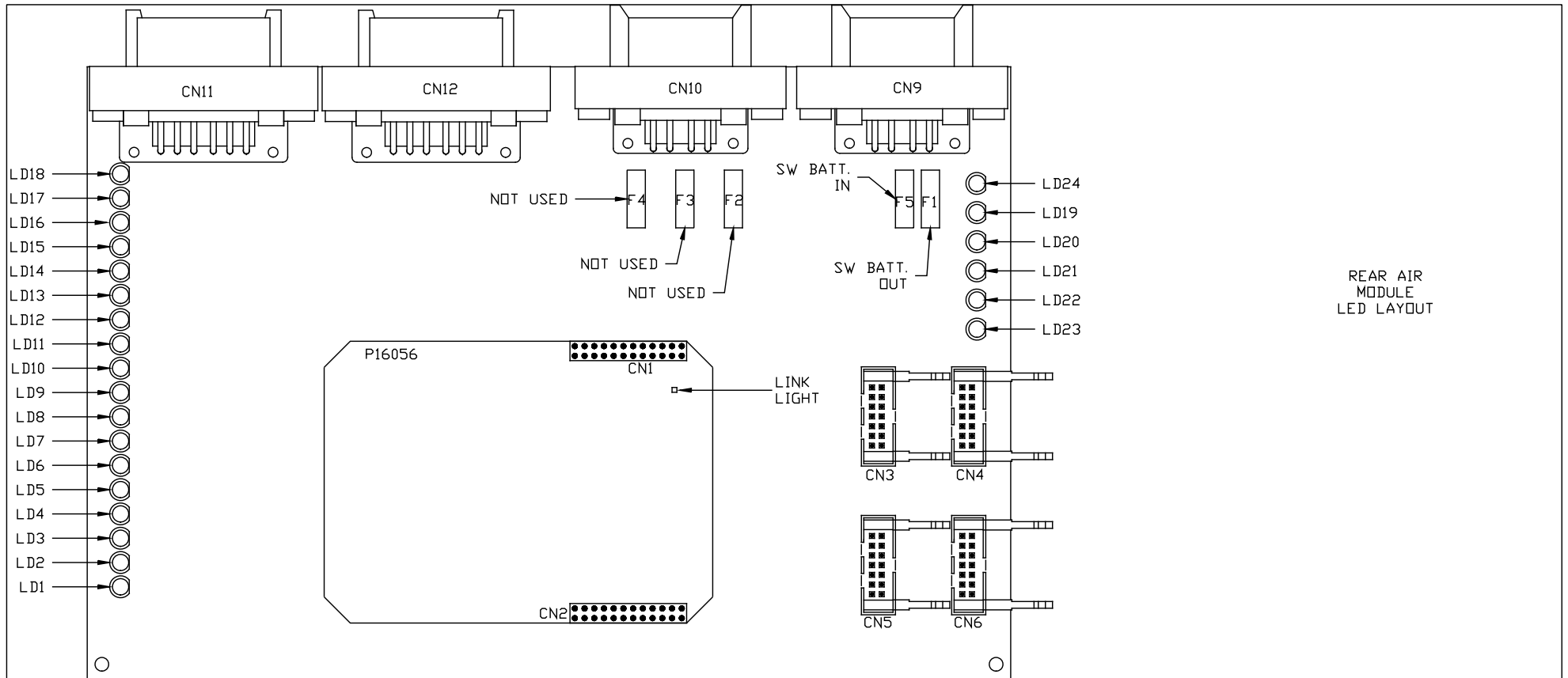


PART	RATING	COLOR	DESCRIPTION
F1	2 AMP	CLEAR	ERE RDY TO OPERATE
F2	2 AMP	CLEAR	ERE CYLINDER RUN
F3	2 AMP	CLEAR	ETSLD RDY TO OPERATE
F4	2 AMP	CLEAR	ETSLD CYLINDER RUN
F8	15 AMP	BLUE	ERE CYL EXTEND
F9	15 AMP	BLUE	TR CYL EXTEND
F10	15 AMP	BLUE	TR CYL RETRACT
F11	15 AMP	BLUE	ERE CYL RETRACT
F12	15 AMP	BLUE	TL CYL EXTEND
F13	15 AMP	BLUE	TL CYL RETRACT
F14	15 AMP	BLUE	BL CYL EXTEND
F15	15 AMP	BLUE	BR CYL EXTEND
F16	15 AMP	BLUE	BR CYL RETRACT
F17	15 AMP	BLUE	BL CYL RETRACT

ROOM 2
SINGLE CYLINDER
PARTS LAYOUT

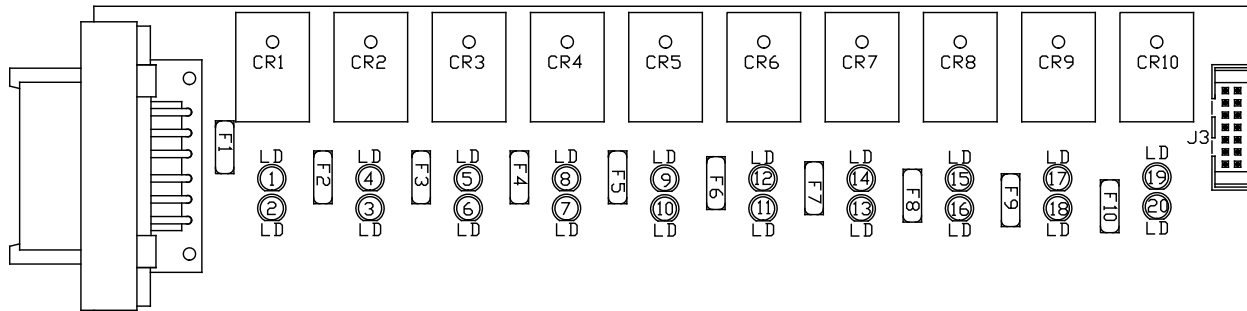
LD #	CONNECTOR	COLOR	DESCRIPTION	LD #	CONNECTOR	COLOR	DESCRIPTION	LD #	CONNECTOR	COLOR	DESCRIPTION
LD 1	CN 9 PIN 4	RED	BL I/R SENSOR	LD 16	CN11 PIN 3	RED	BL CYL EXT CNT	LD 31	NA	GREEN	TL CYL EXT CUR.
LD 2	NA	RED	SPARE	LD 17	NA	YELLOW	BR CYL EXT COIL	LD 32	NA	YELLOW	TL CYL RET CUR.
LD 3	NA	YELLOW	RE CYL EXT COIL	LD 18	CN11 PIN 5	RED	BR CYL EXT CNT	LD 33	NA	GREEN	BL CYL EXT CUR.
LD 4	CN11 PIN 12	RED	RE CYL EXT CNT	LD 19	NA	YELLOW	BR CYL RET COIL	LD 34	NA	YELLOW	BL CYL RET CUR.
LD 5	NA	YELLOW	TR CYL EXT COIL	LD 20	CN11 PIN 4	RED	BR CYL RET CNT	LD 35	NA	GREEN	TR CYL EXT CUR.
LD 6	CN 11 PIN 7	RED	TR CYL EXT CNT	LD 21	NA	YELLOW	BL CYL RET COIL	LD 36	NA	YELLOW	TR CYL RET CUR.
LD 7	NA	YELLOW	TR CYL RET COIL	LD 22	CN 11 PIN 10	RED	BL CYL RET CNT	LD 37	NA	GREEN	BR CYL EXT CUR.
LD 8	CN11 PIN 2	RED	TR CYL RET CNT	LD 23	CN10 PIN 5	RED	TSLD RETRACT	LD 38	NA	YELLOW	BR CYL RET CUR.
LD 9	NA	YELLOW	ERE RET COIL	LD 24	CN10 PIN 4	RED	TSLD EXTEND	LD 39	CN10/CN12 PIN 7	RED	SYSTEM WAKE UP
LD 10	CN11 PIN 9	RED	ERE RET CNT	LD 25	CN12 PIN 5	RED	ERE RETRACT	LD 40	CN12 PIN 3	RED	ETSLD RDY TO OP
LD 11	NA	YELLOW	TL CYL EXT COIL	LD 26	CN12 PIN 4	RED	ERE EXTEND	LD 41	CN12 PIN 2	RED	ETSLD CYL. RUN
LD 12	CN11 PIN 8	RED	TL CYL EXT CNT	LD 27	CN9 PIN 2	RED	TL I/R SENSOR	LD 42	CN12 PIN 3	RED	ERE CYL. RUN
LD 13	NA	YELLOW	TL CYL RET COIL	LD 28	CN9 PIN 1	RED	TR I/R SENSOR	LD 43	CN12 PIN 2	RED	ERE RDY TO OP
LD 14	CN11 PIN 11	RED	TL CYL RET CNT	LD 29	NA	GREEN	RE CYL EXT CUR.	LD 44	NA	RED	SPARE
LD 15	NA	YELLOW	BL CYL EXT COIL	LD 30	NA	YELLOW	RE CYL RET CUR.	LD 45	CN9 PIN 3	RED	BR I/R SENSOR

MP88688 P
25OCT01



LED #	CONNECTOR	COLOR	DESCRIPTION
LED 1	NOT USED	RED	NOT USED
LED 2	NOT USED	RED	NOT USED
LED 3	NOT USED	GREEN	NOT USED
LED 4	NOT USED	YELLOW	NOT USED
LED 5	CN11 PIN 2	YELLOW	LR PRESS SW
LED 6	NOT USED	YELLOW	NOT USED
LED 7	CN11 PIN 3	GREEN	RR PRESS SW
LED 8	CN 12 PIN 3	GREEN	SYSTEM PRESS SW
LED 9	NOT USED	GREEN	NOT USED
LED 10	NOT USED	GREEN	NOT USED
LED 11	NOT USED	YELLOW	NOT USED
LED 12	CN12 PIN 1	YELLOW	LR TAG PRESS SW
LED 13	NOT USED	YELLOW	RR TAG PRESS SW
LED 14	NOT USED	YELLOW	NOT USED

LED #	CONNECTOR	COLOR	DESCRIPTION
LED 15	NOT USED	GREEN	NOT USED
LED 16	NOT USED	GREEN	NOT USED
LED 17	NOT USED	GREEN	NOT USED
LED 18	NOT USED	GREEN	NOT USED
LED 19	NOT USED	RED	SW BATT OUT
LED 20	NOT USED	RED	SW BATT IN
LED 21	NOT USED	RED	NOT USED
LED 22	NOT USED	RED	NOT USED
LED 23	NOT USED	RED	NOT USED
LED 24	NOT USED	RED	NOT USED
LED 25	---	---	---
LED 26	---	---	---
LED 27	---	---	---
LED 28	---	---	---



LED #	COLOR	INPUT J3	FUSE #	OUTPUT	RELAY #	DESCRIPTION
LED1	YELLOW	PIN 13	---	---	CR1	TAG LIFT (COIL)
LED2	RED	---	FUSE 1	PIN 1	CR1	TAG LIFT (CONTACT)
LED3	RED	---	FUSE 2	PIN 2	CR2	LEFT REAR RAISE (CONTACT)
LED4	YELLOW	PIN 12	---	---	CR2	LEFT REAR RAISE (COIL)
LED5	YELLOW	PIN 11	---	---	CR3	LEFT REAR LOWER (COIL)
LED6	RED	---	FUSE 3	PIN 3	CR3	LEFT REAR LOWER (CONTACT)
LED7	RED	---	FUSE 4	PIN 4	CR4	RIGHT REAR RAISE (CONTACT)
LED8	YELLOW	PIN 10	---	---	CR4	RIGHT REAR RAISE (COIL)
LED9	YELLOW	PIN 9	---	---	CR5	RIGHT REAR LOWER (COIL)
LED10	RED	---	FUSE 5	PIN 5	CR5	RIGHT REAR LOWER (CONTACT)
LED11	RED	---	FUSE 6	PIN 6	CR6	NOT USED
LED12	YELLOW	PIN 8	---	---	CR6	NOT USED
LED13	RED	---	FUSE 7	PIN 10	CR7	TAG LEFT REAR LOWER (CONTACT)
LED14	YELLOW	PIN 7	---	---	CR7	TAG LEFT REAR LOWER (COIL)
LED15	YELLOW	PIN 6	---	---	CR8	TAG RIGHT REAR LOWER (COIL)
LED16	RED	---	FUSE 8	PIN 9	CR8	TAG RIGHT REAR LOWER (CONTACT)
LED17	YELLOW	PIN 5	---	---	CR9	TAG TRAVEL (COIL)
LED18	RED	---	FUSE 9	PIN 7	CR9	TAG TRAVEL (CONTACT)
LED19	YELLOW	PIN 4	---	---	CR10	TRAVEL (COIL)
LED20	RED	---	FUSE 10	PIN 8	CR10	TRAVEL (CONTACT)

REAR AIR
OUTPUT
LED LAYOUT