

AP27608 (BROWN)
PIN

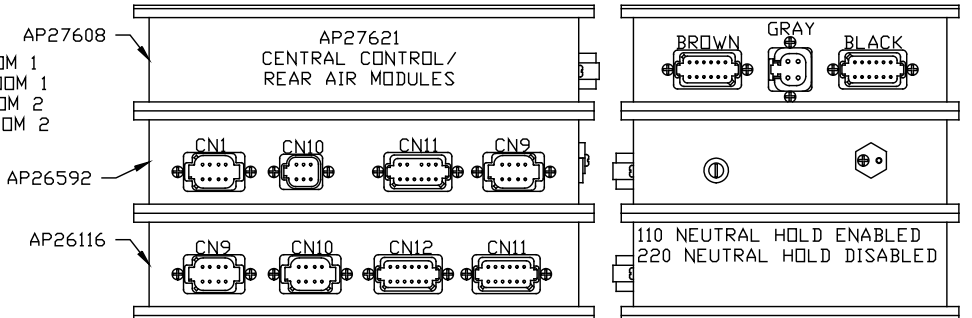
- 1 BLK(W3800) TAG LIFT
- 2 BLK(W4500) LEFT REAR RAISE
- 3 BLK(W4600) LEFT REAR LOWER
- 4 BLK(W3500) RIGHT REAR RAISE
- 5 BLK(W3600) RIGHT REAR LOWER
- 6 N/C
- 7 BLK(W3701) TAG TRAVEL
- 8 BLK(W3700) REAR TRAVEL
- 9 BLK(W3601) TAG RIGHT DUMP
- 10 BLK(W4601) TAG LEFT DUMP
- 11 WHT(W6258) GROUND
- 12 N/C

AP27608 (GRAY)
PIN

- 1 BLK(W6800) SW BATT
- 2 BLK(W6800) SW BATT
- 3 WHT(W6230) GND
- 4 WHT(W6230) GND

AP27608 (BLACK)
PIN

- 1 BLK(W5050) EXTEND CYL. ROOM 1
- 2 BLK(W5150) RETRACT CYL ROOM 1
- 3 BLK(W5051) EXTEND CYL. ROOM 2
- 4 BLK(W5151) RETRACT CYL ROOM 2
- 5 N/C
- 6 N/C
- 7 N/C
- 8 N/C
- 9 N/C
- 10 N/C
- 11 N/C
- 12 N/C



AP26592 CN1(BLACK)
PIN

- 1 BLK(W7696) SYSTEM WAKE UP
- 2 N/C
- 3 RED(W6800) SW BATT
- 4 WHT(W6230) GROUND
- 5 CAN SHIELD
- 6 RED(W6110) IGNITION
- 7 GRN CAN LOW
- 8 YEL CAN HI

AP26592 CN10(GRAY)
PIN

- 1 BLK(W7599) SWITCH LIGHT CONTROL
- 2 N/C
- 3 BLK(W7550) RESET IN
- 4 N/C
- 5 N/C
- 6 BLK(W7699) WARN LIGHT/BUZZER CONTROL

AP26592 CN11(GRAY)
PIN

- 1 RED(W6110) IGNITION
- 2 N/C
- 3 N/C
- 4 N/C
- 5 RED(W6120) ACCESSORY
- 6 RED(W6100) HOUSE BATTERY
- 7 WHT(W6230) GROUND
- 8 N/C
- 9 N/C
- 10 N/C
- 11 BLK(W9000) PARK BRAKE SWITCH
- 12 RED(W6101) ENGINE BATTERY

AP26592 CN9(GREEN)
PIN

- 1 BLK(W8500) MASTER RELAY CONTROL
- 2 BLK(W8100) SYSTEM PSW
- 3 N/C
- 4 BLK(W8600) PMP RELAY CONTROL
- 5 BLK(W9900) SPEED SWITCH
- 6 BLK(W9901) PUMP MONITOR
- 7 N/C
- 8 N/C

AP26116 CN9(BLACK)
PIN

- 1 N/C
- 2 N/C
- 3 N/C
- 4 N/C
- 5 N/C
- 6 N/C
- 7 N/C
- 8 N/C

AP26116 CN10(GRAY)
PIN

- 1 N/C
- 2 BLK(W7510) READY TO OPERATE
- 3 BLK(W7530) PUMP
- 4 BLK(W7501) EXTEND (ROOM 2)
- 5 BLK(W7502) RETRACT (ROOM 2)
- 6 RED(W6805) SW BATTERY
- 7 BLK(W7631) SYSTEM WAKE UP
- 8 WHT(W6230) GROUND

AP26116 CN12(GRAY)
PIN

- 1 BLK(W4211) LEFT REAR TAG PRESS. SW.
- 2 BLK(W3211) RIGHT REAR TAG PRESS. SW.
- 3 BLK(W3215) SYSTEM PRESS. SW.
- 4 N/C
- 5 N/C
- 6 WHT(W6231) GROUND
- 7 N/C
- 8 N/C
- 9 N/C
- 10 BLK(W3210) RIGHT REAR PRESS. SW.
- 11 N/C
- 12 N/C

AP26116 CN11(GREEN)
PIN

- 1 N/C
- 2 N/C
- 3 N/C
- 4 N/C
- 5 N/C
- 6 WHT(W6232) GROUND
- 7 N/C
- 8 N/C
- 9 N/C
- 10 BLK(W4210) LEFT REAR PRESS. SW.
- 11 N/C
- 12 N/C

		HWH I-80 EXIT 267 SOUTH RT 1 MOSCOW, IOWA 52760	
		SCALE 1:3	DATE 04MAY02
		DRAWN BY .	
		SYSTEM SCHEMATIC ELEC	
NO.	DATE	REVISION	
THE INFORMATION DISCLOSED ON THIS DRAWING IS CONFIDENTIAL AND MUST NOT BE DISCLOSED OR USED IN ANY MANNER WHICH WILL BE DETRIMENTAL TO THE HWH CORPORATION		DRAWING NUMBER MP88861 A/1	

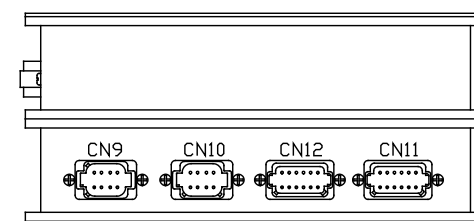
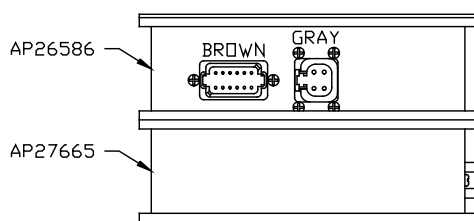
AP27669
FRONT AIR/ROOM 1 MODULE

AP26586 (BROWN)

- PIN
 1 N/C
 2 BLK(W1500) LEFT FRONT RAISE
 3 BLK(W1600) LEFT FRONT LOWER
 4 BLK(W2500) RIGHT FRONT RAISE
 5 BLK(W2600) RIGHT FRONT LOWER
 6 BLK(W9700) COMPRESSOR
 7 N/C
 8 BLK(W1700) FRONT TRAVEL
 9 N/C
 10 N/C
 11 WHT(W6254) GROUND
 12 N/C

AP26586 (GRAY)

- PIN
 1 BLK(W6800) SW BATT
 2 BLK(W6800) SW BATT
 3 WHT(W6230) GROUND
 4 WHT(W6230) GROUND



AP27665 CN9(BLACK)

- PIN
 1 WHT(W7696) SYSTEM WAKE UP
 2 N/C
 3 RED(W6800) SW BATTERY
 4 GRN(W6230) GROUND
 5 CAN SHIELD
 6 RED(W6110) IGNITION
 7 GRN CAN LOW
 8 YEL CAN HI

AP27665 CN10(GRAY)

- PIN
 1 N/C
 2 BLK(W7510) READY TO OPERATE
 3 BLK(W7530) PUMP
 4 BLK(W7501) EXTEND (ROOM 1)
 5 BLK(W7502) RETRACT (ROOM 1)
 6 RED(W6805) SW BATTERY
 7 BLK(W7631) SYSTEM WAKE UP
 8 WHT(W6230) GROUND

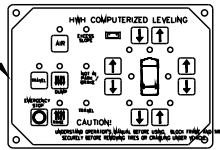
AP27665 CN12(GRAY)

- PIN
 1 N/C
 2 N/C
 3 N/C
 4 N/C
 5 N/C
 6 WHT(W6236) GROUND
 7 BLK(W6800) SW BATT
 8 N/C
 9 N/C
 10 BLK(W2210) RIGHT FRONT AIR PSW
 11 BLK(W7521) TAG LIFT SW
 12 N/C

AP27665 CN11(GREEN)

- PIN
 1 N/C
 2 N/C
 3 N/C
 4 N/C
 5 N/C
 6 WHT(W6235) GROUND
 7 N/C
 8 N/C
 9 N/C
 10 BLK(W1210) LEFT FRONT AIR PSW
 11 N/C
 12 N/C

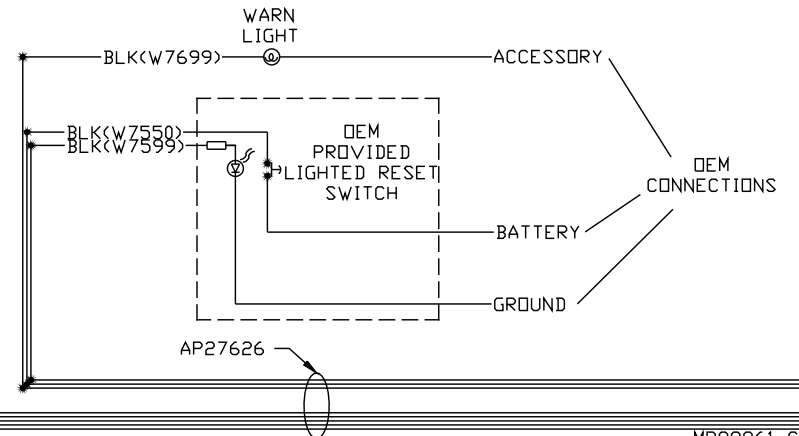
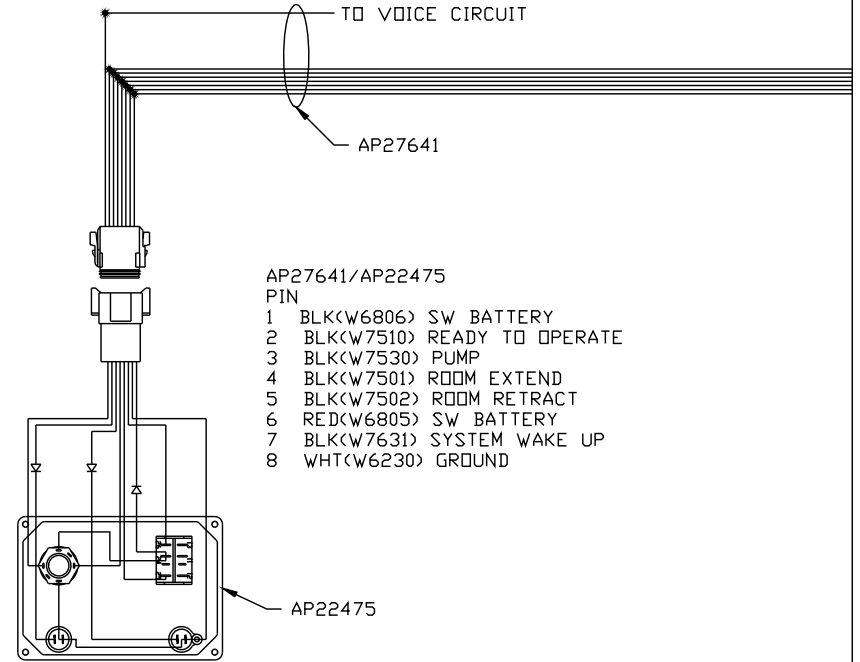
AP22703

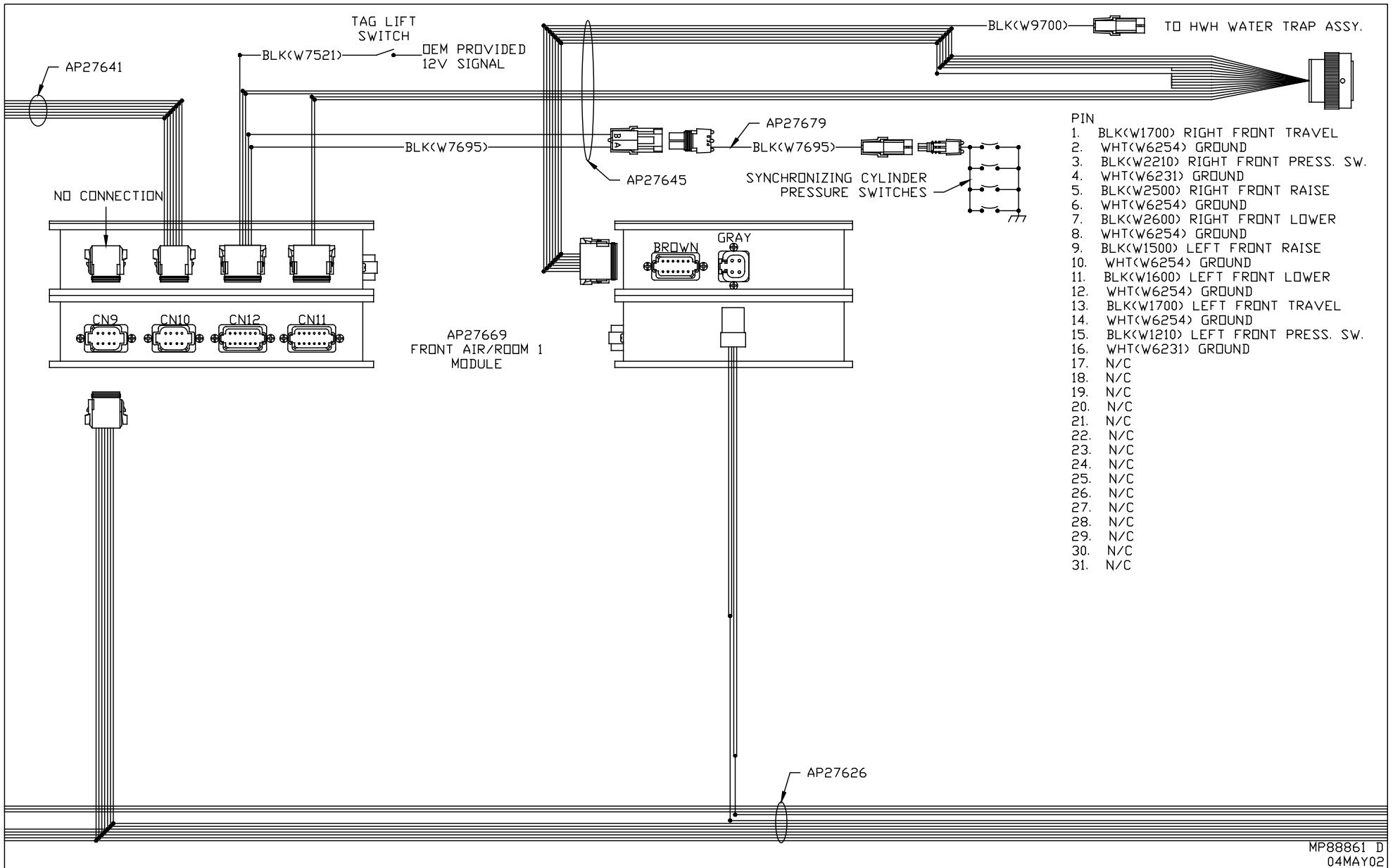


5 1

- PIN
- 1 YELLOW CAN HI
 - 2 GREEN CAN LOW
 - 3 CAN SHIELD
 - 4 GRN (W6230) GROUND
 - 5 RED (W6800) SW. BATTERY

120 OHM
TERMINATION
RESISTOR
PART OF AP27626







PIN

1. RIGHT FRONT TRAVEL
2. GROUND
3. RIGHT FRONT PRESS. SW.
4. GROUND
5. RIGHT FRONT RAISE
6. GROUND
7. RIGHT FRONT LOWER
8. GROUND
9. LEFT FRONT RAISE
10. GROUND
11. LEFT FRONT LOWER
12. GROUND
13. LEFT FRONT TRAVEL
14. GROUND
15. LEFT FRONT PRESS. SW.
16. GROUND
17. SYSTEM PRESS. SW.
18. GROUND
19. N/C
20. N/C
21. N/C
22. N/C
23. N/C
24. N/C
25. N/C
26. N/C
27. N/C
28. N/C
29. N/C
30. N/C
31. N/C

AP25285

FRONT AIR
MANIFOLD
CONNECTIONS

LEFT FRONT RAISE

LEFT FRONT LOWER

RIGHT FRONT RAISE

RIGHT FRONT LOWER

LEFT FRONT TRAVEL

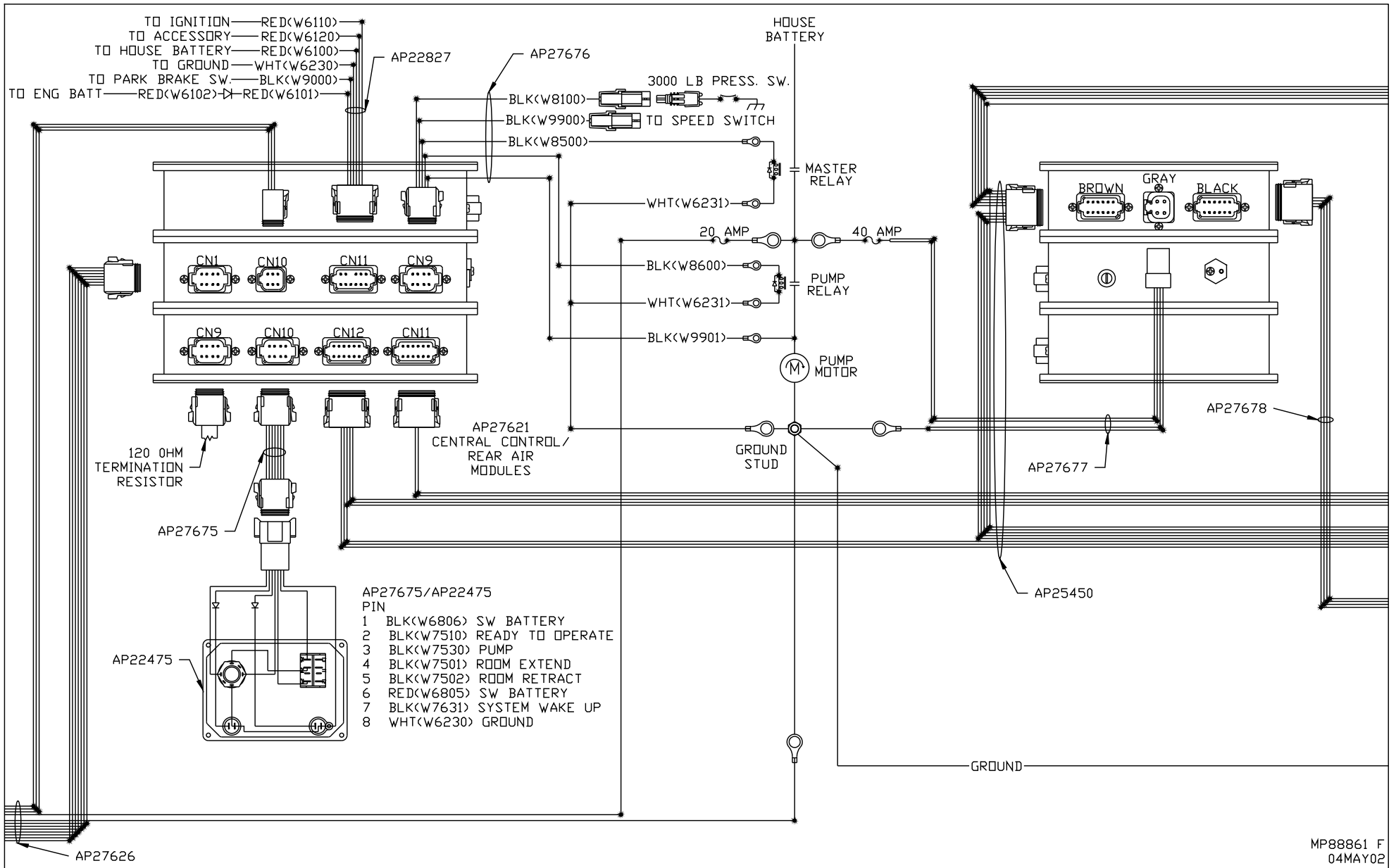
RIGHT FRONT TRAVEL

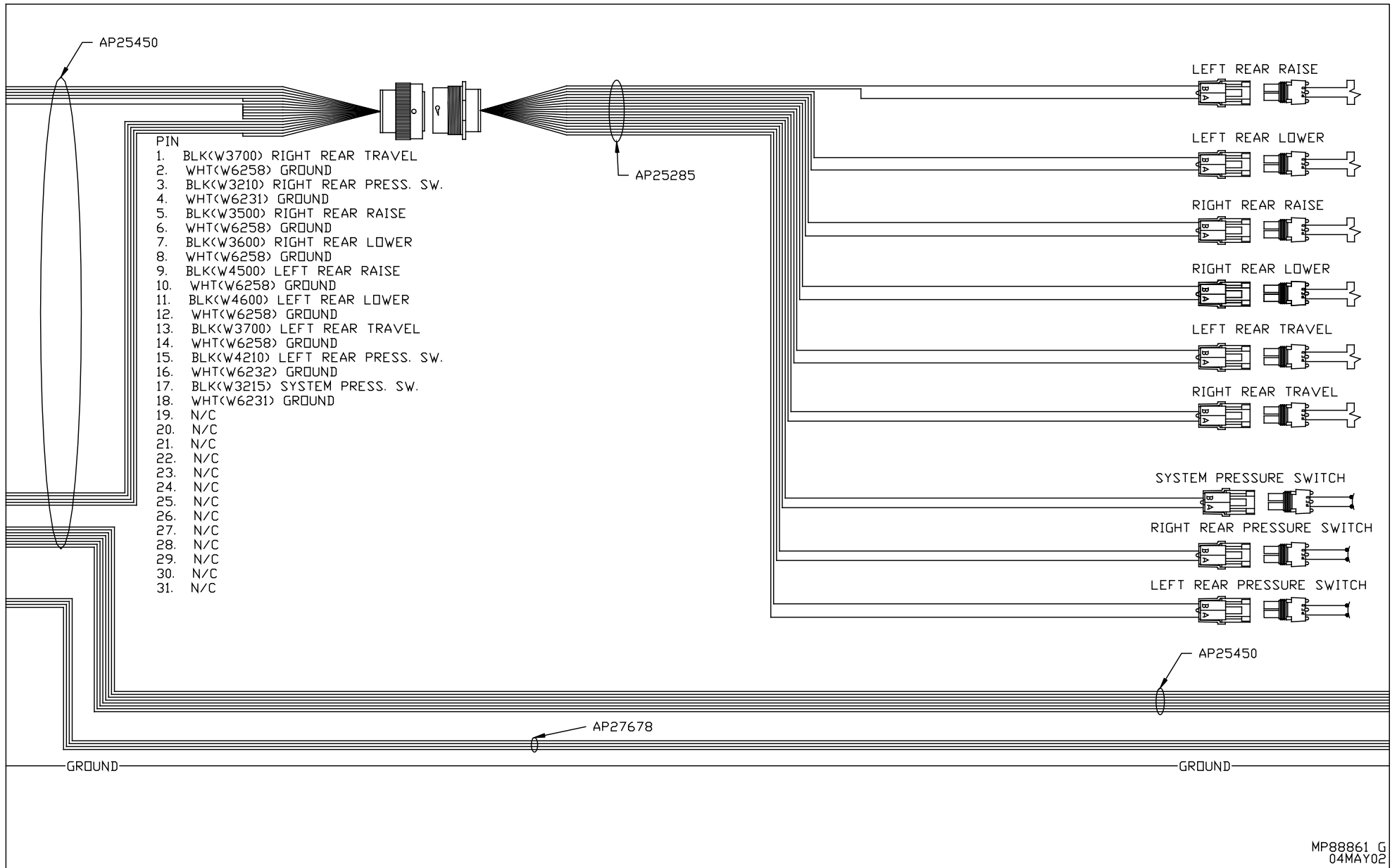
SYSTEM PRESSURE SWITCH
(WHERE APPLICABLE)

RIGHT FRONT PRESSURE SWITCH

LEFT FRONT PRESSURE SWITCH

AP27626

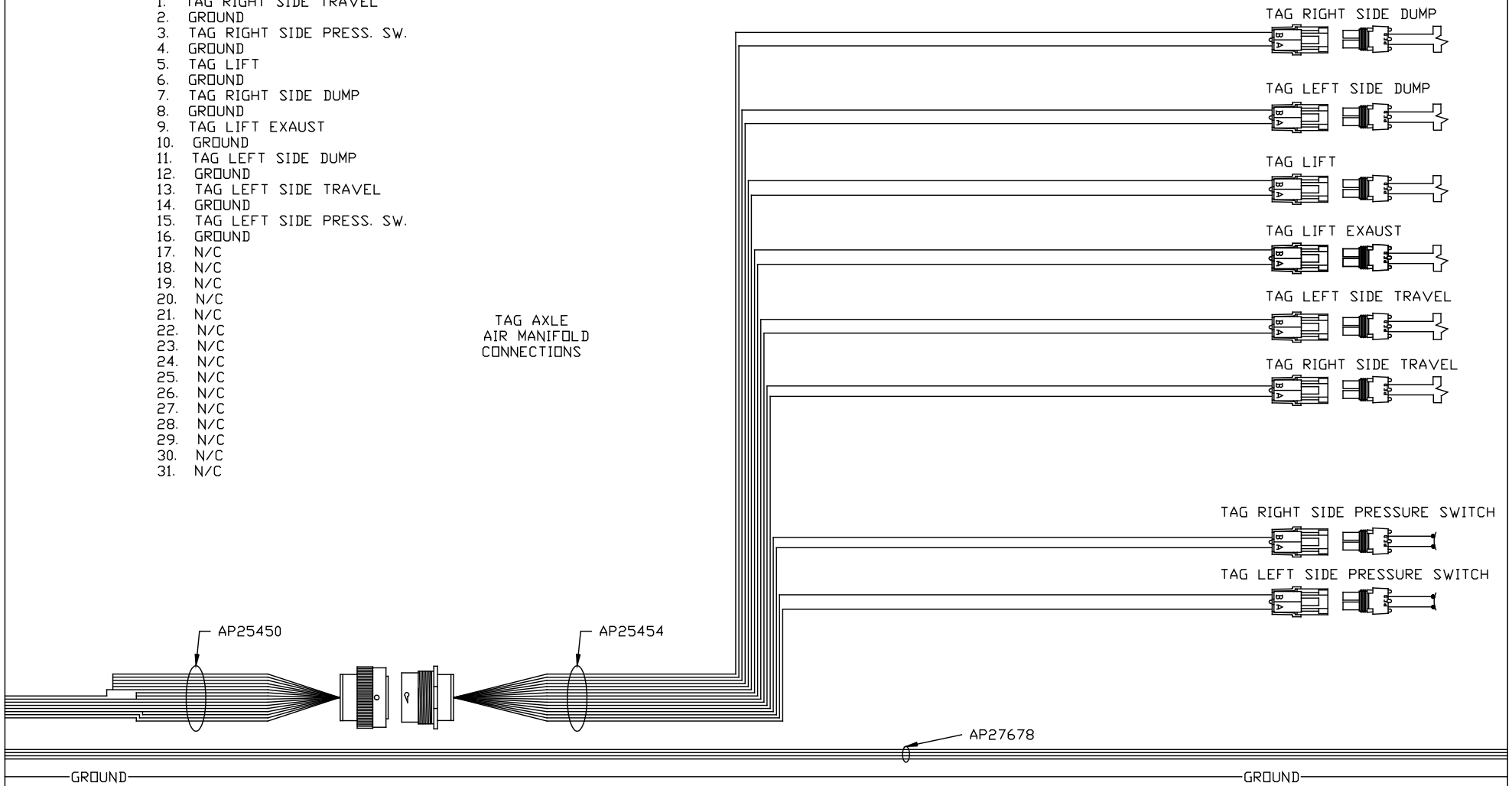




PIN

- 1. TAG RIGHT SIDE TRAVEL
- 2. GROUND
- 3. TAG RIGHT SIDE PRESS. SW.
- 4. GROUND
- 5. TAG LIFT
- 6. GROUND
- 7. TAG RIGHT SIDE DUMP
- 8. GROUND
- 9. TAG LIFT EXHAUST
- 10. GROUND
- 11. TAG LEFT SIDE DUMP
- 12. GROUND
- 13. TAG LEFT SIDE TRAVEL
- 14. GROUND
- 15. TAG LEFT SIDE PRESS. SW.
- 16. GROUND
- 17. N/C
- 18. N/C
- 19. N/C
- 20. N/C
- 21. N/C
- 22. N/C
- 23. N/C
- 24. N/C
- 25. N/C
- 26. N/C
- 27. N/C
- 28. N/C
- 29. N/C
- 30. N/C
- 31. N/C

TAG AXLE
AIR MANIFOLD
CONNECTIONS



HYDRAULIC SOLENOIDS
CONNECTIONS

