

AP27911 CN1<BLACK>
PIN
1 N/C
2 N/C
3 RED<W6800> SW BATT
4 WHT<W6230> GROUND
5 CAN SHIELD
6 N/C
7 GRN CAN LOW
8 YEL CAN HI

AP27911 CN10<GRAY>
PIN
1 BLK <W7599> SWITCH LIGHT CONTROL
2 RED <W6100> RESET OUT
3 BLK <W7550> RESET IN
4 RED <W6121> WARN LIGHT SUPPLY
5 WHT <W6230> SWITCH LIGHT SUPPLY
6 BLK <W7699> WARN LIGHT/BUZZER CONTROL

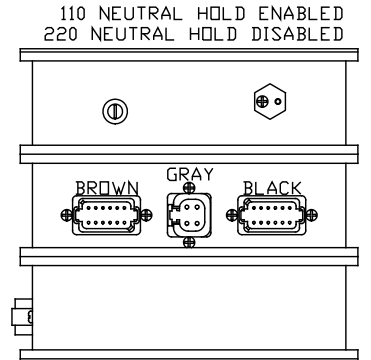
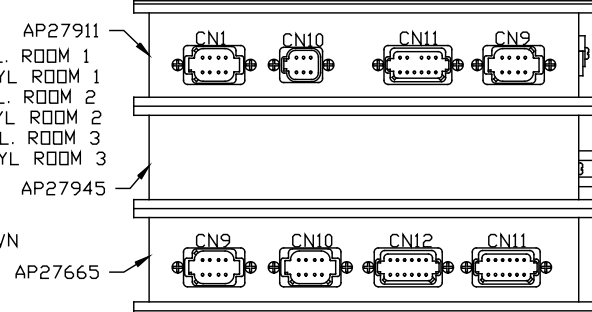
AP27911 CN11<GRAY>
PIN
1 RED<W6110> IGNITION
2 N/C
3 N/C
4 N/C
5 RED<W6120> ACCESSORY
6 RED<W6100> HOUSE BATTERY
7 WHT<W6230> GROUND
8 N/C
9 N/C
10 N/C
11 BLK<W9000> PARK BRAKE SWITCH
12 RED<W6101> ENGINE BATTERY

AP27911 CN9<GREEN>
PIN
1 BLK <W8500> MASTER RELAY CONTROL
2 BLK <W8100> SYSTEM PSW
3 N/C
4 BLK <W8600> PMP RELAY CONTROL
5 BLK <W9900> SPEED SWITCH
6 BLK <W9901> PUMP MONITOR
7 N/C
8 N/C

AP27945<BROWN>
PIN
1 N/C
2 BLK<W1500> LEFT FRONT RAISE
3 BLK<W1600> LEFT FRONT LOWER
4 BLK<W2500> RIGHT FRONT RAISE
5 BLK<W2600> RIGHT FRONT LOWER
6 BLK<W9700> COMPRESSOR
7 N/C
8 BLK<W1700> FRONT TRAVEL
9 N/C
10 N/C
11 WHT<W6254> GROUND
12 N/C

AP27945<GRAY>
PIN
1 BLK<W6800> SW BATT
2 BLK<W6800> SW BATT
3 WHT<W6230> GND
4 WHT<W6230> GND

AP27945<BLACK>
PIN
1 BLK<W5050> EXTEND CYL. ROOM 1
2 BLK<W5150> RETRACT CYL ROOM 1
3 BLK<W5051> EXTEND CYL. ROOM 2
4 BLK<W5151> RETRACT CYL ROOM 2
5 BLK<W5052> EXTEND CYL. ROOM 3
6 BLK<W5152> RETRACT CYL ROOM 3
7 N/C
8 N/C
9 BLK<W5400> FLOOR UP
10 BLK<W5500> FLOOR DOWN
11 N/C
12 N/C



AP27947
FRONT AIR/CONTROL/ROOM 1
MODULE

AP27665 CN9<BLACK>
PIN
1 BLK<W7696> SYSTEM WAKE UP
2 N/C
3 RED<W6800> SW BATT
4 WHT<W6230> GROUND
5 CAN SHIELD
6 RED<W6110> IGNITION
7 GRN CAN LOW
8 YEL CAN HI

AP27665 CN10<GRAY>
PIN
1 BLK<W7511> LEVEL COACH
2 BLK<W7510> READY TO OPERATE
3 BLK<W7530> PUMP
4 BLK<W7501> EXTEND <ROOM 1/ROOM 3>
5 BLK<W7502> RETRACT <ROOM 1/ROOM 3>
6 RED<W6805> SW BATTERY
7 BLK<W7631> SYSTEM WAKE UP
8 WHT<W6230> GROUND

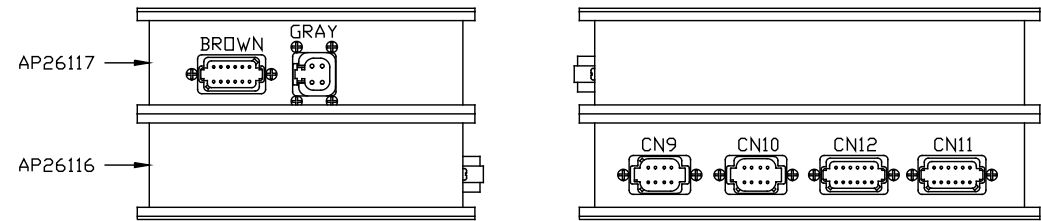
AP27665 CN12<GRAY>
PIN
1 N/C
2 BLK<W5701> FRONT ROOM OUT ROOM 1
3 BLK<W5703> FRONT ROOM IN ROOM 1
4 N/C
5 BLK<W5714> FLOOR DOWN
6 WHT<W6236> GROUND
7 RED<W6120> SW BATT
8 N/C
9 N/C
10 BLK<W2210> RIGHT FRONT AIR PSW
11 BLK<W7521> TAG LIFT SW
12 BLK<W6807> ROOM SELECT

AP27665 CN11<GREEN>
PIN
1 N/C
2 BLK<W5700> REAR ROOM OUT ROOM 1
3 BLK<W5716> REAR ROOM IN ROOM 1
4 N/C
5 N/C
6 WHT<W6235> GROUND
7 RED<W6121> SW BATT
8 N/C
9 N/C
10 BLK<W1210> LEFT FRONT AIR PSW
11 N/C
12 N/C

			HWH I-80 EXIT 267 SOUTH RT 1 MOSCOW, IOWA 52760		
		SCALE 1:3	DATE 27JUN02	DRAWN BY .	
A		04OCT07	CORR'D CR7-CR8 SH A,L		
1		19SEP07	ADDED INSTALLATION NOTE		
NO.	DATE	REVISION			
THE INFORMATION DISCLOSED ON THIS DRAWING IS CONFIDENTIAL AND MUST NOT BE DISCLOSED OR USED IN ANY MANNER WHICH WILL BE DETRIMENTAL TO THE HWH CORPORATION				DRAWING NUMBER MP88914 A/D	

NOTE: INSTALLATION MUST CONFORM TO GOOD SHOP PRACTICES, SAE STANDARDS, RVIA STANDARDS, AND OTHER APPLICABLE STANDARDS.

AP27623
REAR AIR/ROOM 2 MODULE



AP26117 (BROWN)
PIN

- 1 BLK(W3800) TAG LIFT
- 2 BLK(W4500) LEFT REAR RAISE
- 3 BLK(W4600) LEFT REAR LOWER
- 4 BLK(W3500) RIGHT REAR RAISE
- 5 BLK(W3600) RIGHT REAR LOWER
- 6 N/C
- 7 BLK(W3701) TAG TRAVEL
- 8 BLK(W3700) REAR TRAVEL
- 9 BLK(W3601) TAG RIGHT DUMP
- 10 BLK(W4601) TAG LEFT DUMP
- 11 WHT(W6258) GROUND
- 12 N/C

AP26117 (GRAY)
PIN

- 1 BLK(W6801) SW BATT
- 2 BLK(W6801) SW BATT
- 3 WHT(W6231) GROUND
- 4 WHT(W6231) GROUND

AP26116 CN9(BLACK)
PIN

- 1 BLK(W7696) SYSTEM WAKE UP
- 2 N/C
- 3 RED(W6800) SW BATTERY
- 4 WHT(W6230) GROUND
- 5 CAN SHIELD
- 6 RED(W6110) IGNITION
- 7 GRN CAN LOW
- 8 YEL CAN HI

AP26116 CN10(GRAY)
PIN

- 1 N/C
- 2 BLK(W7510) READY TO OPERATE
- 3 BLK(W7530) PUMP
- 4 BLK(W7501) EXTEND (ROOM 2)
- 5 BLK(W7502) RETRACT (ROOM 2)
- 6 RED(W6805) SW BATTERY
- 7 BLK(W7631) SYSTEM WAKE UP
- 8 WHT(W6230) GROUND

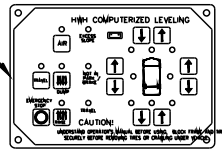
AP26116 CN12(GRAY)
PIN

- 1 BLK(W4211) LEFT REAR TAG PRESS. SW.
- 2 BLK(W3211) RIGHT REAR TAG PRESS. SW.
- 3 BLK(W3215) SYSTEM PRESS. SW.
- 4 N/C
- 5 N/C
- 6 WHT(W6231) GROUND
- 7 N/C
- 8 N/C
- 9 N/C
- 10 N/C
- 11 N/C
- 12 N/C

AP26116 CN11(GREEN)
PIN

- 1 N/C
- 2 BLK(W4210) LEFT REAR PRESS. SW.
- 3 BLK(W3210) RIGHT REAR PRESS. SW.
- 4 N/C
- 5 N/C
- 6 WHT(W6232) GROUND
- 7 N/C
- 8 N/C
- 9 N/C
- 10 N/C
- 11 N/C
- 12 N/C

AP22703



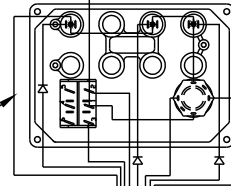
5 1

- PIN
- 1 YELLOW CAN HI
 - 2 GREEN CAN LOW
 - 3 CAN SHIELD
 - 4 WHT (W6230) GROUND
 - 5 RED (W6800) SW. BATTERY

120 OHM
TERMINATION
RESISTOR
PART OF AP27720

AP27720

AP22193



BLK(W6806) TO VOICE CIRCUIT

AP28331/AP22193

- PIN
- 1 BLK(W7511) LEVEL COACH
 - 2 BLK(W7510) READY TO OPERATE
 - 3 BLK(W7530) PUMP
 - 4 BLK(W7501) ROOM EXTEND
 - 5 BLK(W7502) ROOM RETRACT
 - 6 RED(W6805) SW BATTERY
 - 7 BLK(W7696) SYSTEM WAKE UP
 - 8 WHT(W6230) GROUND

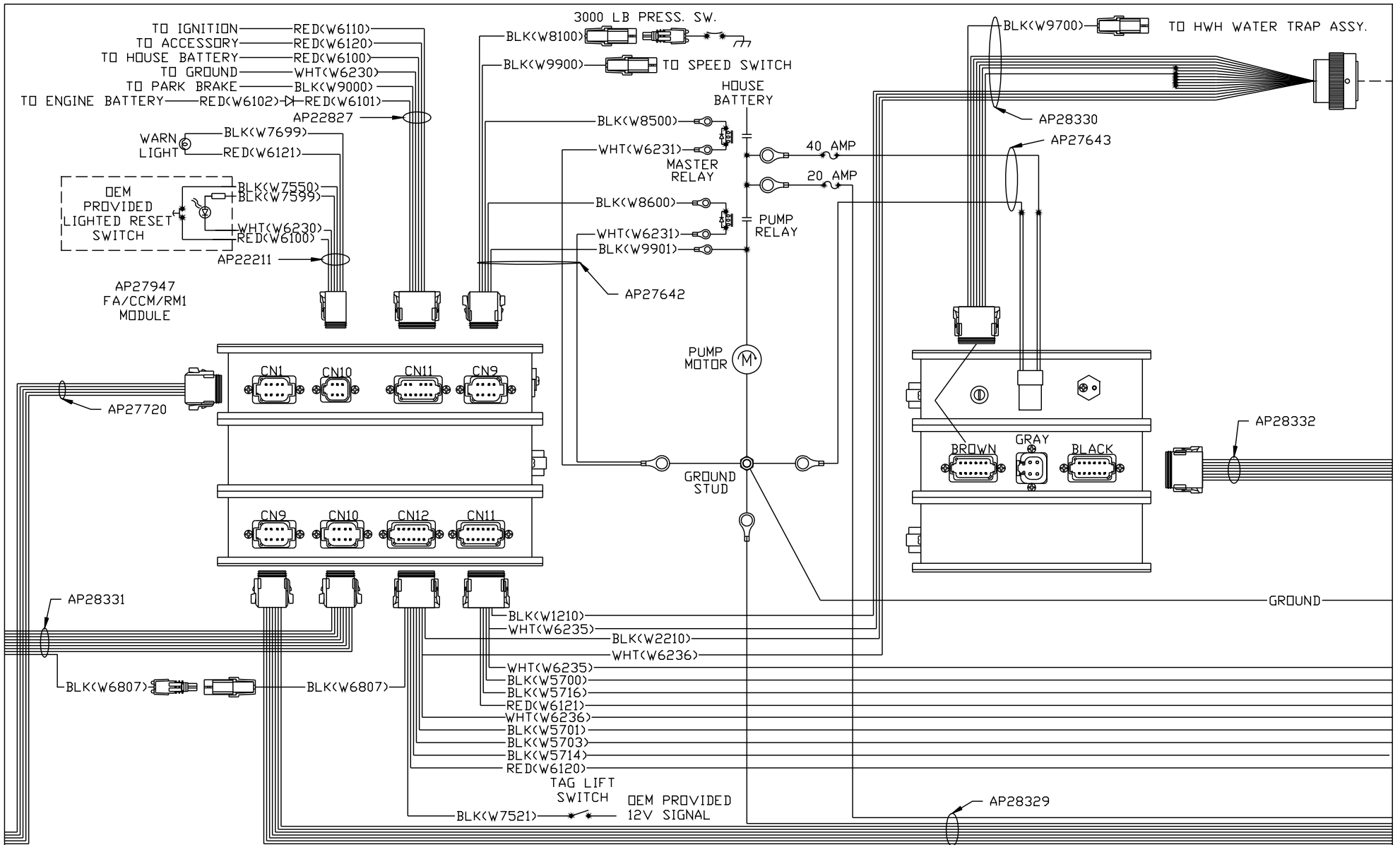
AP28331

RED(W6805) — [switch symbol] — RED(W6807)

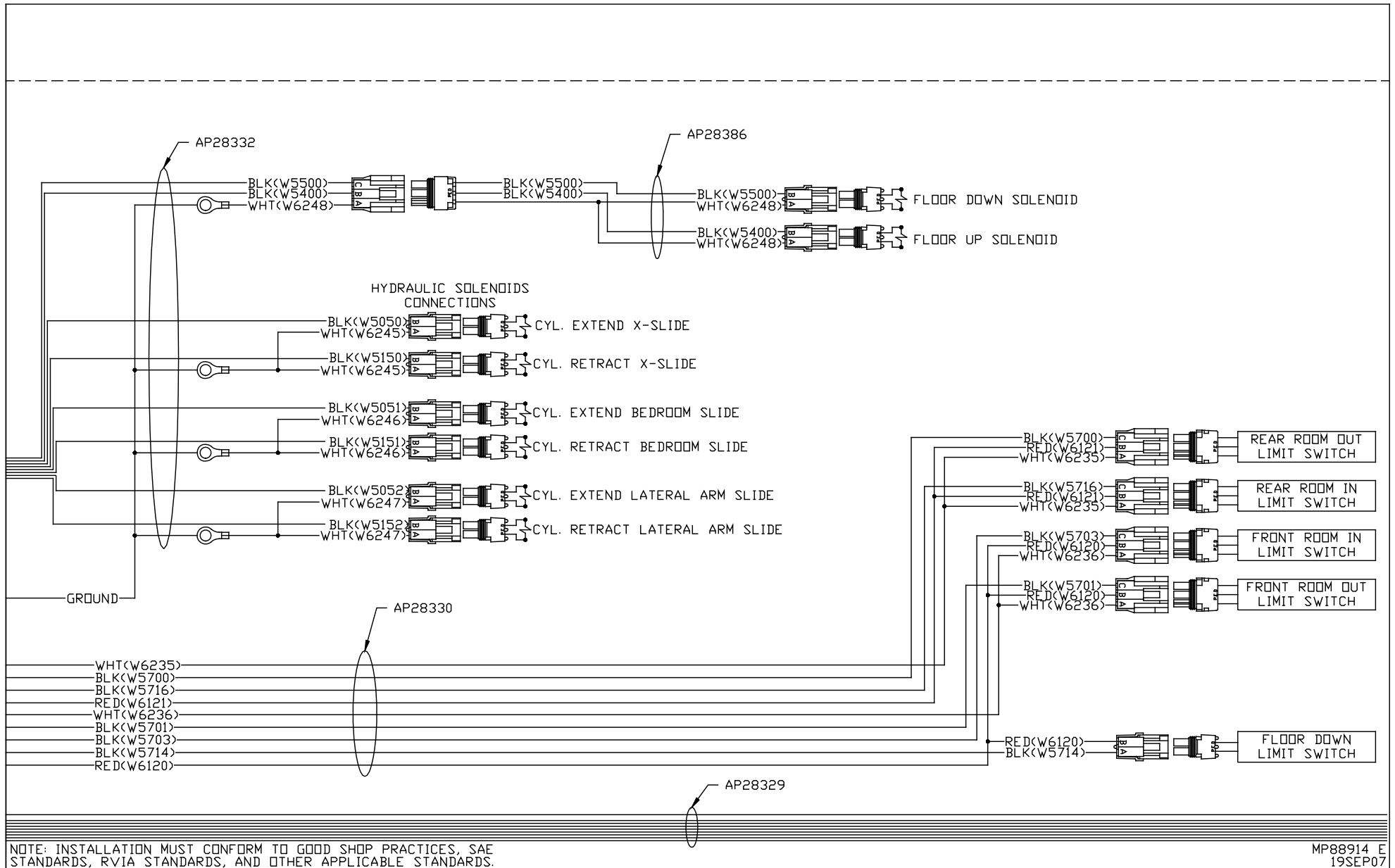
ROOM SELECTOR SWITCH
SUPPLIED BY COUNTRY COACH

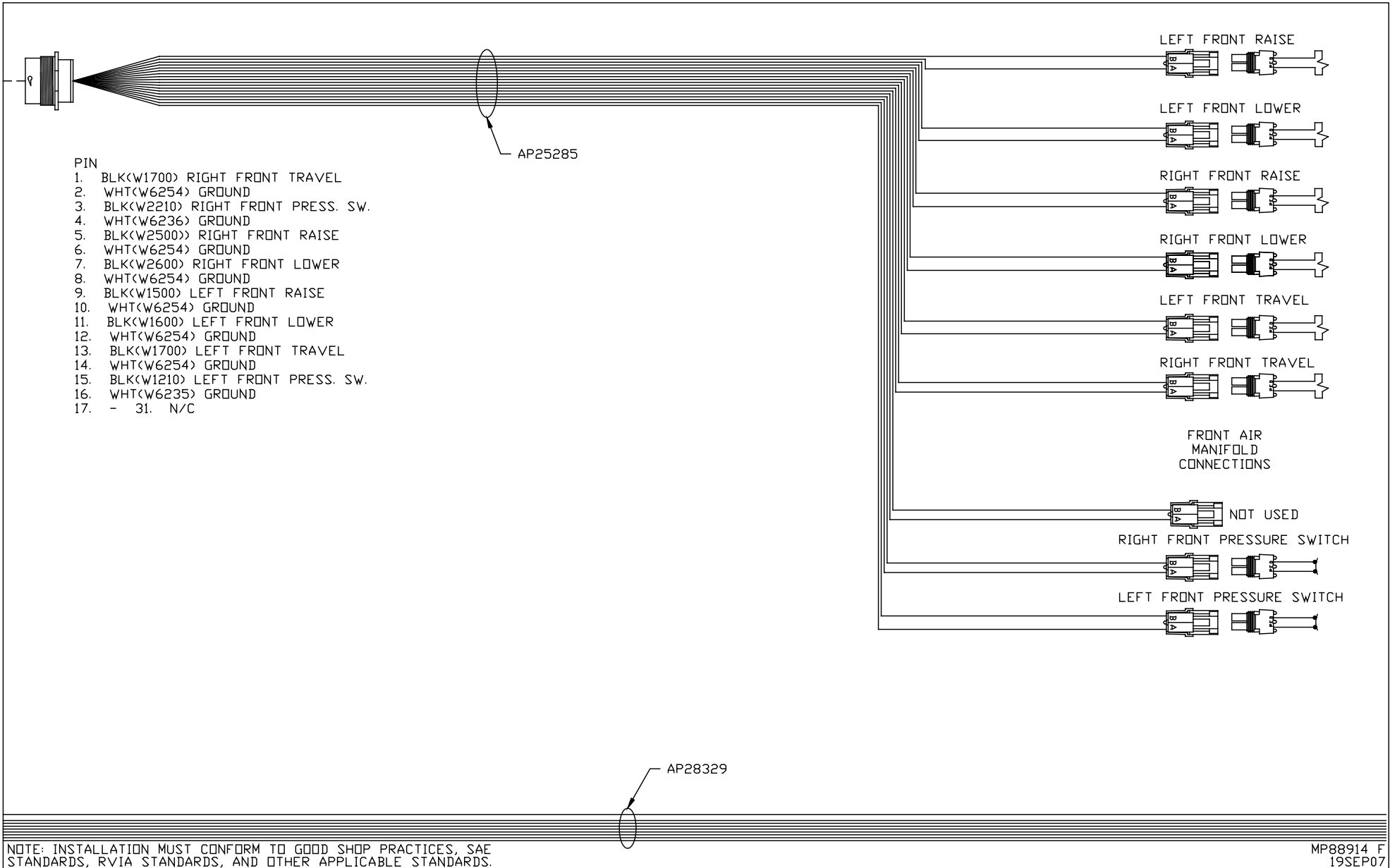
NOTE: INSTALLATION MUST CONFORM TO GOOD SHOP PRACTICES, SAE STANDARDS, RVIA STANDARDS, AND OTHER APPLICABLE STANDARDS.

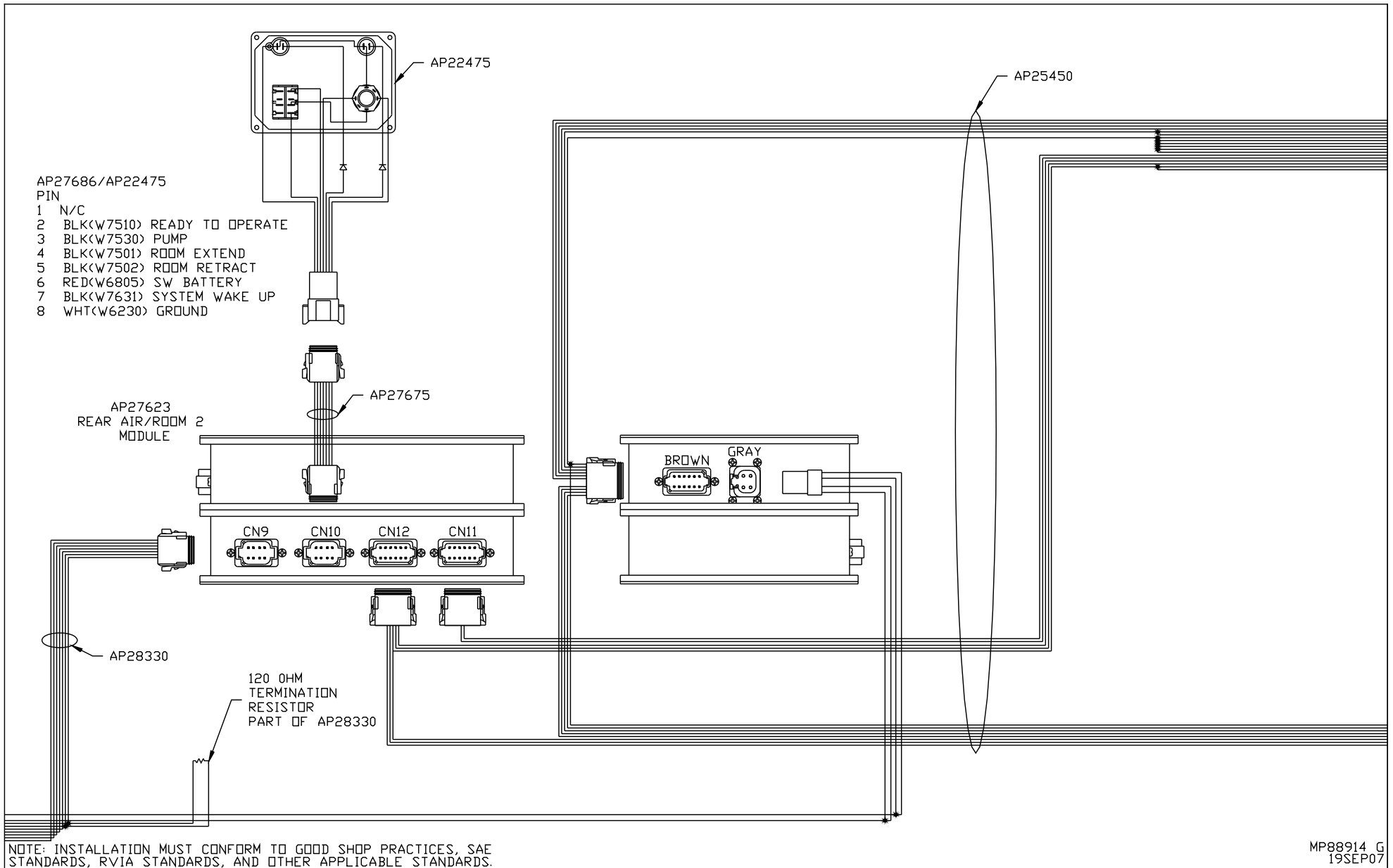
MP88914 C
19SEP07

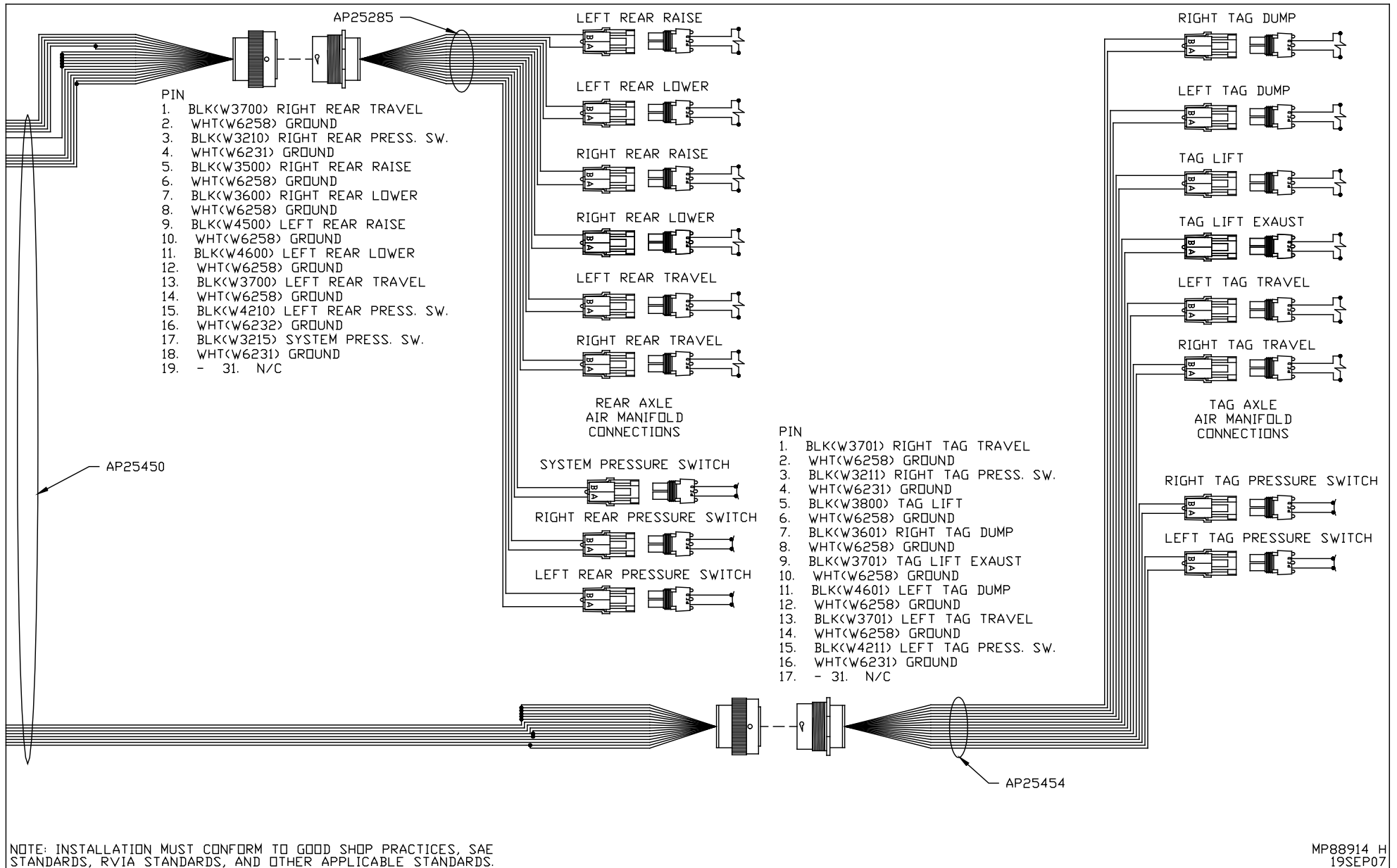


NOTE: INSTALLATION MUST CONFORM TO GOOD SHOP PRACTICES, SAE STANDARDS, RVIA STANDARDS, AND OTHER APPLICABLE STANDARDS.



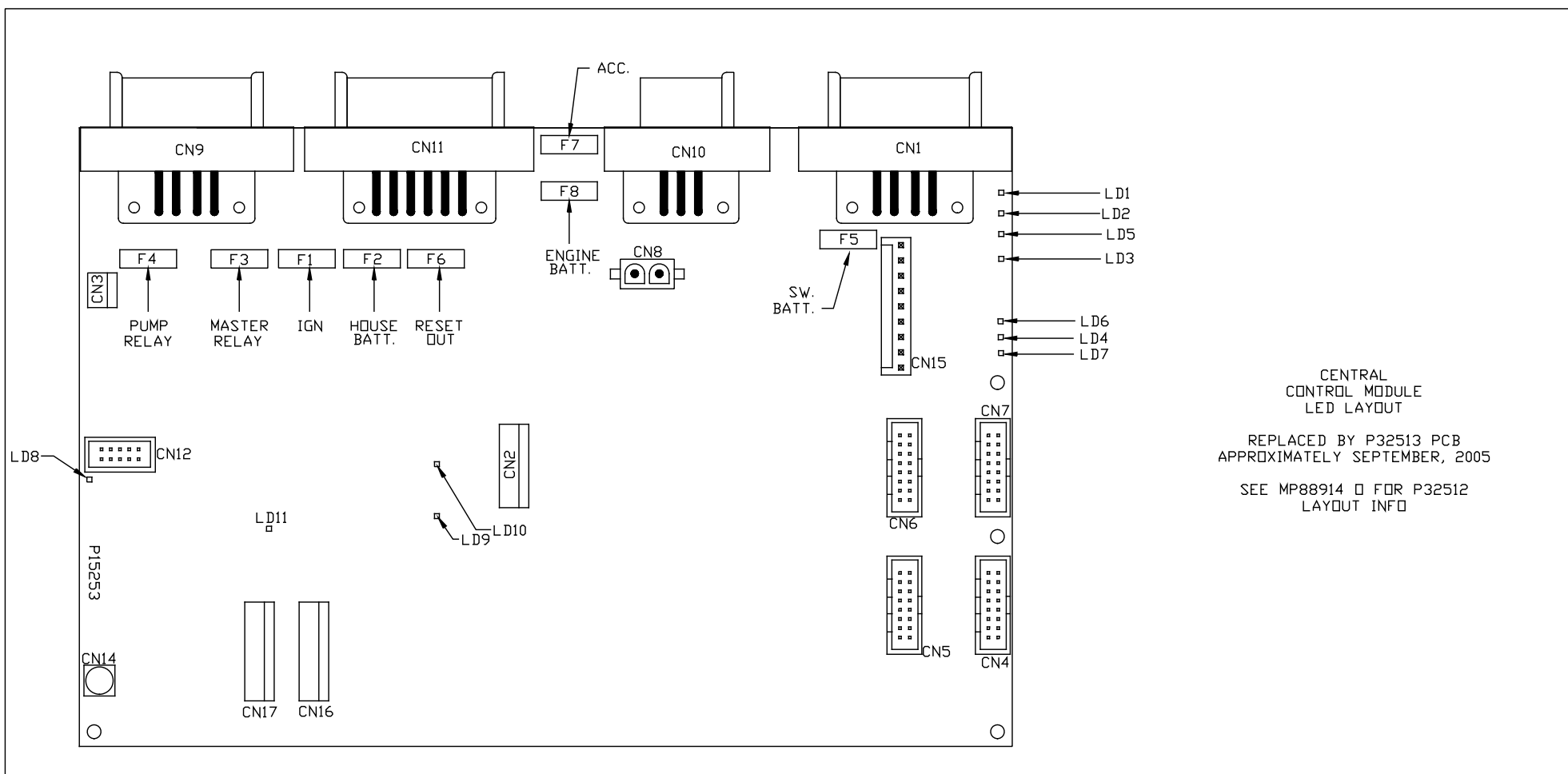






NOTE: INSTALLATION MUST CONFORM TO GOOD SHOP PRACTICES, SAE STANDARDS, RVIA STANDARDS, AND OTHER APPLICABLE STANDARDS.

MP88914 H
19SEP07



CENTRAL
CONTROL MODULE
LED LAYOUT

REPLACED BY P32513 PCB
APPROXIMATELY SEPTEMBER, 2005

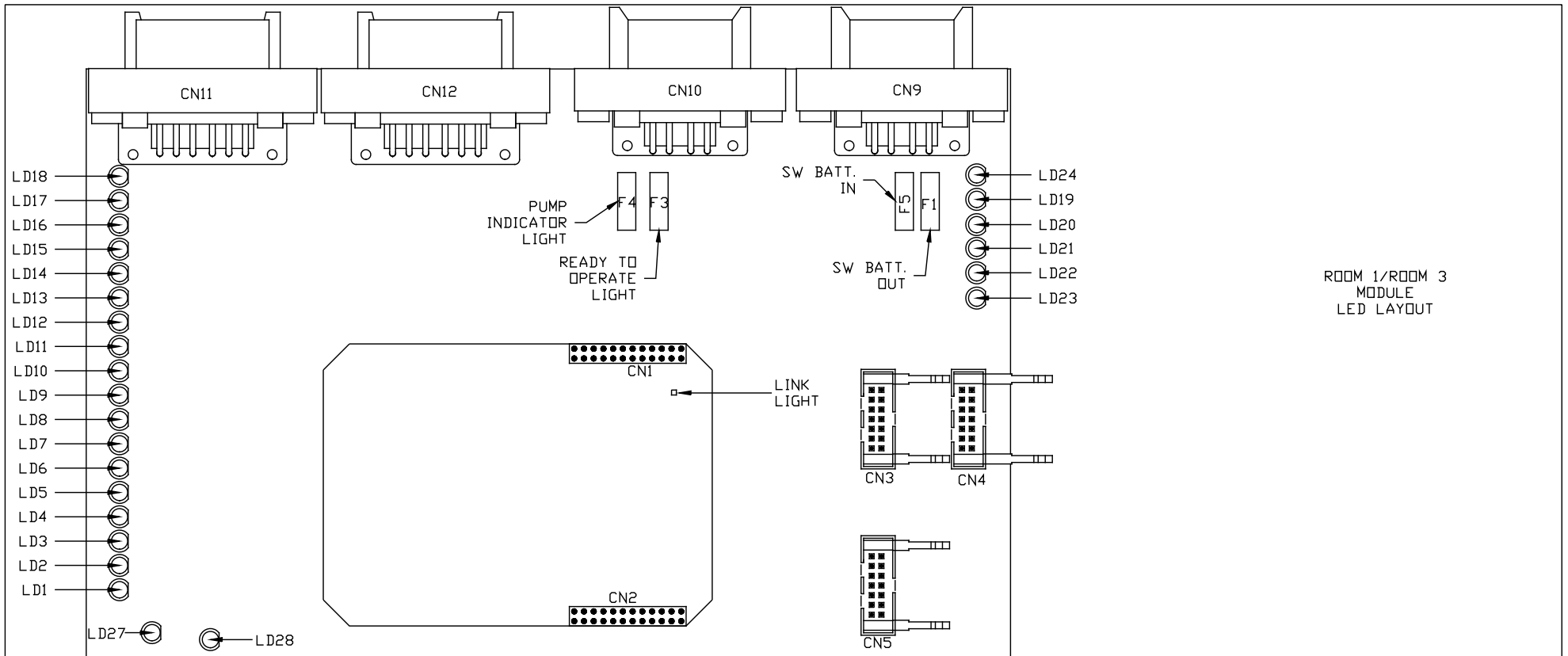
SEE MP88914 □ FOR P32512
LAYOUT INFO

LED #	CONNECTOR	COLOR	DESCRIPTION
LED 1	CN 9 PIN 1	RED	MASTER RELAY
LED 2	CN 9 PIN 4	RED	PUMP RELAY
LED 3	CN 1 PIN 3	RED	SW 12V
LED 4	CN 11 PIN 12	RED	ENGINE BATT
LED 5	CN 9 PIN 5	RED	SPEED SWITCH
LED 6	NOT USED	NOT USED	NOT USED

LED #	CONNECTOR	COLOR	DESCRIPTION
LED 7	CN 1 PIN 7 & 8	RED	LINK LIGHT
LED 8	NOT USED	NOT USED	NOT USED
LED 9	NOT USED	NOT USED	NOT USED
LED 10	CN9 PIN 2	RED	3000 LBS. PSW
LED 11	CN11 PIN 11	RED	PARK BRAKE

NOTE: INSTALLATION MUST CONFORM TO GOOD SHOP PRACTICES, SAE STANDARDS, RVIA STANDARDS, AND OTHER APPLICABLE STANDARDS.

MP88914 I
19SEP07

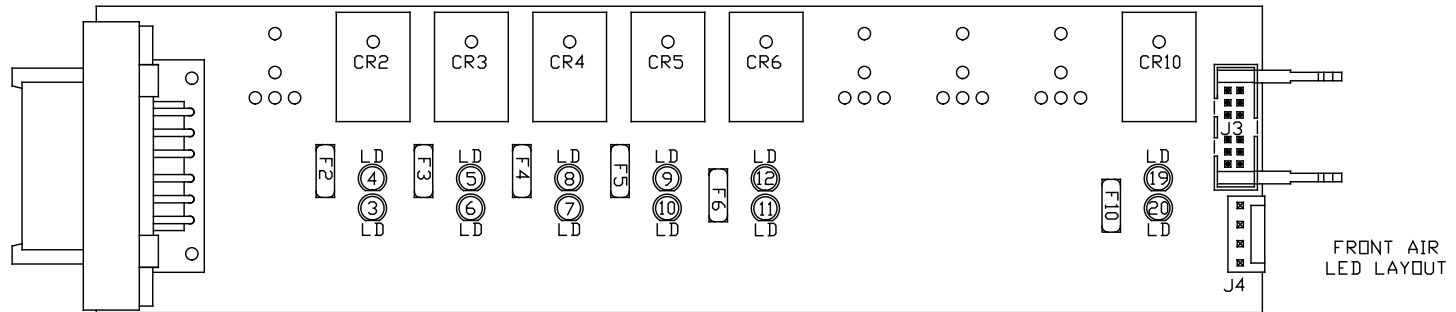


LED #	CONNECTOR	COLOR	DESCRIPTION
LED 1	CN10 PIN 4	RED	EXTEND
LED 2	CN10 PIN 5	RED	RETRACT
LED 3	NOT USED	GREEN	NOT USED
LED 4	CN12 PIN 5	YELLOW	FLOOR DOWN
LED 5	CN11 PIN 2	YELLOW	REAR ROOM OUT (ROOM 1)
LED 6	CN12 PIN 2	YELLOW	FRONT ROOM OUT (ROOM 1)
LED 7	CN11 PIN 3	GREEN	REAR ROOM IN (ROOM 1)
LED 8	CN12 PIN 3	GREEN	FRONT ROOM IN (ROOM 1)
LED 9	CN11 PIN 10	GREEN	LEFT FRONT PSW
LED 10	CN12 PIN 10	GREEN	RIGHT FRONT PSW
LED 11	NOT USED	YELLOW	NOT USED

LED #	CONNECTOR	COLOR	DESCRIPTION
LED 12	NOT USED	YELLOW	NOT USED
LED 13	NOT USED	YELLOW	NOT USED
LED 14	CN12 PIN 12	YELLOW	ROOM 3 SELECT SIGNAL
LED 15	NOT USED	GREEN	NOT USED
LED 16	NOT USED	GREEN	NOT USED
LED 17	NOT USED	GREEN	NOT USED
LED 18	NOT USED	GREEN	NOT USED
LED 19	CN11/CN12 PIN 7	RED	12V OUTPUT
LED 20	CN9 PIN 3	RED	SW BATT
LED 21	CN10 PIN 3	RED	PUMP INDICATOR
LED 22	CN10 PIN 2	RED	READY TO OPERATE
LED 23	CN10 PIN 1	RED	LEVEL COACH
LED 24	CN10 PIN 7	RED	SYSTEM WAKE UP
LED 27	NOT USED	RED	NOT USED
LED 28	CN 12 PIN 11	RED	TAG LIFT SWITCH

NOTE: INSTALLATION MUST CONFORM TO GOOD SHOP PRACTICES, SAE STANDARDS, RVIA STANDARDS, AND OTHER APPLICABLE STANDARDS.

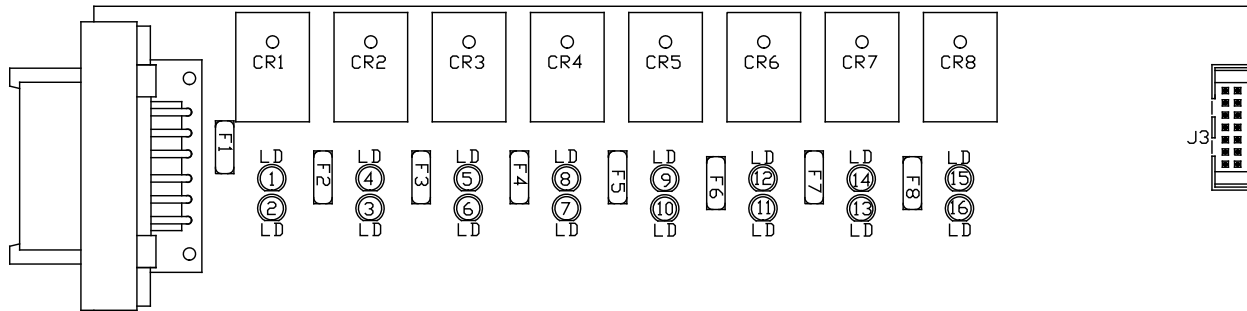
MP88914 J
19SEP07



LED #	COLOR	INPUT J3	FUSE #	OUTPUT	RELAY #	DESCRIPTION
LED3	RED	---	FUSE 2	PIN 2	CR2	LEFT FRONT RAISE (CONTACT)
LED4	YELLOW	PIN 12	---	---	CR2	LEFT FRONT RAISE (COIL)
LED5	YELLOW	PIN 11	---	---	CR3	LEFT FRONT LOWER (COIL)
LED6	RED	---	FUSE 3	PIN 3	CR3	LEFT FRONT LOWER (CONTACT)
LED7	RED	---	FUSE 4	PIN 4	CR4	RIGHT FRONT RAISE (CONTACT)
LED8	YELLOW	PIN 10	---	---	CR4	RIGHT FRONT RAISE (COIL)
LED9	YELLOW	PIN 9	---	---	CR5	RIGHT FRONT LOWER (COIL)
LED10	RED	---	FUSE 5	PIN 5	CR5	RIGHT FRONT LOWER (CONTACT)
LED11	RED	---	FUSE 6	PIN 6	CR6	COMPRESSOR (CONTACT)
LED12	YELLOW	PIN 8	---	---	CR6	COMPRESSOR (COIL)
LED19	YELLOW	PIN 4	---	---	CR10	TRAVEL (COIL)
LED20	RED	---	FUSE 10	PIN 8	CR10	TRAVEL (CONTACT)

NOTE: INSTALLATION MUST CONFORM TO GOOD SHOP PRACTICES, SAE STANDARDS, RVIA STANDARDS, AND OTHER APPLICABLE STANDARDS.

MP88914 K
19SEP07



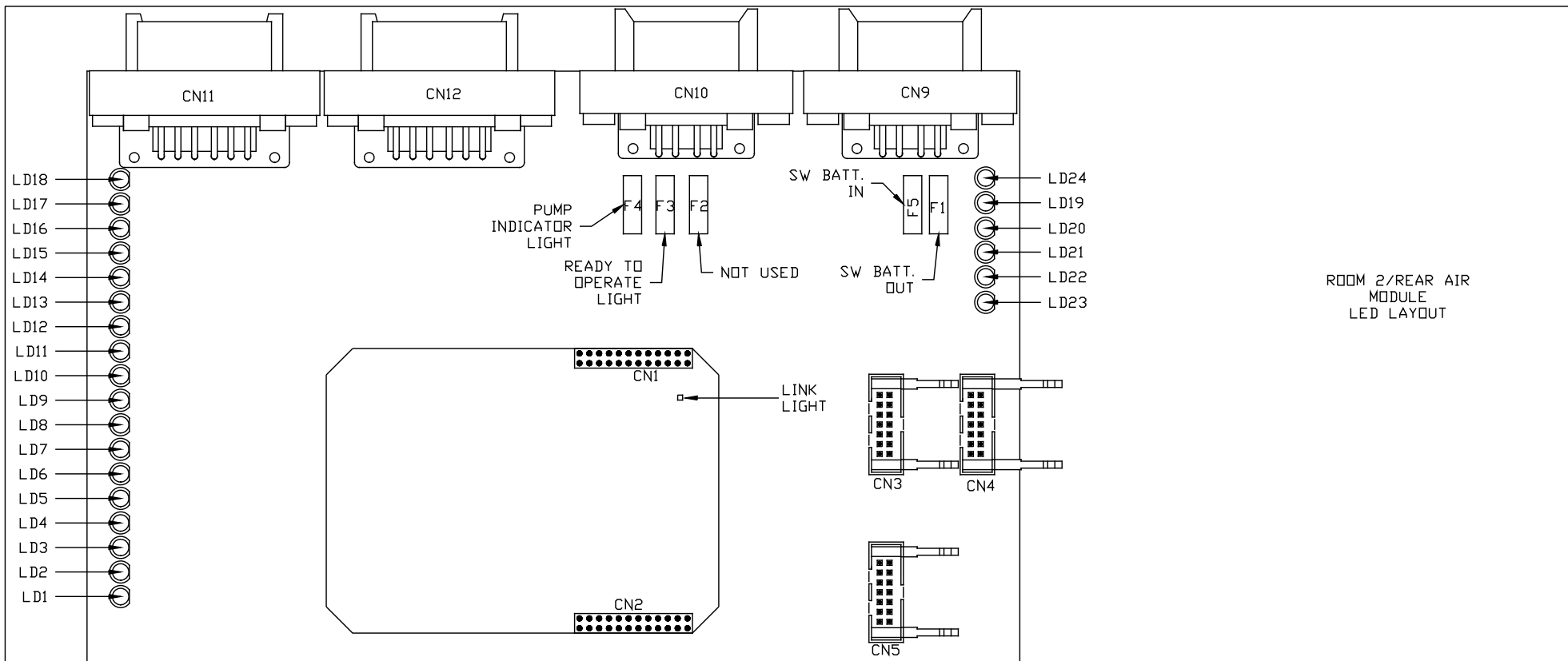
ROOM 1/2/3
LED LAYOUT

LED #	COLOR	INPUT J3	FUSE #	OUTPUT	RELAY #	DESCRIPTION
LED1	YELLOW	PIN 13	---	---	CR1	CYL EXTEND 1 (COIL)
LED2	RED	---	FUSE 1	PIN 1	CR1	CYL EXTEND 1 (CONTACT)
LED3	RED	---	FUSE 2	PIN 2	CR2	CYL RETRACT 1 (CONTACT)
LED4	YELLOW	PIN 12	---	---	CR2	CYL RETRACT 1 (COIL)
LED5	YELLOW	PIN 11	---	---	CR3	CYL EXTEND 2 (COIL)
LED6	RED	---	FUSE 3	PIN 3	CR3	CYL EXTEND 2 (CONTACT)
LED7	RED	---	FUSE 4	PIN 4	CR4	CYL RETRACT 2 (CONTACT)
LED8	YELLOW	PIN 10	---	---	CR4	CYL RETRACT 2 (COIL)
LED9	YELLOW	PIN 9	---	---	CR5	CYL EXTEND 3 (COIL)
LED10	RED	---	FUSE 5	PIN 5	CR5	CYL EXTEND 3 (CONTACT)
LED11	RED	---	FUSE 6	PIN 6	CR6	CYL RETRACT 3 (CONTACT)
LED12	YELLOW	PIN 8	---	---	CR6	CYL RETRACT 3 (COIL)
LED13	RED	---	FUSE 7	PIN 10	CR7	FLOOR DOWN (CONTACT)
LED14	YELLOW	PIN 7	---	---	CR7	FLOOR DOWN (COIL)
LED15	YELLOW	PIN 6	---	---	CR8	FLOOR UP (COIL)
LED16	RED	---	FUSE 8	PIN 9	CR8	FLOOR UP (CONTACT)



NOTE: INSTALLATION MUST CONFORM TO GOOD SHOP PRACTICES, SAE STANDARDS, RVIA STANDARDS, AND OTHER APPLICABLE STANDARDS.

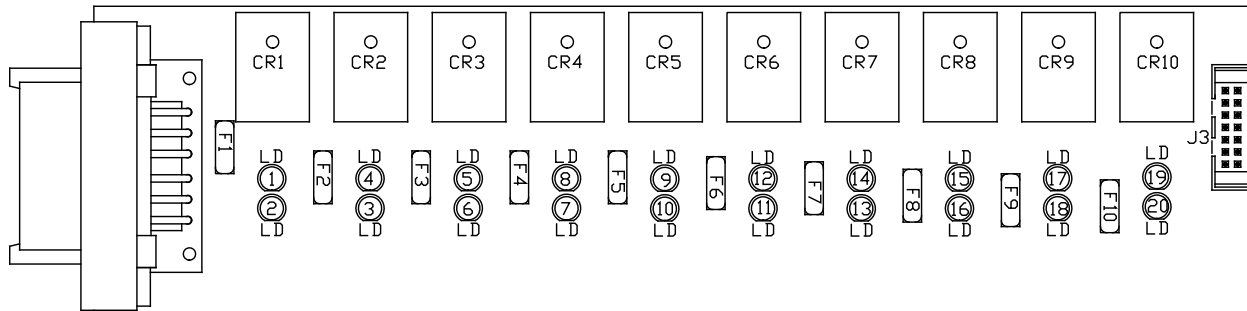
MP88914 L
19SEP07



LED #	CONNECTOR	COLOR	DESCRIPTION
LED 1	CN10 PIN 4	RED	EXTEND
LED 2	CN10 PIN 5	RED	RETRACT
LED 3	NOT USED	GREEN	NOT USED
LED 4	NOT USED	YELLOW	NOT USED
LED 5	CN11 PIN 2	YELLOW	LEFT REAR PRESS SW.
LED 6	CN12 PIN 2	YELLOW	RIGHT REAR TAG PRESS SW.
LED 7	CN11 PIN 3	GREEN	RIGHT REAR PRESS SW.
LED 8	CN12 PIN 3	GREEN	SYSTEM PRESS SW.
LED 9	NOT USED	GREEN	NOT USED

LED #	CONNECTOR	COLOR	DESCRIPTION
LED 10	NOT USED	GREEN	NOT USED
LED 11	NOT USED	YELLOW	NOT USED
LED 12	CN12 PIN 1	YELLOW	LEFT REAR TAG PRESS SW.
LED 13	NOT USED	YELLOW	NOT USED
LED 14	NOT USED	YELLOW	NOT USED
LED 15	NOT USED	GREEN	NOT USED
LED 16	NOT USED	GREEN	NOT USED
LED 17	NOT USED	GREEN	NOT USED
LED 18	NOT USED	GREEN	NOT USED
LED 19	CN11/CN12 PIN 7	RED	12V OUTPUT
LED 20	CN9 PIN 3	RED	SW BATT
LED 21	CN10 PIN 3	RED	PUMP INDICATOR
LED 22	CN10 PIN 2	RED	READY TO OPERATE
LED 23	NOT USED	RED	NOT USED
LED 24	CN10 PIN 7	RED	SYSTEM WAKE UP

NOTE: INSTALLATION MUST CONFORM TO GOOD SHOP PRACTICES, SAE STANDARDS, RVIA STANDARDS, AND OTHER APPLICABLE STANDARDS.

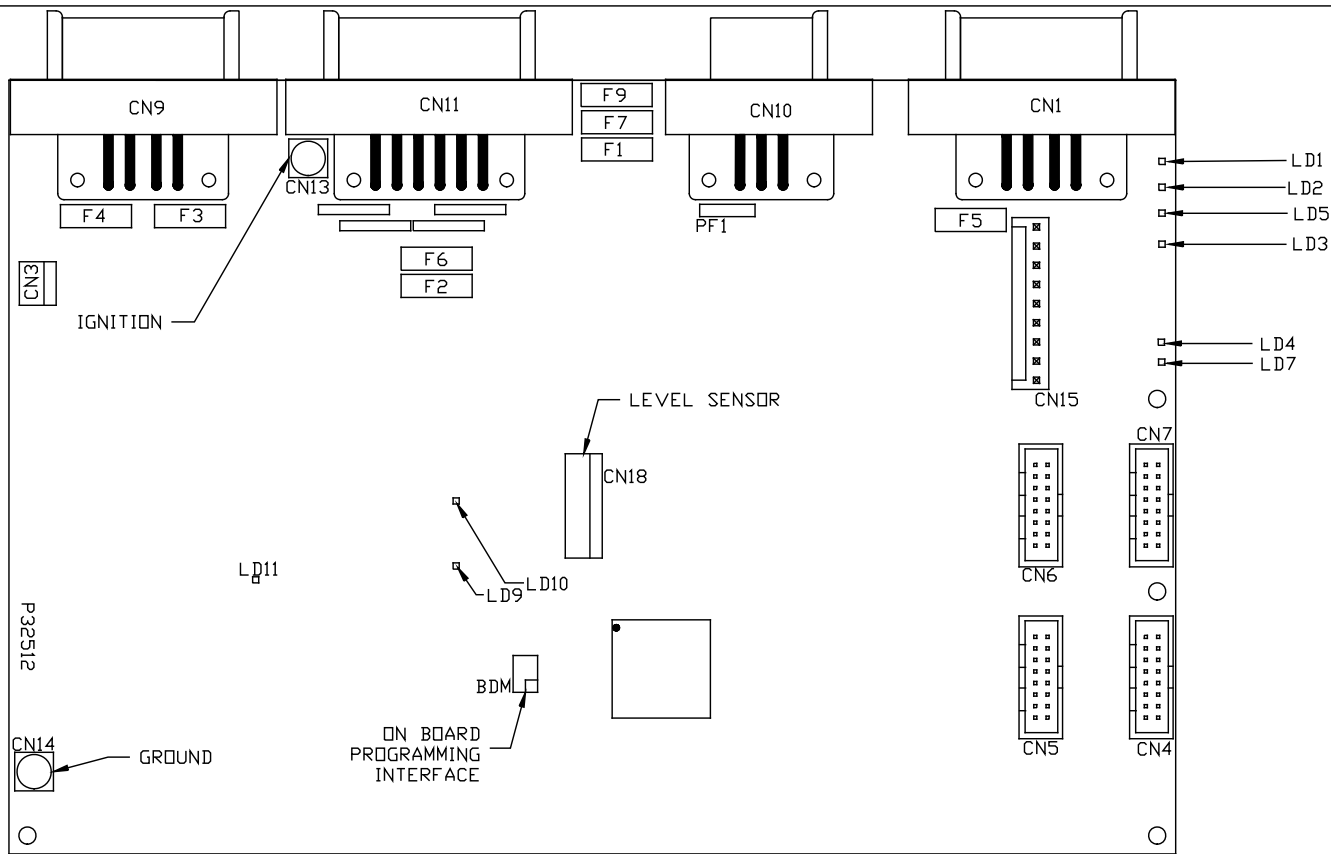


REAR AIR
LED LAYOUT

LED #	COLOR	INPUT J3	FUSE #	OUTPUT	RELAY #	DESCRIPTION
LED1	YELLOW	PIN 13	---	---	CR1	TAG LIFT (COIL)
LED2	RED	---	FUSE 1	PIN 1	CR1	TAG LIFT (CONTACT)
LED3	RED	---	FUSE 2	PIN 2	CR2	LEFT REAR RAISE (CONTACT)
LED4	YELLOW	PIN 12	---	---	CR2	LEFT REAR RAISE (COIL)
LED5	YELLOW	PIN 11	---	---	CR3	LEFT REAR LOWER (COIL)
LED6	RED	---	FUSE 3	PIN 3	CR3	LEFT REAR LOWER (CONTACT)
LED7	RED	---	FUSE 4	PIN 4	CR4	RIGHT REAR RAISE (CONTACT)
LED8	YELLOW	PIN 10	---	---	CR4	RIGHT REAR RAISE (COIL)
LED9	YELLOW	PIN 9	---	---	CR5	RIGHT REAR LOWER (COIL)
LED10	RED	---	FUSE 5	PIN 5	CR5	RIGHT REAR LOWER (CONTACT)
LED11	RED	---	FUSE 6	PIN 6	CR6	NOT USED
LED12	YELLOW	PIN 8	---	---	CR6	NOT USED
LED13	RED	---	FUSE 7	PIN 10	CR7	TAG LEFT REAR LOWER (CONTACT)
LED14	YELLOW	PIN 7	---	---	CR7	TAG LEFT REAR LOWER (COIL)
LED15	YELLOW	PIN 6	---	---	CR8	TAG RIGHT REAR LOWER (COIL)
LED16	RED	---	FUSE 8	PIN 9	CR8	TAG RIGHT REAR LOWER (CONTACT)
LED17	YELLOW	PIN 5	---	---	CR9	TAG TRAVEL (COIL)
LED18	RED	---	FUSE 9	PIN 7	CR9	TAG TRAVEL (CONTACT)
LED19	YELLOW	PIN 4	---	---	CR10	TRAVEL (COIL)
LED20	RED	---	FUSE 10	PIN 8	CR10	TRAVEL (CONTACT)

NOTE: INSTALLATION MUST CONFORM TO GOOD SHOP PRACTICES, SAE STANDARDS, RVIA STANDARDS, AND OTHER APPLICABLE STANDARDS.

MP88914 N
19SEP07



CENTRAL
CONTROL MODULE
LED LAYOUT
EFFECTIVE APPROXIMATELY
SEPTEMBER, 2005

LED #	CONNECTOR	COLOR	DESCRIPTION
LED 1	CN 9 PIN 1	RED	MASTER RELAY
LED 2	CN 9 PIN 4	RED	PUMP RELAY
LED 3	CN 1 PIN 3	RED	SW 12V
LED 4	CN 11 PIN 12	RED	SYSTEM WAKE UP
LED 5	CN 9 PIN 5	RED	SPEED SWITCH
LED 7	CN 1 PIN 7 & 8	RED	LINK LIGHT
LED 8	NOT USED	RED	NOT USED
LED 9	NOT USED	NOT USED	NOT USED
LED 10	CN9 PIN 2	RED	3000 LBS. PSW
LED 11	CN11 PIN 11	RED	PARK BRAKE

FUSE #	DESCRIPTION
PF1	RESET OUT
F7	ACCESSORY
F1	IGNITION
F2	HOUSE BATTERY
F3	MASTER RELAY
F4	PUMP RELAY
F5	SW. BATT TO CAN MODULES
F6	ENGINE BATTERY
F9	NOT USED

NOTE: INSTALLATION MUST CONFORM TO GOOD SHOP PRACTICES, SAE STANDARDS, RVIA STANDARDS, AND OTHER APPLICABLE STANDARDS.