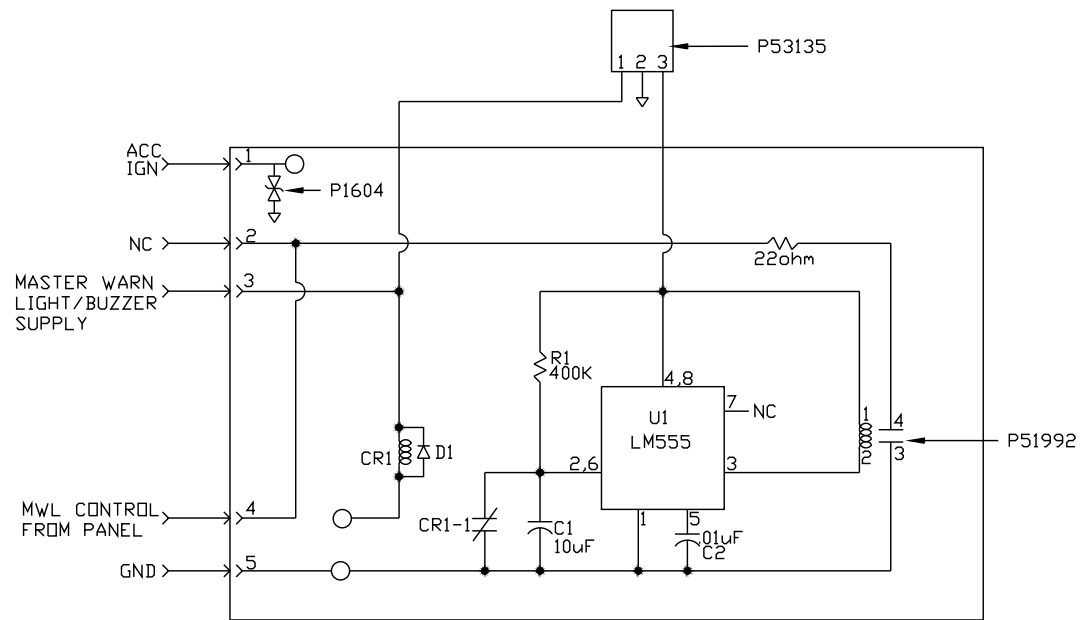


| | | | | |
|--|---------|------------------|--|--------------|
| | | | HWH I-80 EXIT 267 SOUTH RT 1 MOSCOW, IOWA 52760 | |
| | | | SCALE 1:1 | DATE 06JUN02 |
| | | | DRAWN BY . | |
| 2 | 24JUL18 | ADDED B SHEET | SCHEMATIC FOR P28345 | |
| 1 | 29SEP04 | ADDED MOD DETAIL | | |
| NO. | DATE | REVISION | | |
| THE INFORMATION DISCLOSED ON THIS DRAWING IS CONFIDENTIAL AND MUST NOT BE DISCLOSED OR USED IN ANY MANNER WHICH WILL BE DETRIMENTAL TO THE HWH CORPORATION | | | DRAWING NUMBER MP88915 A/B | |



| | | | | | |
|--|------|----------|--|--------------|------------|
| | | | HWH I-80 EXIT 267 SOUTH RT 1 MOSCOW, IOWA 52760 | | |
| | | | SCALE 1:1 | DATE 06JUN02 | DRAWN BY . |
| | | | SCHEMATIC FOR P28345 | | |
| NO. | DATE | REVISION | | | |
| THE INFORMATION DISCLOSED ON THIS DRAWING IS CONFIDENTIAL AND MUST NOT BE DISCLOSED OR USED IN ANY MANNER WHICH WILL BE DETRIMENTAL TO THE HWH CORPORATION | | | DRAWING NUMBER MP88915 B/B | | |