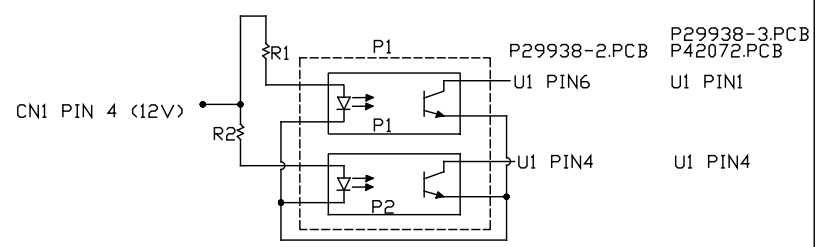
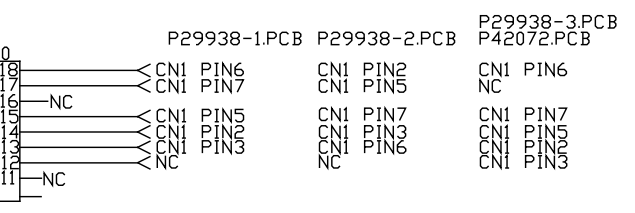
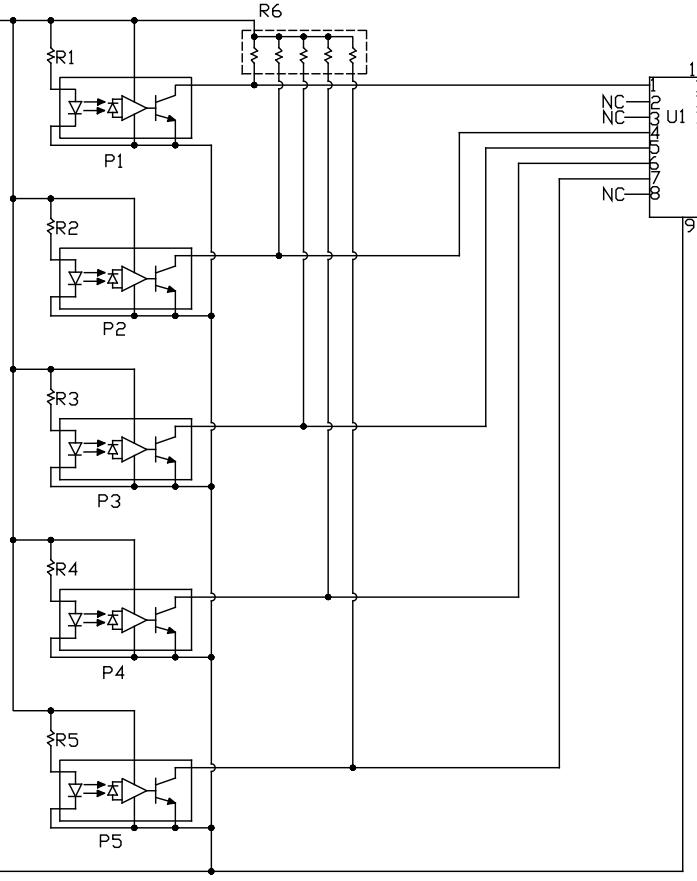


CN1 PIN 4 (12V)



SCHEMATIC FOR P29938.PCB AND P42072.PCB