

AP27911 CN1<BLACK>
PIN
1 N/C
2 N/C
3 RED<W6800> SW BATT
4 WHT<W6230> GROUND
5 CAN SHIELD
6 N/C
7 GRN CAN LOW
8 YEL CAN HI

AP27911 CN10<GRAY>
PIN
1 BLK <W7599> SWITCH LIGHT CONTROL
2 RED <W6100> RESET OUT
3 BLK <W7550> RESET IN
4 RED <W6121> WARN LIGHT SUPPLY
5 WHT <W6230> SWITCH LIGHT SUPPLY
6 BLK <W7699> WARN LIGHT/BUZZER CONTROL

AP27911 CN11<GRAY>
PIN
1 RED<W6110> IGNITION
2 N/C
3 N/C
4 N/C
5 RED<W6120> ACCESSORY
6 RED<W6100> HOUSE BATTERY
7 WHT<W6230> GROUND
8 N/C
9 N/C
10 N/C
11 BLK<W9000> PARK BRAKE SWITCH
12 RED<W6101> ENGINE BATTERY

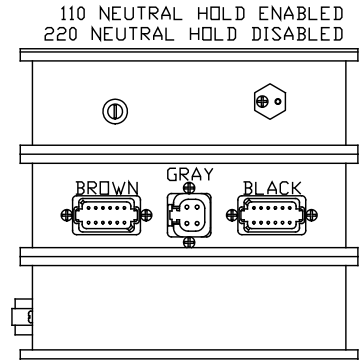
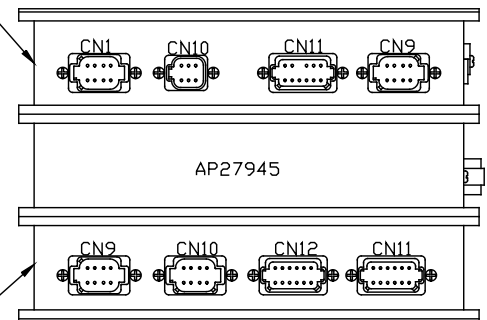
AP27911 CN9<GREEN>
PIN
1 BLK <W8500> MASTER RELAY CONTROL
2 BLK <W8100> SYSTEM PSW
3 N/C
4 BLK <W8600> PMP RELAY CONTROL
5 BLK <W9900> SPEED SWITCH
6 BLK <W9901> PUMP MONITOR
7 N/C
8 N/C

AP27945<BROWN>
PIN
1 N/C
2 BLK<W1500> LEFT FRONT RAISE
3 BLK<W1600> LEFT FRONT LOWER
4 BLK<W2500> RIGHT FRONT RAISE
5 BLK<W2600> RIGHT FRONT LOWER
6 BLK<W9700> COMPRESSOR
7 N/C
8 BLK<W1700> FRONT TRAVEL
9 N/C
10 N/C
11 WHT<W6254> GROUND
12 N/C

AP27945<GRAY>
PIN
1 BLK<W6800> SW BATT
2 BLK<W6800> SW BATT
3 WHT<W6230> GND
4 WHT<W6230> GND

AP27945<BLACK>
PIN
1 BLK<W5050> EXTEND CYL. ROOM 1
2 BLK<W5150> RETRACT CYL ROOM 1
3 BLK<W5051> EXTEND CYL. ROOM 2
4 BLK<W5151> RETRACT CYL ROOM 2
5 BLK<W5052> EXTEND CYL. ROOM 3
6 BLK<W5152> RETRACT CYL ROOM 3
7 N/C
8 N/C
9 BLK<W5153> RETRACT CYL ROOM 4
10 BLK<W5053> EXTEND CYL ROOM 4
11 N/C
12 N/C

AP27911
AP27665



AP31865
FRONT AIR/CONTROL/ROOM 1/ROOM 3
MODULE

AP27665 CN9<BLACK>
PIN
1 BLK<W7696> SYSTEM WAKE UP
2 N/C
3 RED<W6800> SW BATT
4 WHT<W6230> GROUND
5 CAN SHIELD
6 RED<W6110> IGNITION
7 GRN CAN LOW
8 YEL CAN HI

AP27665 CN10<GRAY> Δ
PIN
1 BLK<W6807> ROOM SELECT SIGNAL
2 BLK<W7510> READY TO OPERATE
3 BLK<W7530> PUMP
4 BLK<W7501> EXTEND <ROOM 1/ROOM 4>
5 BLK<W7502> RETRACT <ROOM 1/ROOM 4>
6 RED<W6805> SW BATTERY
7 BLK<W7696> SYSTEM WAKE UP
8 WHT<W6230> GROUND

AP27665 CN12<GRAY>
PIN
1 N/C
2 N/C
3 N/C
4 N/C
5 N/C
6 WHT<W6236> GROUND
7 BLK<W6800> SW BATT
8 N/C
9 N/C
10 BLK<W2210> RIGHT FRONT AIR PSW
11 BLK<W7521> TAG LIFT SW
12 N/C

AP27665 CN11<GREEN>
PIN
1 N/C
2 N/C
3 N/C
4 N/C
5 N/C
6 WHT<W6235> GROUND
7 N/C
8 N/C
9 N/C
10 BLK<W1210> LEFT FRONT AIR PSW
11 N/C
12 N/C

| | | |
|----------|---------|----------------------|
| Δ | 24MAY06 | CORRECTED ROOM NO.'S |
| Δ | 22DEC05 | WAS AP27665 |
| 2 | 22DEC05 | UPDATED LED'S |
| 1 | 11OCT05 | ADDED 'P' SHEET |
| NO. | DATE | REVISION |

HWH I-80 EXIT 267 SOUTH
RT 1 MOSCOW, IOWA 52760
SCALE 1:3 DATE 16SEP03 DRAWN BY .
SYSTEM SCHEMATIC ELEC

THE INFORMATION DISCLOSED ON THIS DRAWING IS CONFIDENTIAL AND MUST NOT BE DISCLOSED OR USED IN ANY MANNER WHICH WILL BE DETRIMENTAL TO THE HWH CORPORATION
DRAWING NUMBER
MP89117 A/P

AP31864
REAR AIR/ROOM 2/ROOM 4
MODULE

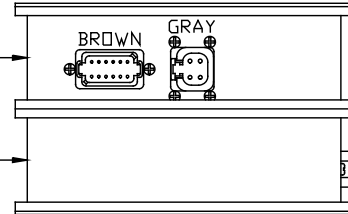
AP26117 (BROWN)
PIN

- 1 BLK(W3800) TAG LIFT
- 2 BLK(W4500) LEFT REAR RAISE
- 3 BLK(W4600) LEFT REAR LOWER
- 4 BLK(W3500) RIGHT REAR RAISE
- 5 BLK(W3600) RIGHT REAR LOWER
- 6 N/C
- 7 BLK(W3701) TAG TRAVEL
- 8 BLK(W3700) REAR TRAVEL
- 9 BLK(W3601) TAG RIGHT DUMP
- 10 BLK(W4601) TAG LEFT DUMP
- 11 WHT (W6258) GROUND
- 12 N/C

AP26117 (GRAY)
PIN

- 1 BLK(W6800) SW BATT
- 2 BLK(W6800) SW BATT
- 3 WHT(W6230) GROUND
- 4 WHT(W6230) GROUND

△ AP32291



AP27665 CN9(BLACK)
PIN

- 1 BLK(W7696) SYSTEM WAKE UP
- 2 N/C
- 3 RED(W6800) SW BATTERY
- 4 WHT(W6230) GROUND
- 5 CAN SHIELD
- 6 RED(W6110) IGNITION
- 7 GRN CAN LOW
- 8 YEL CAN HI

AP27665 CN10(GRAY) △

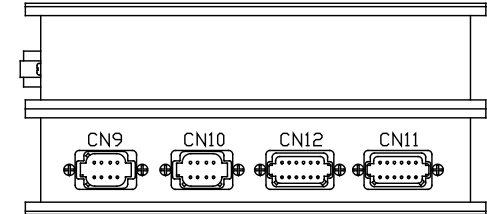
- 1 BLK(W6807) ROOM SELECT SIGNAL
- 2 BLK(W7510) READY TO OPERATE
- 3 BLK(W7530) PUMP
- 4 BLK(W7501) EXTEND (ROOM 2/ROOM 3)
- 5 BLK(W7502) RETRACT (ROOM 2/ROOM 3)
- 6 RED(W6805) SW BATTERY
- 7 BLK(W7696) SYSTEM WAKE UP
- 8 WHT(W6230) GROUND

AP27665 CN12(GRAY)
PIN

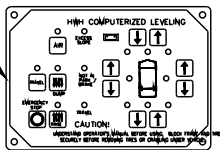
- 1 BLK(W4211) LEFT REAR TAG PRESS. SW.
- 2 BLK(W3211) RIGHT REAR TAG PRESS. SW.
- 3 BLK(W3215) SYSTEM PRESS. SW.
- 4 N/C
- 5 N/C
- 6 WHT(W6231) GROUND
- 7 N/C
- 8 N/C
- 9 N/C
- 10 N/C
- 11 N/C
- 12 N/C

AP27665 CN11(GREEN)
PIN

- 1 N/C
- 2 BLK(W4210) LEFT REAR PRESS. SW.
- 3 BLK(W3210) RIGHT REAR PRESS. SW.
- 4 N/C
- 5 N/C
- 6 WHT(W6232) GROUND
- 7 N/C
- 8 N/C
- 9 N/C
- 10 N/C
- 11 N/C
- 12 N/C



AP22703



5 1

- PIN
- 1 YELLOW CAN HI
 - 2 GREEN CAN LOW
 - 3 CAN SHIELD
 - 4 GRN (W6230) GROUND
 - 5 RED (W6800) SW. BATTERY

120 OHM
TERMINATION
RESISTOR
PART OF AP27720

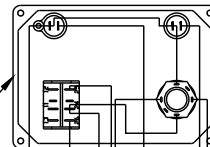
TO OEM PROVIDED
CONNECTION



- PIN
- A GREEN CAN LOW
 - B CAN SHIELD
 - C YELLO CAN HIGH

AP31973

AP22475



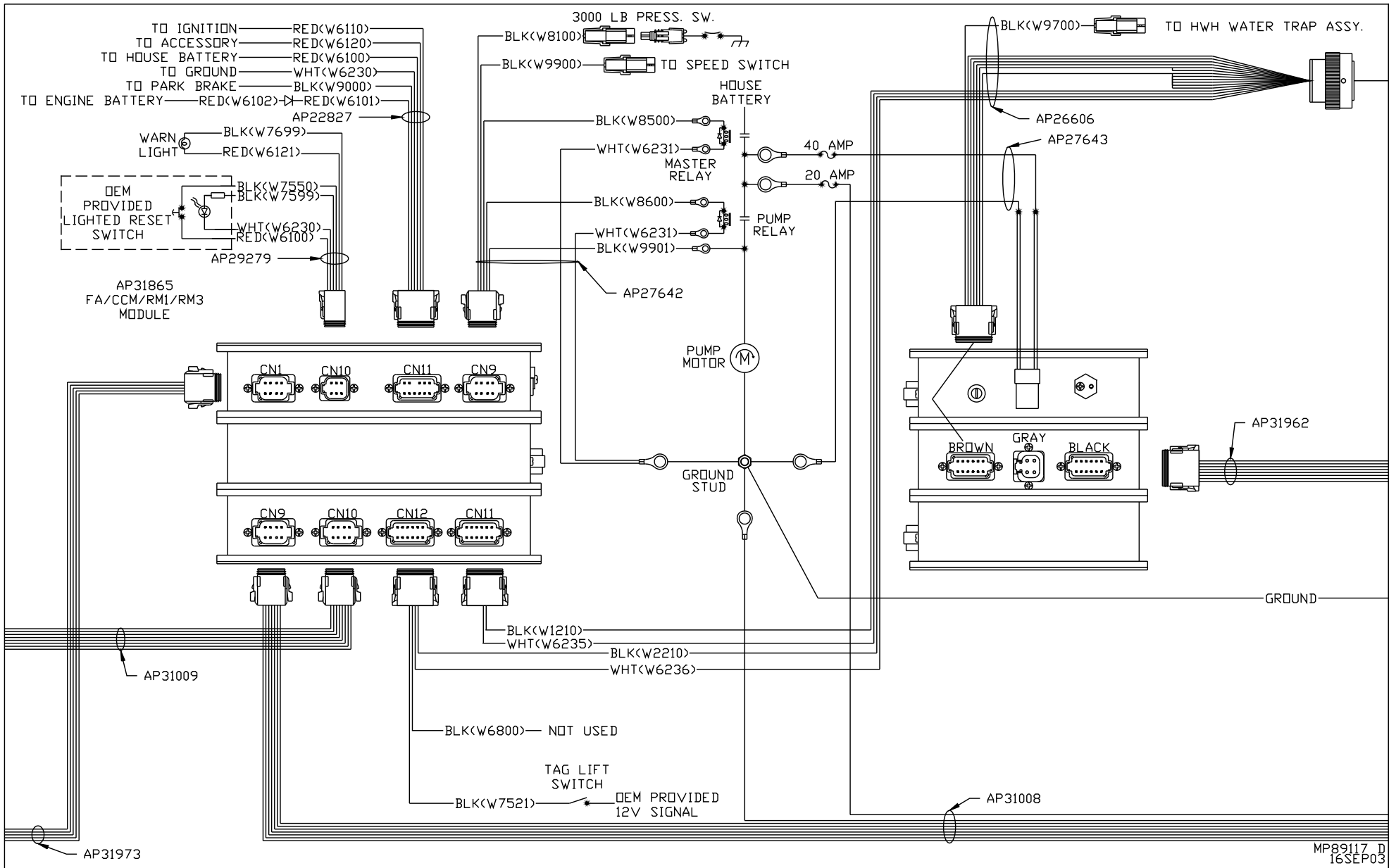
AP31009/AP22475
PIN

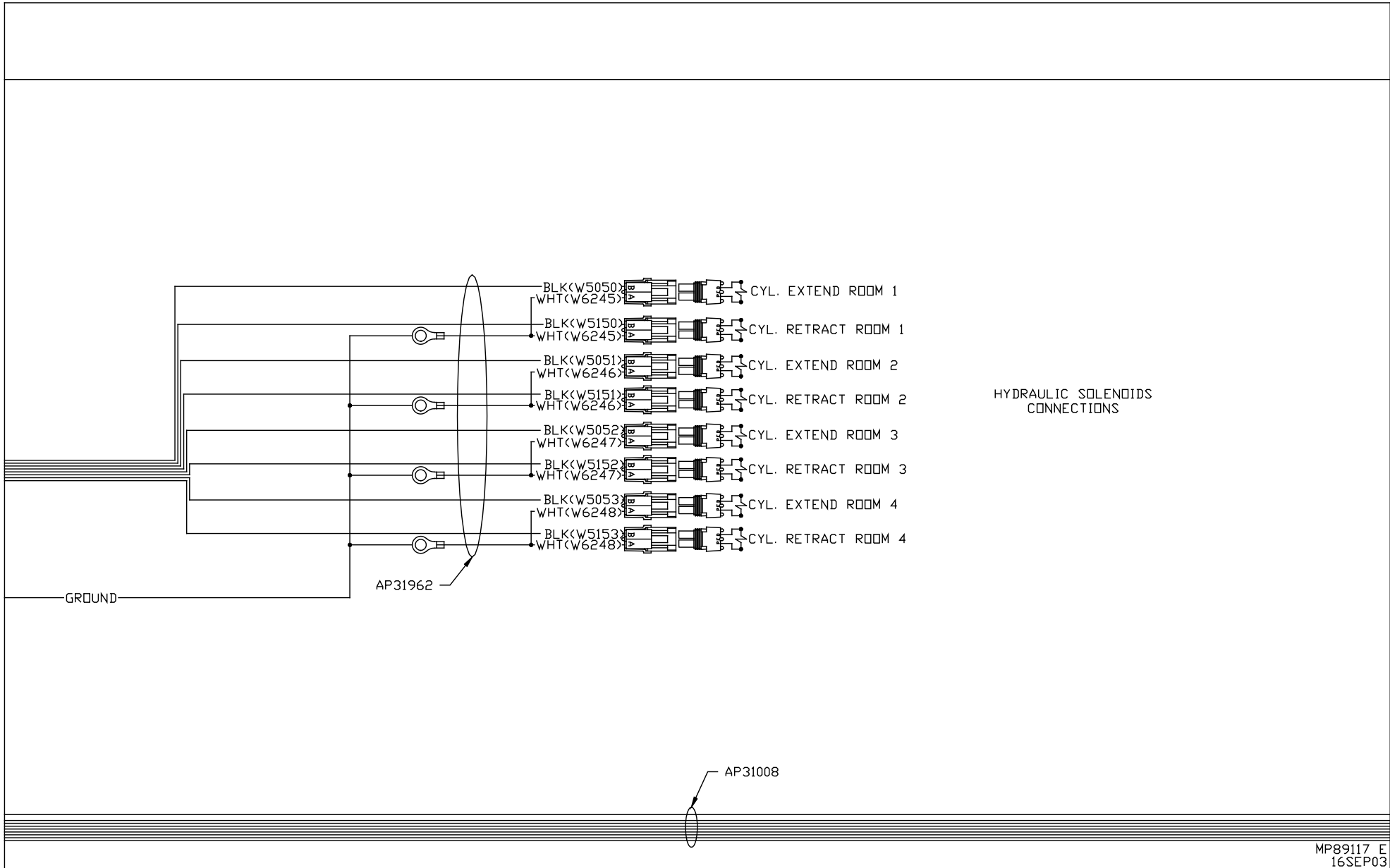
- 1 N/C
- 2 BLK(W7510) READY TO OPERATE
- 3 BLK(W7530) PUMP
- 4 BLK(W7501) ROOM EXTEND
- 5 BLK(W7502) ROOM RETRACT
- 6 RED(W6805) SW BATTERY
- 7 BLK(W7631) SYSTEM WAKE UP
- 8 WHT(W6230) GROUND

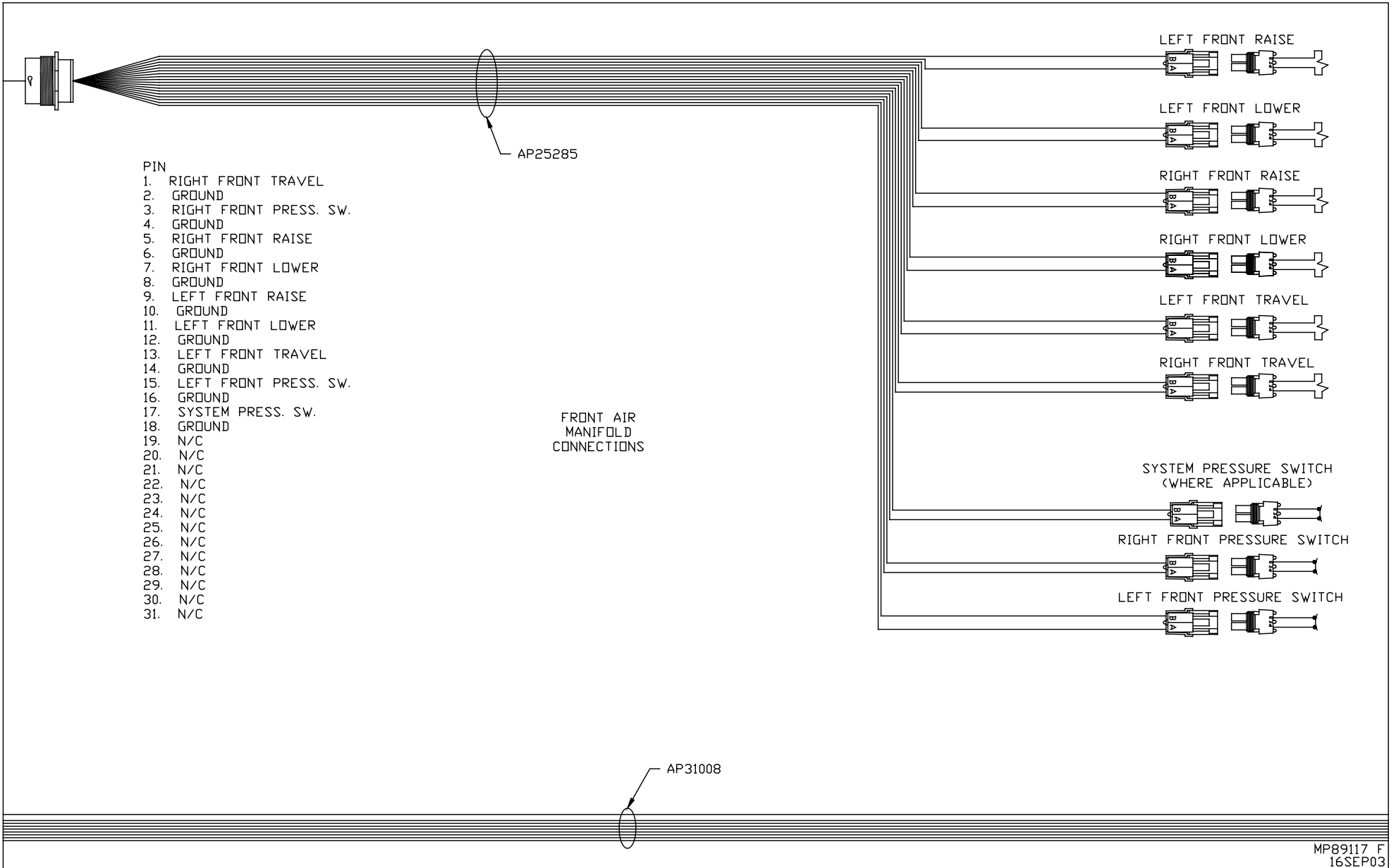
AP31009

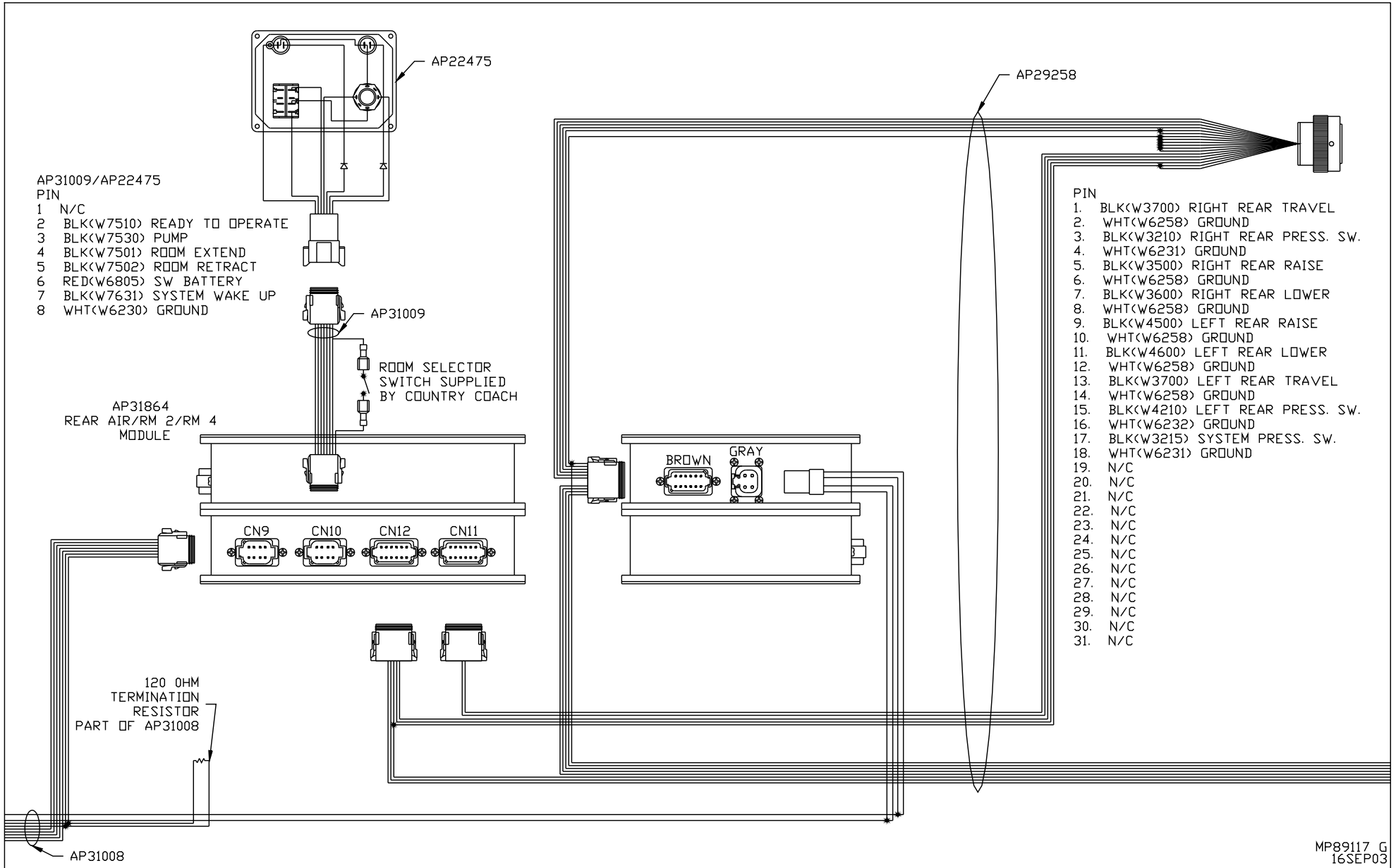
RED(W6805) — [switch symbol] — RED(W6807)

ROOM SELECTOR SWITCH
SUPPLIED BY COUNTRY COACH











- PIN
1. RIGHT REAR TRAVEL
 2. GROUND
 3. RIGHT REAR PRESS. SW.
 4. GROUND
 5. RIGHT REAR RAISE
 6. GROUND
 7. RIGHT REAR LOWER
 8. GROUND
 9. LEFT REAR RAISE
 10. GROUND
 11. LEFT REAR LOWER
 12. GROUND
 13. LEFT REAR TRAVEL
 14. GROUND
 15. LEFT REAR PRESS. SW.
 16. GROUND
 17. SYSTEM PRESS. SW.
 18. GROUND
 19. N/C
 20. N/C
 21. N/C
 22. N/C
 23. N/C
 24. N/C
 25. N/C
 26. N/C
 27. N/C
 28. N/C
 29. N/C
 30. N/C
 31. N/C

AP25285

REAR AIR
MANIFOLD
CONNECTIONS

AP29258

LEFT REAR RAISE



LEFT REAR LOWER



RIGHT REAR RAISE



RIGHT REAR LOWER



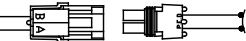
LEFT REAR TRAVEL



RIGHT REAR TRAVEL



SYSTEM PRESSURE SWITCH



RIGHT REAR PRESSURE SWITCH



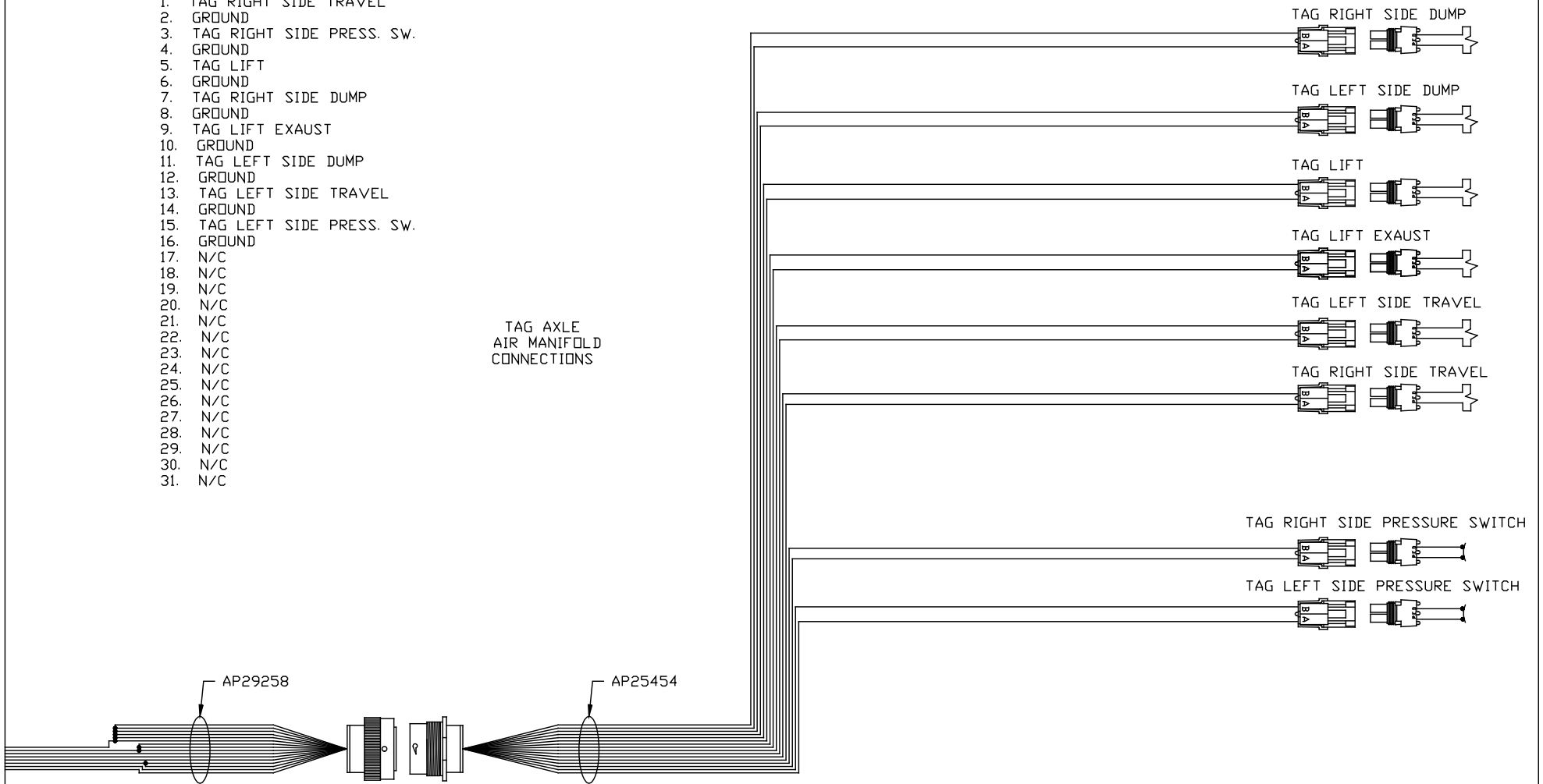
LEFT REAR PRESSURE SWITCH

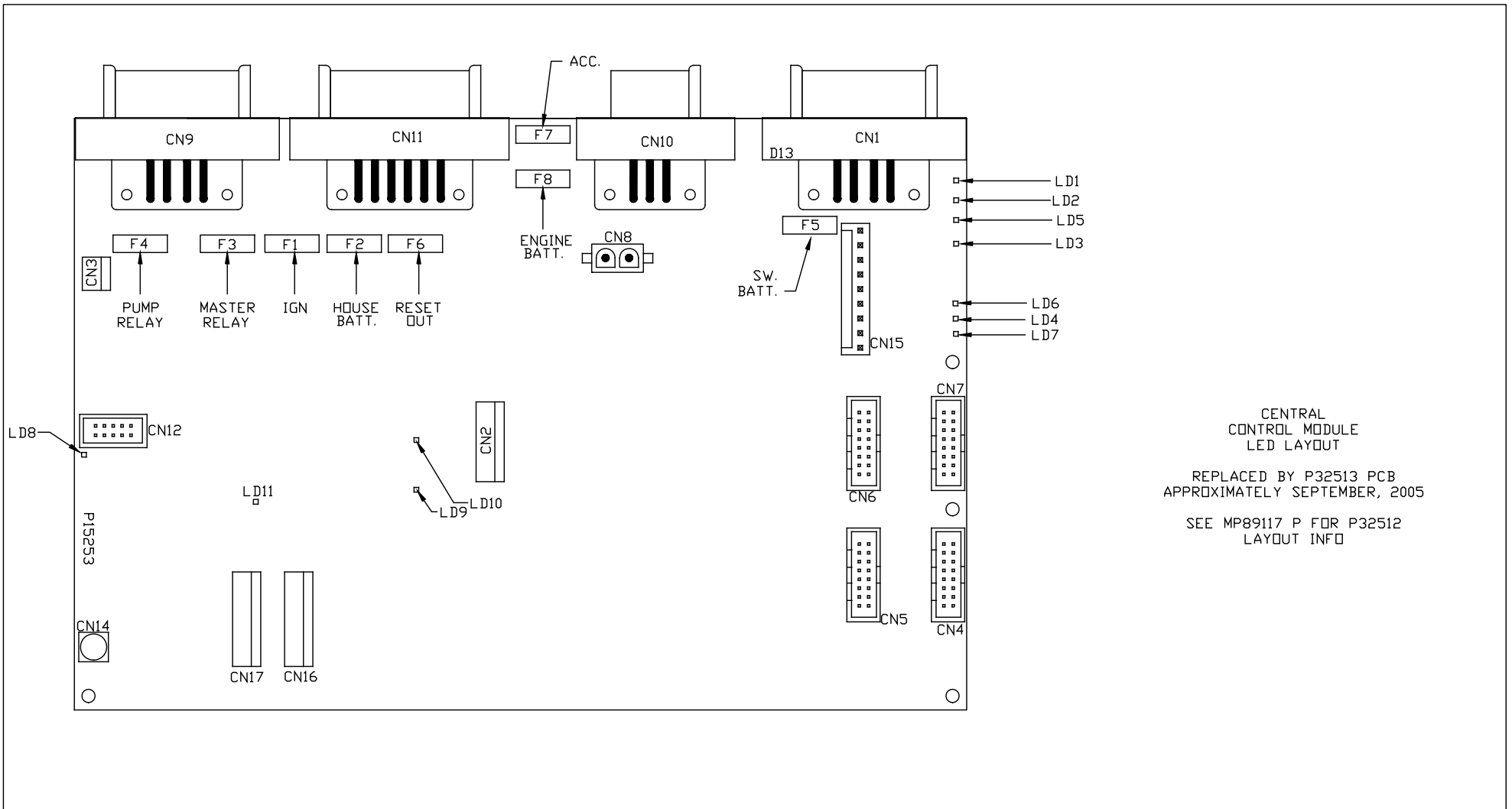


PIN

- 1. TAG RIGHT SIDE TRAVEL
- 2. GROUND
- 3. TAG RIGHT SIDE PRESS. SW.
- 4. GROUND
- 5. TAG LIFT
- 6. GROUND
- 7. TAG RIGHT SIDE DUMP
- 8. GROUND
- 9. TAG LIFT EXHAUST
- 10. GROUND
- 11. TAG LEFT SIDE DUMP
- 12. GROUND
- 13. TAG LEFT SIDE TRAVEL
- 14. GROUND
- 15. TAG LEFT SIDE PRESS. SW.
- 16. GROUND
- 17. N/C
- 18. N/C
- 19. N/C
- 20. N/C
- 21. N/C
- 22. N/C
- 23. N/C
- 24. N/C
- 25. N/C
- 26. N/C
- 27. N/C
- 28. N/C
- 29. N/C
- 30. N/C
- 31. N/C

TAG AXLE
AIR MANIFOLD
CONNECTIONS



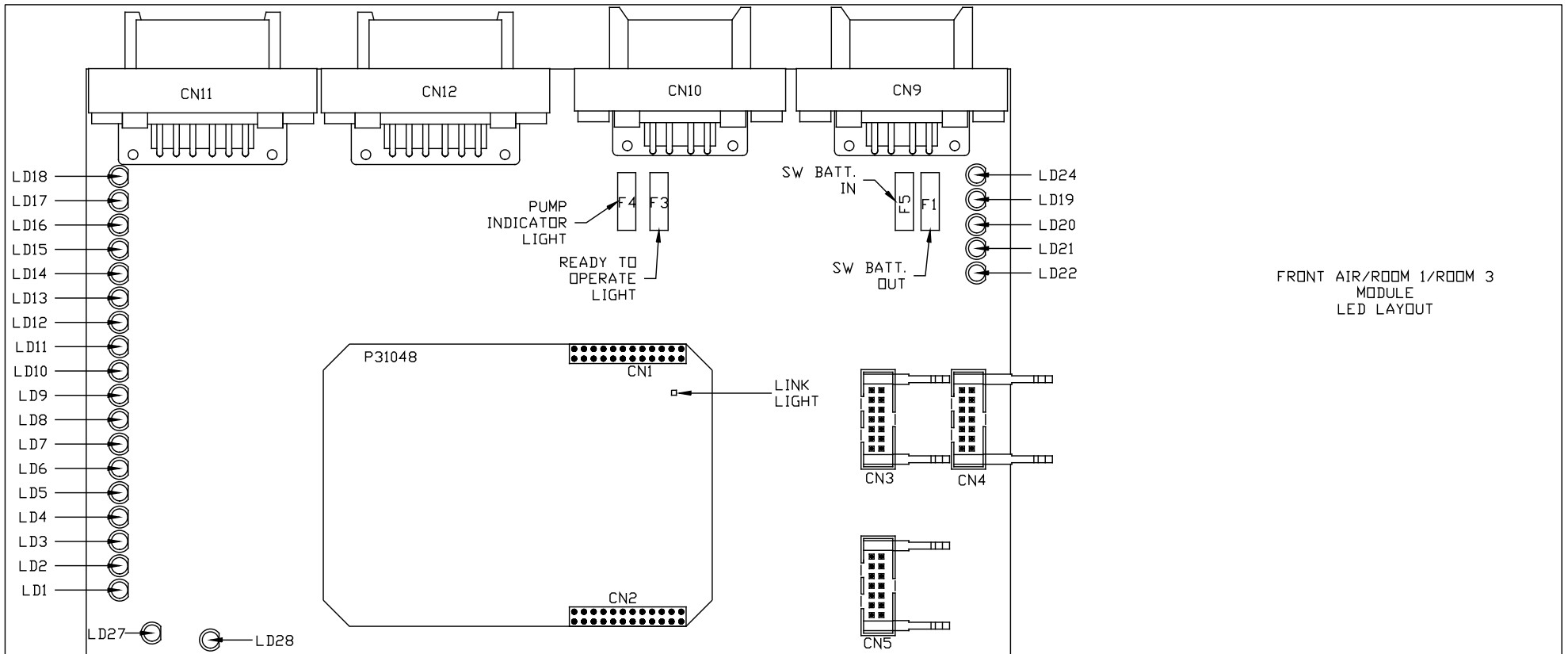


CENTRAL
 CONTROL MODULE
 LED LAYOUT
 REPLACED BY P32513 PCB
 APPROXIMATELY SEPTEMBER, 2005
 SEE MP89117 P FOR P32512
 LAYOUT INFO

| LED # | CONNECTOR | COLOR | DESCRIPTION |
|-------|--------------|----------|--------------|
| LED 1 | CN 9 PIN 1 | RED | MASTER RELAY |
| LED 2 | CN 9 PIN 4 | RED | PUMP RELAY |
| LED 3 | CN 1 PIN 3 | RED | SW 12V |
| LED 4 | CN 11 PIN 12 | RED | ENGINE BATT |
| LED 5 | CN 9 PIN 5 | RED | SPEED SWITCH |
| LED 6 | NOT USED | NOT USED | NOT USED |

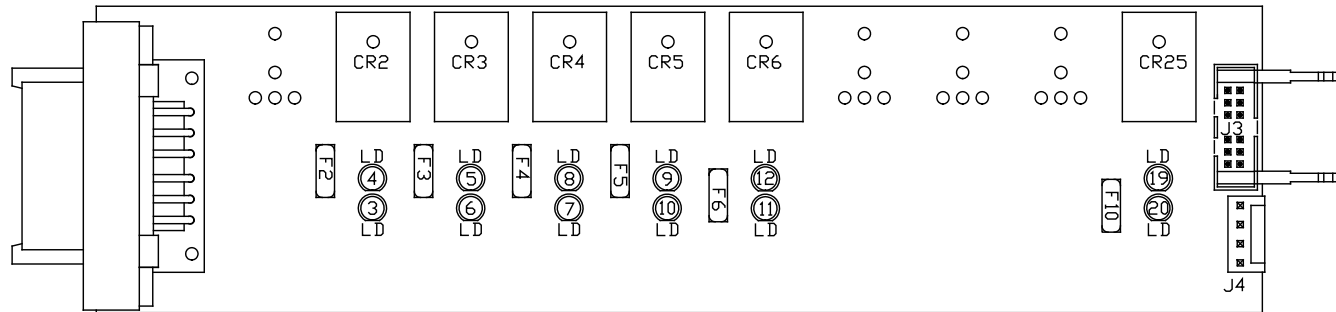
| LED # | CONNECTOR | COLOR | DESCRIPTION |
|--------|----------------|----------|---------------|
| LED 7 | CN 1 PIN 7 & 8 | RED | LINK LIGHT |
| LED 8 | NOT USED | NOT USED | NOT USED |
| LED 9 | NOT USED | NOT USED | NOT USED |
| LED 10 | CN 9 PIN 2 | RED | 3000 LBS. PSW |
| LED 11 | CN 11 PIN 11 | RED | PARK BRAKE |

MP89117 J
21DEC05



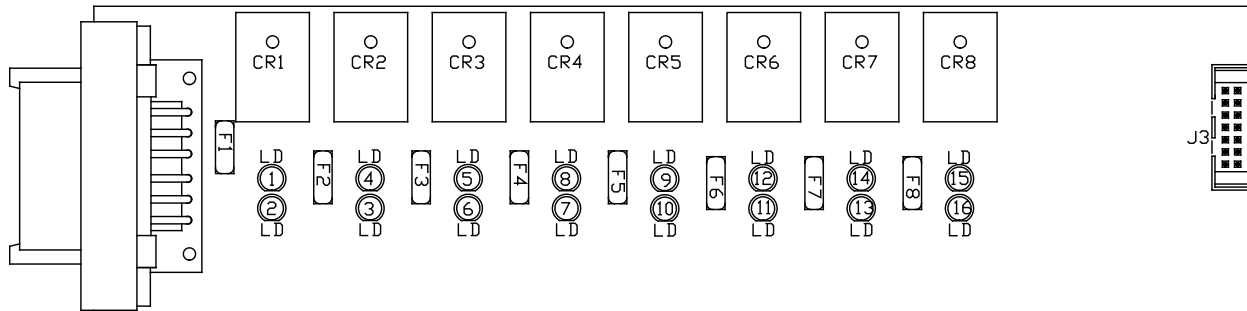
FRONT AIR/ROOM 1/ROOM 3
MODULE
LED LAYOUT

| LED # | CONNECTOR | COLOR | DESCRIPTION | LED # | CONNECTOR | COLOR | DESCRIPTION |
|--------|-------------|--------|--------------------|--------|-----------------|-------|------------------|
| LED 1 | CN10 PIN 4 | RED | EXTEND | LED 16 | NOT USED | GREEN | NOT USED |
| LED 2 | CN10 PIN 5 | RED | RETRACT | LED 17 | NOT USED | GREEN | NOT USED |
| LED 3 | NOT USED | GREEN | NOT USED | LED 18 | NOT USED | GREEN | NOT USED |
| LED 4 | NOT USED | YELLOW | NOT USED | LED 19 | CN11/CN12 PIN 7 | RED | 12V OUTPUT |
| LED 5 | NOT USED | YELLOW | NOT USED | LED 20 | CN9 PIN 3 | RED | SW BATT |
| LED 6 | NOT USED | YELLOW | NOT USED | LED 21 | CN10 PIN 3 | RED | PUMP INDICATOR |
| LED 7 | NOT USED | GREEN | NOT USED | LED 22 | CN10 PIN 2 | RED | READY TO OPERATE |
| LED 8 | NOT USED | GREEN | NOT USED | LED 24 | CN10 PIN 7 | RED | SYSTEM WAKE UP |
| LED 9 | CN11 PIN 10 | GREEN | LEFT FRONT PSW | LED 27 | NOT USED | RED | NOT USED |
| LED 10 | CN12 PIN 10 | GREEN | RIGHT FRONT PSW | LED 28 | CN 12 PIN 11 | RED | TAG LIFT SWITCH |
| LED 11 | NOT USED | YELLOW | NOT USED | | | | |
| LED 12 | NOT USED | YELLOW | NOT USED | | | | |
| LED 13 | NOT USED | YELLOW | NOT USED | | | | |
| LED 14 | CN10 PIN 1 | YELLOW | ROOM SELECT SIGNAL | | | | |
| LED 15 | NOT USED | GREEN | NOT USED | | | | |



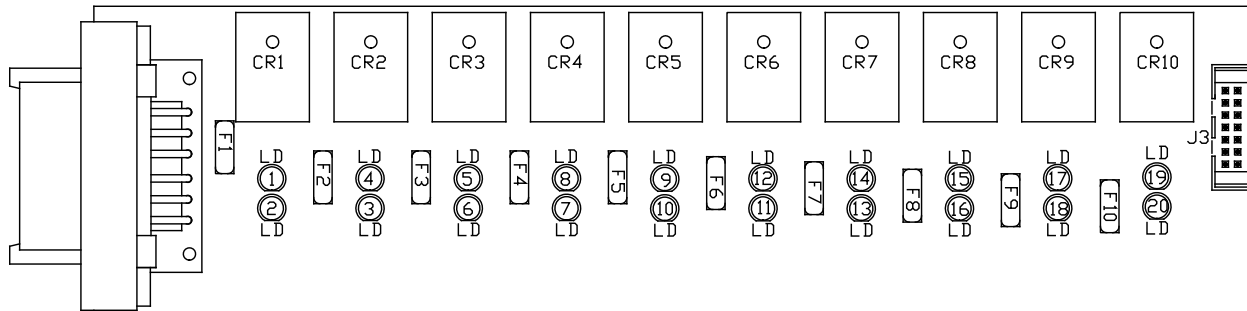
FRONT AIR
LED LAYOUT

| LED # | COLOR | INPUT J3 | FUSE # | OUTPUT | RELAY # | DESCRIPTION |
|-------|--------|----------|---------|--------|---------|-----------------------------|
| LED1 | --- | --- | --- | --- | --- | --- |
| LED2 | --- | --- | --- | --- | --- | --- |
| LED3 | RED | --- | FUSE 2 | PIN 2 | CR2 | LEFT FRONT RAISE (CONTACT) |
| LED4 | YELLOW | PIN 12 | --- | --- | CR2 | LEFT FRONT RAISE (COIL) |
| LED5 | YELLOW | PIN 11 | --- | --- | CR3 | LEFT FRONT LOWER (COIL) |
| LED6 | RED | --- | FUSE 3 | PIN 3 | CR3 | LEFT FRONT LOWER (CONTACT) |
| LED7 | RED | --- | FUSE 4 | PIN 4 | CR4 | RIGHT FRONT RAISE (CONTACT) |
| LED8 | YELLOW | PIN 10 | --- | --- | CR4 | RIGHT FRONT RAISE (COIL) |
| LED9 | YELLOW | PIN 9 | --- | --- | CR5 | RIGHT FRONT LOWER (COIL) |
| LED10 | RED | --- | FUSE 5 | PIN 5 | CR5 | RIGHT FRONT LOWER (CONTACT) |
| LED11 | RED | --- | FUSE 6 | PIN 6 | CR6 | COMPRESSOR (CONTACT) |
| LED12 | YELLOW | PIN 8 | --- | --- | CR6 | COMPRESSOR (COIL) |
| LED13 | --- | --- | --- | --- | --- | --- |
| LED14 | --- | --- | --- | --- | --- | --- |
| LED15 | --- | --- | --- | --- | --- | --- |
| LED16 | --- | --- | --- | --- | --- | --- |
| LED17 | --- | --- | --- | --- | --- | --- |
| LED18 | --- | --- | --- | --- | --- | --- |
| LED19 | YELLOW | PIN 4 | --- | --- | CR25 | TRAVEL (COIL) |
| LED20 | RED | --- | FUSE 10 | PIN 8 | CR25 | TRAVEL (CONTACT) |



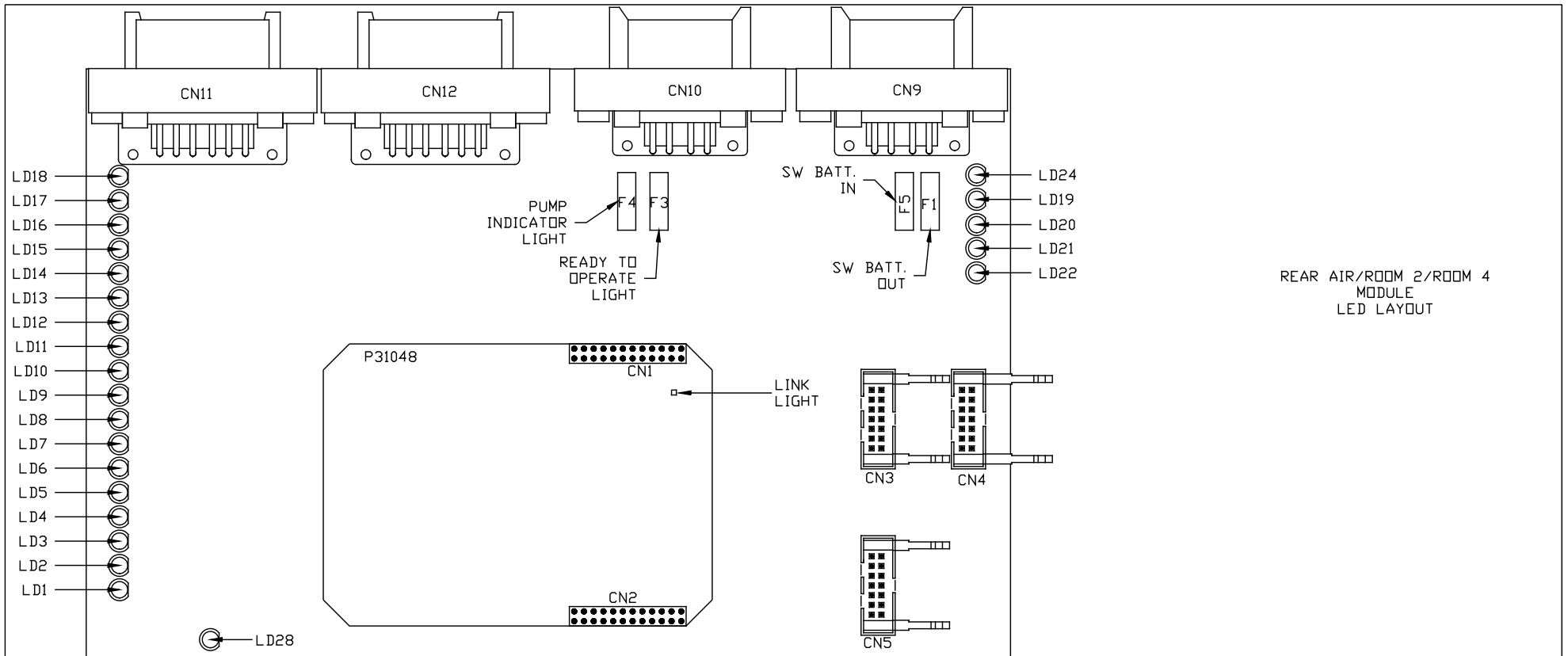
OUTPUT BOARD
LED LAYOUT

| LED # | COLOR | INPUT J3 | FUSE # | OUTPUT | RELAY # | DESCRIPTION |
|-------|--------|----------|--------|--------|---------|-------------------------|
| LED1 | YELLOW | PIN 13 | --- | --- | CR1 | CYL EXTEND 1 (COIL) |
| LED2 | RED | --- | FUSE 1 | PIN 1 | CR1 | CYL EXTEND 1 (CONTACT) |
| LED3 | RED | --- | FUSE 2 | PIN 2 | CR2 | CYL RETRACT 1 (CONTACT) |
| LED4 | YELLOW | PIN 12 | --- | --- | CR2 | CYL RETRACT 1 (COIL) |
| LED5 | YELLOW | PIN 11 | --- | --- | CR3 | CYL EXTEND 2 (COIL) |
| LED6 | RED | --- | FUSE 3 | PIN 3 | CR3 | CYL EXTEND 2 (CONTACT) |
| LED7 | RED | --- | FUSE 4 | PIN 4 | CR4 | CYL RETRACT 2 (CONTACT) |
| LED8 | YELLOW | PIN 10 | --- | --- | CR4 | CYL RETRACT 2 (COIL) |
| LED9 | YELLOW | PIN 9 | --- | --- | CR5 | CYL EXTEND 3 (COIL) |
| LED10 | RED | --- | FUSE 5 | PIN 5 | CR5 | CYL EXTEND 3 (CONTACT) |
| LED11 | RED | --- | FUSE 6 | PIN 6 | CR6 | CYL RETRACT 3 (CONTACT) |
| LED12 | YELLOW | PIN 8 | --- | --- | CR6 | CYL RETRACT 3 (COIL) |
| LED13 | RED | --- | FUSE 7 | PIN 10 | CR7 | CYL EXTEND 4 (CONTACT) |
| LED14 | YELLOW | PIN 7 | --- | --- | CR7 | CYL EXTEND 4 (COIL) |
| LED15 | YELLOW | PIN 6 | --- | --- | CR8 | CYL RETRACT 4 (COIL) |
| LED16 | RED | --- | FUSE8 | PIN 9 | CR8 | CYL RETRACT 4 (CONTACT) |
| LED17 | YELLOW | --- | --- | --- | --- | --- |
| LED18 | RED | --- | --- | --- | --- | --- |
| LED19 | YELLOW | --- | --- | --- | --- | --- |
| LED20 | RED | --- | --- | --- | --- | --- |

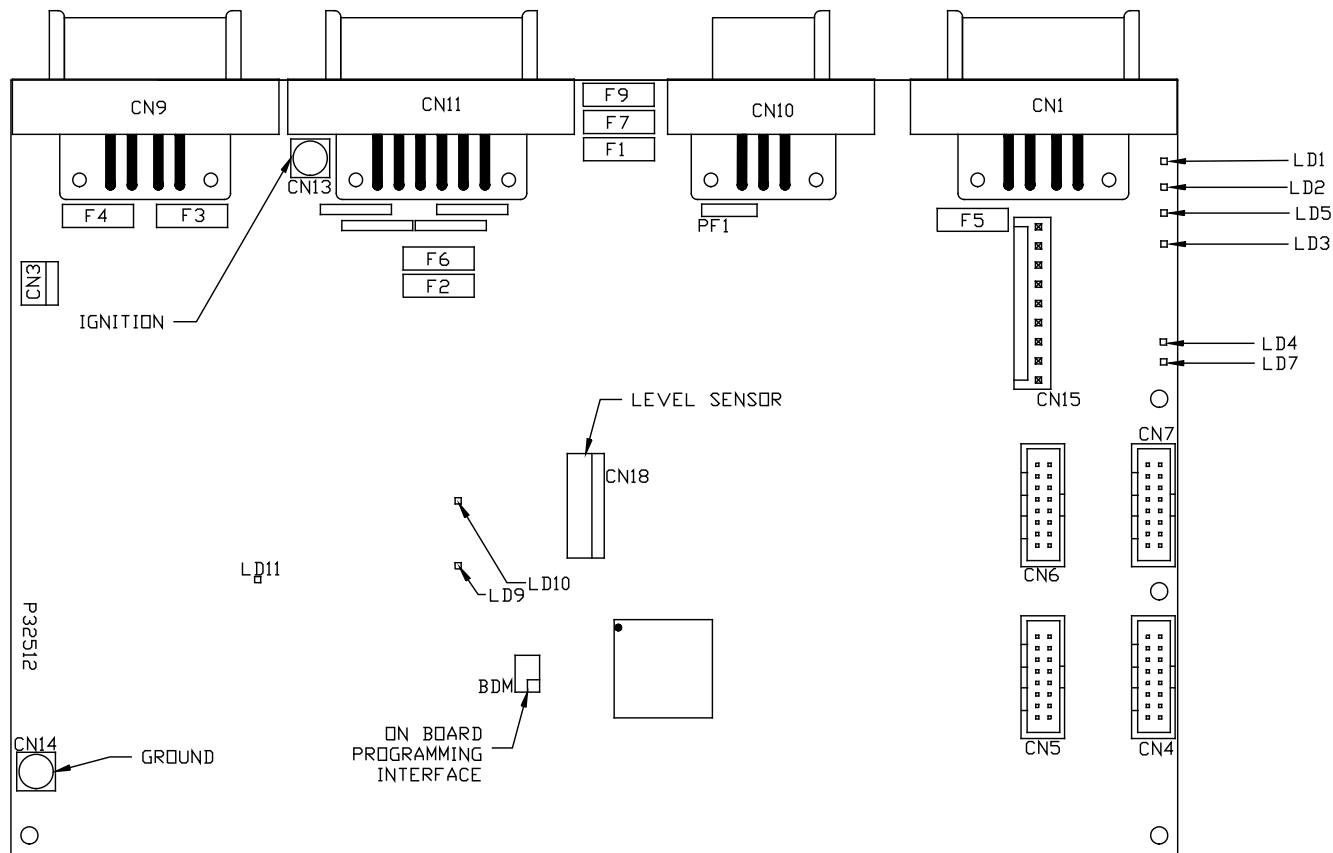


REAR AIR
LED LAYOUT

| LED # | COLOR | INPUT J3 | FUSE # | OUTPUT | RELAY # | DESCRIPTION |
|-------|--------|----------|---------|--------|---------|-------------------------------|
| LED1 | YELLOW | PIN 13 | --- | --- | CR1 | TAG LIFT <COIL> |
| LED2 | RED | --- | FUSE 1 | PIN 1 | CR1 | TAG LIFT <CONTACT> |
| LED3 | RED | --- | FUSE 2 | PIN 2 | CR2 | LEFT REAR RAISE <CONTACT> |
| LED4 | YELLOW | PIN 12 | --- | --- | CR2 | LEFT REAR RAISE <COIL> |
| LED5 | YELLOW | PIN 11 | --- | --- | CR3 | LEFT REAR LOWER <COIL> |
| LED6 | RED | --- | FUSE 3 | PIN 3 | CR3 | LEFT REAR LOWER <CONTACT> |
| LED7 | RED | --- | FUSE 4 | PIN 4 | CR4 | RIGHT REAR RAISE <CONTACT> |
| LED8 | YELLOW | PIN 10 | --- | --- | CR4 | RIGHT REAR RAISE <COIL> |
| LED9 | YELLOW | PIN 9 | --- | --- | CR5 | RIGHT REAR LOWER <COIL> |
| LED10 | RED | --- | FUSE 5 | PIN 5 | CR5 | RIGHT REAR LOWER<CONTACT> |
| LED11 | RED | --- | FUSE 6 | PIN 6 | CR6 | NOT USED |
| LED12 | YELLOW | PIN 8 | --- | --- | CR6 | NOT USED |
| LED13 | RED | --- | FUSE 7 | PIN 10 | CR7 | TAG LEFT REAR LOWER <CONTACT> |
| LED14 | YELLOW | PIN 7 | --- | --- | CR7 | TAG LEFT REAR LOWER <COIL> |
| LED15 | YELLOW | PIN 6 | --- | --- | CR8 | TAG RIGHT REAR LOWER<COIL> |
| LED16 | RED | --- | FUSE8 | PIN 9 | CR8 | TAG RIGHT REAR LOWER<CONTACT> |
| LED17 | YELLOW | PIN 5 | --- | --- | CR9 | TAG TRAVEL <COIL> |
| LED18 | RED | --- | FUSE 9 | PIN 7 | CR9 | TAG TRAVEL <CONTACT> |
| LED19 | YELLOW | PIN 4 | --- | --- | CR10 | TRAVEL <COIL> |
| LED20 | RED | --- | FUSE 10 | PIN 8 | CR10 | TRAVEL <CONTACT> |



| LED # | CONNECTOR | COLOR | DESCRIPTION | LED # | CONNECTOR | COLOR | DESCRIPTION |
|--------|------------|--------|---------------------------|--------|-----------------|-------|------------------|
| LED 1 | CN10 PIN 4 | RED | EXTEND | LED 16 | NOT USED | GREEN | NOT USED |
| LED 2 | CN10 PIN 5 | RED | RETRACT | LED 17 | NOT USED | GREEN | NOT USED |
| LED 3 | NOT USED | GREEN | NOT USED | LED 18 | NOT USED | GREEN | NOT USED |
| LED 4 | NOT USED | YELLOW | NOT USED | LED 19 | CN11/CN12 PIN 7 | RED | 12V OUTPUT |
| LED 5 | CN11 PIN 2 | YELLOW | LEFT REAR PRESS. SW. | LED 20 | CN9 PIN 3 | RED | SW BATT |
| LED 6 | CN12 PIN 2 | YELLOW | RIGHT REAR TAG PRESS. SW. | LED 21 | CN10 PIN 3 | RED | PUMP INDICATOR |
| LED 7 | CN11 PIN 3 | GREEN | RIGHT REAR PRESS. SW. | LED 22 | CN10 PIN 2 | RED | READY TO OPERATE |
| LED 8 | CN12 PIN 3 | GREEN | SYSTEM PRESS. SW. | LED 24 | CN10 PIN 7 | RED | SYSTEM WAKE UP |
| LED 9 | NOT USED | GREEN | NOT USED | LED 28 | NOT USED | RED | NOT USED |
| LED 10 | NOT USED | GREEN | NOT USED | | | | |
| LED 11 | NOT USED | YELLOW | NOT USED | | | | |
| LED 12 | CN12 PIN 1 | YELLOW | LEFT REAR TAG PRESS. SW. | | | | |
| LED 13 | NOT USED | YELLOW | NOT USED | | | | |
| LED 14 | CN10 PIN 1 | YELLOW | ROOM SELECT SIGNAL | | | | |
| LED 15 | NOT USED | GREEN | NOT USED | | | | |



CENTRAL
CONTROL MODULE
LED LAYOUT
EFFECTIVE APPROXIMATELY
SEPTEMBER, 2005

| LED # | CONNECTOR | COLOR | DESCRIPTION |
|--------|----------------|-------|---------------|
| LED 1 | CN 9 PIN 1 | RED | MASTER RELAY |
| LED 2 | CN 9 PIN 4 | RED | PUMP RELAY |
| LED 3 | CN 1 PIN 3 | RED | SW 12V |
| LED 4 | CN 11 PIN 12 | RED | ENGINE BATT |
| LED 5 | CN 9 PIN 5 | RED | SPEED SWITCH |
| LED 7 | CN 1 PIN 7 & 8 | RED | LINK LIGHT |
| LED 8 | NOT USED | RED | NOT USED |
| LED 9 | NOT USED | RED | NOT USED |
| LED 10 | CN9 PIN 2 | RED | 3000 LBS. PSW |
| LED 11 | CN11 PIN 11 | RED | PARK BRAKE |

| FUSE # | DESCRIPTION |
|--------|-------------------------|
| PF1 | RESET OUT |
| F7 | ACCESSORY |
| F1 | IGNITION |
| F2 | HOUSE BATTERY |
| F3 | MASTER RELAY |
| F4 | PUMP RELAY |
| F5 | SW. BATT TO CAN MODULES |
| F6 | ENGINE BATTERY |
| F9 | NOT USED |