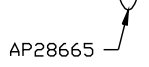
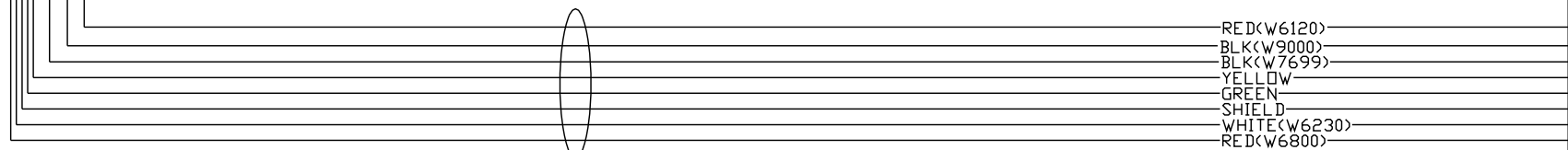
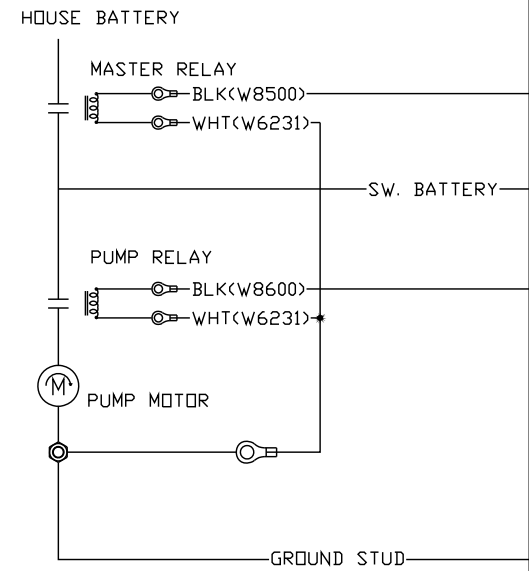
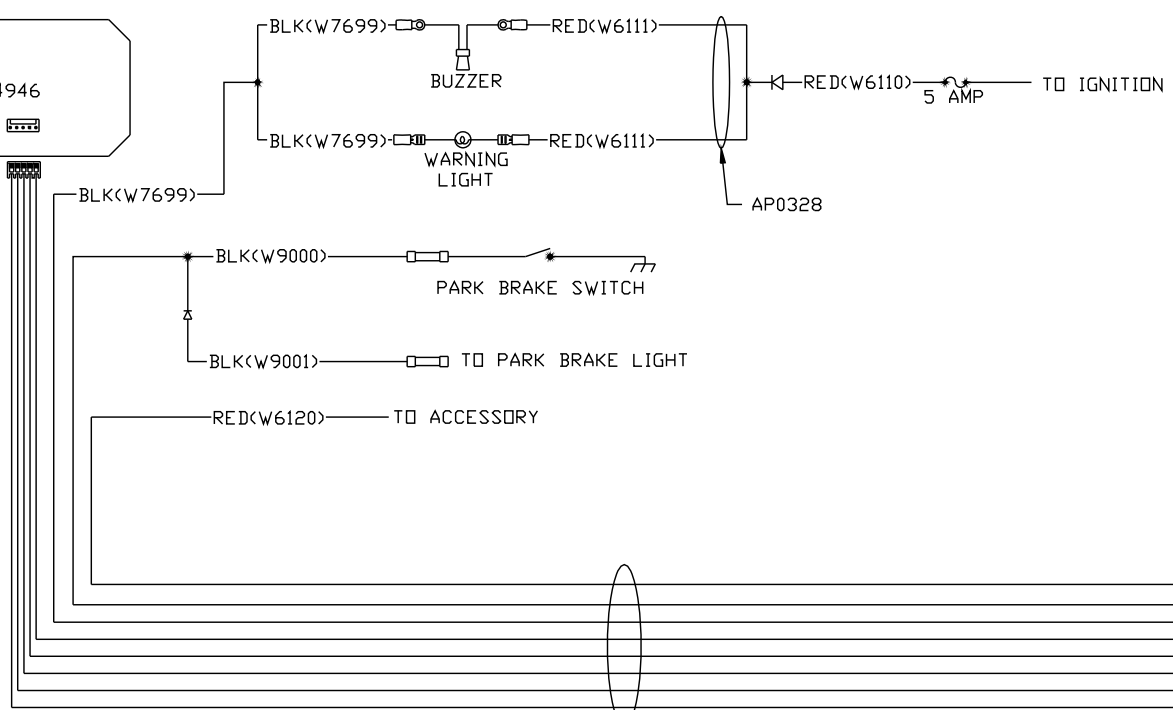


- PIN
1. YELLOW CAN HIGH
  2. GREEN CAN LOW
  3. CAN SHIELD
  4. WHT<W6230> GROUND
  5. RED<W6800> SW. BATTERY



| NO. | DATE | REVISION |
|-----|------|----------|
|     |      |          |
|     |      |          |
|     |      |          |

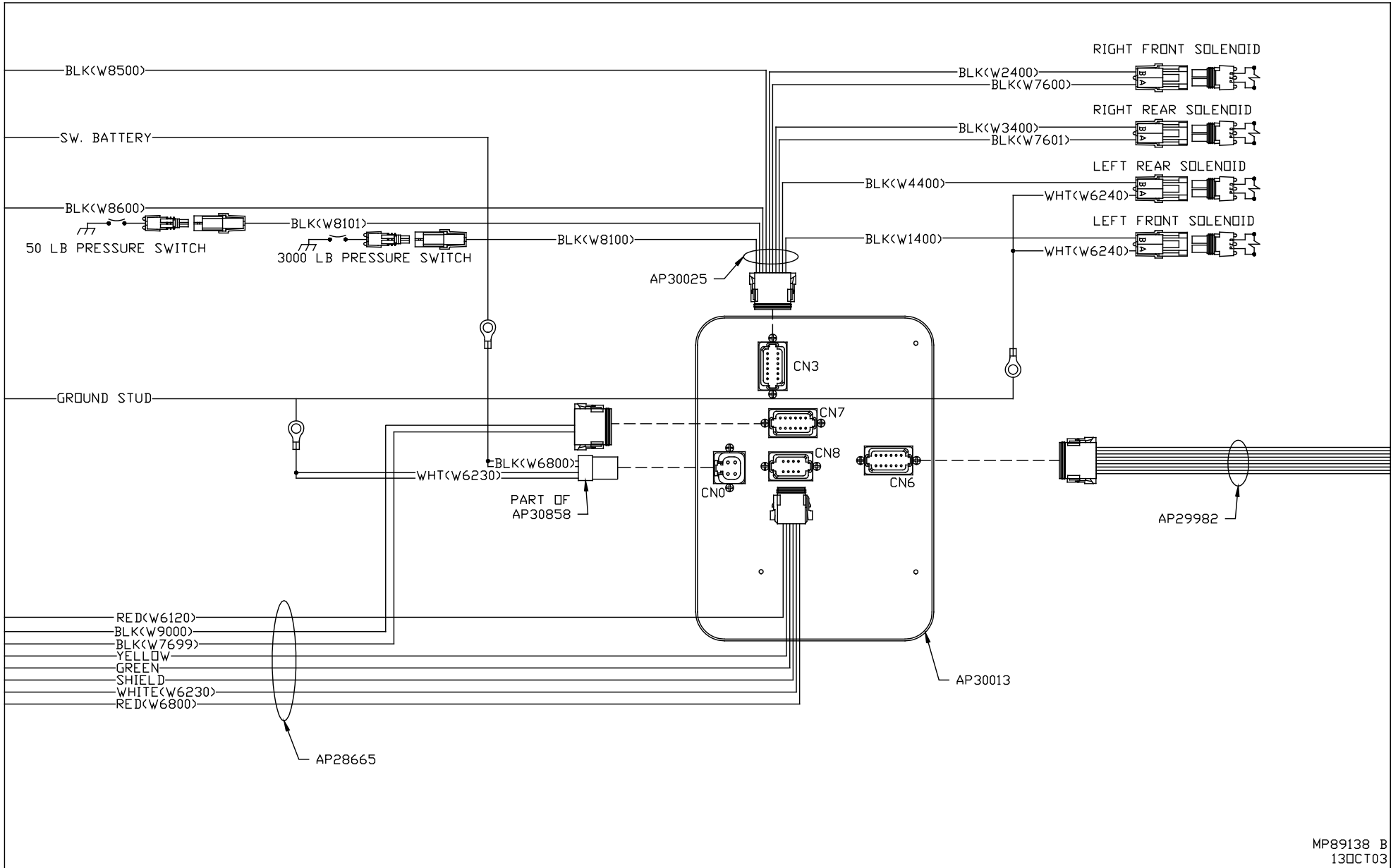
THE INFORMATION DISCLOSED ON THIS DRAWING IS CONFIDENTIAL AND MUST NOT BE DISCLOSED OR USED IN ANY MANNER WHICH WILL BE DETRIMENTAL TO THE HWH CORPORATION

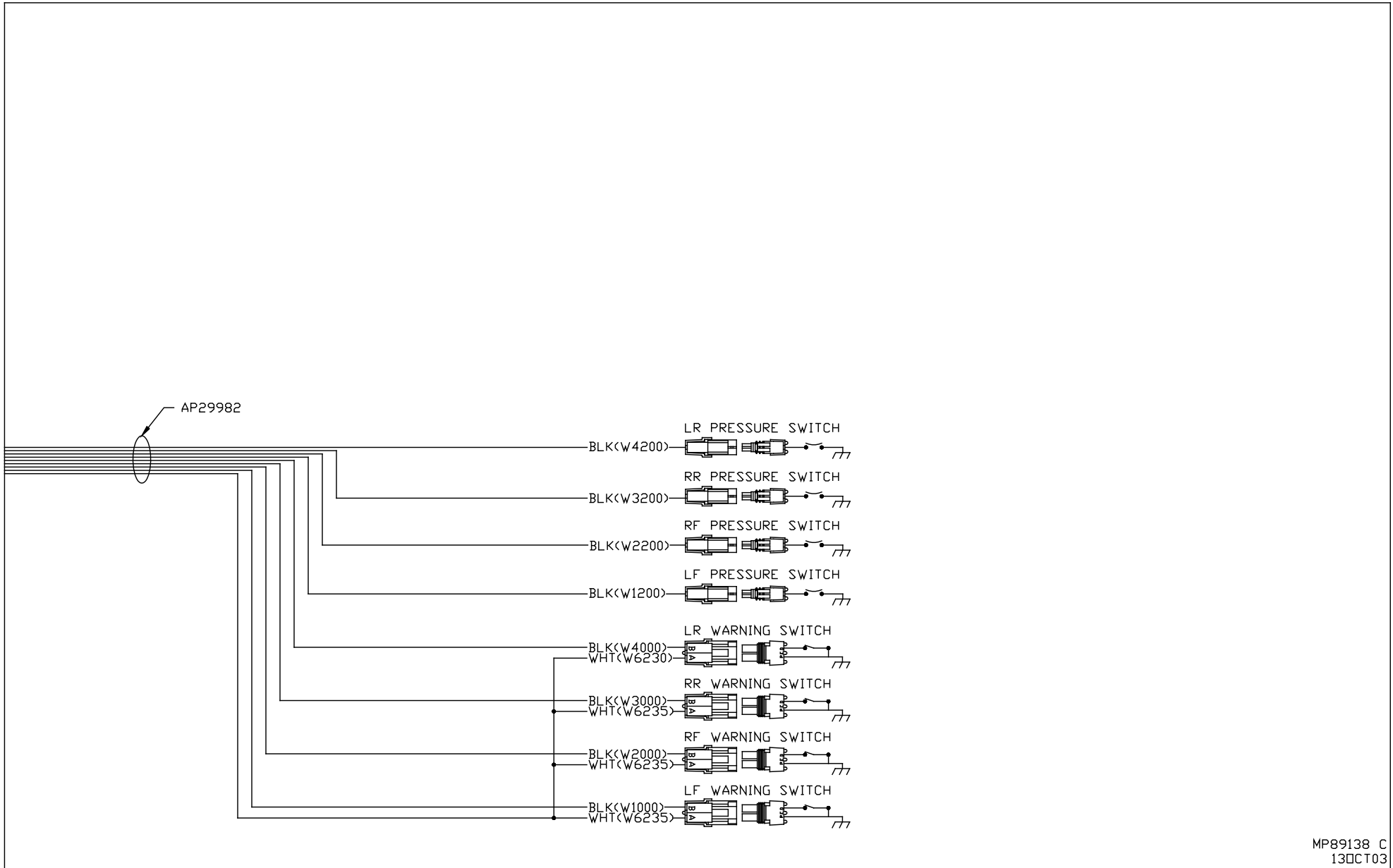
**HWH** I-80 EXIT 267 SOUTH  
RT 1 MOSCOW, IOWA 52760

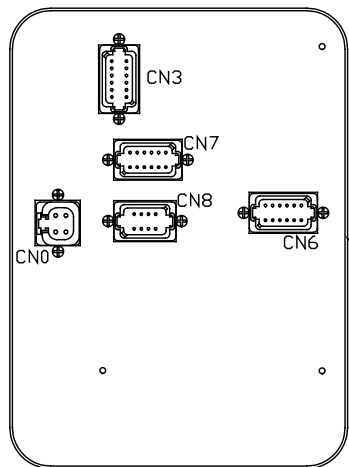
SCALE 1:3    DATE 13OCT03    DRAWN BY .

**SYSTEM SCHEMATIC ELEC**

DRAWING NUMBER  
MP89138 A/E







AP30013

CN3 (BROWN)  
PIN  
1 BLK(W8500) MASTER RELAY CONTROL  
2 BLK(W8100) 3000 LB PRESS SW  
3 BLK(W8101) 50 LB PRESS SW  
4 N/C  
5 BLK(W1400) LF SOLENOID  
6 BLK(W7600) CRX 1  
7 BLK(W7601) CRX 2  
8 BLK(W4400) LR SOLENOID  
9 BLK(W3400) RR SOLENOID  
10 BLK(W2400) RF SOLENOID  
11 N/C  
12 BLK(W8600) PUMP RELAY CONTROL

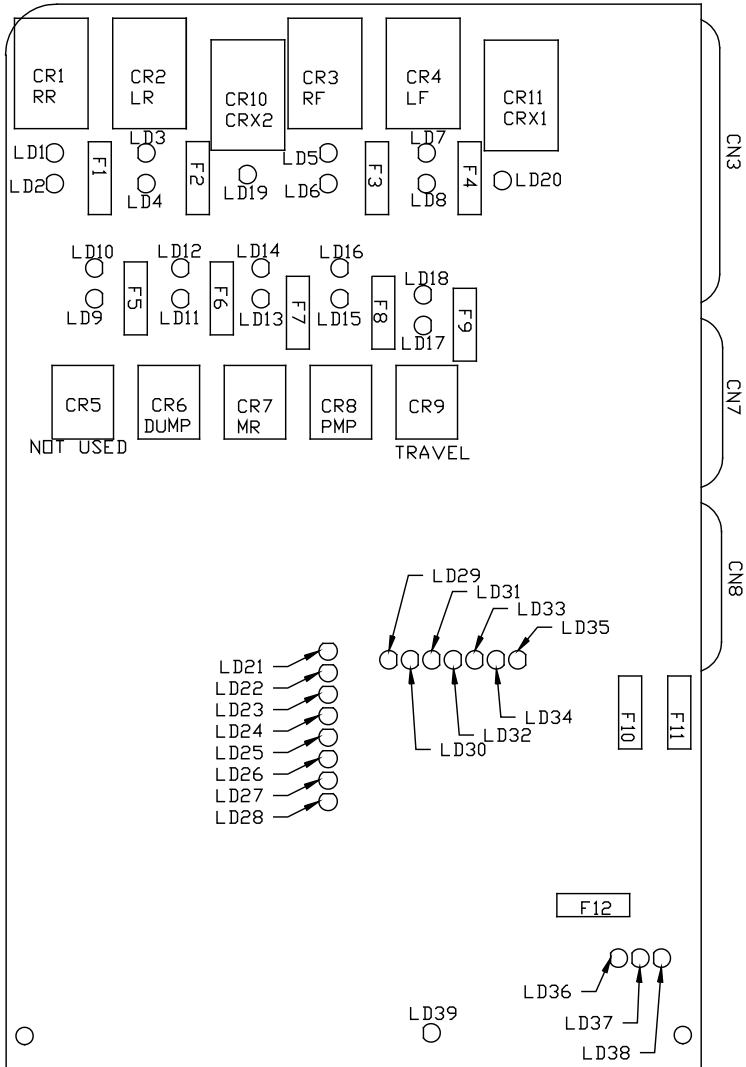
CN7 (BLACK)  
PIN  
1 N/C  
2 N/C  
3 N/C  
4 N/C  
5 N/C  
6 N/C  
7 BLK(W9000) PARK BRAKE  
8 N/C  
9 N/C  
10 N/C  
11 BLK(W7699) WARN/BUZZER CONTROL  
12 N/C

CN0 (GRAY)  
PIN  
1 BLK(W6800) SW BATT  
2 BLK(W6800) SW BATT  
3 WHT(W6230) GROUND  
4 WHT(W6230) GROUND

CN8 (BLACK)  
PIN  
1 N/C  
2 N/C  
3 RED(W6800) SW BATT  
4 WHT(W6230) GROUND  
5 CAN SHIELD  
6 RED(W6120) ACCESSORY  
7 GREEN  
8 YELLOW

CN6 (GRAY)  
PIN  
1 N/C  
2 N/C  
3 BLK(W1000) LF WARN SW  
4 BLK(W2000) RF WARN SW  
5 BLK(W1200) LF PRESS SW  
6 BLK(W2200) RF PRESS SW  
7 BLK(W3200) RR PRESS SW  
8 BLK(W4200) LR PRESS SW  
9 BLK(W3000) RR WARN SW  
10 BLK(W4000) LR WARN SW  
11 N/C  
12 WHT(W6235) GROUND

NOTE: WIRE NUMBERS ON THIS SHEET ARE REFERENCED TO HARNESS PLUGS.



| LED #  | COLOR  | DESCRIPTION            |
|--------|--------|------------------------|
| LED 1  | YELLOW | RR COIL                |
| LED 2  | RED    | RR CONTACT             |
| LED 3  | YELLOW | LR COIL                |
| LED 4  | RED    | LR CONTACT             |
| LED 5  | YELLOW | RF COIL                |
| LED 6  | RED    | RF CONTACT             |
| LED 7  | YELLOW | LF COIL                |
| LED 8  | RED    | LF CONTACT             |
| LED 9  | YELLOW | ---                    |
| LED 10 | RED    | ---                    |
| LED 11 | YELLOW | DUMP COIL              |
| LED 12 | RED    | DUMP CONTACT           |
| LED 13 | YELLOW | MASTER RELAY COIL      |
| LED 14 | RED    | MASTER RELAY CONTACT   |
| LED 15 | YELLOW | PUMP COIL              |
| LED 16 | RED    | PUMP CONTACT           |
| LED 17 | YELLOW | TRAVEL COIL            |
| LED 18 | RED    | TRAVEL CONTACT         |
| LED 19 | YELLOW | CRX 2                  |
| LED 20 | YELLOW | CRX 1                  |
| LED 21 | YELLOW | LF WARN SW             |
| LED 22 | YELLOW | RF WARN SW             |
| LED 23 | YELLOW | RR WARN SW             |
| LED 24 | YELLOW | LR WARN SW             |
| LED 25 | RED    | LF PRESS SW            |
| LED 26 | RED    | RF PRESS SW            |
| LED 27 | RED    | RR PRESS SW            |
| LED 28 | RED    | LR PRESS SW            |
| LED 29 | RED    | NOT USED               |
| LED 30 | YELLOW | NOT USED               |
| LED 31 | GREEN  | 3000 LB PSW INPUT      |
| LED 32 | RED    | MASTER WARNING CONTROL |
| LED 33 | GREEN  | 50 LB PSW INPUT        |
| LED 34 | RED    | JACK INTERRUPT         |
| LED 35 | RED    | PARK BRAKE             |
| LED 36 | RED    | BOARD ENABLED          |
| LED 37 | RED    | ACCESSORY IN           |
| LED 38 | RED    | ACCESSORY OUT          |
| LED 39 | RED    | LINK LIGHT             |

| FUSE | RATING   | DESCRIPTION      |
|------|----------|------------------|
| F1   | 15 AMP   | RR OUTPUT        |
| F2   | 15 AMP   | LR OUTPUT        |
| F3   | 15 AMP   | RF OUTPUT        |
| F4   | 15 AMP   | LF OUTPUT        |
| F5   | NOT USED | ---              |
| F6   | 5 AMP    | DUMP OUTPUT      |
| F7   | 5 AMP    | MASTER OUTPUT    |
| F8   | 5 AMP    | PUMP OUTPUT      |
| F9   | 5 AMP    | TRAVEL OUTPUT    |
| F10  | 7.5 AMP  | ACC INPUT        |
| F11  | 3 AMP    | WARN LITE SUPPLY |
| F12  | 10 AMP   | ACC OUTPUT       |