

AP28897 CN1<BLACK>  
PIN  
1 N/C  
2 N/C  
3 RED<W6800> SW BATT  
4 WHT<W6230> GROUND  
5 CAN SHIELD  
6 N/C  
7 GRN CAN LOW  
8 YEL CAN HI

AP28897 CN10<GRAY>  
PIN  
1 BLK<W7599> SWITCH LIGHT CONTROL  
2 RED<W6100> RESET SW  
3 BLK<W7550> RESET IN  
4 RED<W6121> WARN LIGHT SUPPLY  
5 WHT<W6230> SWITCH LIGHT SUPPLY  
6 BLK<W7699> WARN LIGHT/BUZZER CONTROL

AP28897 CN11<GRAY>  
PIN  
1 RED<W6110> IGNITION  
2 N/C  
3 N/C  
4 N/C  
5 RED<W6120> ACCESSORY  
6 RED<W6100> HOUSE BATTERY  
7 WHT<W6230> GROUND  
8 N/C  
9 N/C  
10 N/C  
11 BLK<W9000> PARK BRAKE SWITCH  
12 RED<W6101> ENGINE BATTERY

AP28897 CN9<GREEN>  
PIN  
1 BLK<W8500> MASTER RELAY CONTROL  
2 BLK<W8100> SYSTEM PSW  
3 N/C  
4 BLK<W8600> PUMP RELAY CONTROL  
5 BLK<W9900> SPEED SWITCH  
6 BLK<W9901> PUMP MONITOR  
7 N/C  
8 N/C

AP27607<BROWN>  
PIN  
1 N/C  
2 BLK<W1500> LEFT FRONT RAISE  
3 BLK<W1600> LEFT FRONT LOWER  
4 BLK<W2500> RIGHT FRONT RAISE  
5 BLK<W2600> RIGHT FRONT LOWER  
6 BLK<W9700> COMPRESSOR  
7 N/C  
8 BLK<W1700> FRONT TRAVEL  
9 N/C  
10 N/C  
11 WHT<W6254> GROUND  
12 N/C

AP27607<GRAY>  
PIN  
1 BLK<W6800> SW BATT  
2 BLK<W6800> SW BATT  
3 WHT<W6230> GND  
4 WHT<W6230> GND

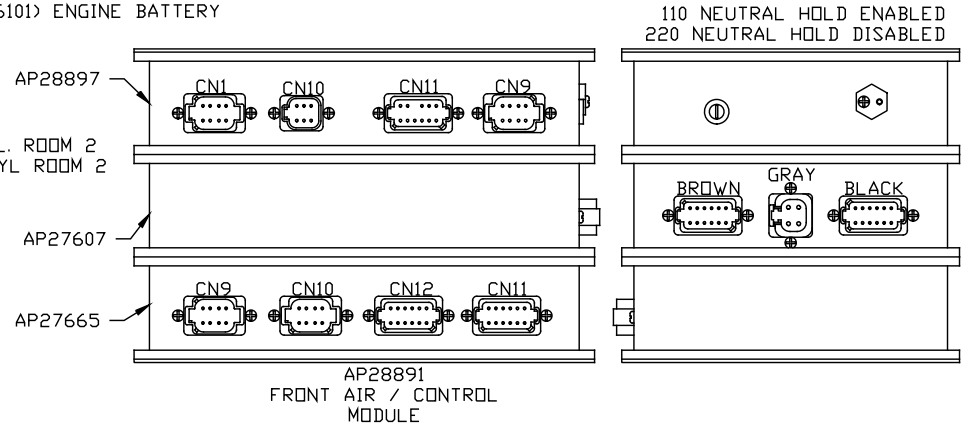
AP27607<BLACK>  
PIN  
1 N/C  
2 N/C  
3 BLK<W5150> EXTEND CYL. ROOM 2  
4 BLK<W5050> RETRACT CYL ROOM 2  
5 N/C  
6 N/C  
7 N/C  
8 N/C  
9 N/C  
10 N/C  
11 N/C  
12 N/C

AP27665 CN9<BLACK>  
PIN  
1 BLK<W7696> SYSTEM WAKE UP  
2 N/C  
3 RED<W6800> SW BATT  
4 WHT<W6230> GROUND  
5 CAN SHIELD  
6 RED<W6110> IGNITION  
7 GRN CAN LOW  
8 YEL CAN HI

AP27665 CN10<GRAY>  
PIN  
1 N/C  
2 N/C  
3 N/C  
4 N/C  
5 N/C  
6 N/C  
7 N/C  
8 N/C

AP27665 CN12<GRAY>  
PIN  
1 N/C  
2 N/C  
3 N/C  
4 N/C  
5 N/C  
6 WHT<W6236> GROUND  
7 BLK<W6800> SW BATT  
8 N/C  
9 N/C  
10 BLK<W2210> RIGHT FRONT AIR PSW  
11 BLK<W7521> TAG LIFT SW  
12 N/C

AP27665 CN11<GREEN>  
PIN  
1 N/C  
2 N/C  
3 N/C  
4 N/C  
5 N/C  
6 WHT<W6235> GROUND  
7 N/C  
8 N/C  
9 N/C  
10 BLK<W1210> LEFT FRONT AIR PSW  
11 N/C  
12 N/C



4	05FEB08	ADDED NOTE, WAS A/P
△	14FEB07	CHG ROOM/PIN#'S SH A,E,M
2	21DEC05	UPDATED ROOM #'S, LED'S
1	23SEP05	ADDED 'P' SHEET
NO.	DATE	REVISION

HWH I-80 EXIT 267 SOUTH  
RT 1 MOSCOW, IOWA 52760  
SCALE 1:3 DATE 05JAN05 DRAWN BY .

SYSTEM SCHEMATIC ELEC

NOTE: INSTALLATION MUST CONFORM TO GOOD SHOP PRACTICES, SAE STANDARDS, RVIA STANDARDS, AND OTHER APPLICABLE STANDARDS.

THE INFORMATION DISCLOSED ON THIS DRAWING IS CONFIDENTIAL AND MUST NOT BE DISCLOSED OR USED IN ANY MANNER WHICH WILL BE DETRIMENTAL TO THE HWH CORPORATION

DRAWING NUMBER  
MP89401 A/M

AP26117 (BROWN)  
PIN

- 1 BLK(W3800) TAG LIFT
- 2 BLK(W4500) LEFT REAR RAISE
- 3 BLK(W4600) LEFT REAR LOWER
- 4 BLK(W3500) RIGHT REAR RAISE
- 5 BLK(W3600) RIGHT REAR LOWER
- 6 N/C
- 7 BLK(W3701) TAG TRAVEL
- 8 BLK(W3700) REAR TRAVEL
- 9 BLK(W3601) TAG RIGHT DUMP
- 10 BLK(W4601) TAG LEFT DUMP
- 11 WHT (W6258) GROUND
- 12 N/C

AP26116 CN9(BLACK)  
PIN

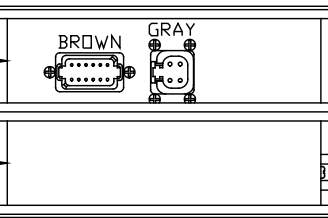
- 1 BLK(W7696) SYSTEM WAKE UP
- 2 N/C
- 3 RED(W6800) SW BATTERY
- 4 WHT(W6230) GROUND
- 5 CAN SHIELD
- 6 RED(W6110) IGNITION
- 7 GRN CAN LOW
- 8 YEL CAN HI

AP26117 (GRAY)  
PIN

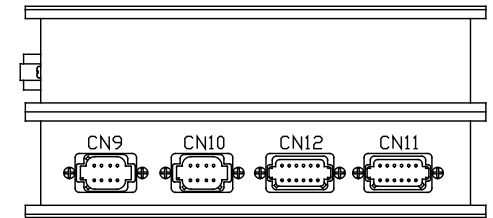
- 1 BLK(W6800) SW BATT
- 2 BLK(W6800) SW BATT
- 3 WHT(W6230) GROUND
- 4 WHT(W6230) GROUND

AP26116 CN10(GRAY)  
PIN

- 1 N/C
- 2 BLK(W7510) READY TO OPERATE
- 3 BLK(W7530) PUMP
- 4 BKK(W7501) ROOM 1 EXTEND
- 5 BLK(W7502) ROOM 1 RETRACT
- 6 RED(W6805) SW. BATT
- 7 BLK(W7696) SYS WAKE UP
- 8 WHT(W6230) GROUND



AP27623  
REAR AIR / ROOM 1  
MODULE

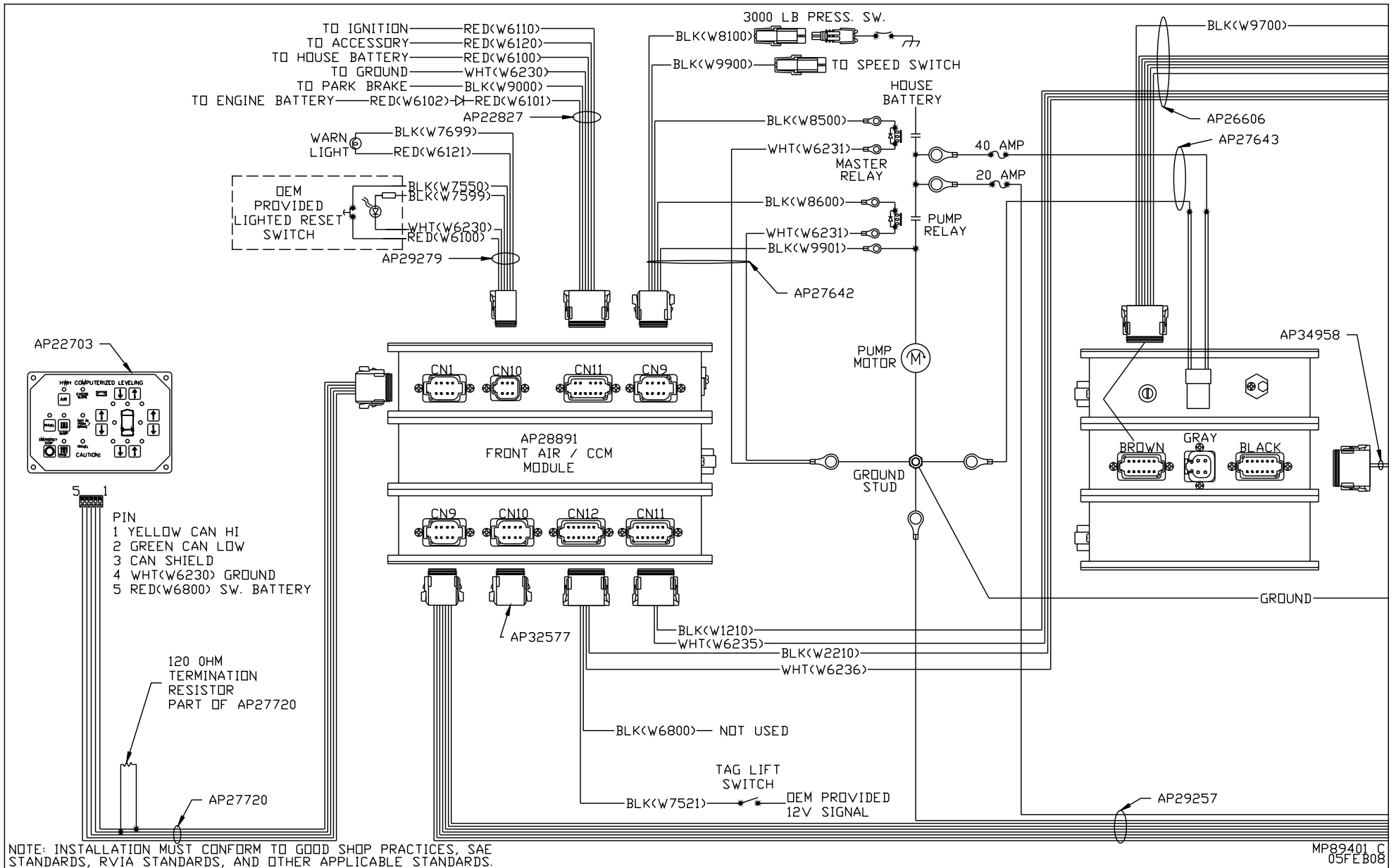


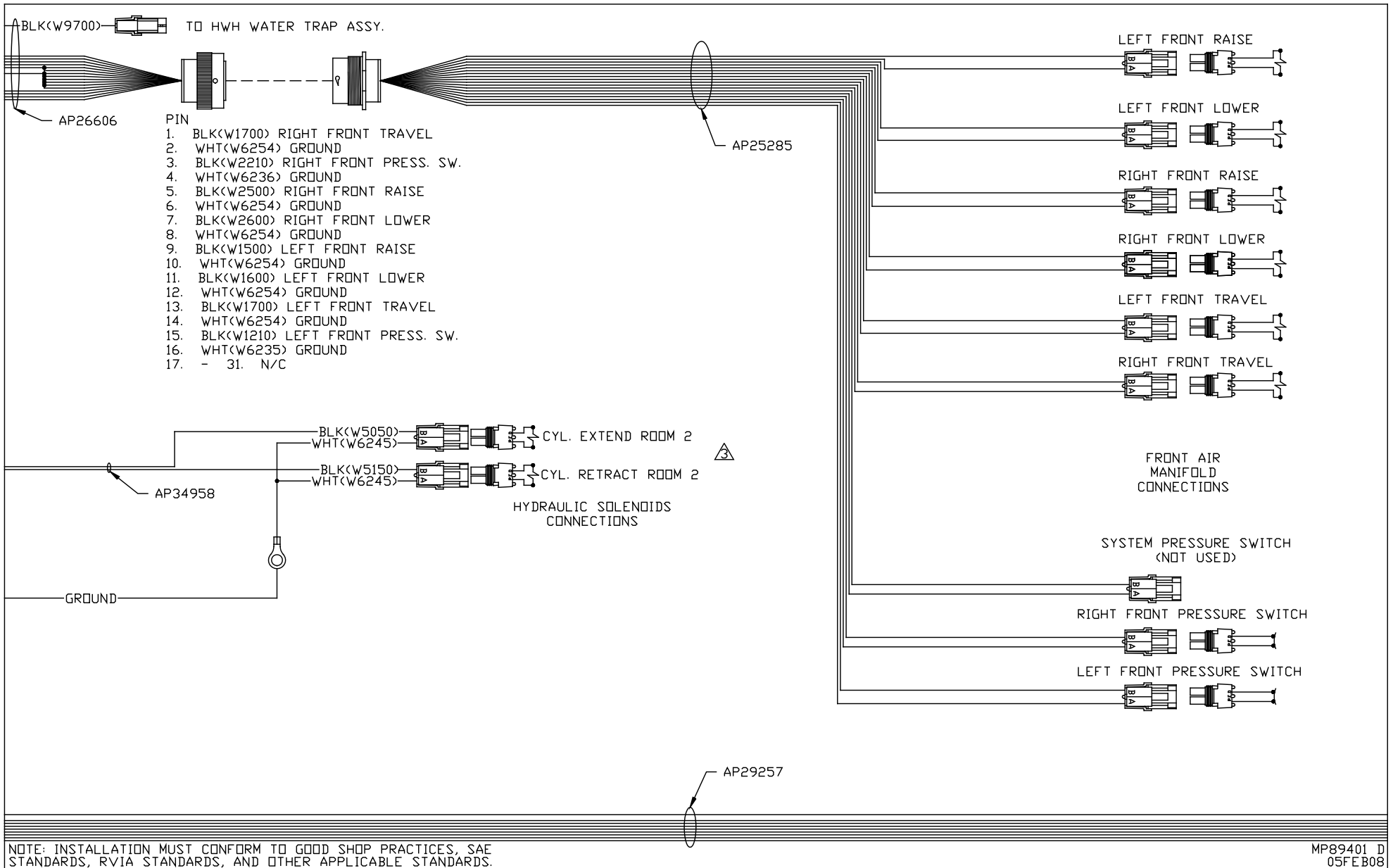
AP26116 CN12(GRAY)  
PIN

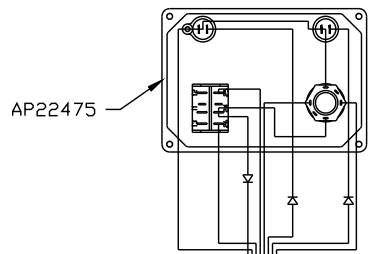
- 1 BLK(W4211) LEFT REAR TAG PRESS. SW.
- 2 BLK(W3211) RIGHT REAR TAG PRESS. SW.
- 3 BLK(W3215) SYSTEM PRESS. SW.
- 4 N/C
- 5 N/C
- 6 WHT(W6231) GROUND
- 7 N/C
- 8 N/C
- 9 N/C
- 10 N/C
- 11 N/C
- 12 N/C

AP26116 CN11(GREEN)  
PIN

- 1 N/C
- 2 BLK(W4210) LEFT REAR PRESS. SW.
- 3 BLK(W3210) RIGHT REAR PRESS. SW.
- 4 N/C
- 5 N/C
- 6 WHT(W6232) GROUND
- 7 N/C
- 8 N/C
- 9 N/C
- 10 N/C
- 11 N/C
- 12 N/C

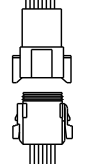




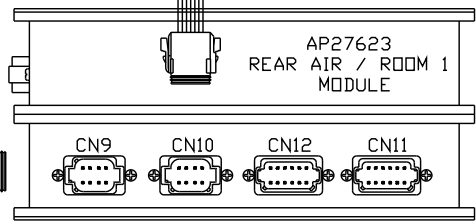


AP22475

- AP29274/AP22475  
PIN
- 1 N/C
  - 2 BLK(W7510) READY TO OPERATE
  - 3 BLK(W7530) PUMP
  - 4 BLK(W7501) ROOM EXTEND
  - 5 BLK(W7502) ROOM RETRACT
  - 6 RED(W6805) SW BATTERY
  - 7 BLK(W7631) SYSTEM WAKE UP
  - 8 WHT(W6230) GROUND

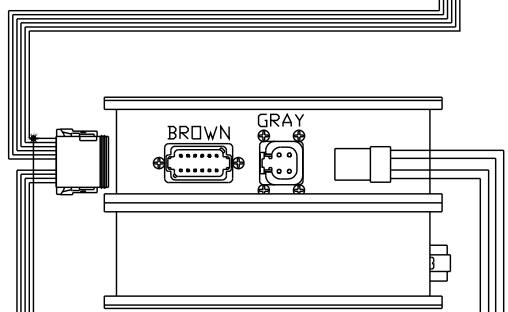


AP25881

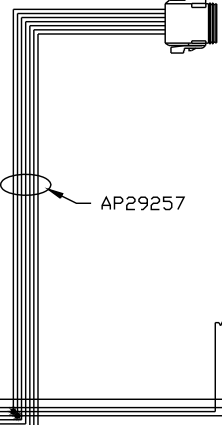


AP27623  
REAR AIR / ROOM 1  
MODULE

CN9 CN10 CN12 CN11

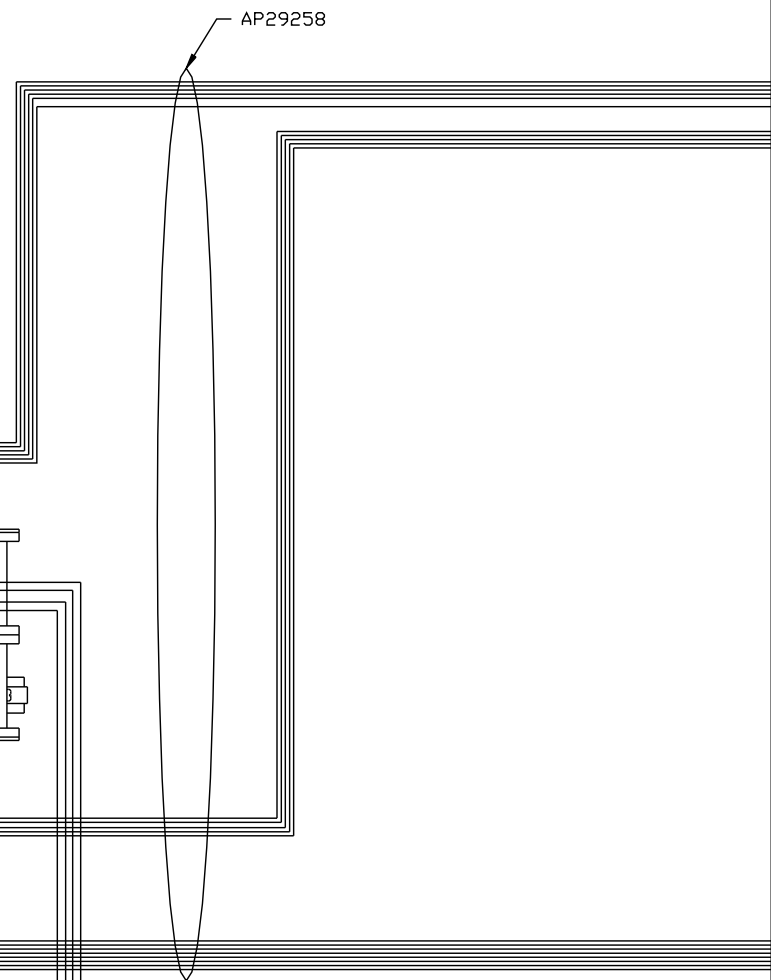


BROWN GRAY



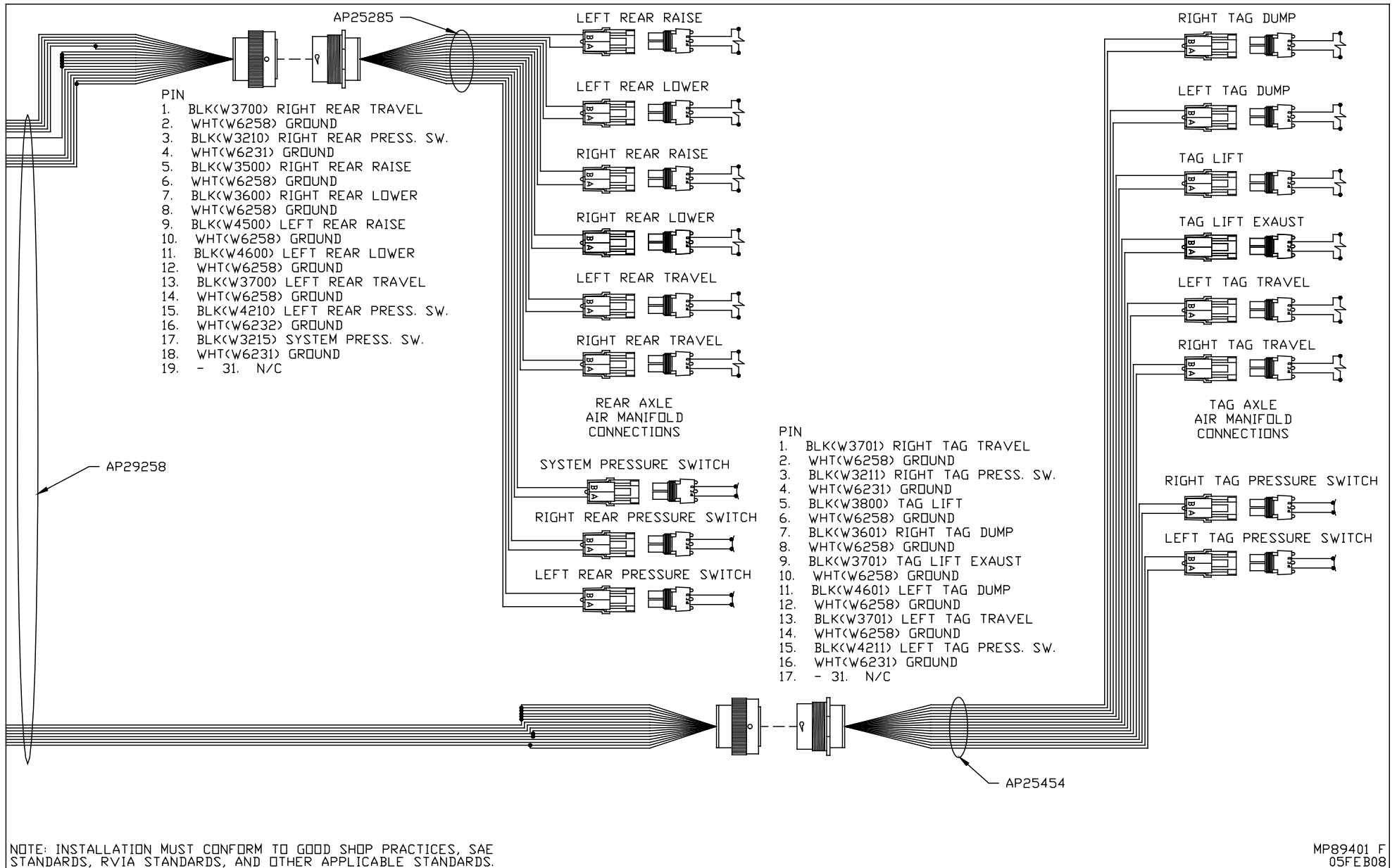
AP29257

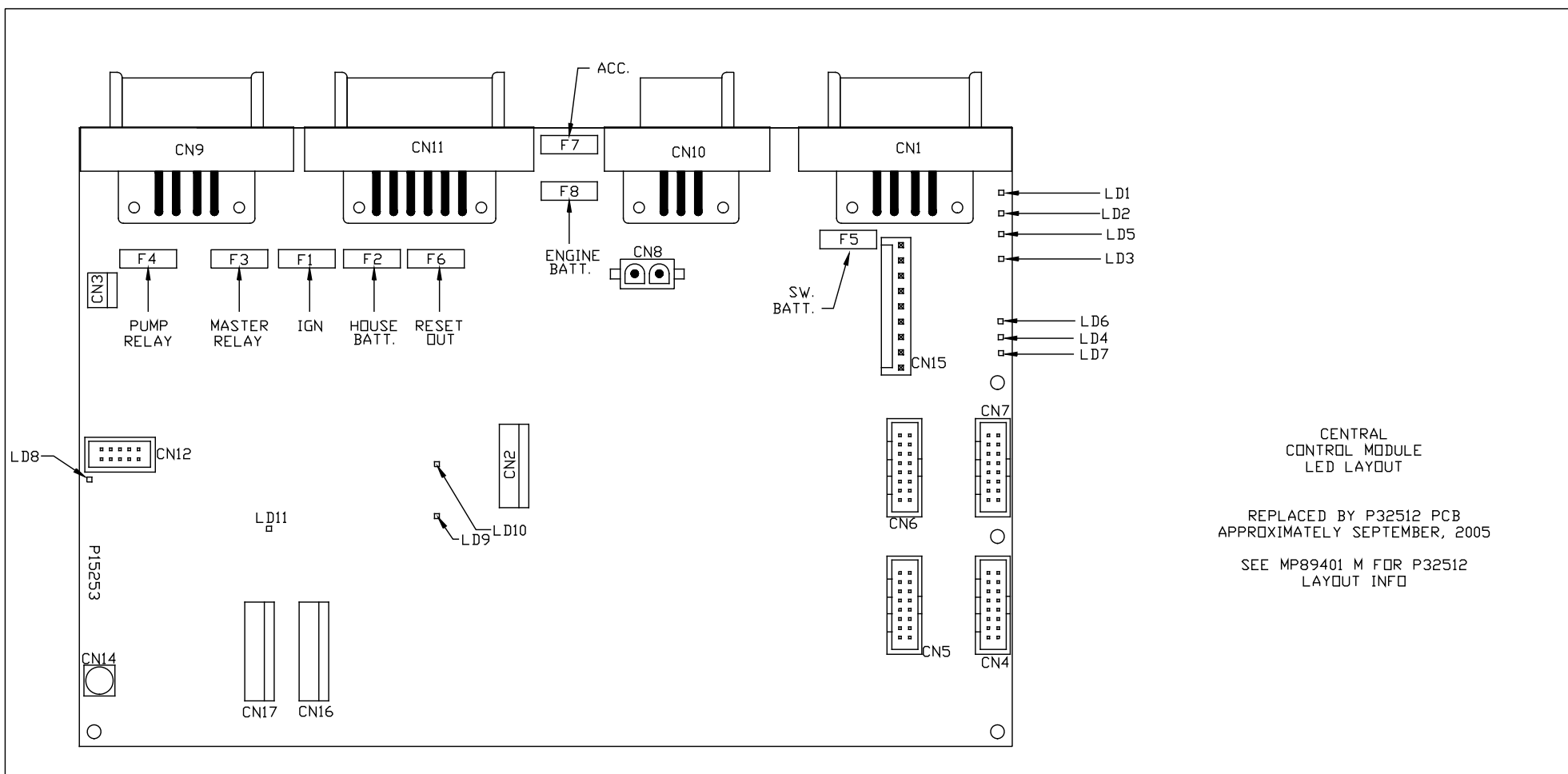
120 OHM  
TERMINATION  
RESISTOR  
PART OF AP29257



AP29258

NOTE: INSTALLATION MUST CONFORM TO GOOD SHOP PRACTICES, SAE STANDARDS, RVIA STANDARDS, AND OTHER APPLICABLE STANDARDS.





CENTRAL  
CONTROL MODULE  
LED LAYOUT

REPLACED BY P32512 PCB  
APPROXIMATELY SEPTEMBER, 2005

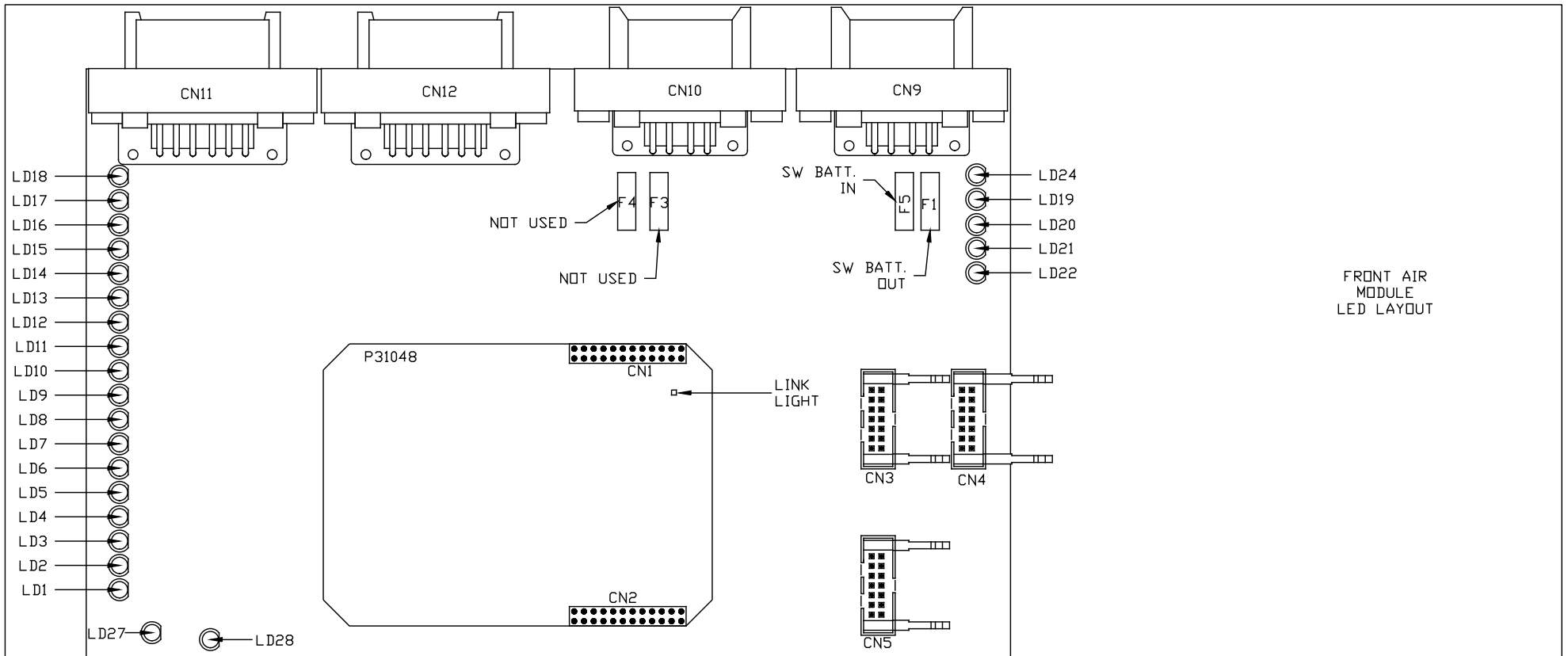
SEE MP89401 M FOR P32512  
LAYOUT INFO

LED #	CONNECTOR	COLOR	DESCRIPTION
LED 1	CN 9 PIN 1	RED	MASTER RELAY
LED 2	CN 9 PIN 4	RED	PUMP RELAY
LED 3	CN 1 PIN 3	RED	SW 12V
LED 4	CN 11 PIN 12	RED	ENGINE BATT
LED 5	CN 9 PIN 5	RED	SPEED SWITCH
LED 6	NOT USED	NOT USED	NOT USED

LED #	CONNECTOR	COLOR	DESCRIPTION
LED 7	CN 1 PIN 7 & 8	RED	LINK LIGHT
LED 8	NOT USED	NOT USED	NOT USED
LED 9	NOT USED	NOT USED	NOT USED
LED 10	CN9 PIN 2	RED	3000 LBS. PSW
LED 11	CN11 PIN 11	RED	PARK BRAKE

NOTE: INSTALLATION MUST CONFORM TO GOOD SHOP PRACTICES, SAE STANDARDS, RVIA STANDARDS, AND OTHER APPLICABLE STANDARDS.

MP89401 G  
05FEB08



FRONT AIR  
MODULE  
LED LAYOUT

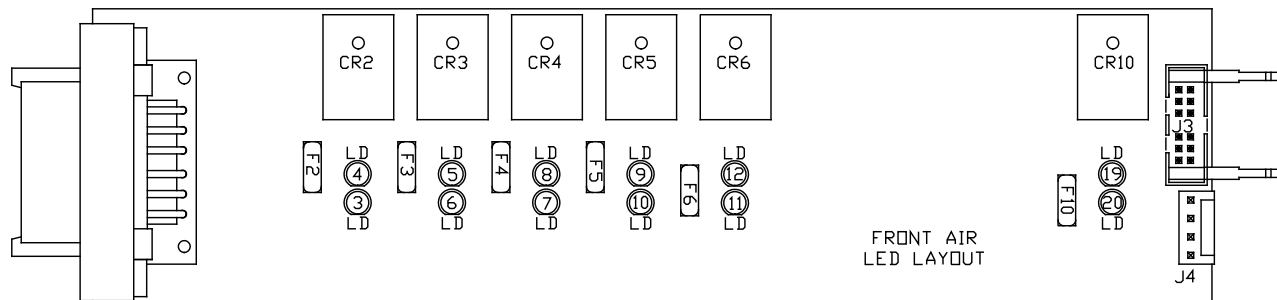
LED #	CONNECTOR	COLOR	DESCRIPTION
LED 1	NOT USED	RED	NOT USED
LED 2	NOT USED	RED	NOT USED
LED 3	NOT USED	GREEN	NOT USED
LED 4	NOT USED	YELLOW	NOT USED
LED 5	NOT USED	YELLOW	NOT USED
LED 6	NOT USED	YELLOW	NOT USED
LED 7	NOT USED	GREEN	NOT USED
LED 8	NOT USED	GREEN	NOT USED
LED 9	CN11 PIN 10	GREEN	LEFT FRONT PSW
LED 10	CN12 PIN 10	GREEN	RIGHT FRONT PSW

LED #	CONNECTOR	COLOR	DESCRIPTION
LED 11	NOT USED	YELLOW	NOT USED
LED 12	NOT USED	YELLOW	NOT USED
LED 13	NOT USED	YELLOW	NOT USED
LED 14	NOT USED	YELLOW	NOT USED
LED 15	NOT USED	GREEN	NOT USED
LED 16	NOT USED	GREEN	NOT USED
LED 17	NOT USED	GREEN	NOT USED
LED 18	NOT USED	GREEN	NOT USED
LED 19	CN11/CN12 PIN 7	RED	12V OUTPUT
LED 20	CN9 PIN 3	RED	SW BATT
LED 21	NOT USED	RED	NOT USED
LED 22	NOT USED	RED	NOT USED
LED 24	NOT USED	RED	NOT USED
LED 27	NOT USED	RED	NOT USED
LED 28	CN 12 PIN 11	RED	TAG LIFT SWITCH

NOTE: INSTALLATION MUST CONFORM TO GOOD SHOP PRACTICES, SAE STANDARDS, RVIA STANDARDS, AND OTHER APPLICABLE STANDARDS.

MP89401 H  
05FEB08

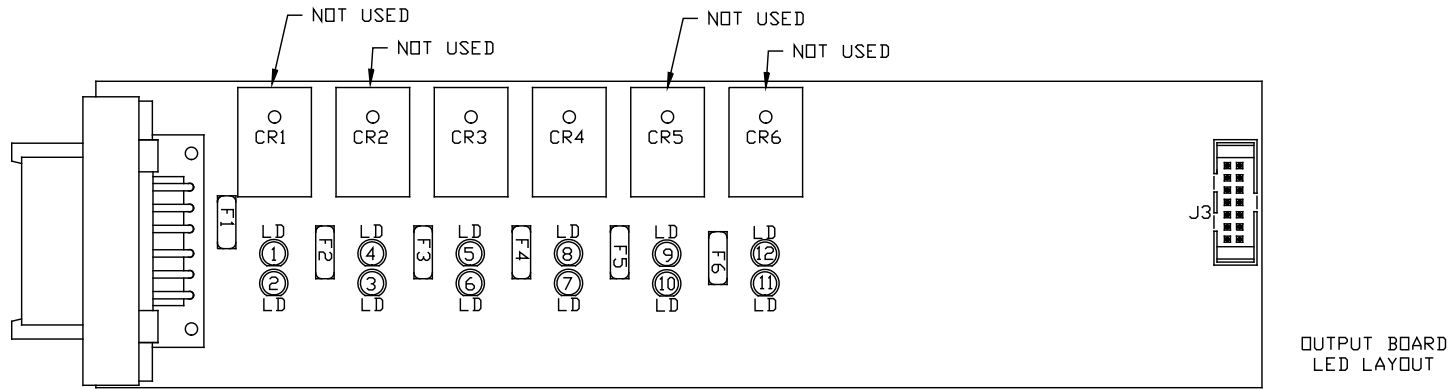




LED #	COLOR	INPUT J3	FUSE #	OUTPUT	RELAY #	DESCRIPTION
LED3	RED	---	FUSE 2	PIN 2	CR2	LEFT FRONT RAISE (CONTACT)
LED4	YELLOW	PIN 12	---	---	CR2	LEFT FRONT RAISE (COIL)
LED5	YELLOW	PIN 11	---	---	CR3	LEFT FRONT LOWER (COIL)
LED6	RED	---	FUSE 3	PIN 3	CR3	LEFT FRONT LOWER (CONTACT)
LED7	RED	---	FUSE 4	PIN 4	CR4	RIGHT FRONT RAISE (CONTACT)
LED8	YELLOW	PIN 10	---	---	CR4	RIGHT FRONT RAISE (COIL)
LED9	YELLOW	PIN 9	---	---	CR5	RIGHT FRONT LOWER (COIL)
LED10	RED	---	FUSE 5	PIN 5	CR5	RIGHT FRONT LOWER (CONTACT)
LED11	RED	---	FUSE 6	PIN 6	CR6	COMPRESSOR (CONTACT)
LED12	YELLOW	PIN 8	---	---	CR6	COMPRESSOR (COIL)
LED19	YELLOW	PIN 4	---	---	CR10	TRAVEL (COIL)
LED20	RED	---	FUSE 10	PIN 8	CR10	TRAVEL (CONTACT)

NOTE: INSTALLATION MUST CONFORM TO GOOD SHOP PRACTICES, SAE STANDARDS, RVIA STANDARDS, AND OTHER APPLICABLE STANDARDS.

MP89401 I  
05FEB08

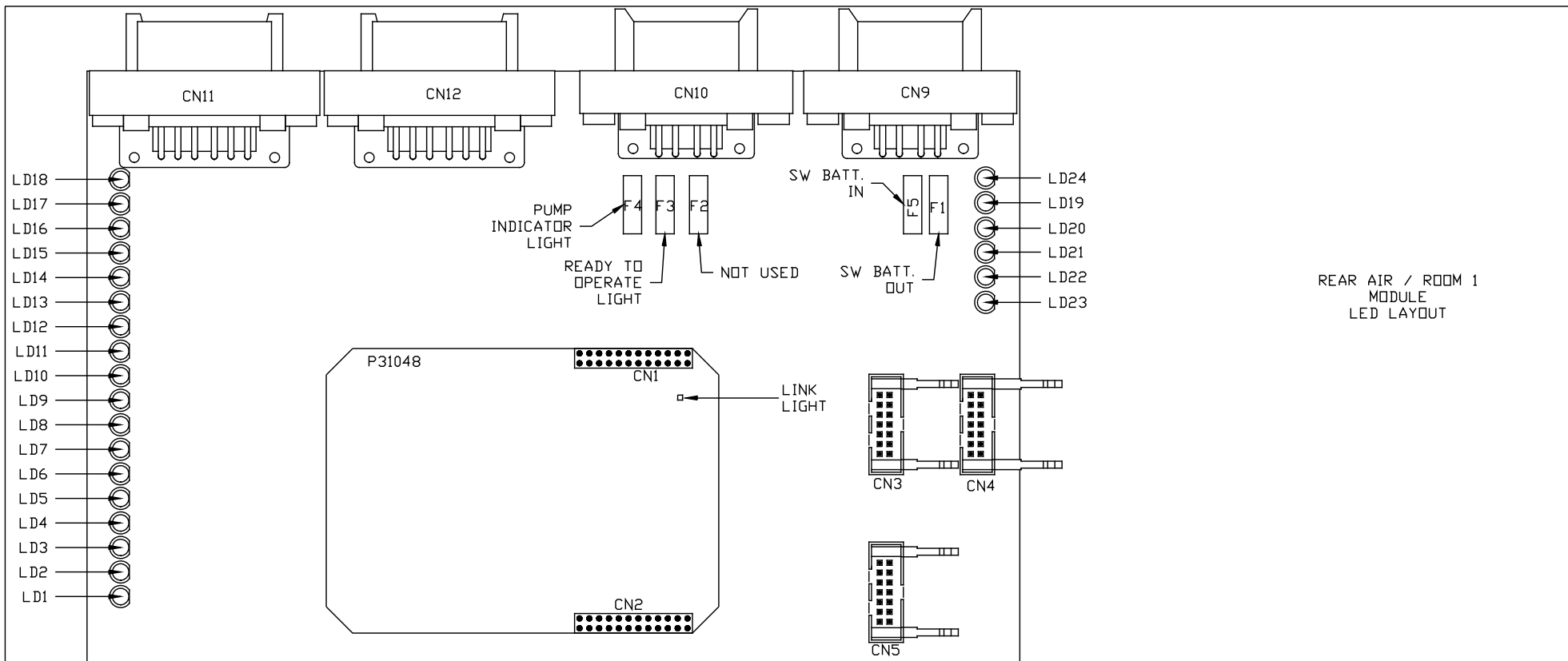


LED #	COLOR	INPUT J3	FUSE #	OUTPUT	RELAY #	DESCRIPTION
LED5	YELLOW	PIN 11	---	---	CR3	CYL EXTEND 2 (COIL)
LED6	RED	---	FUSE 3	PIN 3	CR3	CYL EXTEND 2 (CONTACT)
LED7	RED	---	FUSE 4	PIN 4	CR4	CYL RETRACT 2 (CONTACT)
LED8	YELLOW	PIN 10	---	---	CR4	CYL RETRACT 2 (COIL)



NOTE: INSTALLATION MUST CONFORM TO GOOD SHOP PRACTICES, SAE STANDARDS, RVIA STANDARDS, AND OTHER APPLICABLE STANDARDS.

MP89401 J  
05FE.B08

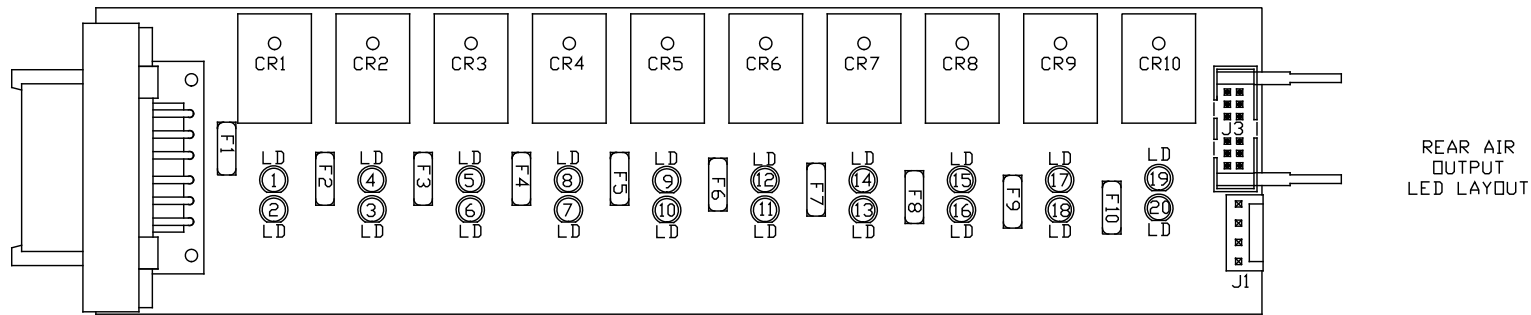


LED #	CONNECTOR	COLOR	DESCRIPTION
LED 1	CN10 PIN 4	RED	EXTEND
LED 2	CN10 PIN 5	RED	RETRACT
LED 3	NOT USED	GREEN	NOT USED
LED 4	NOT USED	YELLOW	NOT USED
LED 5	CN11 PIN 2	YELLOW	LEFT REAR PRESS SW.
LED 6	CN12 PIN 2	YELLOW	RIGHT REAR TAG PRESS SW.
LED 7	CN11 PIN 3	GREEN	RIGHT REAR PRESS SW.
LED 8	CN12 PIN 3	GREEN	SYSTEM PRESS SW.
LED 9	NOT USED	GREEN	NOT USED

LED #	CONNECTOR	COLOR	DESCRIPTION
LED 10	NOT USED	GREEN	NOT USED
LED 11	NOT USED	YELLOW	NOT USED
LED 12	CN12 PIN 1	YELLOW	LEFT REAR TAG PRESS SW.
LED 13	NOT USED	YELLOW	NOT USED
LED 14	NOT USED	YELLOW	NOT USED
LED 15	NOT USED	GREEN	NOT USED
LED 16	NOT USED	GREEN	NOT USED
LED 17	NOT USED	GREEN	NOT USED
LED 18	NOT USED	GREEN	NOT USED
LED 19	CN11/CN12 PIN 7	RED	12V OUTPUT
LED 20	CN9 PIN 3	RED	SW BATT
LED 21	CN10 PIN 3	RED	PUMP INDICATOR
LED 22	CN10 PIN 2	RED	READY TO OPERATE
LED 23	NOT USED	RED	NOT USED
LED 24	CN10 PIN 7	RED	SYSTEM WAKE UP

NOTE: INSTALLATION MUST CONFORM TO GOOD SHOP PRACTICES, SAE STANDARDS, RVIA STANDARDS, AND OTHER APPLICABLE STANDARDS.

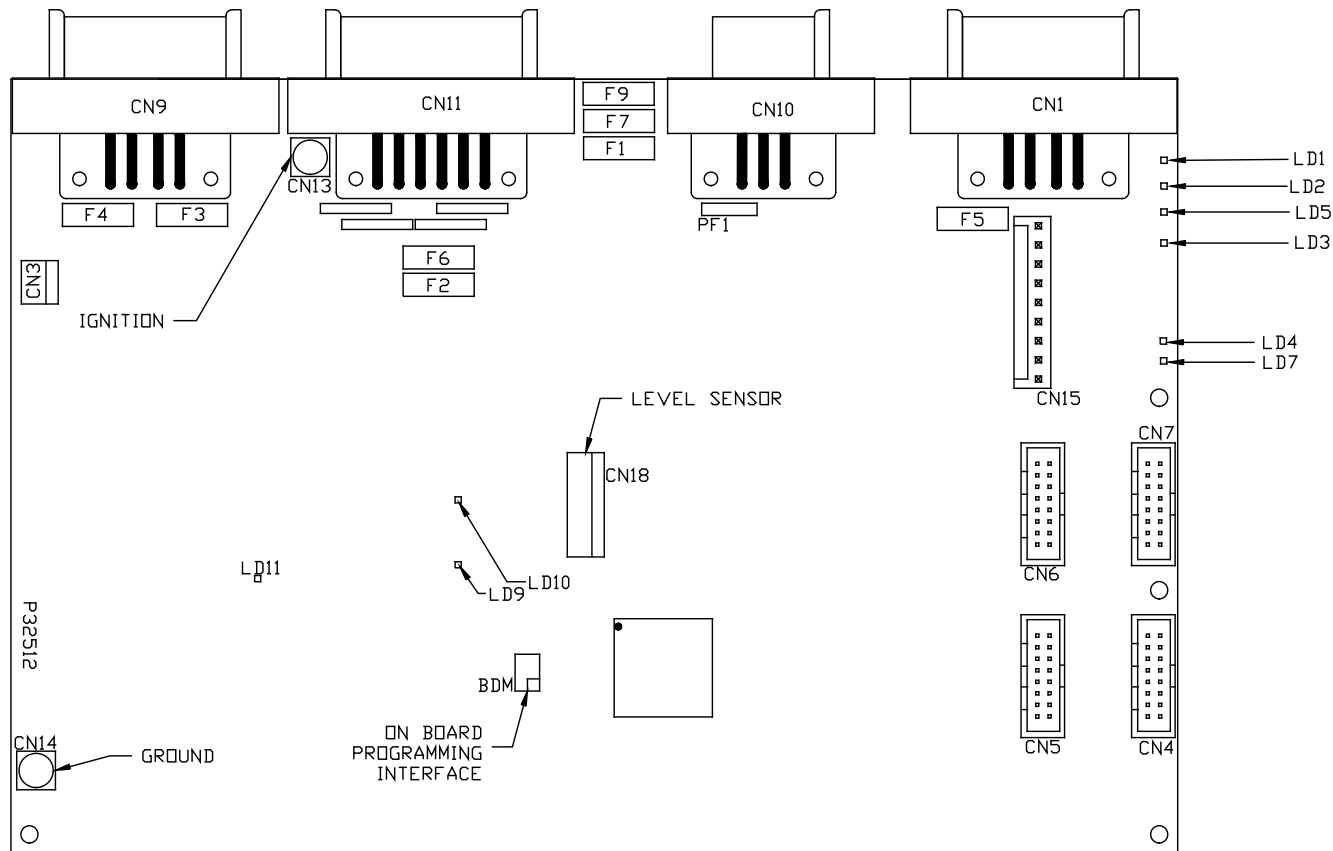
MP89401 K  
05FEB08



LED #	COLOR	INPUT J3	FUSE #	OUTPUT	RELAY #	DESCRIPTION
LED1	YELLOW	PIN 13	---	---	CR1	TAG LIFT <COIL>
LED2	RED	---	FUSE 1	PIN 1	CR1	TAG LIFT <CONTACT>
LED3	RED	---	FUSE 2	PIN 2	CR2	LEFT REAR RAISE <CONTACT>
LED4	YELLOW	PIN 12	---	---	CR2	LEFT REAR RAISE <COIL>
LED5	YELLOW	PIN 11	---	---	CR3	LEFT REAR LOWER <COIL>
LED6	RED	---	FUSE 3	PIN 3	CR3	LEFT REAR LOWER <CONTACT>
LED7	RED	---	FUSE 4	PIN 4	CR4	RIGHT REAR RAISE <CONTACT>
LED8	YELLOW	PIN 10	---	---	CR4	RIGHT REAR RAISE <COIL>
LED9	YELLOW	PIN 9	---	---	CR5	RIGHT REAR LOWER <COIL>
LED10	RED	---	FUSE 5	PIN 5	CR5	RIGHT REAR LOWER<CONTACT>
LED11	RED	---	FUSE 6	PIN 6	CR6	NOT USED
LED12	YELLOW	PIN 8	---	---	CR6	NOT USED
LED13	RED	---	FUSE 7	PIN 10	CR7	TAG LEFT REAR LOWER <CONTACT>
LED14	YELLOW	PIN 7	---	---	CR7	TAG LEFT REAR LOWER <COIL>
LED15	YELLOW	PIN 6	---	---	CR8	TAG RIGHT REAR LOWER <COIL>
LED16	RED	---	FUSE 8	PIN 9	CR8	TAG RIGHT REAR LOWER <CONTACT>
LED17	YELLOW	PIN 5	---	---	CR9	TAG TRAVEL <COIL>
LED18	RED	---	FUSE 9	PIN 7	CR9	TAG TRAVEL <CONTACT>
LED19	YELLOW	PIN 4	---	---	CR10	TRAVEL <COIL>
LED20	RED	---	FUSE 10	PIN 8	CR10	TRAVEL <CONTACT>

NOTE: INSTALLATION MUST CONFORM TO GOOD SHOP PRACTICES, SAE STANDARDS, RVIA STANDARDS, AND OTHER APPLICABLE STANDARDS.

MP89401 L  
05FE.B08



CENTRAL  
CONTROL MODULE  
LED LAYOUT  
EFFECTIVE APPROXIMATELY  
SEPTEMBER, 2005

LED #	CONNECTOR	COLOR	DESCRIPTION
LED 1	CN 9 PIN 1	RED	MASTER RELAY
LED 2	CN 9 PIN 4	RED	PUMP RELAY
LED 3	CN 1 PIN 3	RED	SW 12V
LED 4	CN 11 PIN 12	RED	ENGINE BATT
LED 5	CN 9 PIN 5	RED	SPEED SWITCH
LED 7	CN 1 PIN 7 & 8	RED	LINK LIGHT
LED 8	NOT USED	RED	NOT USED
LED 9	NOT USED	RED	NOT USED
LED 10	CN9 PIN 2	RED	3000 LBS. PSW
LED 11	CN11 PIN 11	RED	PARK BRAKE

FUSE #	DESCRIPTION
PF1	RESET OUT
F7	ACCESSORY
F1	IGNITION
F2	HOUSE BATTERY
F3	MASTER RELAY
F4	PUMP RELAY
F5	SW. BATT TO CAN MODULES
F6	ENGINE BATTERY
F9	NOT USED

NOTE: INSTALLATION MUST CONFORM TO GOOD SHOP PRACTICES, SAE STANDARDS, RVIA STANDARDS, AND OTHER APPLICABLE STANDARDS.

MP89401 M  
05FEB08