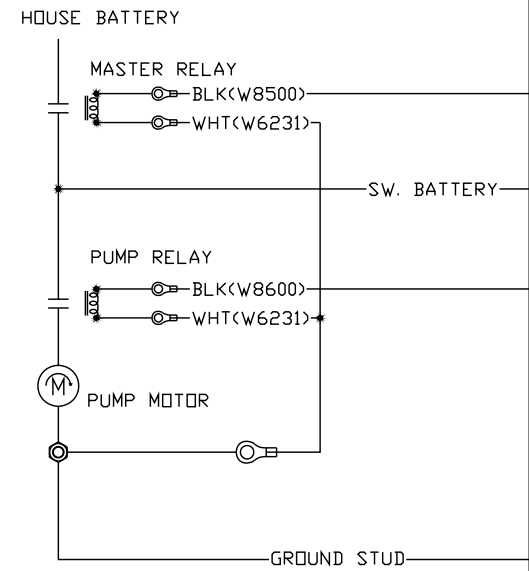
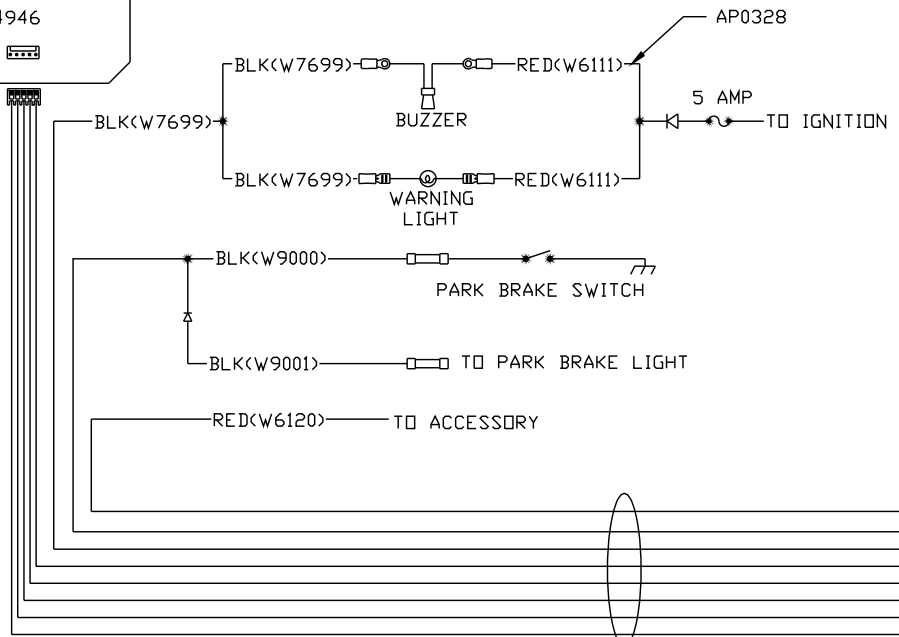


- PIN
1. YELLOW CAN HIGH
  2. GREEN CAN LOW
  3. CAN SHIELD
  4. WHT(W6230) GROUND
  5. RED(W6800) SW. BATTERY



- RED(W6120)
- BLK(W9000)
- BLK(W7699)
- YELLOW
- GREEN
- SHIELD
- WHITE(W6230)
- RED(W6800)

AP33250

| 1   | 28NOV07 | ADDED NOTE, WAS A/E |
|-----|---------|---------------------|
| NO. | DATE    | REVISION            |

**HWH** I-80 EXIT 267 SOUTH  
RT 1 MOSCOW, IOWA 52760

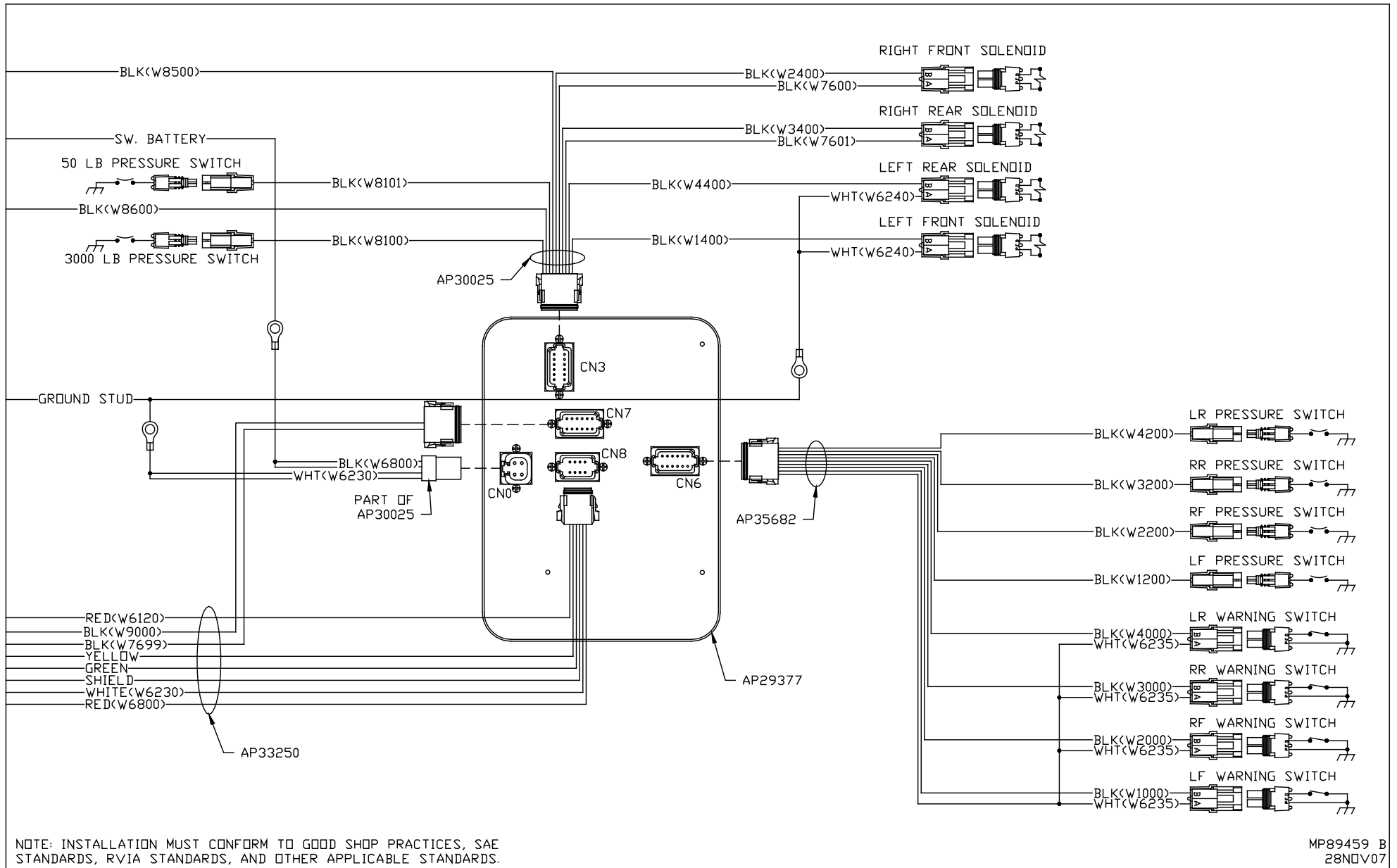
SCALE 1:3 DATE 26APR05 DRAWN BY .

**SYSTEM SCHEMATIC ELEC**

NOTE: INSTALLATION MUST CONFORM TO GOOD SHOP PRACTICES, SAE STANDARDS, RVIA STANDARDS, AND OTHER APPLICABLE STANDARDS.

THE INFORMATION DISCLOSED ON THIS DRAWING IS CONFIDENTIAL AND MUST NOT BE DISCLOSED OR USED IN ANY MANNER WHICH WILL BE DETRIMENTAL TO THE HWH CORPORATION

DRAWING NUMBER  
MP89459 A/D

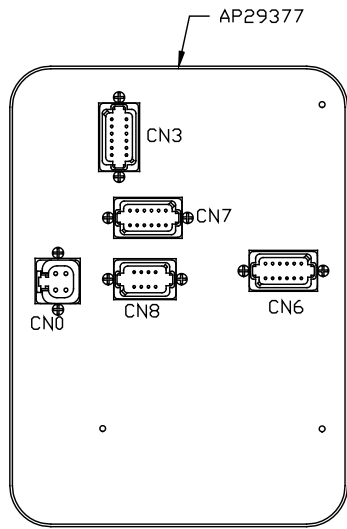


NOTE: INSTALLATION MUST CONFORM TO GOOD SHOP PRACTICES, SAE STANDARDS, RVIA STANDARDS, AND OTHER APPLICABLE STANDARDS.

MP89459 B  
28NOV07

NOTE: WIRE NUMBERS ON THIS PAGE REFER TO HARNESS PLUGS.

- CN3 (BROWN)  
PIN
- 1 BLK(W8500) MASTER RELAY CONTROL
  - 2 BLK(W8100) 3000 LB PRESS SW
  - 3 BLK(W8101) 50 LB PRESS SW
  - 4 N/C
  - 5 BLK(W1400) LF SOLENOID
  - 6 BLK(W7600) CRX 1
  - 7 BLK(W7601) CRX 2
  - 8 BLK(W4400) LR SOLENOID
  - 9 BLK(W3400) RR SOLENOID
  - 10 BLK(W2400) RF SOLENOID
  - 11 N/C
  - 12 BLK(W8600) PUMP RELAY CONTROL

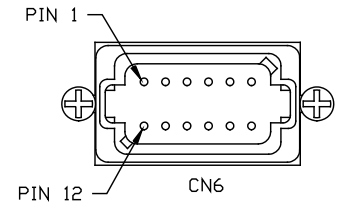
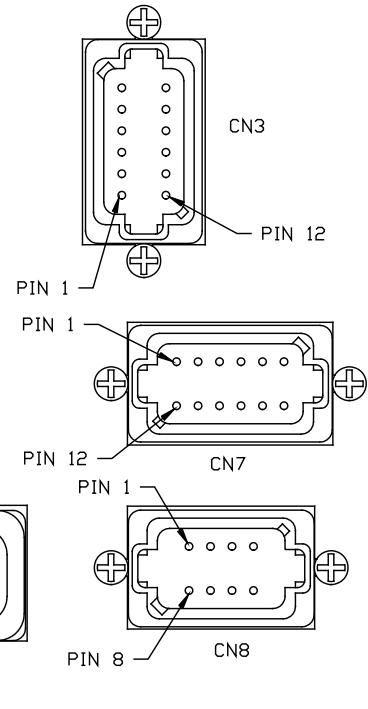


- CN7 (BLACK)  
PIN
- 1 N/C
  - 2 N/C
  - 3 N/C
  - 4 N/C
  - 5 N/C
  - 6 N/C
  - 7 BLK(W9000) PARK BRAKE
  - 8 N/C
  - 9 N/C
  - 10 N/C
  - 11 BLK(W7699) WARN/BUZZER CONTROL
  - 12 N/C

- CN0 (GRAY)  
PIN
- 1 BLK(W6800) SW BATT
  - 2 BLK(W6800) SW BATT
  - 3 WHT(W6230) GROUND
  - 4 WHT(W6230) GROUND

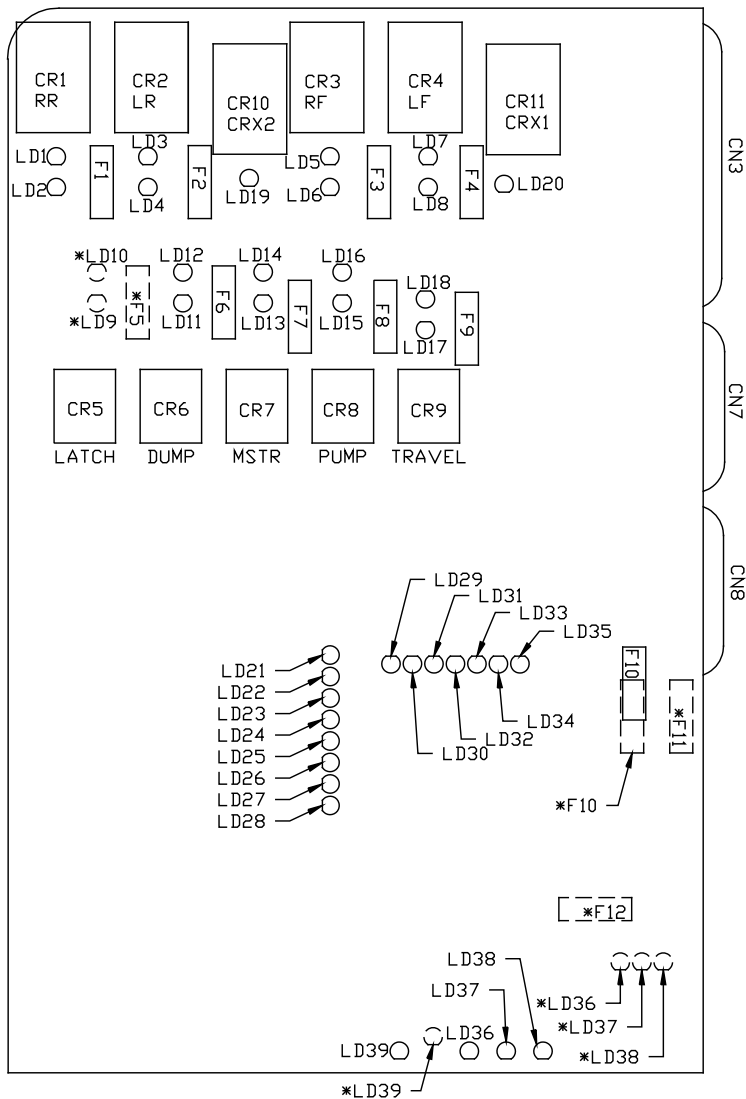
- CN8 (BLACK)  
PIN
- 1 N/C
  - 2 N/C
  - 3 RED(W6800) SW BATT
  - 4 WHT(W6230) GROUND
  - 5 CAN SHIELD
  - 6 RED(W6121) ACCESSORY
  - 7 GREEN
  - 8 YELLOW

- CN6 (GRAY)  
PIN
- 1 N/C
  - 2 N/C
  - 3 BLK(W1000) LF WARN SW
  - 4 BLK(W2000) RF WARN SW
  - 5 BLK(W1200) LF PRESS SW
  - 6 BLK(W2200) RF PRESS SW
  - 7 BLK(W3200) RR PRESS SW
  - 8 BLK(W4200) LR PRESS SW
  - 9 BLK(W3000) RR WARN SW
  - 10 BLK(W4000) LR WARN SW
  - 11 N/C
  - 12 WHT(W6235) GROUND



NOTE: INSTALLATION MUST CONFORM TO GOOD SHOP PRACTICES, SAE STANDARDS, RVIA STANDARDS, AND OTHER APPLICABLE STANDARDS.

MP89459 C  
28NOV07



| LED #   | COLOR  | DESCRIPTION            |
|---------|--------|------------------------|
| LED 1   | YELLOW | RR COIL                |
| LED 2   | RED    | RR CONTACT             |
| LED 3   | YELLOW | LR COIL                |
| LED 4   | RED    | LR CONTACT             |
| LED 5   | YELLOW | RF COIL                |
| LED 6   | RED    | RF CONTACT             |
| LED 7   | YELLOW | LF COIL                |
| LED 8   | RED    | LF CONTACT             |
| *LED 9  | YELLOW | ---                    |
| *LED 10 | RED    | ---                    |
| LED 11  | YELLOW | DUMP COIL              |
| LED 12  | RED    | DUMP CONTACT           |
| LED 13  | YELLOW | MASTER RELAY COIL      |
| LED 14  | RED    | MASTER RELAY CONTACT   |
| LED 15  | YELLOW | PUMP COIL              |
| LED 16  | RED    | PUMP CONTACT           |
| LED 17  | YELLOW | TRAVEL COIL            |
| LED 18  | RED    | TRAVEL CONTACT         |
| LED 19  | YELLOW | CRX 2                  |
| LED 20  | YELLOW | CRX 1                  |
| LED 21  | YELLOW | LF WARN SW             |
| LED 22  | YELLOW | RF WARN SW             |
| LED 23  | YELLOW | RR WARN SW             |
| LED 24  | YELLOW | LR WARN SW             |
| LED 25  | RED    | LF PRESS SW            |
| LED 26  | RED    | RF PRESS SW            |
| LED 27  | RED    | RR PRESS SW            |
| LED 28  | RED    | LR PRESS SW            |
| LED 29  | RED    | NOT USED               |
| LED 30  | YELLOW | NOT USED               |
| LED 31  | GREEN  | 3000 LB PSW INPUT      |
| LED 32  | RED    | MASTER WARNING CONTROL |
| LED 33  | GREEN  | 50 LB PSW INPUT        |
| LED 34  | RED    | JACK INTERRUPT         |
| LED 35  | RED    | PARK BRAKE             |
| LED 36  | RED    | BOARD ENABLED          |
| LED 37  | RED    | ACCESSORY IN           |
| LED 38  | RED    | ACCESSORY OUT          |
| LED 39  | RED    | LINK LIGHT             |

| FUSE | RATING   | DESCRIPTION       |
|------|----------|-------------------|
| F1   | 15 AMP   | RR OUTPUT         |
| F2   | 15 AMP   | LR OUTPUT         |
| F3   | 15 AMP   | RF OUTPUT         |
| F4   | 15 AMP   | LF OUTPUT         |
| *F5  | NOT USED | ---               |
| F6   | 5 AMP    | DUMP OUTPUT       |
| F7   | 5 AMP    | MASTER OUTPUT     |
| F8   | 5 AMP    | PUMP OUTPUT       |
| F9   | 5 AMP    | TRAVEL OUTPUT     |
| F10  | 7.5 AMP  | ACC INPUT         |
| *F11 | 3 AMP    | WARN LIGHT SUPPLY |
| *F12 | 10 AMP   | ACC OUTPUT        |

NOTE: COMPONENTS MARKED WITH A "\*" ARE LOCATED ON OLDER 625 BOARD ASSEMBLIES.

ON NEWER BOARD ASSEMBLIES, FUSES F5, F11 AND F12 HAVE BEEN REPLACED BY POLYFUSES. THESE POLYFUSES ARE NOT REPLACEABLE.

NOTE: INSTALLATION MUST CONFORM TO GOOD SHOP PRACTICES, SAE STANDARDS, RVIA STANDARDS, AND OTHER APPLICABLE STANDARDS.

MP89459 D  
28NOV07