

AP30202 CN1 (BROWN)
 PIN
 1 N/C
 2 BLK(W1500) LEFT FRONT RAISE
 3 BLK(W1600) LEFT FRONT LOWER
 4 BLK(W2500) RIGHT FRONT RAISE
 5 BLK(W2600) RIGHT FRONT LOWER
 6 BLK(W9700) COMPRESSOR
 7 N/C
 8 BLK(W1700) FRONT TRAVEL
 9 N/C
 10 N/C
 11 WHT(W6254) GROUND
 12 N/C

AP30202 CN98 (GRAY)
 PIN
 1 BLK(W6800) SW BATT
 2 BLK(W6800) SW BATT
 3 WHT(W6231) GND
 4 WHT(W6231) GND

AP30202 CN1 (BLACK)
 PIN
 1 N/C
 2 BLK(W4500) LEFT REAR RAISE
 3 BLK(W4600) LEFT REAR LOWER
 4 BLK(W3500) RIGHT REAR RAISE
 5 BLK(W3600) RIGHT REAR LOWER
 6 N/C
 7 N/C
 8 BLK(W3700) REAR TRAVEL
 9 N/C
 10 N/C
 11 WHT(W6258) GROUND
 12 N/C

AP30731 CN1 (BLACK)
 PIN
 1 N/C
 2 N/C
 3 RED(W6800) SW BATT
 4 WHT(W6230) GND
 5 CAN SHIELD
 6 N/C
 7 GRN CAN LOW
 8 YEL CAN HI

AP30731 CN10 (GRAY)
 PIN
 1 BLK(W7599) SWITCH LIGHT CONTROL
 2 RED(W6100) RESET OUT
 3 BLK(W7550) RESET IN
 4 RED(W6121) WARNING LIGHT SUPPLY
 5 WHT(W6230) SWITCH LIGHT SUPPLY
 6 BLK(W7699) WARNING LIGHT CNTRL

AP30731 CN11 (GRAY)
 PIN
 1 RED(W6110) IGNITION
 2 N/C
 3 N/C (KEY PIN)
 4 N/C
 5 RED(W6120) ACCESSORY
 6 RED(W6100) HOUSE BATTERY
 7 WHT(W6230) GROUND
 8 N/C
 9 N/C
 10 N/C
 11 BLK(W9000) PARK BRAKE SWITCH
 12 RED(W6101) ENGINE BATTERY

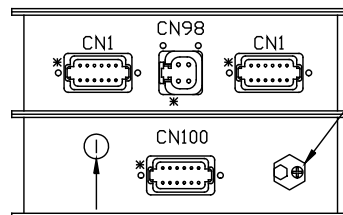
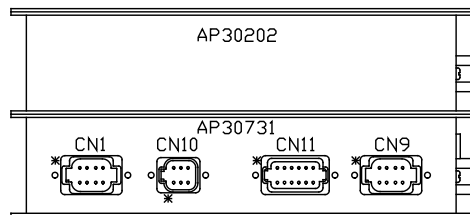
AP30731 CN9 (GREEN)
 PIN
 1 N/C
 2 N/C
 3 N/C
 4 N/C
 5 BLK(W9900) SPEED SWITCH
 6 N/C
 7 N/C
 8 N/C

AP30731 CN100 (GRAY)
 PIN
 1 N/C
 2 BLK(W1210) LEFT FRONT PSW
 3 BLK(W2210) RIGHT FRONT PSW
 4 BLK(W3210) RIGHT REAR PSW
 5 BLK(W4210) LEFT REAR PSW
 6 WHT(W6231) GROUND
 7 N/C
 8 BLK(W3215) SYSTEM PSW
 9 N/C
 10 N/C
 11 N/C
 12 N/C

AP30730
 CENTRAL CONTROL/AIR
 MODULE

FRONT VIEW

RIGHT
 SIDE
 VIEW



SENSING UNIT
 ADJUSTMENT NUT

* DESIGNATES PIN 1 OF CONNECTORS

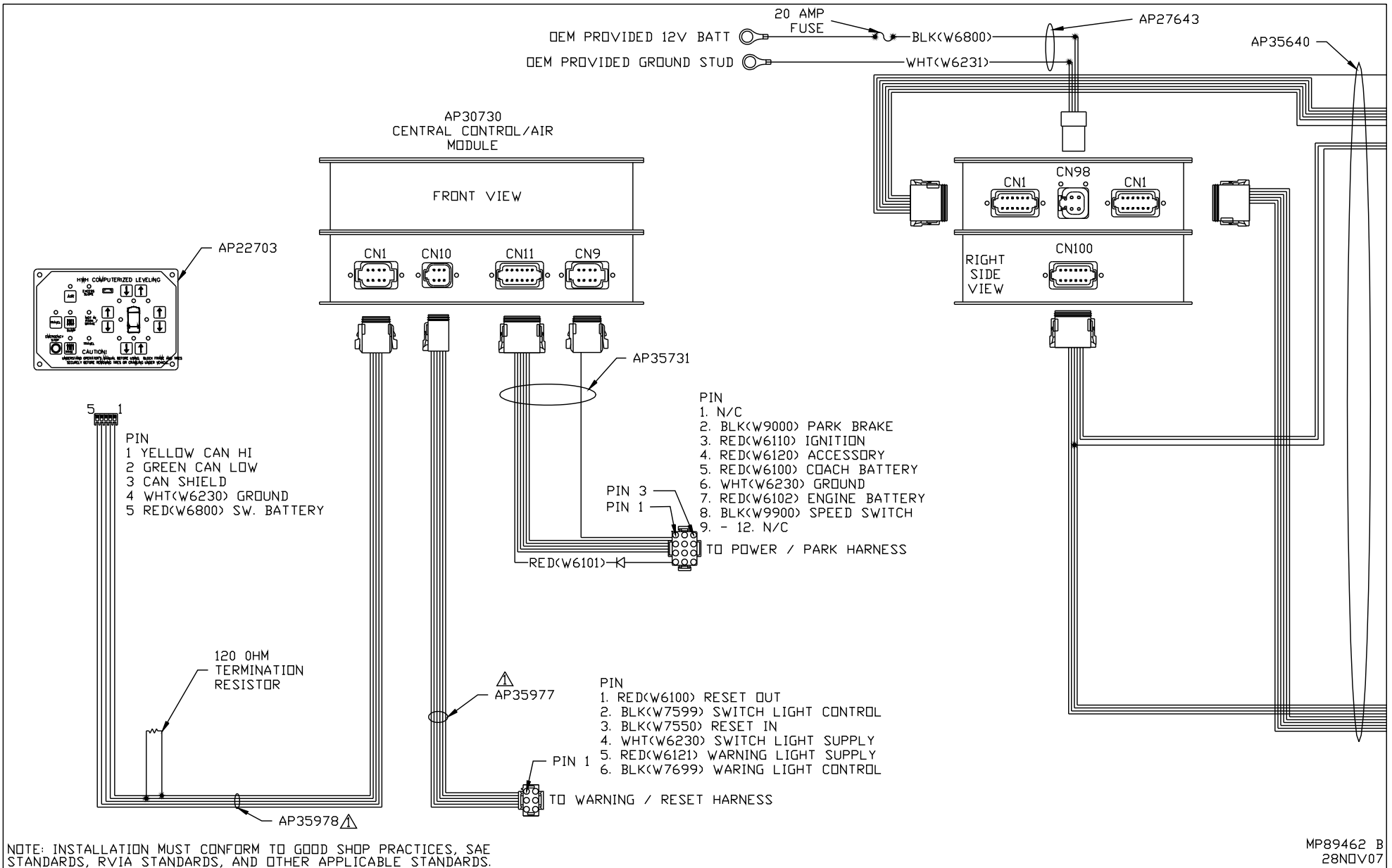
110 NEUTRAL HOLD ENABLED
 220 NEUTRAL HOLD DISABLED

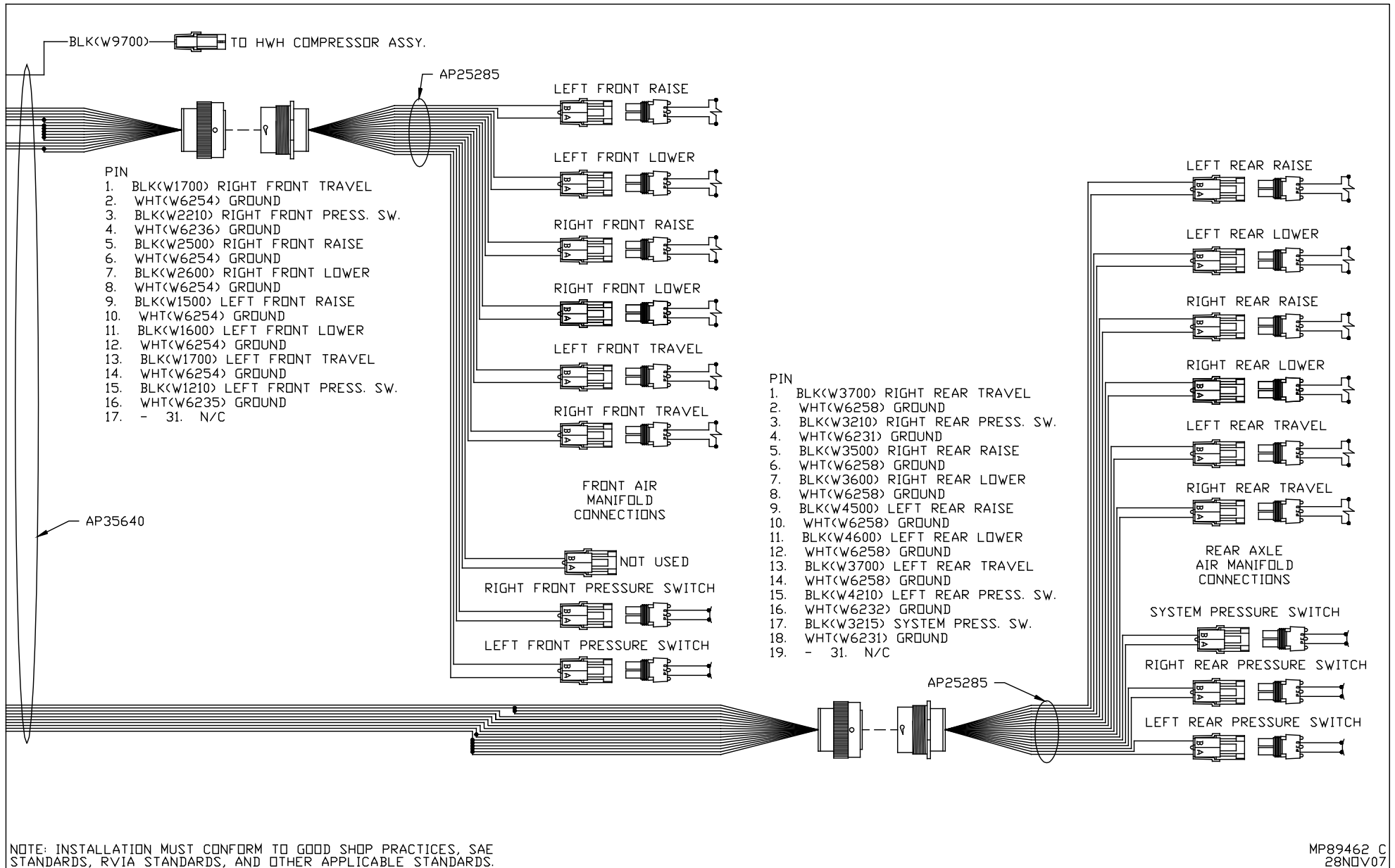
NO.	DATE	REVISION
4	28NOV07	ADDED NOTE, WAS A/J
3	18JAN06	ADDED CN100 LAYOUT
2	07NOV05	ADDED 'I' SHEET
1	19JUL05	WAS AP27720, AP30886

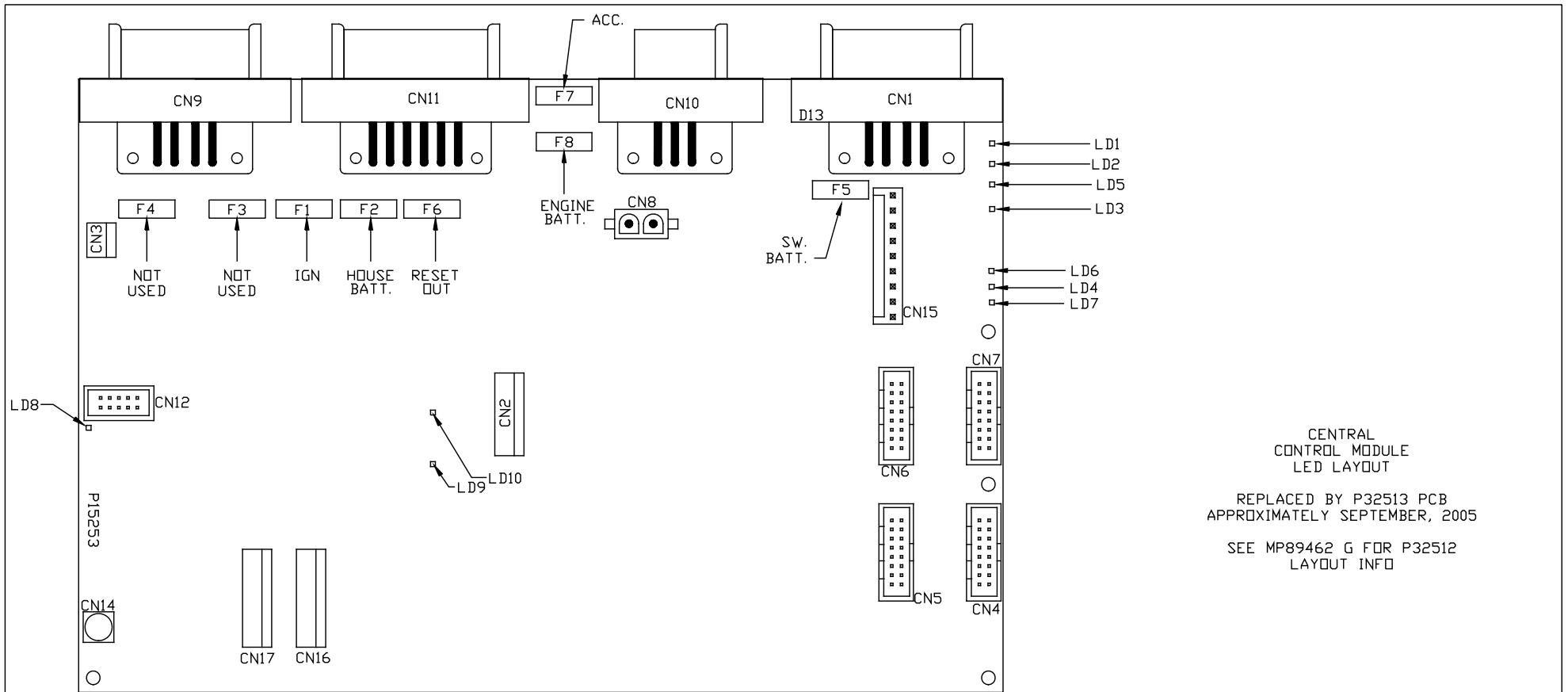
HWH		I-80 EXIT 267 SOUTH	
		RT 1 MOSCOW, IOWA 52760	
SCALE 1:3	DATE 29APR05	DRAWN BY .	
SYSTEM SCHEMATIC ELEC			

THE INFORMATION DISCLOSED ON THIS DRAWING IS CONFIDENTIAL AND MUST NOT BE DISCLOSED OR USED IN ANY MANNER WHICH WILL BE DETRIMENTAL TO THE HWH CORPORATION

DRAWING NUMBER
 MP89462 A/G







CENTRAL
 CONTROL MODULE
 LED LAYOUT

 REPLACED BY P32513 PCB
 APPROXIMATELY SEPTEMBER, 2005

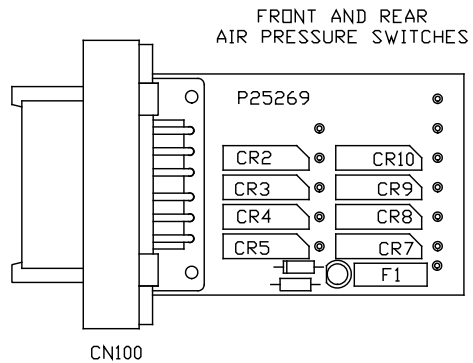
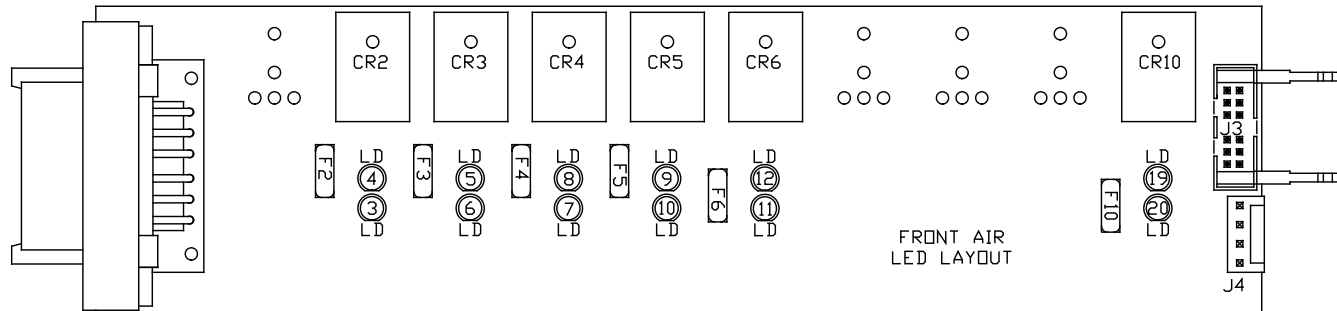
 SEE MP89462 G FOR P32512
 LAYOUT INFO

LED #	CONNECTOR	COLOR	DESCRIPTION
LED 1	NOT USED	NOT USED	NOT USED
LED 2	NOT USED	NOT USED	NOT USED
LED 3	CN 1 PIN 3	RED	SW 12V
LED 4	CN 11 PIN 12	RED	COACH BATT
LED 5	CN 9 PIN 5	RED	SPEED SWITCH
LED 6	NOT USED	NOT USED	NOT USED
LED 7	CN 1 PIN 7 & 8	RED	LINK LIGHT
LED 8	CN 11 PIN 8 & 9	RED	NEUTRAL HOLD
LED 9	NOT USED	NOT USED	NOT USED
LED 10	NOT USED	NOT USED	NOT USED

NOTE: INSTALLATION MUST CONFORM TO GOOD SHOP PRACTICES, SAE STANDARDS, RVIA STANDARDS, AND OTHER APPLICABLE STANDARDS.

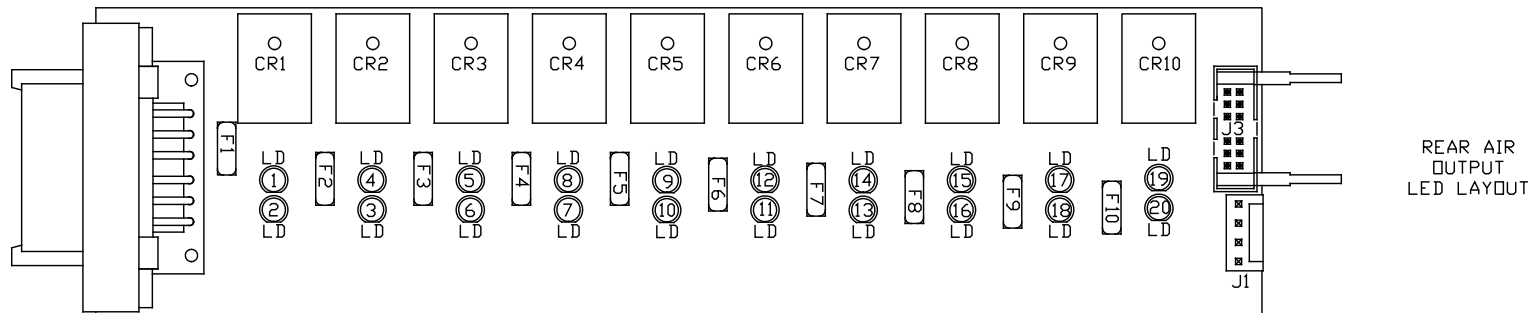
MP89462 D
28NOV07

LED #	COLOR	INPUT J3	FUSE #	OUTPUT	RELAY #	DESCRIPTION
LED3	RED	---	FUSE 2	PIN 2	CR2	LEFT FRONT RAISE (CONTACT)
LED4	YELLOW	PIN 12	---	---	CR2	LEFT FRONT RAISE (COIL)
LED5	YELLOW	PIN 11	---	---	CR3	LEFT FRONT LOWER (COIL)
LED6	RED	---	FUSE 3	PIN 3	CR3	LEFT FRONT LOWER (CONTACT)
LED7	RED	---	FUSE 4	PIN 4	CR4	RIGHT FRONT RAISE (CONTACT)
LED8	YELLOW	PIN 10	---	---	CR4	RIGHT FRONT RAISE (COIL)
LED9	YELLOW	PIN 9	---	---	CR5	RIGHT FRONT LOWER (COIL)
LED10	RED	---	FUSE 5	PIN 5	CR5	RIGHT FRONT LOWER (CONTACT)
LED11	RED	---	FUSE 6	PIN 6	CR6	COMPRESSOR (CONTACT)
LED12	YELLOW	PIN 8	---	---	CR6	COMPRESSOR (COIL)
LED19	YELLOW	PIN 4	---	---	CR10	TRAVEL (COIL)
LED20	RED	---	FUSE 10	PIN 8	CR10	TRAVEL (CONTACT)



CONNECTOR	REED SWITCH	DESCRIPTION
CN 100 PIN 1	---	NOT USED
CN 100 PIN 2	CR2	LEFT FRONT PSW
CN 100 PIN 3	CR3	RIGHT FRONT PSW
CN 100 PIN 4	CR4	RIGHT REAR PSW
CN 100 PIN 5	CR5	LEFT REAR PSW
CN 100 PIN 6	---	GROUND
CN 100 PIN 7	---	NOT USED
CN 100 PIN 8	CR7	SYSTEM PSW
CN 100 PIN 9	CR8	NOT USED
CN 100 PIN 10	CR9	NOT USED
CN 100 PIN 11	CR10	NOT USED
CN 100 PIN 12	---	NOT USED

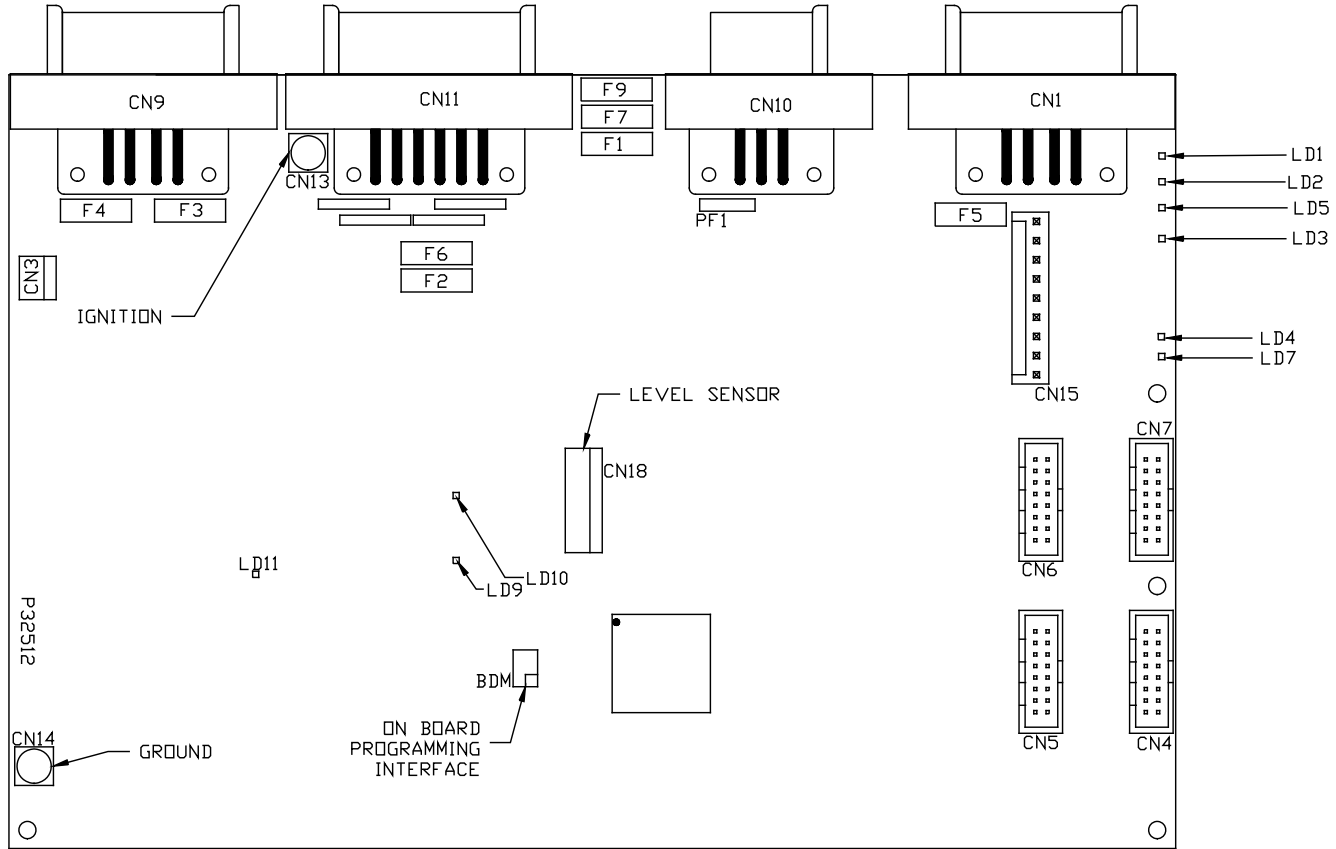
NOTE: INSTALLATION MUST CONFORM TO GOOD SHOP PRACTICES, SAE STANDARDS, RVIA STANDARDS, AND OTHER APPLICABLE STANDARDS.



LED #	COLOR	INPUT J3	FUSE #	OUTPUT	RELAY #	DESCRIPTION
LED1	YELLOW	PIN 13	---	---	CR1	NOT USED
LED2	RED	---	FUSE 1	PIN 1	CR1	NOT USED
LED3	RED	---	FUSE 2	PIN 2	CR2	LEFT REAR RAISE (CONTACT)
LED4	YELLOW	PIN 12	---	---	CR2	LEFT REAR RAISE (COIL)
LED5	YELLOW	PIN 11	---	---	CR3	LEFT REAR LOWER (COIL)
LED6	RED	---	FUSE 3	PIN 3	CR3	LEFT REAR LOWER (CONTACT)
LED7	RED	---	FUSE 4	PIN 4	CR4	RIGHT REAR RAISE (CONTACT)
LED8	YELLOW	PIN 10	---	---	CR4	RIGHT REAR RAISE (COIL)
LED9	YELLOW	PIN 9	---	---	CR5	RIGHT REAR LOWER (COIL)
LED10	RED	---	FUSE 5	PIN 5	CR5	RIGHT REAR LOWER (CONTACT)
LED11	RED	---	FUSE 6	PIN 6	CR6	NOT USED
LED12	YELLOW	PIN 8	---	---	CR6	NOT USED
LED13	RED	---	FUSE 7	PIN 10	CR7	NOT USED
LED14	YELLOW	PIN 7	---	---	CR7	NOT USED
LED15	YELLOW	PIN 6	---	---	CR8	NOT USED
LED16	RED	---	FUSE 8	PIN 9	CR8	NOT USED
LED17	YELLOW	PIN 5	---	---	CR9	NOT USED
LED18	RED	---	FUSE 9	PIN 7	CR9	NOT USED
LED19	YELLOW	PIN 4	---	---	CR10	TRAVEL (COIL)
LED20	RED	---	FUSE 10	PIN 8	CR10	TRAVEL (CONTACT)

NOTE: INSTALLATION MUST CONFORM TO GOOD SHOP PRACTICES, SAE STANDARDS, RVIA STANDARDS, AND OTHER APPLICABLE STANDARDS.

MP89462 F
28NOV07



CENTRAL
CONTROL MODULE
LED LAYOUT
EFFECTIVE APPROXIMATELY
SEPTEMBER, 2005

LED #	CONNECTOR	COLOR	DESCRIPTION
LED 1	NOT USED	NOT USED	NOT USED
LED 2	NOT USED	NOT USED	NOT USED
LED 3	CN 1 PIN 3	RED	SW 12V
LED 4	CN 11 PIN 12	RED	SYSTEM WAKE UP
LED 5	CN 9 PIN 5	RED	SPEED SWITCH
LED 7	CN 1 PIN 7 & 8	RED	LINK LIGHT
LED 8	NOT USED	RED	NOT USED
LED 9	NOT USED	NOT USED	NOT USED
LED 10	NOT USED	NOT USED	NOT USED
LED 11	CN11 PIN 11	RED	PARK BRAKE

FUSE #	DESCRIPTION
PF1	RESET OUT
F7	ACCESSORY
F1	IGNITION
F2	HOUSE BATTERY
F3	NOT USED
F4	NOT USED
F5	SW. BATT TO CAN MODULES
F6	ENGINE BATTERY
F9	POWER TO CN100

NOTE: INSTALLATION MUST CONFORM TO GOOD SHOP PRACTICES, SAE STANDARDS, RVIA STANDARDS, AND OTHER APPLICABLE STANDARDS.