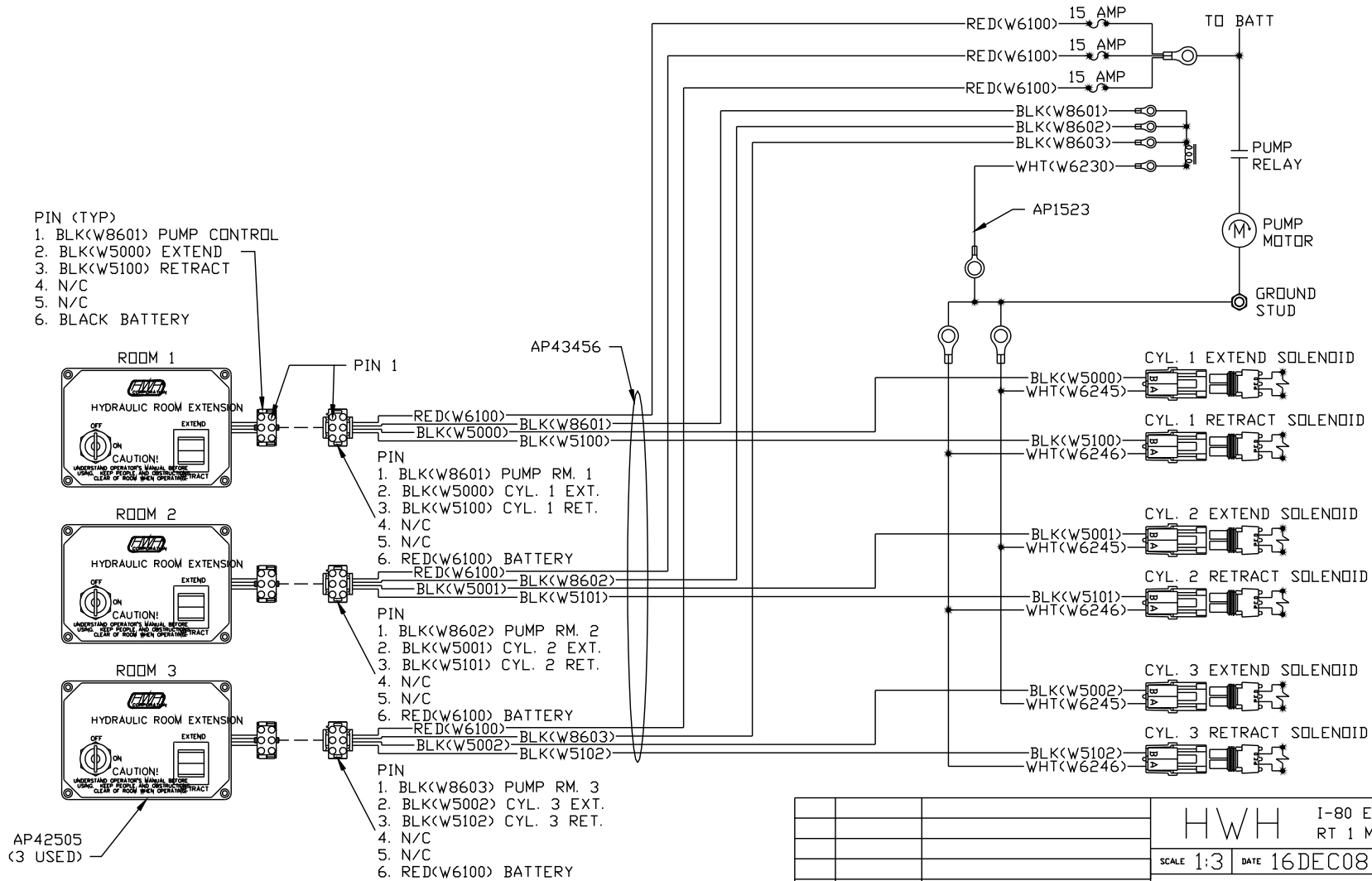


- PIN (TYP)
1. BLK(W8601) PUMP CONTROL
 2. BLK(W5000) EXTEND
 3. BLK(W5100) RETRACT
 4. N/C
 5. N/C
 6. BLACK BATTERY



- PIN
1. BLK(W8601) PUMP RM. 1
 2. BLK(W5000) CYL. 1 EXT.
 3. BLK(W5100) CYL. 1 RET.
 4. N/C
 5. N/C
 6. RED(W6100) BATTERY

- PIN
1. BLK(W8602) PUMP RM. 2
 2. BLK(W5001) CYL. 2 EXT.
 3. BLK(W5101) CYL. 2 RET.
 4. N/C
 5. N/C
 6. RED(W6100) BATTERY

- PIN
1. BLK(W8603) PUMP RM. 3
 2. BLK(W5002) CYL. 3 EXT.
 3. BLK(W5102) CYL. 3 RET.
 4. N/C
 5. N/C
 6. RED(W6100) BATTERY

		HWH I-80 EXIT 267 SOUTH RT 1 MOSCOW, IOWA 52760	
		SCALE 1:3	DATE 16DEC08
		DRAWN BY .	
		SYSTEM SCHEMATIC ELEC	
NO.	DATE	REVISION	
		THE INFORMATION DISCLOSED ON THIS DRAWING IS CONFIDENTIAL AND MUST NOT BE DISCLOSED OR USED IN ANY MANNER WHICH WILL BE DETRIMENTAL TO THE HWH CORPORATION	
		DRAWING NUMBER MP902600	

NOTE: INSTALLATION MUST CONFORM TO GOOD SHOP PRACTICES, SAE STANDARDS, RVIA STANDARDS, AND OTHER APPLICABLE STANDARDS.