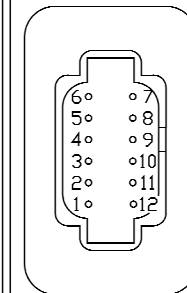


- PIN
1. BLK<W5000> EXTEND ROOM 1
 2. BLK<W5100> RETRACT ROOM 1
 3. BLK<W5001> EXTEND ROOM 2
 4. BLK<W5101> RETRACT ROOM 2
 5. N/C
 6. N/C
 7. RED<W6805> +12V TO ROOM SWITCHES
 8. N/C
 9. N/C
 10. N/C
 11. N/C
 12. N/C



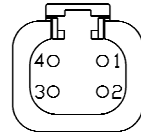
AP53506

			HWH I-80 EXIT 267 SOUTH RT 1 MOSCOW, IOWA 52760		
			SCALE 1:3	DATE 18SEP23	DRAWN BY .
			SYSTEM SCHEMATIC ELEC		
NO.	DATE	REVISION	DRAWING NUMBER MP91632 A/D		
THE INFORMATION DISCLOSED ON THIS DRAWING IS CONFIDENTIAL AND MUST NOT BE DISCLOSED OR USED IN ANY MANNER WHICH WILL BE DETRIMENTAL TO THE HWH CORPORATION					

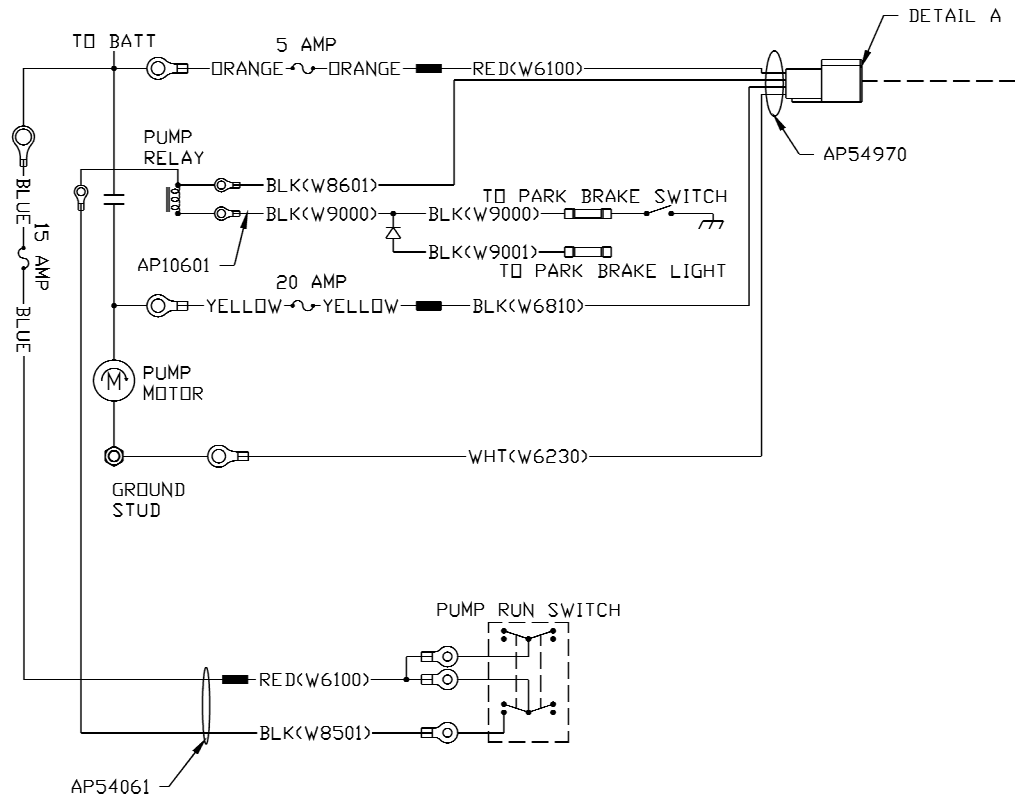
NOTE: INSTALLATION MUST CONFORM TO GOOD SHOP PRACTICES, SAE STANDARDS, RVIA STANDARDS, AND OTHER APPLICABLE STANDARDS.

PIN

- 1. BLK(W6810) SW. BATTERY FROM PUMP RELAY
- 2. RED(W6100) BATTERY FROM PUMP RELAY
- 3. BLK(W8601) PUMP
- 4. WHT(W6230) GROUND



DETAIL A



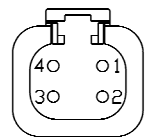
PUMP WIRING DIAGRAM IF NO HWH LEVELING SYSTEM IS USED

NOTE: INSTALLATION MUST CONFORM TO GOOD SHOP PRACTICES, SAE STANDARDS, RVIA STANDARDS, AND OTHER APPLICABLE STANDARDS.

MP91632 B
18SEP23

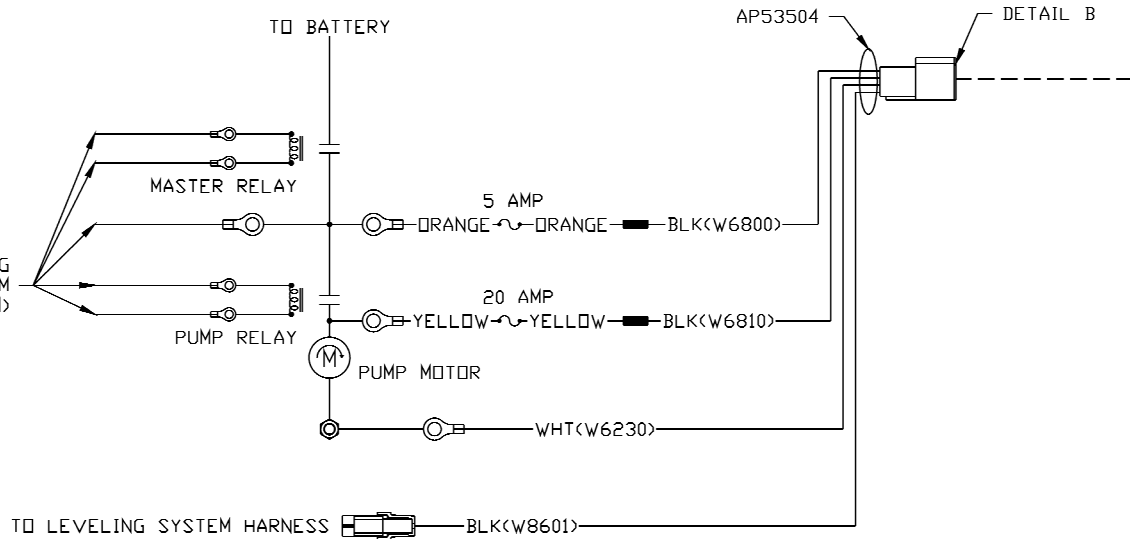
PIN

- 1. BLK(W6810) SW. BATTERY FROM PUMP RELAY
- 2. BLK(W6800) SW. BATTERY FROM MASTER RELAY
- 3. BLK(W8601) PUMP REQUEST
- 4. WHT(W6230) GROUND



DETAIL B

WIRES FROM LEVELING CONTROL MIDM (SEE LEVELING DIAGRAM)



PUMP WIRING DIAGRAM IF HWH LEVELING IS USED

NOTE: INSTALLATION MUST CONFORM TO GOOD SHOP PRACTICES, SAE STANDARDS, RVIA STANDARDS, AND OTHER APPLICABLE STANDARDS.

