

- PIN
1. BLK(W5000) EXTEND ROOM 1
 2. BLK(W5100) RETRACT ROOM 1
 3. N/C
 4. N/C
 5. N/C
 6. N/C
 7. RED(W6805) +12V TO ROOM SWITCHES
 8. N/C
 9. N/C
 10. N/C
 11. N/C
 12. N/C

NO.	DATE	REVISION

HWH I-80 EXIT 267 SOUTH
RT 1 MOSCOW, IOWA 52760

SCALE 1:3 DATE 18SEP23 DRAWN BY .

SYSTEM SCHEMATIC ELEC

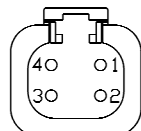
NOTE: INSTALLATION MUST CONFORM TO GOOD SHOP PRACTICES, SAE STANDARDS, RVIA STANDARDS, AND OTHER APPLICABLE STANDARDS.

THE INFORMATION DISCLOSED ON THIS DRAWING IS CONFIDENTIAL AND MUST NOT BE DISCLOSED OR USED IN ANY MANNER WHICH WILL BE DETRIMENTAL TO THE HWH CORPORATION

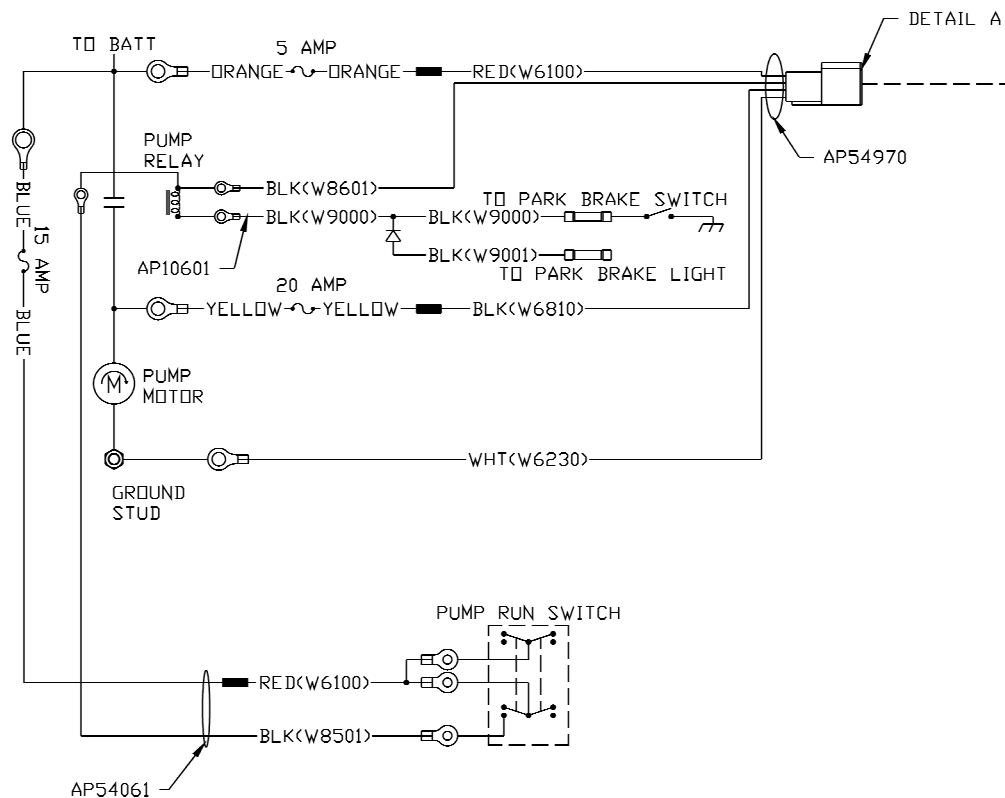
DRAWING NUMBER
MP91634 A/D

PIN

1. BLK(W6810) SW. BATTERY FROM PUMP RELAY
2. RED(W6100) BATTERY FROM PUMP RELAY
3. BLK(W8601) PUMP
4. WHT(W6230) GROUND



DETAIL A

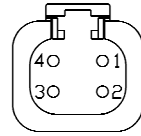


PUMP WIRING DIAGRAM IF NO HWH LEVELING SYSTEM IS USED

NOTE: INSTALLATION MUST CONFORM TO GOOD SHOP PRACTICES, SAE STANDARDS, RVIA STANDARDS, AND OTHER APPLICABLE STANDARDS.

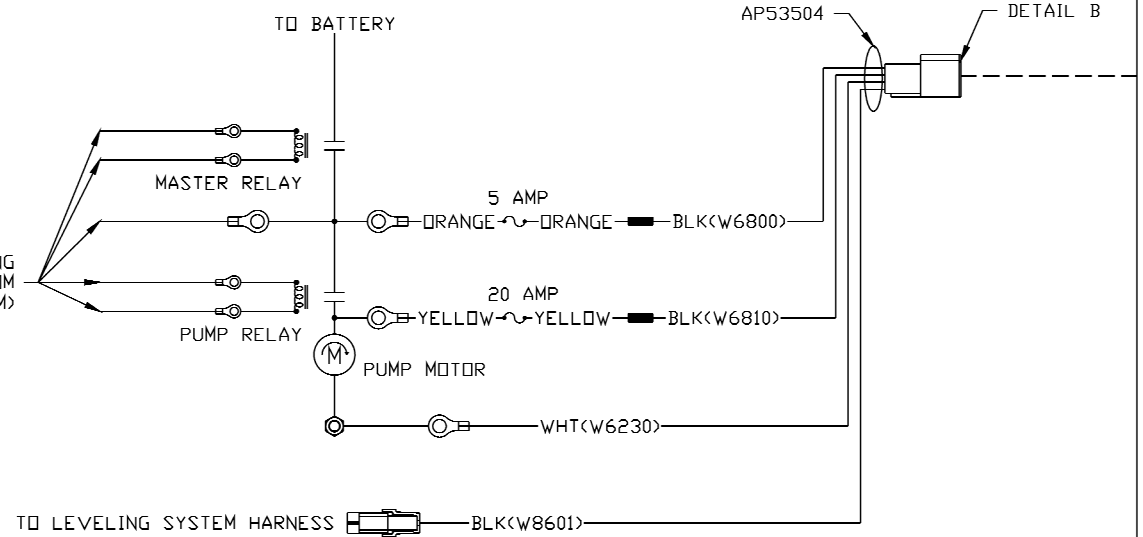
PIN

1. BLK(W6810) SW. BATTERY FROM PUMP RELAY
2. BLK(W6800) SW. BATTERY FROM MASTER RELAY
3. BLK(W8601) PUMP REQUEST
4. WHT(W6230) GROUND



DETAIL B

WIRES FROM LEVELING
CONTROL MIDM
(SEE LEVELING DIAGRAM)



PUMP WIRING DIAGRAM IF HWH LEVELING IS USED

NOTE: INSTALLATION MUST CONFORM TO GOOD SHOP PRACTICES, SAE STANDARDS, RVIA STANDARDS, AND OTHER APPLICABLE STANDARDS.

MP91634 C
18SEP23

