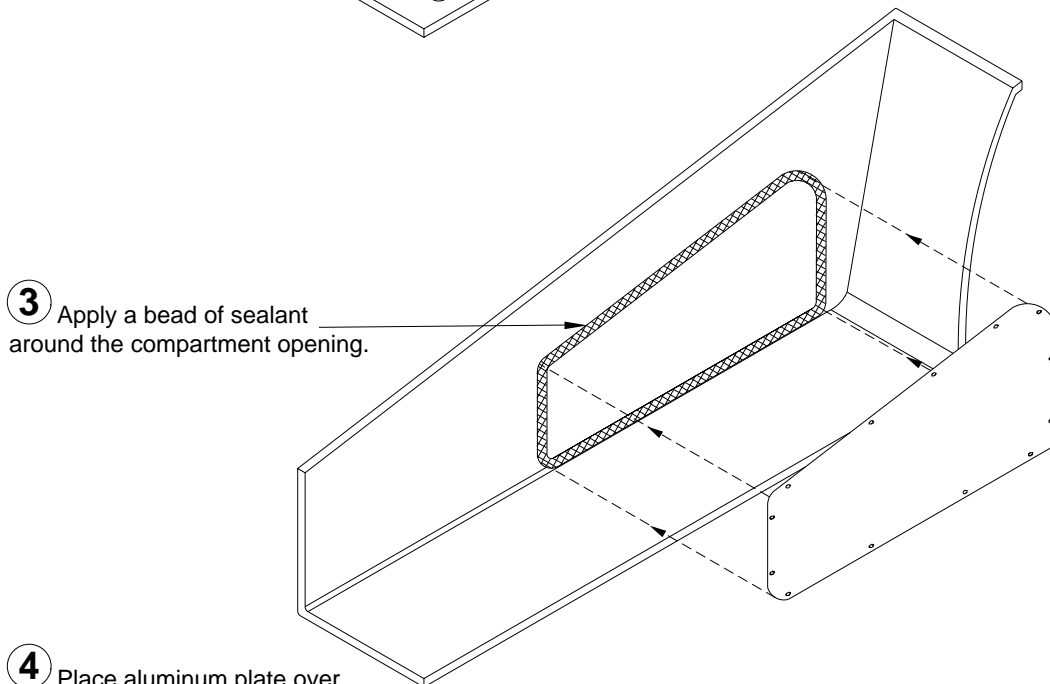
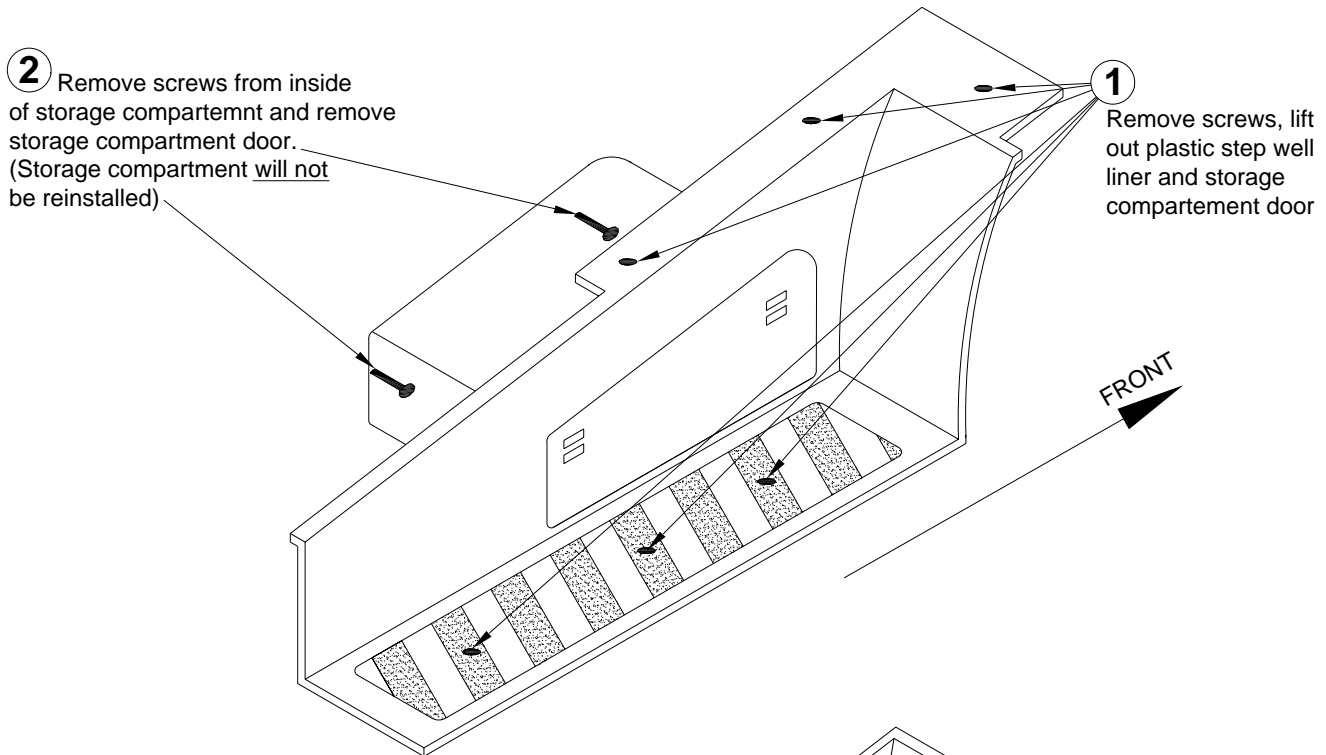


# STEP WELL STORAGE COMPARTMENT COVER INSTALLATION FOR DODGE SPRINTER CHASSIS

On some Sprinter chassis the storage compartment in the right step well must be removed to allow jacks to be installed.



4 Place aluminum plate over opening and screw into place using self drilling screws.

5 Reinstall step well cover and storage compartment door.

AP43445 Cover Plate kit  
(1) P40866 Cover Plate  
(1) AP43489 Hdwe Kit

**CAUTION:** Follow CAUTIONS in Operator's and Installation Manuals concerning working under vehicles.

**MI15.2009  
26SEP08**