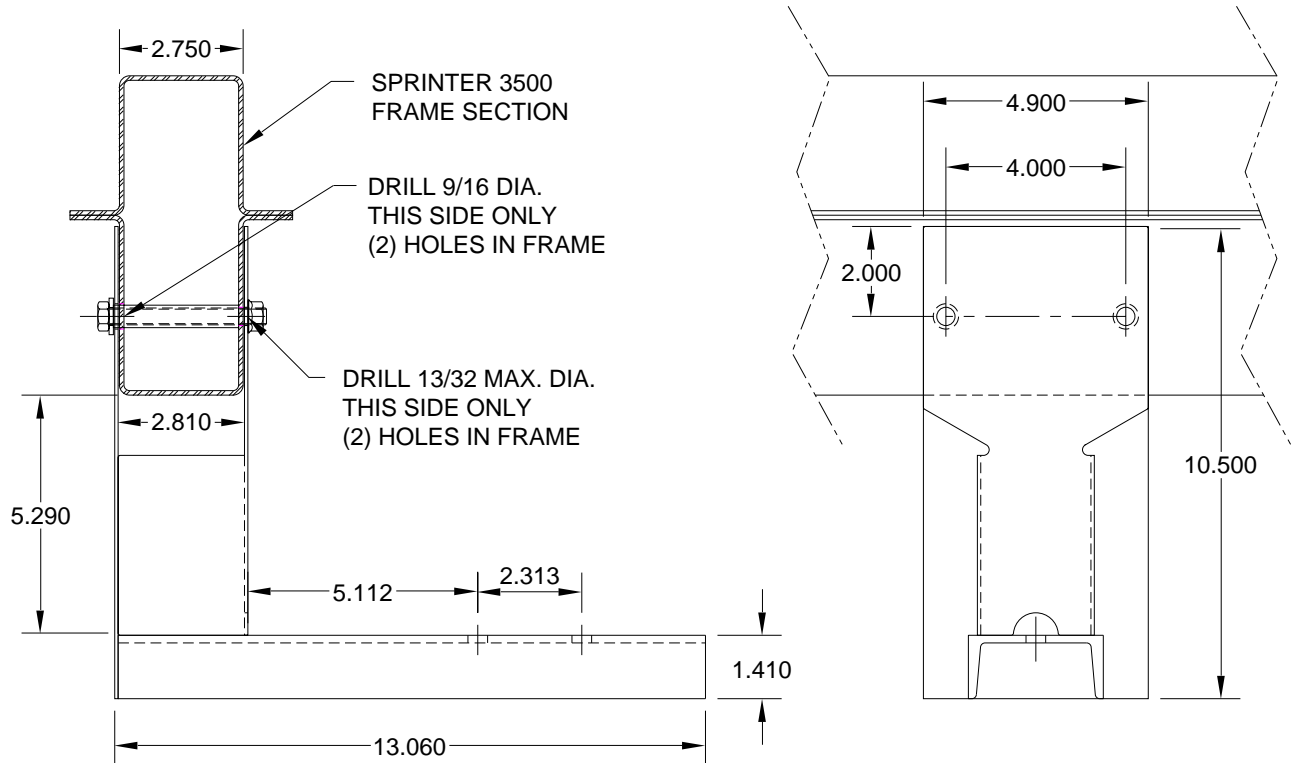
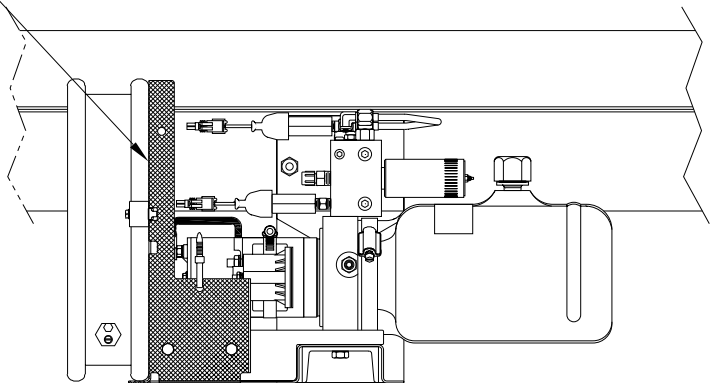


PUMP MOUNTING - DODGE SPRINTER CHASSIS INSTRUCTION SHEET

AP41355 BRACKET KIT INCLUDES:
 AP40925 PUMP MOUNTING BRACKET
 AP41356 HARDWARE KIT



ON SOME POWER UNITS THE CONTROL BOX MOUNTING BRACKET (P37146) MAY BE REMOVED FROM THE POWER UNIT AND RELOCATED. THE MOUNTING BRACKET MAY BE TURNED UPSIDE DOWN IF DESIRED. (THE CONTROL BOX **MAY NOT** BE TURNED UPSIDE DOWN OR SIDEWAYS). CHECK HARNESS LENGTHS FOR ALLOWABLE DISTANCE TO BOX.



SHOWN WITH 625 POWER CONTROL UNIT

CAUTION: Follow CAUTIONS in Operator's and Installation Manuals concerning working under vehicles.

**MI15.4751
14NOV08**