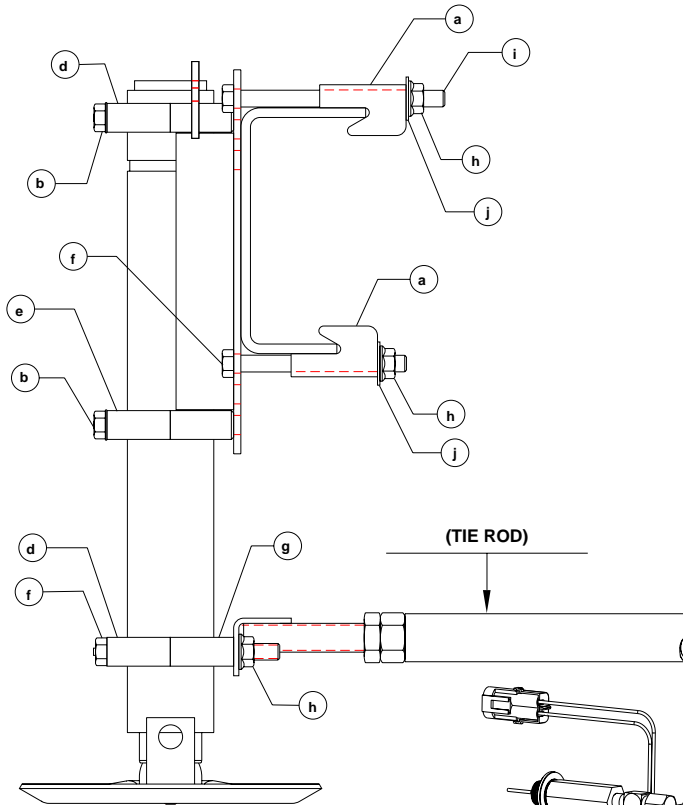
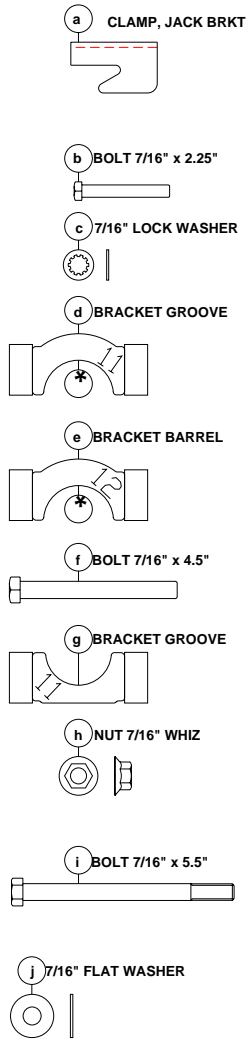


REAR JACKS MOUNTING -FORD E450 CHASSIS

INSTRUCTION SHEET

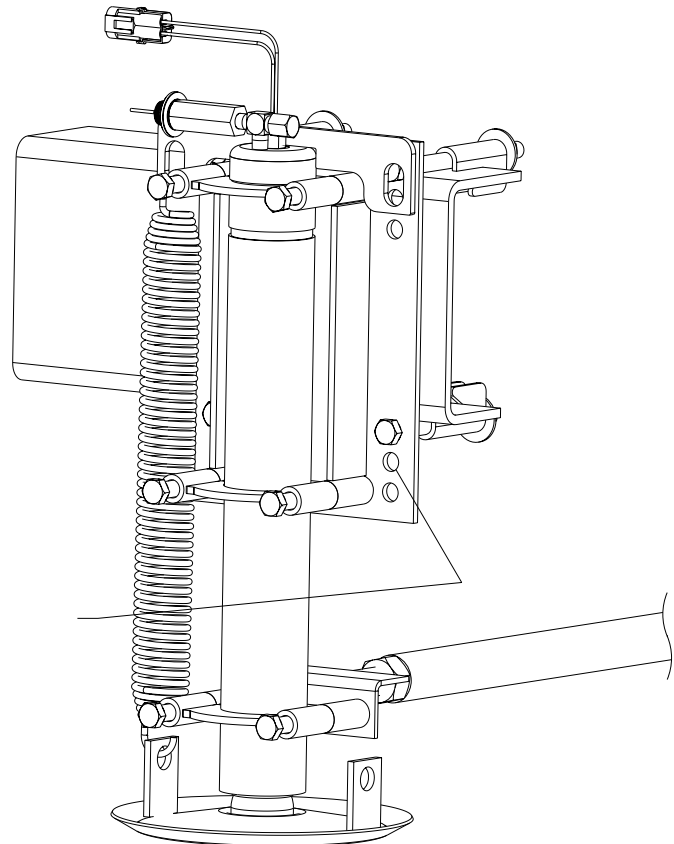
AP53805 KIT



DRIVERS SIDE - BACK
MOUNTED OUTBOARD

SEE MI15.4751E FOR
CROSSTIE INSTALLATION

NOTE: BRACKET HAS 3 MOUNTING
POSITIONS, 0.800" ADJUSTMENT.



* BRACKETS ARE DIAMETER SPECIFIC. THE SMALLER DIAMETER MUST BE USED IN A GROOVE.
THE LARGER DIAMETER MUST BE USED AROUND THE BARREL.