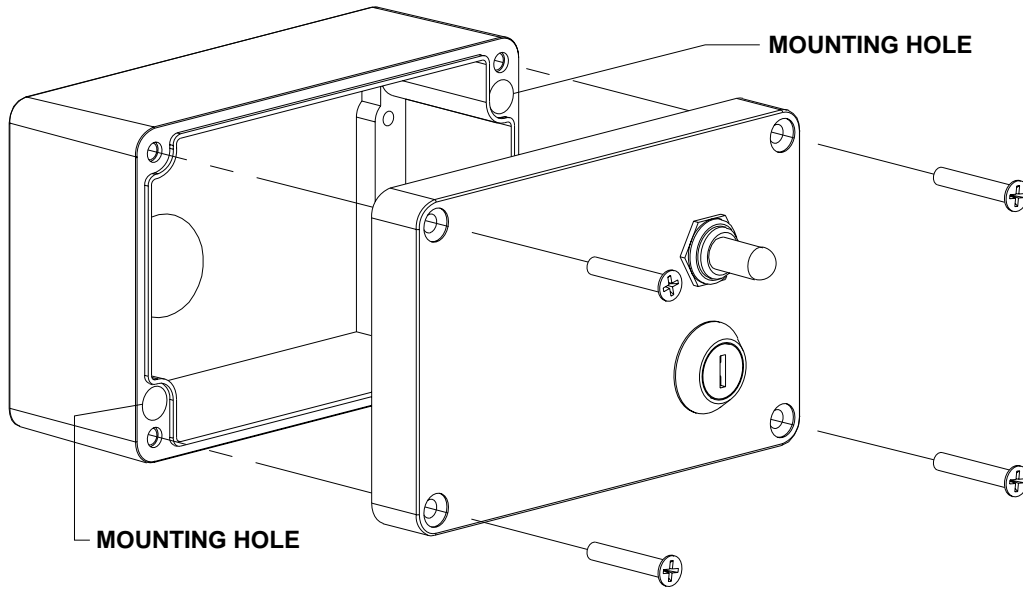


INSTRUCTION SHEET

INSTALLATION OF

WEATHER RESISTANT SWITCH BOX



1. ACCESS BOX "MOUNTING HOLES" BY REMOVING THE (4) LID RETAINING SCREWS AS SHOWN ABOVE.
2. USING THE DIAGRAM BELOW CREATE THE NEEDED MOUNTING HOLES AND CLEARANCE HOLE FOR THE HARNESS.

