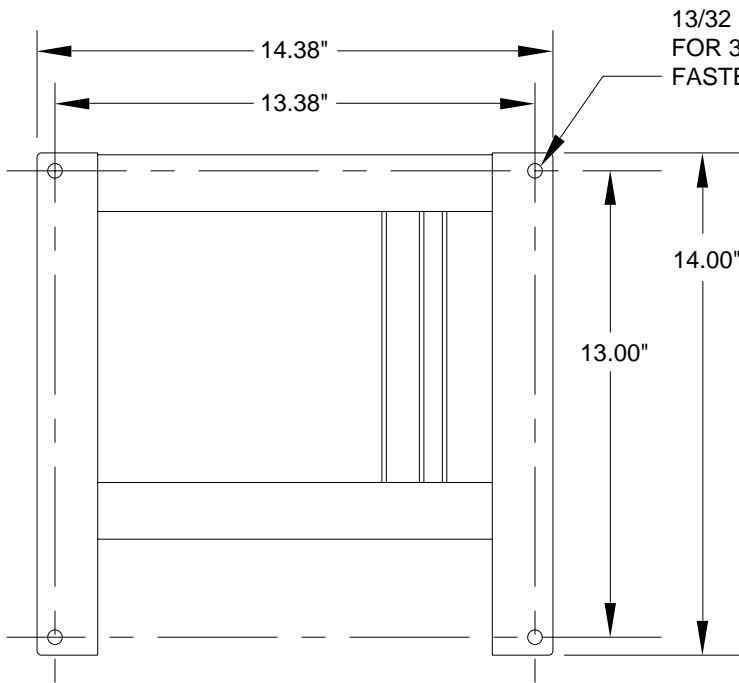


Installation Information

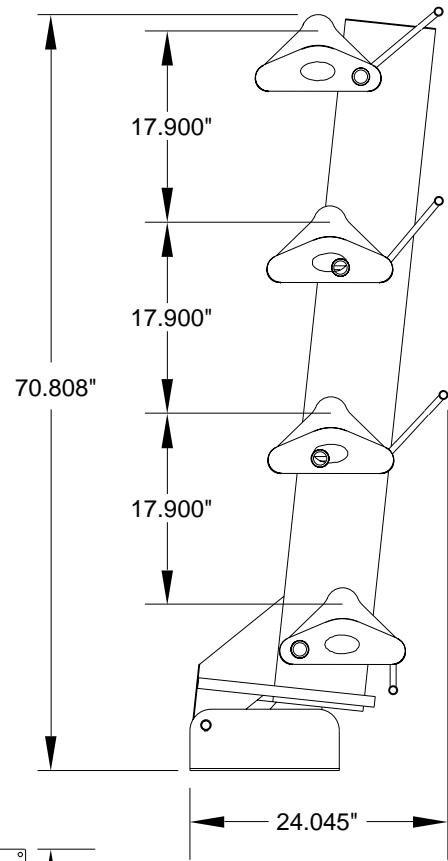
HWH®: Hydraulic Saddle Rack

(4) Saddle Capacity

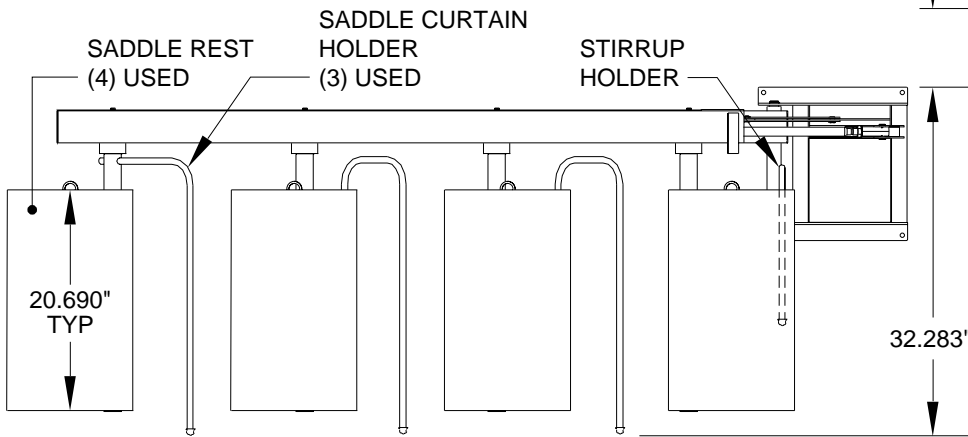
INSTALLATION MUST CONFORM TO GOOD SHOP PRACTICES, SAE STANDARDS, RVIA STANDARDS, AND OTHER APPLICABLE STANDARDS



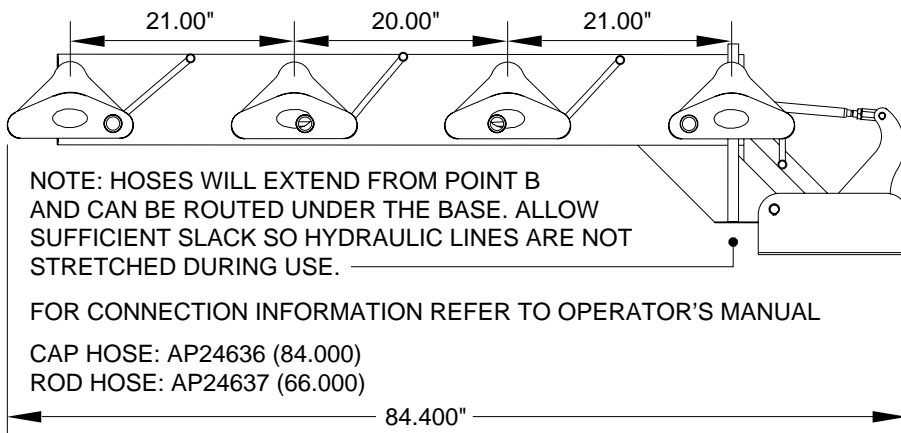
**DETAIL (A) - BASE
BOTTOM VIEW**



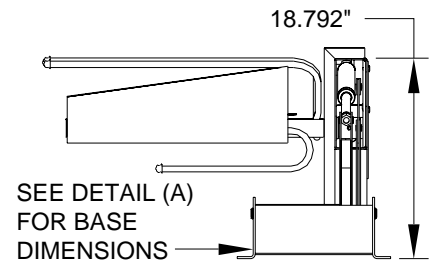
**RETRACTED (UP)
SIDE VIEW**



EXTENDED (DOWN) - TOP VIEW



EXTENDED (DOWN) - SIDE VIEW



**EXTENDED (DOWN)
END VIEW**

MI15.9420
07JAN10