

6000# Jack Kit: Straight-Acting Jacks

Application: For rear of 2007 and earlier Dodge Sprinter 3500 chassis with the 5 cylinder diesel engine.

Mfr. #: AP37524 6000# Jack Kit

Mfr. #: AP37525 Crosstie Kit

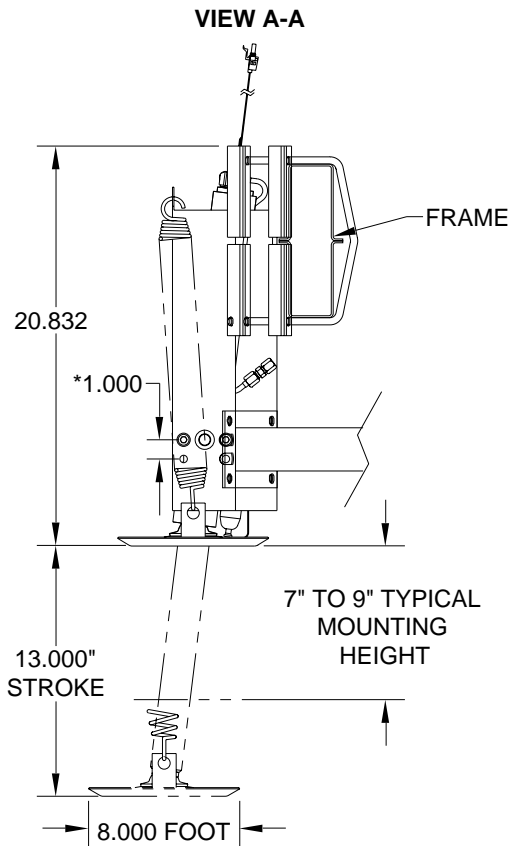
Includes: 1 - AP37065 6000# x 13" Stroke Left Jack Assy.
 1 - AP37066 6000# x 13" Stroke Right Jack Assy.
 1 - AP37059 U-Bolt Hardware Kit
 1 - AP37179 Hardware Kit

Includes: 1 - AP37029 Crosstie
 1 - AP37179 Hardware Kit

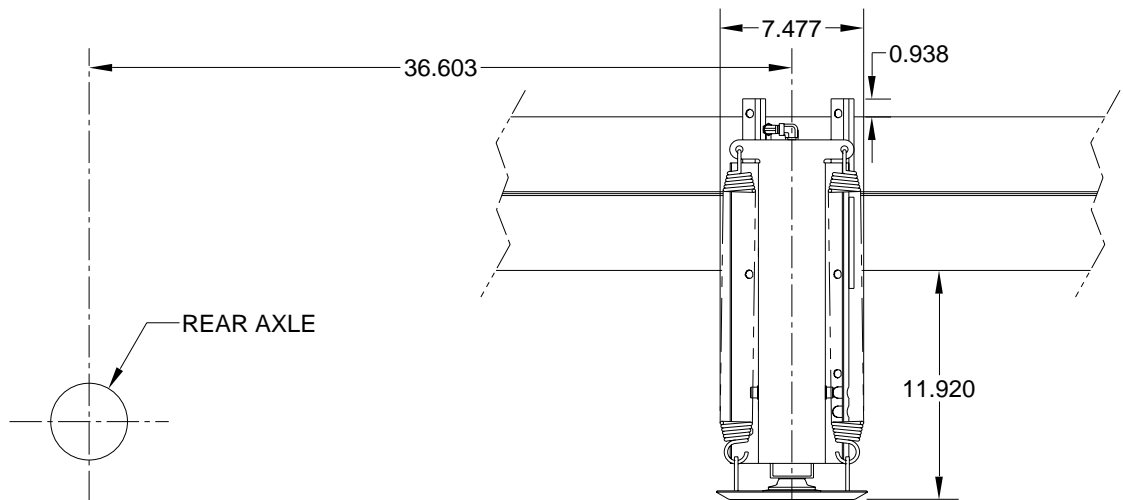
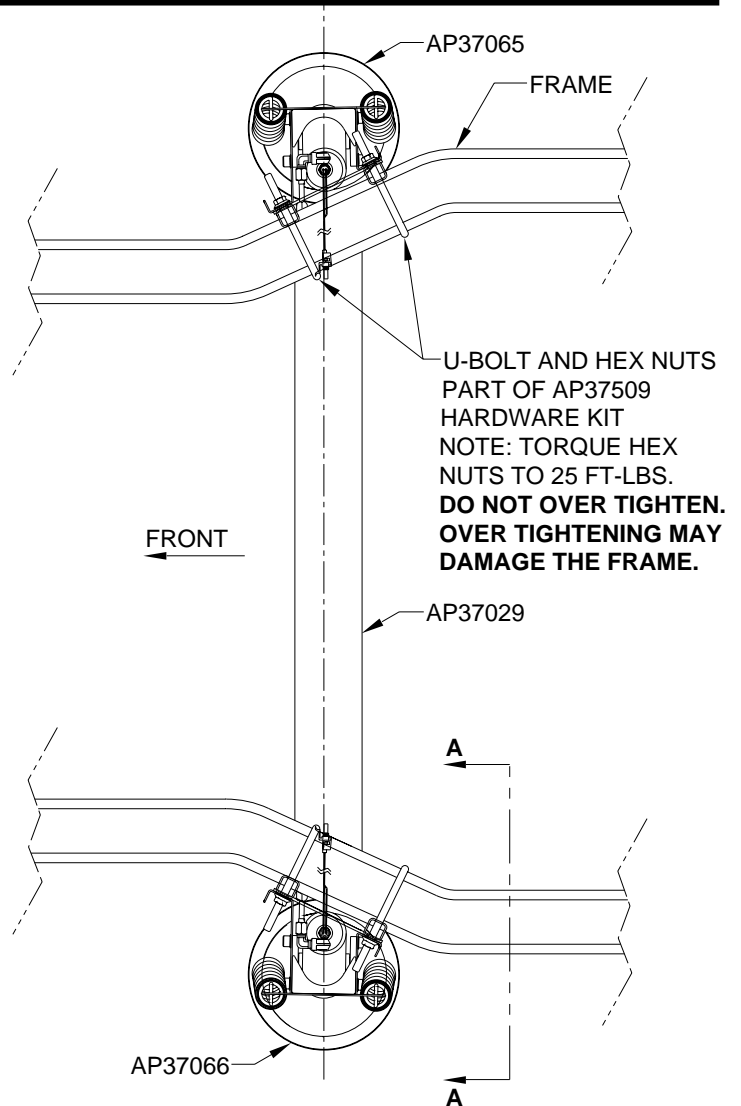
M.S.R.P.: See Item Price Listing

M.S.R.P.: See Item Price Listing

NOTE: SEE MI15.2008 SHEET FOR PRESSURE SWITCH MOUNTING INFORMATION (IF APPLICABLE).



*NOTE: CYLINDER IS SHOWN IN UPPER POSITION. IT MAY BE POSITIONED ONE INCH LOWER TO PROVIDE CLEARANCE.



NOTE: ALL DIMENSIONS ARE APPROXIMATE

CAUTION: Follow CAUTIONS in Operator's and Installation Manuals concerning working under vehicles.

MI25.1078
 16AUG07