

# Mounting Bracket Kit: Kick-Down Jacks

**Application:** For mounting Kick-Down Jacks on the FRONT OF CLASS C chassis with "C" CHANNEL FRAME RAIL. FORD or CHEVY chassis. Use behind front and rear axles.

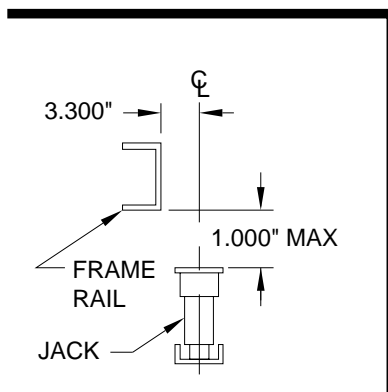
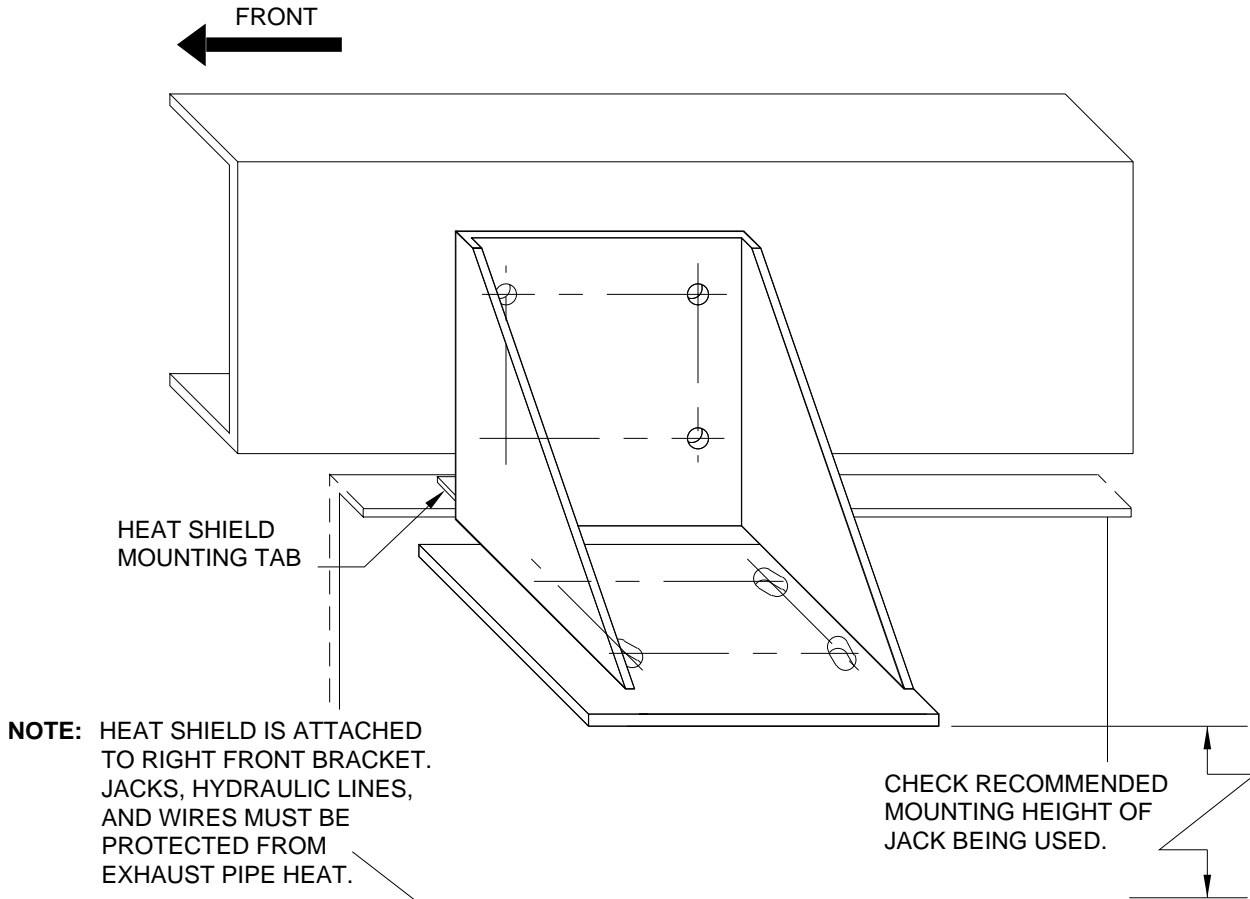
**Mfr. #:** AP0897 Bracket Kit Universal Class C

**Includes:** 2 - AP0875 Mounting Brackets

1 - AP7108 Hardware Kit

1 - P12156 Heat Shield

**M.S.R.P.:** See Item Price Listing



**CAUTION:** Follow CAUTIONS in Operator's and Installation Manuals concerning working under vehicles.

**MI25.1130**  
**16FEB01**