

Mounting Bracket Kit: Kick-Down Jacks

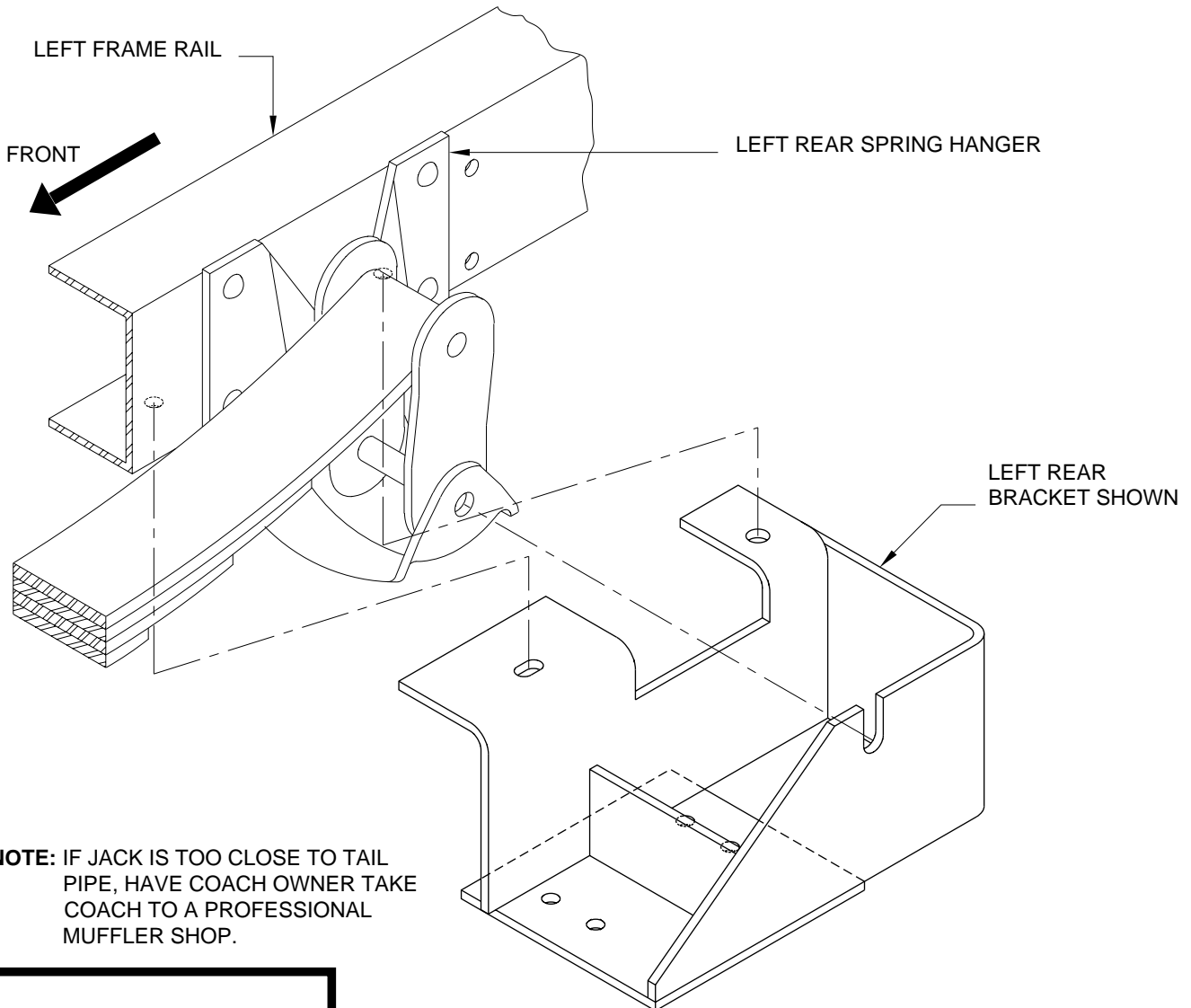
Application: For mounting Kick-Down Jacks on the REAR OF CHEVY chassis with a GVWR OF 15,000# for 1989 - 1992, 31' & 33' WINNEBAGO and ITASCA.
Rear Bracket.

Mfr. #: AP6656 Bracket Kit Chevy Rear

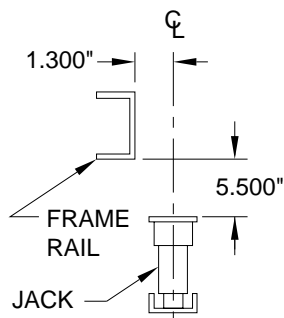
Includes: 1 - AP6658 Bracket Left Rear
1 - AP6659 Bracket Right Rear
1 - AP6657 Hardware Kit

M.S.R.P.: See Item Price Listing

NOTE: DO NOT USE THIS BRACKET UNLESS THERE IS A CHASSIS MFR'S CROSSMEMBER BY THE SPRING HANGER OR WITHIN 20" TO THE FRONT OF THE HANGER. THIS BRACKET IS NOT TO BE USED ON CHASSIS WITH THE SPRING MOUNTED UNDER THE SPRING HANGER.



NOTE: IF JACK IS TOO CLOSE TO TAIL PIPE, HAVE COACH OWNER TAKE COACH TO A PROFESSIONAL MUFFLER SHOP.



CHECK RECOMMENDED MOUNTING HEIGHT OF JACK BEING USED.

CAUTION: Follow CAUTIONS in Operator's and Installation Manuals concerning working under vehicles.

MI25.1155
11JAN01