

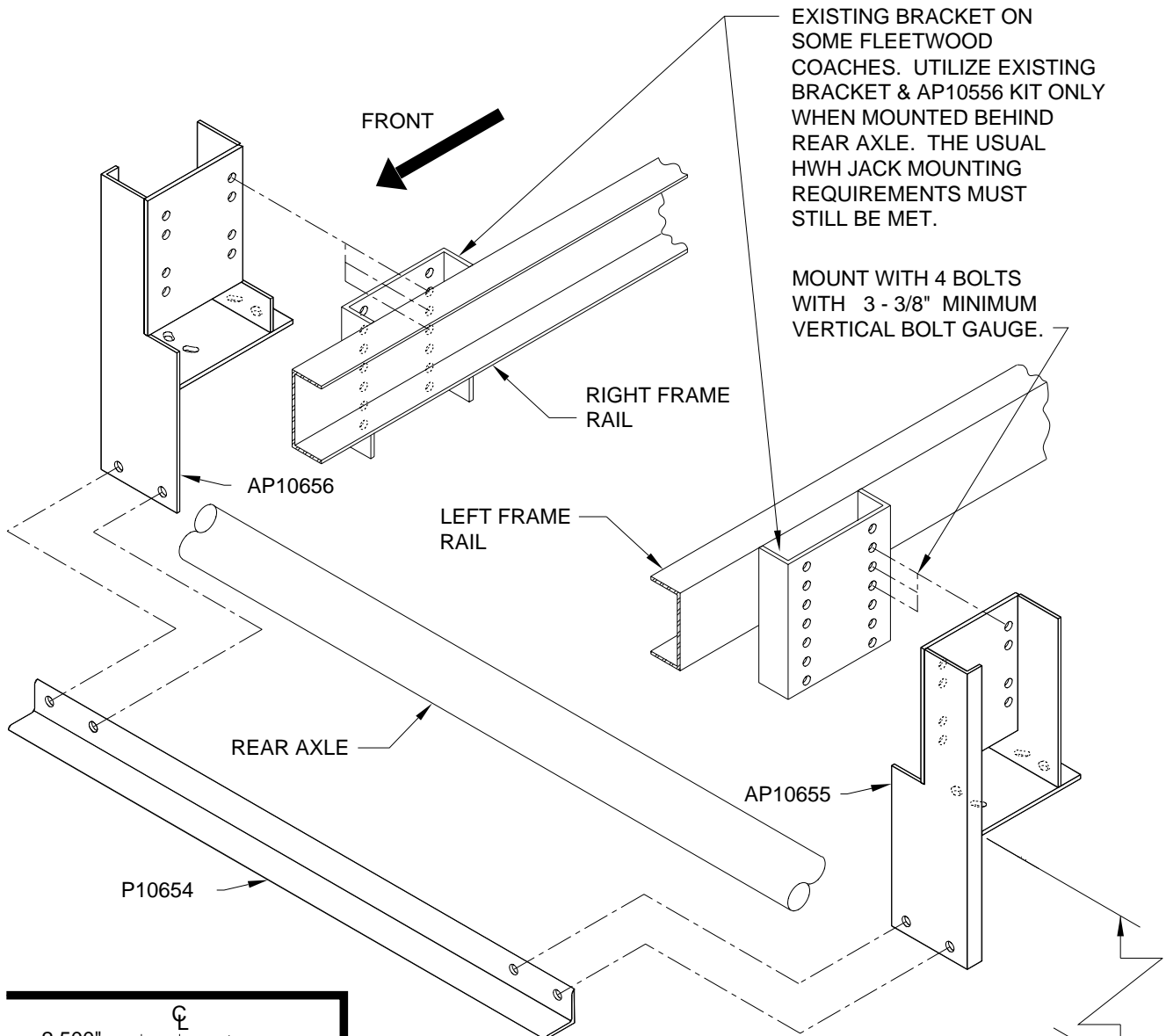
Adapter Bracket Kit: Kick-Down Jacks

Application: For mounting Kick-Down Jacks on the REAR of Fleetwoods with F53 chassis and 18,000 GVWR Workhorses. Use only behind the rear axle. Adapter bracket.

Mfr. #: AP10556 Fleetwood - Workhorse Adapter Bracket Kit

Includes: 1- AP10655 Bracket Assembly Left Hand
 1- AP10656 Bracket Assembly Right Hand
 1 - P10654 Angle
 1 - AP10557 Hardware Kit

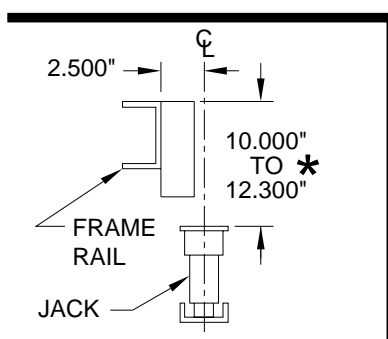
M.S.R.P.: See Item Price Listing



EXISTING BRACKET ON SOME FLEETWOOD COACHES. UTILIZE EXISTING BRACKET & AP10556 KIT ONLY WHEN MOUNTED BEHIND REAR AXLE. THE USUAL HWH JACK MOUNTING REQUIREMENTS MUST STILL BE MET.

MOUNT WITH 4 BOLTS WITH 3 - 3/8" MINIMUM VERTICAL BOLT GAUGE.

CHECK RECOMMENDED MOUNTING HEIGHT OF JACK BEING USED.



* DIMENSION FROM TOP OF RAIL TO TOP OF JACK

CAUTION: Follow CAUTIONS in Operator's and Installation Manuals concerning working under vehicles.

MI25.1195
16JUL01