

# Pivot Bracket/Cross Tie and 6,000# Cylinder Kit: Straight-Acting Jacks

**Application:** For mounting Straight-Acting Jacks on the FRONT OF CHEVY P12 chassis, 1999 and newer with 19.5" TIRES. Front Bracket.

**Mfr. #: AP16239 Pivot Bracket/Cross Tie Kit**

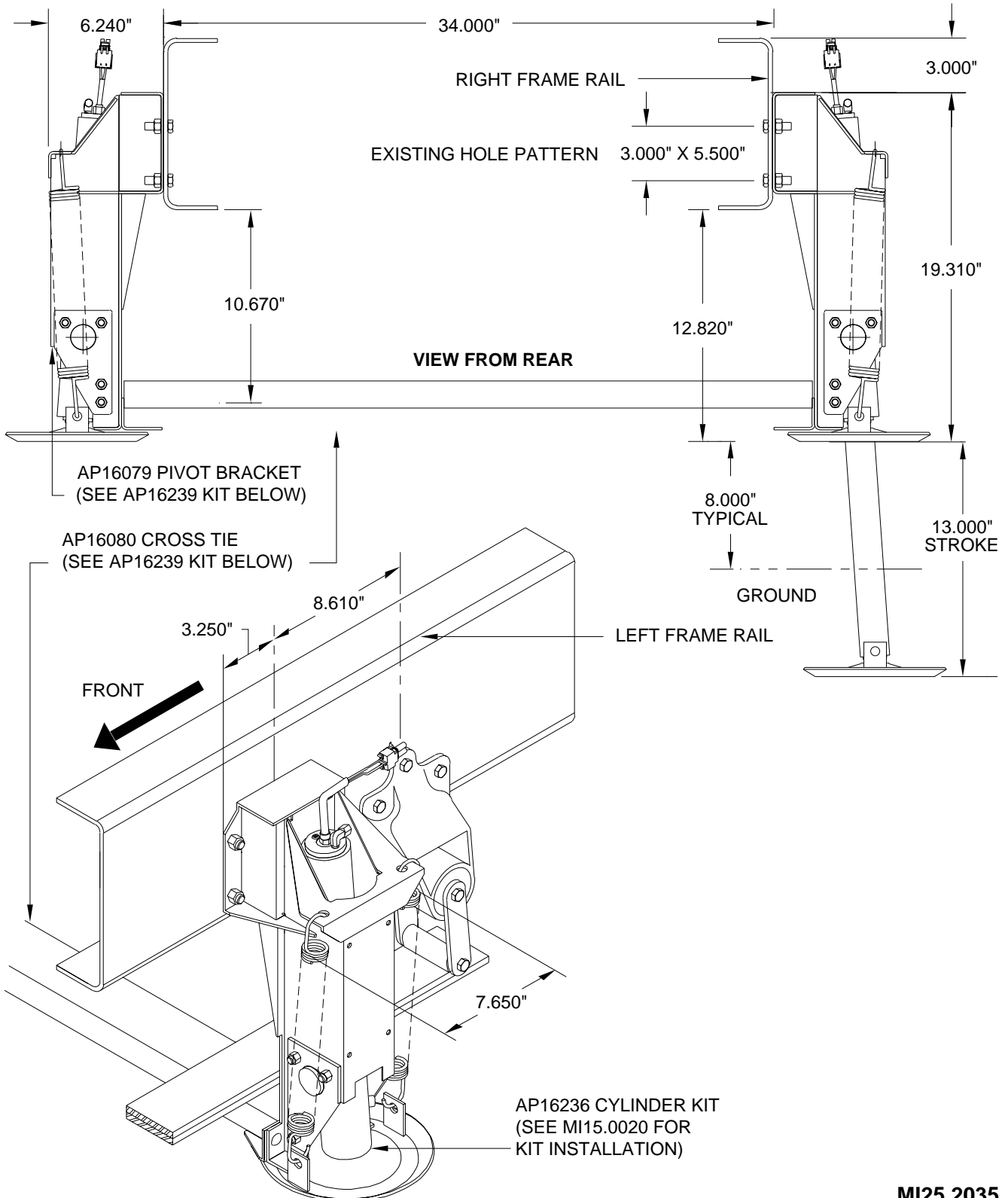
**Includes:** 2 - AP16079 Pivot Bracket  
 1 - AP16080 Cross Tie  
 1 - AP16184 Hardware Kit - 7/16"  
 1 - AP16185 Hardware Kit - 3/8"

**M.S.R.P.:** See Item Price Listing

**Mfr. #: AP16236 Cylinder Kit**

**Includes:** 2 - AP16100 Cylinder 6000 x 13"  
 4 - Springs  
 2 - Feet  
 4 - Retaining Plates with Bolts

**M.S.R.P.:** See Item Price Listing



**CAUTION:** Follow CAUTIONS in Operator's and Installation Manuals concerning working under vehicles.

**MI25.2035**  
**11JAN01**