

Pivot Bracket/Cross Tie Kit & 6,000# Cylinder Kit: Straight-Acting Jacks

Application: For mounting Straight-Acting Jacks on the FRONT OF FORD F53, 1999 thru 2003 chassis with 19.5" TIRES.

Mfr. #: AP16243 Pivot Bracket/Cross Tie Kit

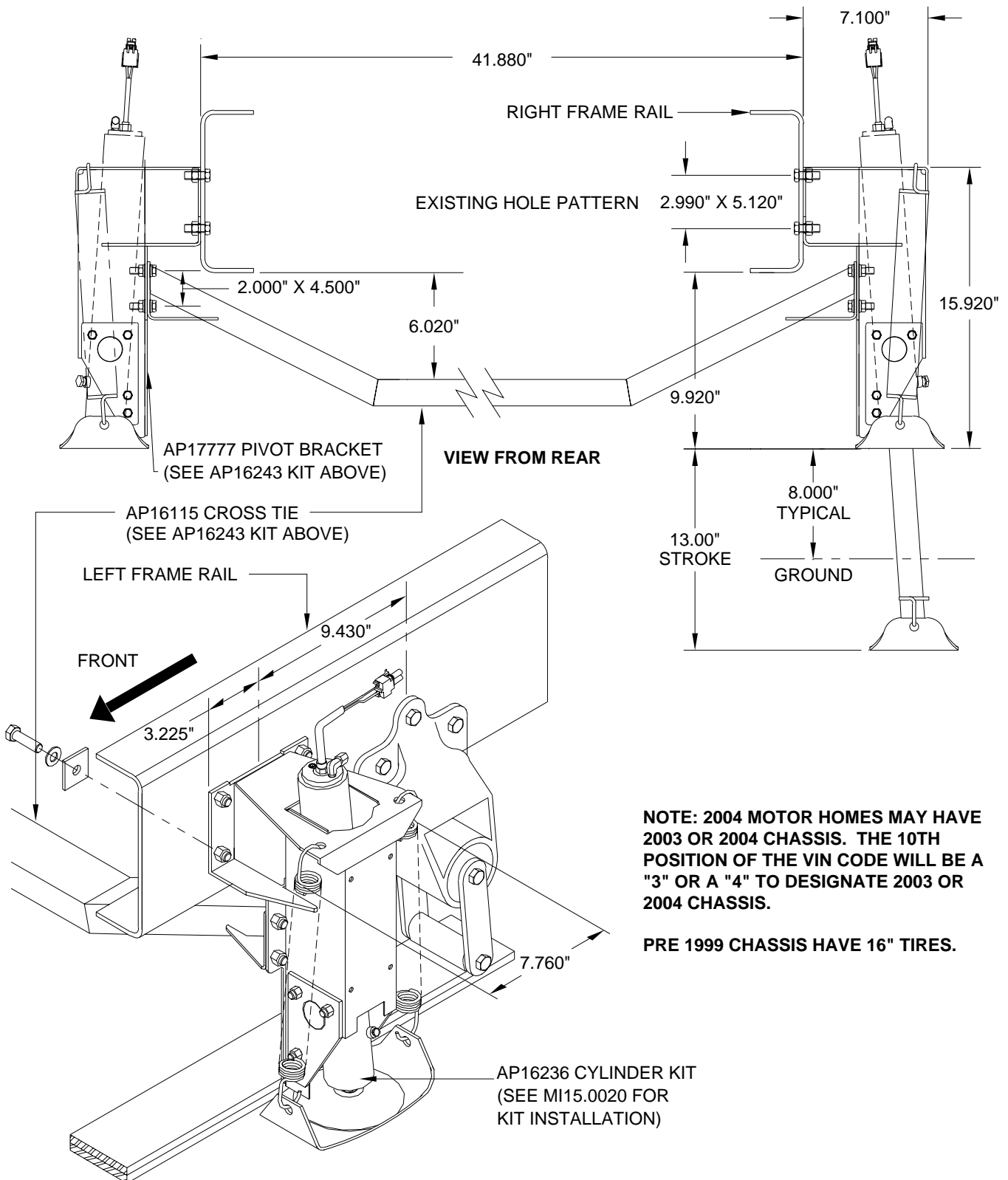
Includes: 2 - AP17777 Pivot Bracket
 1 - AP16115 Cross Tie
 1 - AP16728 Hardware Kit - 7/16"
 2 - AP16185 Hardware Kit - 3/8"

M.S.R.P.: See Item Price Listing

Mfr. #: AP16236 Cylinder Kit

Includes: 2 - AP16900 Cylinder 6,000 x 13
 4 - Springs
 2 - Feet
 4 - Retaining Plates with Bolts

M.S.R.P.: See Item Price Listing



CAUTION: Follow CAUTIONS in Operator's and Installation Manuals concerning working under vehicles.

**MI25.2050
 01OCT03**