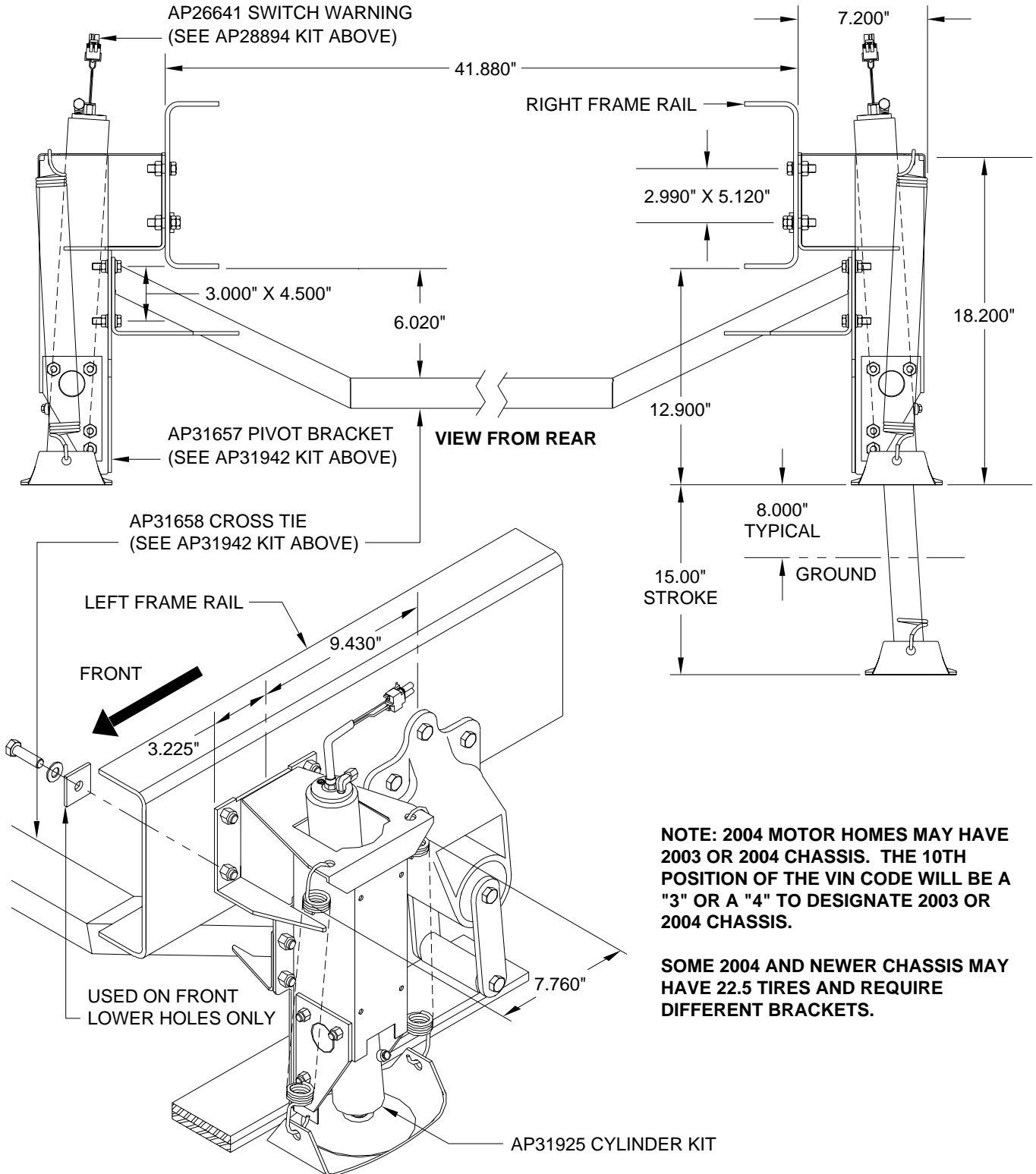


Pivot Bracket/Cross Tie Kit & 6,000# Cylinder Kit: Straight-Acting Jacks

Application: For mounting Straight-Acting Jacks on the FRONT OF FORD F53 chassis, 2004 and 2005 with 19.5" TIRES.

<p>Mfr. #: AP31942 Pivot Bracket/ Cross Tie Kit</p> <p>Includes: 2 - AP31657 Pivot Bracket 1 - AP31658 Cross Tie 1 - AP16728 Hardware Kit - 7/16" 2 - AP16185 Hardware Kit - 3/8"</p> <p>M.S.R.P.: See Item Price Listing</p>	<p>Mfr. #: AP31925 Cylinder Kit</p> <p>Includes: 2 - AP31940 Cylinder 6,000 x 15 4 - Springs 2 - Feet 4 - Retaining Plates/Bolts</p> <p>M.S.R.P.: See Item Price Listing</p>	<p>Mfr. #: AP28804 Warning Switch Kit</p> <p>Includes: 2 - AP26641 Switch Warning</p> <p>M.S.R.P.: See Item Price Listing</p>
--	---	--



NOTE: 2004 MOTOR HOMES MAY HAVE 2003 OR 2004 CHASSIS. THE 10TH POSITION OF THE VIN CODE WILL BE A "3" OR A "4" TO DESIGNATE 2003 OR 2004 CHASSIS.

SOME 2004 AND NEWER CHASSIS MAY HAVE 22.5 TIRES AND REQUIRE DIFFERENT BRACKETS.

CAUTION: Follow CAUTIONS in Operator's and Installation Manuals concerning working under vehicles.

**MI25.2052
12JAN09**