



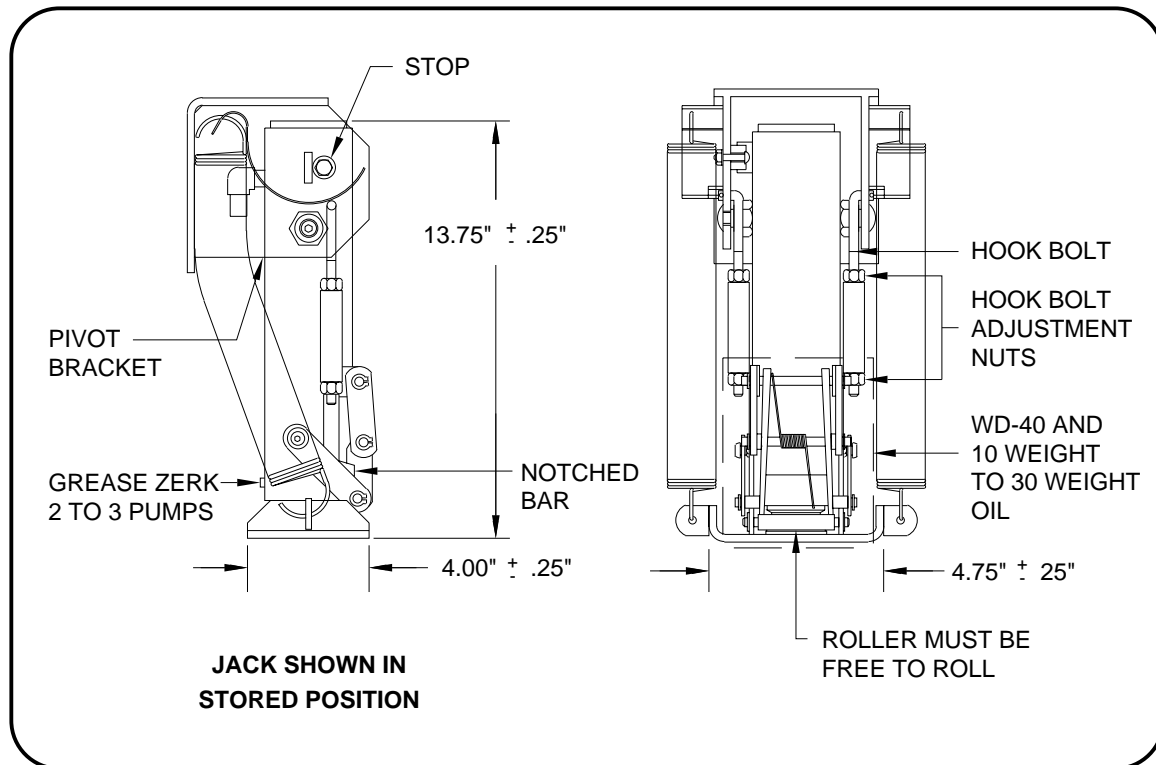
PRODUCT/SERVICE BULLETIN

ISSUE DATE: June 14, 1996

TO: All O.E.M. , Manufacturers, Installers and HWH Leveling System Owners

FROM: HWH Corporation

RE: AP1206 Jack, Mechanical Kick-Down



Regular lubrication is essential for the proper operation of this leveling jack.

Lubrication of the various pins and links on the jack is essential for proper jack operation. If the jack is not operating properly, start by washing the jack with a high pressure washer if possible, then lubricate with a light penetrating type oil such as WD-40, followed by lubricating with a heavier oil, such as 10 to 30 weight engine oil. There is a grease zerk on the rear of the jack which should have 2 or 3 pumps of grease. If the main cylinder of the jack is slow to retract: extend the jack, spray the polished rod with WD-40, manually rotate the foot of the jack as the jack retracts. Be sure the lower roller is free to roll on the polished rod as it extends. Check especially that the pin thru the lower roller and the two hook bolts are not bent. The adjustment of the two hook bolts regulate the fore and aft position of the jack when it is in the vertical position.

NOTE: It is important that both hook bolts are adjusted to the same length, watch that the horizontal pin rides equally on the edge of the notched flat bars on each side of the jack when the jack is vertical.

The stop on the side of the pivot bracket regulates the position of the jack in the stored position. If it is desired to prevent the jack from swinging completely up into the stored position, the stop should be moved into a higher hole in the pivot bracket. The stop should be adjusted so that the jack can extend in the horizontal position without hitting any obstructions behind the jack.