



INFORMATION BULLETIN

ISSUE DATE: May 7, 2015

TO: Service Centers

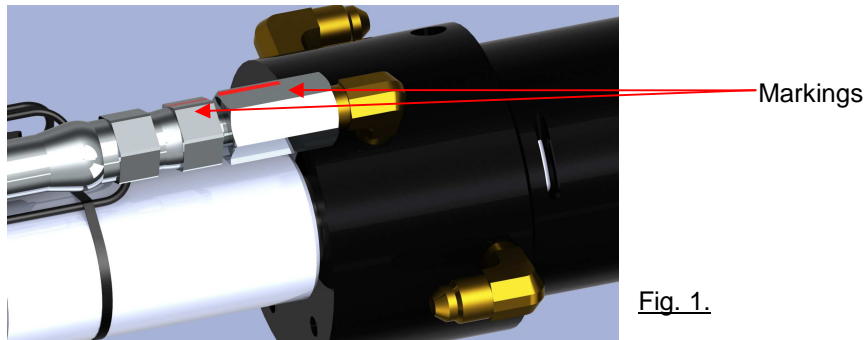
FROM: HWH Corporation

RE: Tightening Hose Ends

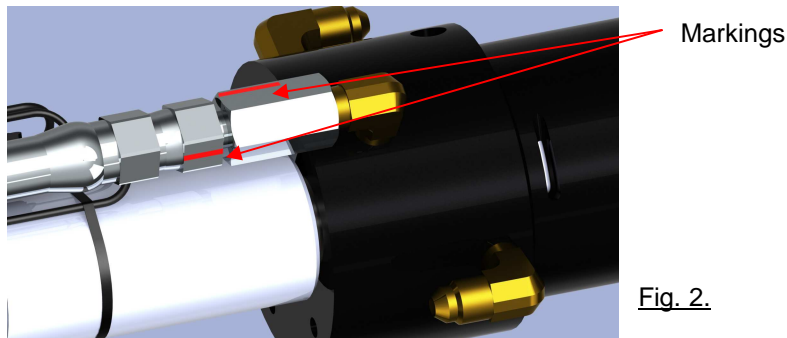
Tightening of 37° Hydraulic Fittings

Proper tightening of hose ends is important. If too loose, the connection will leak. If the connection is over tightened, (four flats or more) it will damage the hose end and fitting. The hose end and the fitting will have to be replaced. Over tightening can cause the swivel end to separate from a hose end.

Parker also recommends that whenever possible, the step of marking the nut position relative to the body should be done. This step serves as a quick quality assurance check for joint tightening. To do this, at the initial wrench resistance position, make a longitudinal mark on one of the flats of the nut and continue it on to the mating connector with a permanent type ink marker as shown in Fig. 1.



Tighten the hose swivel approximately two flats as shown in Fig. 2.



If Hose is removed and reinstalled, use the original mark on the nut and tighten it just past two flats. See Fig. 3.

