

HWH® PARTS MANUAL
SUB TABLE OF CONTENTS
JACK | STRAIGHT-ACTING | SPRING-RETRACT | NON-PIVOTING CYLINDER
(Filename: MR25.XLS) (Revised: 16NOV15)

[ML11428-25 \(Click to View Entire Section | PDF File | No Links | MR25-MR25Z\)](#)

- ▶ [6,000 lb. Lift Capacity](#)
- ▶ [9,000 lb. Lift Capacity](#)
- ▶ [10,000 lb. Lift Capacity](#)
- ▶ [12,000 lb. Lift Capacity](#)
- ▶ [14,000 lb. Lift Capacity](#)
- ▶ [16,000 lb. Lift Capacity](#)
- ▶ [18,000 lb. Lift Capacity](#)
- ▶ [24,000 lb. Lift Capacity](#)

6,000 lb. Lifting Capacity

	AP0130	MR25.2650
	AP1334	MR25.2750
	AP7729	MR25.2550
	AP7786	MR25.2500
	AP7787	MR25.2500
	AP7900	MR25.2600
	AP8082	MR25.2700
	AP8512	MR25.2625
	AP13326	MR25.2555
	AP20975	MR25.2650
	AP34331	MR25.2705
	AP34499	MR25.2605
	AP34501	MR25.2505
	AP34502	MR25.2505
	AP34503	MR25.2560
	AP36400	MR25.2655
	AP36514	MR25.2655
	AP36945	MR25.2505
	AP36946	MR25.2505
	AP36952	MR25.2705
	AP38530	MR25.2650
	AP40490	MR25.2560
	AP44322	MR25.2800
	AP44445	MR25.2800
	AP44594	MR25.2805
	AP44595	MR25.2805
	AP44659	MR25.2810
	AP45076	MR25.2710
	AP45077	MR25.2710
	AP45078	MR25.2710
	AP46762	MR25.2813
	AP46763	MR25.2813A
	AP46766	MR25.2820
	AP46767	MR25.2820
	AP48086	MR25.2813B
	AP48138	MR25.2813
	AP50022	MR25.2813C

9,000 lb. Lifting Capacity

	AP9550	MR25.3100
	AP9587	MR25.3110
	AP12275	MR25.3112
	AP12276	MR25.3112
	AP20875	MR25.3111
	AP39148	MR25.3105
	AP39149	MR25.3107
	AP44323	MR25.3200
	AP44447	MR25.3200
	AP44661	MR25.3205
	AP45588	MR25.3115
	AP45657	MR25.3213A
	AP45660	MR25.3230
	AP46747	MR25.3213
	AP47071	MR25.3213B
	AP48088	MR25.3213C
	AP48140	MR25.3213
	AP49585	MR25.3235
	AP49586	MR25.3213D
	AP49587	MR25.3230A
	AP49588	MR25.3235A
	AP49759	MR25.3230
	AP50023	MR25.3213E

10,000 lb. Lifting Capacity

	AP0285	MR25.4100
	AP0360	MR25.4200
	AP3326	MR25.4050
	AP9438	MR25.4150
	AP15183	MR25.4100
	AP34500	MR25.4205
	AP34941	MR25.4205
	AP36376	MR25.4210
	AP36805	MR25.4215
	AP36806	MR25.4215
	AP36807	MR25.4210

12,000 lb. Lifting Capacity

	AP3897	MR25.5010
	AP3898	MR25.5020
	AP4154	MR25.5015
	AP9513	MR25.5110
	AP9810	MR25.5100
	AP45649	MR25.5130A
	AP45650	MR25.5115A
	AP46748	MR25.5115A
	AP46995	MR25.5115B
	AP46996	MR25.5115C
	AP49471	MR25.5115
	AP49472	MR25.5130
	AP49515	MR25.5115D
	AP49516	MR25.5130B
	AP50131	MR25.5130
	AP50132	MR25.5130C

14,000 lb. Lifting Capacity

	AP29888	MR25.5500
	AP29920	MR25.5500

16,000 lb. Lifting Capacity

	AP1301	MR25.6100
	AP12277	MR25.6105
	AP20889	MR25.6110
	AP45692	MR25.6115A
	AP46749	MR25.6115A
	AP49490	MR25.6115
	AP49520	MR25.6115B

18,000 lb. Lifting Capacity

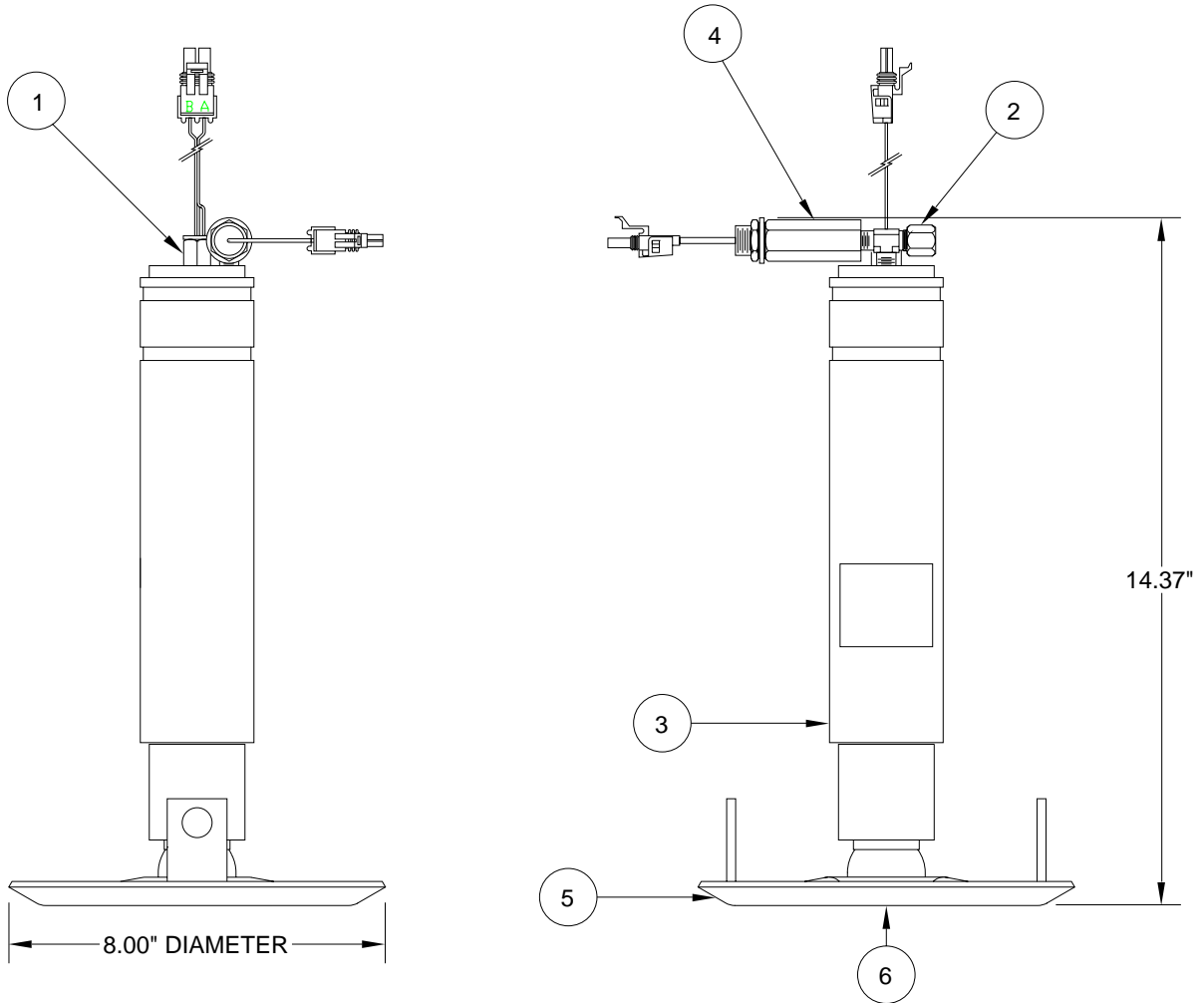
	AP17855	MR25.7000
	AP34559	MR25.7000
	AP36127	MR25.7005
	AP37136	MR25.7005

24,000 lb. Lifting Capacity

	AP0465	MR25.8100
	AP48520	MR25.8105
	AP50072	MR25.8106
	AP50831	MR25.8107
	AP50834	MR25.8108

AP52410 - STRAIGHT-ACTING JACK, FIXED

**4,000 # CAPACITY; 1.750" OUTER ROD DIA.; 1.375" INNER ROD DIA.; 13.00" STROKE
WITH MAGNETIC WARNING SWITCH AND PRESSURE SWITCH; BOLT-ON FOOT**



ITEM	PART	QTY	DESCRIPTION
1	RAP90968	1	SWITCH WARNING MAGNETIC GRAY
2	RF0734	1	MALE TEE SPECIAL
3	RAP93581	1	CYL. ASSY. 4000 x 13" (INCLUDES ITEM 2 ONLY)

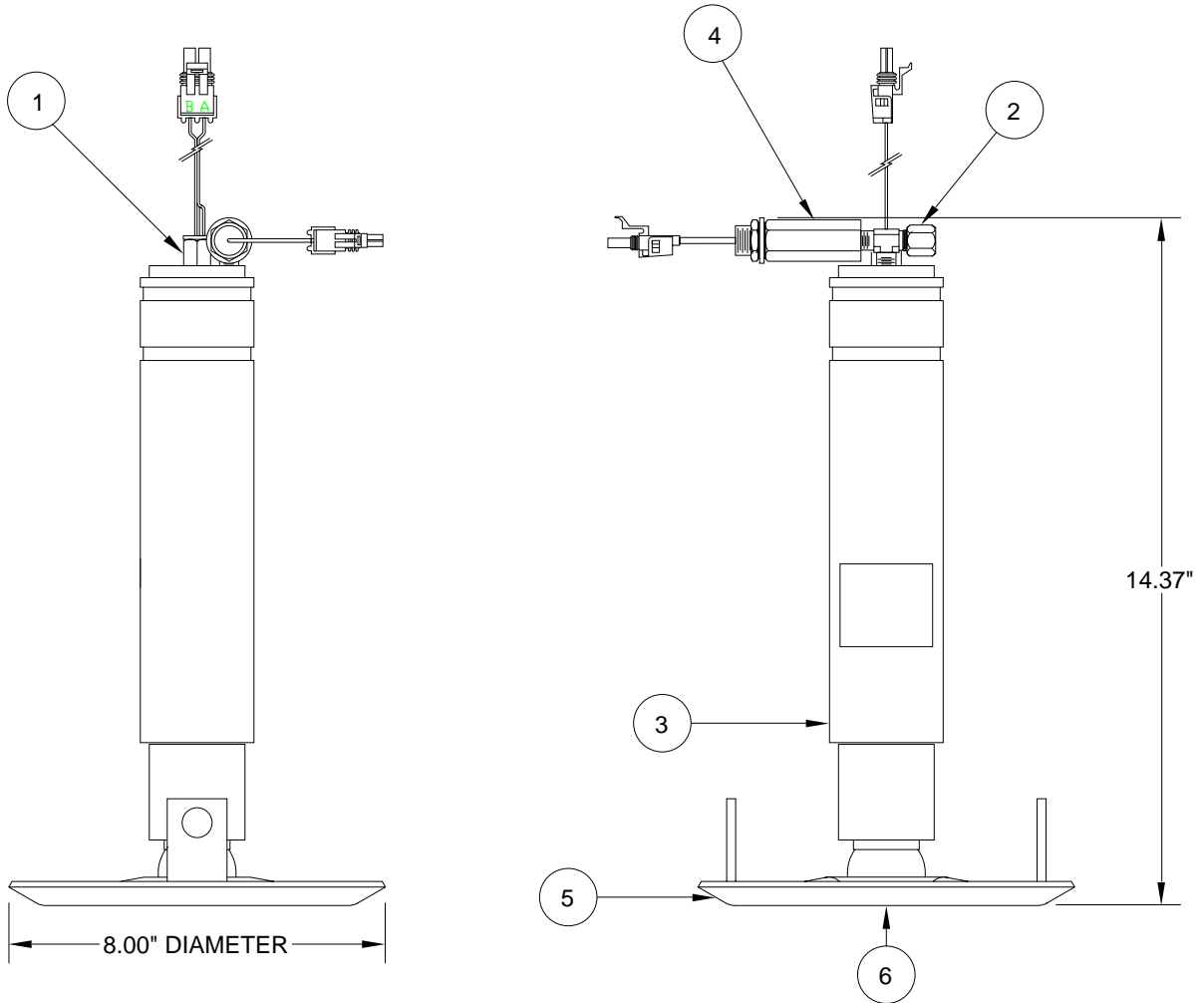
ITEM	PART	QTY	DESCRIPTION
4	RAP8003	1	SWITCH PRESSURE
5	RAP92048	1	FOOT 8.00" DIAMETER (INCLUDES ITEM 6)
6	RAP93768	1	SPHERE & STUD KIT FOR FOO

NOTE: INDENTED ITEMS ARE INCLUDED WITH PRECEDING ITEM.

**MR25.1000
30MAR20**

AP52410 - STRAIGHT-ACTING JACK, FIXED

**4,000 # CAPACITY; 1.750" OUTER ROD DIA.; 1.375" INNER ROD DIA.; 13.00" STROKE
WITH MAGNETIC WARNING SWITCH AND PRESSURE SWITCH; BOLT-ON FOOT**



ITEM	PART	QTY	DESCRIPTION
1	RAP90968	1	SWITCH WARNING MAGNETIC GRAY
2	RF0734	1	MALE TEE SPECIAL
3	RAP93581	1	CYL. ASSY. 4000 x 13" (INCLUDES ITEM 2 ONLY)

ITEM	PART	QTY	DESCRIPTION
4	RAP8003	1	SWITCH PRESSURE
5	RAP92048	1	FOOT 8.00" DIAMETER (INCLUDES ITEM 6)
6	RAP93768	1	SPHERE & STUD KIT FOR FOO

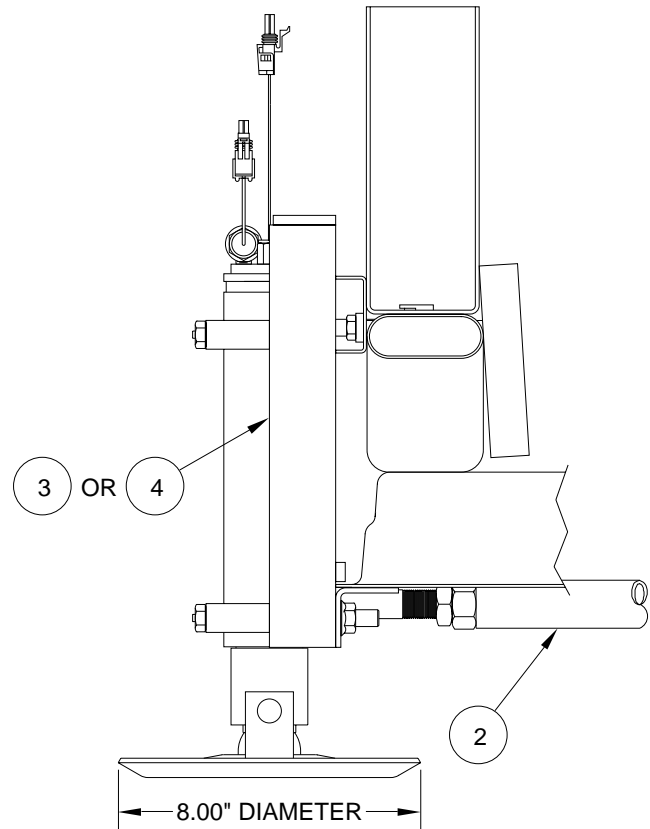
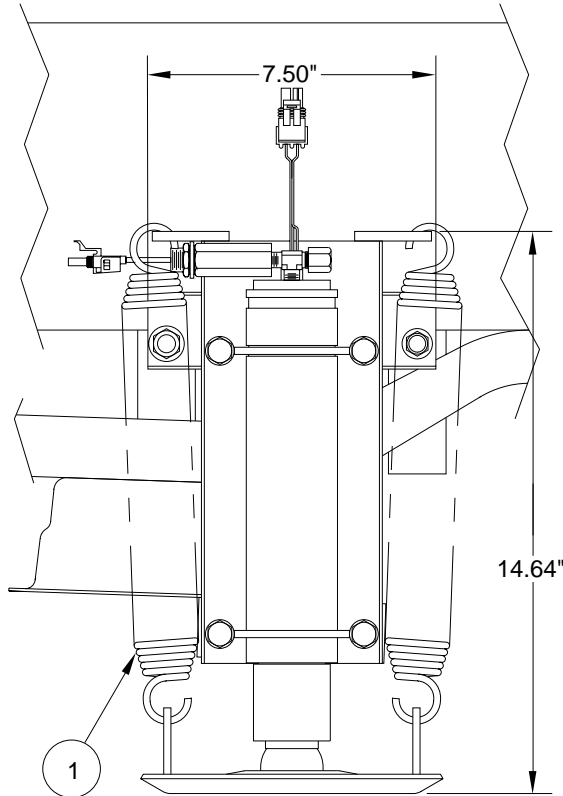
NOTE: INDENTED ITEMS ARE INCLUDED WITH PRECEDING ITEM.

**MR25.1000
30MAR20**

AP51904 FRONT JACK KIT

**4,000 # CAPACITY; 1.750" OUTER ROD DIA.; 1.375" INNER ROD DIA.; 13.00" STROKE
WITH MAGNETIC WARNING SWITCH AND PRESSURE SWITCH; BOLT-ON FOOT**

FOR BASIC JACK INFORMATION INCLUDING CYLINDER AND SWITCHES OR JACK DIMENSIONS
DIMENSIONS SEE PAGE [MR25.1000](#)
LEFT SIDE JACK SHOWN, RIGHT SIDE SIMILAR.



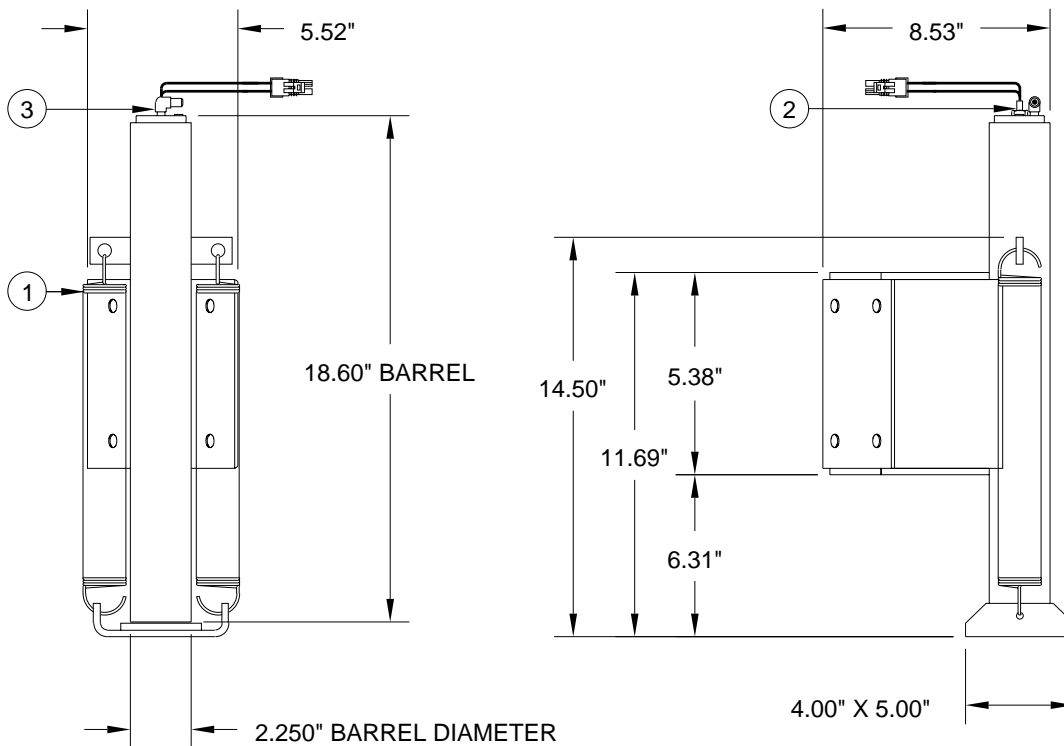
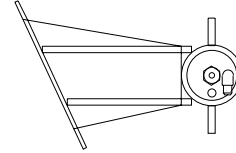
USED PRIMARILY ON THE FRONT OF 2008 AND LATER DODGE SPRINTER 3500 CHASSIS WITH V6 ENGINE.

ITEM	PART	QTY	DESCRIPTION	ITEM	PART	QTY	DESCRIPTION
1	R37135	1	SPRING KIT 1.500" X 11.62"	4	RAP93626	1	JACK MTG BRKT KIT - LH
		2	SPRING 1.500" X 11.62"			1	BRACKET WELDMENT
2	RAP93624	1	CROSS TIE KIT	1		1	INNER BRACKET
		1	CROSSTIE ANGLE-RH	1		1	OUTER BRACKET
		1	CROSSTIE ANGLE-LH	1		1	CLAMP WELDMENT
		1	CROSSTIE WELDMENT	1		1	MTG CHANNEL
		4	7/16-14 x 4.5" BOLT	1		1	WASHER 3/4" OD x 7/16" IC
		4	7/16" HEX NUT	1		1	3/8-16 x 4" BOLT
		1	3/4" JAM NUT	2		2	7/16-14 x 2.25" BOLT
		1	3/4" JAM NUT LH	1		1	3/8" WHIZ NUT
				1		1	3/8" HEX NUT
3	RAP93625	1	JACK MTG BRKT KIT - RH				
		1	BRACKET WELDMENT				
		1	INNER BRACKET				
		1	OUTER BRACKET				
		2	MTG CHANNEL				
		2	WASHER 3/4" OD x 7/16" ID				
		2	3/8-16 x 4" BOLT				
		2	7/16-14 x 2.25" BOLT				
		2	3/8" WHIZ NUT				

NOTE : INDENTED ITEMS ARE INCLUDED WITH PRECEDING ITEM.

**MR25.1000A
09SEP14**

AP7786 - RAP7786
STRAIGHT - ACTING JACK, FIXED, RH
6,000 # CAPACITY; 1.625" ROD DIAMETER; 14.00" STROKE
USED ON FRONT OF TRAVEL TRAILERS



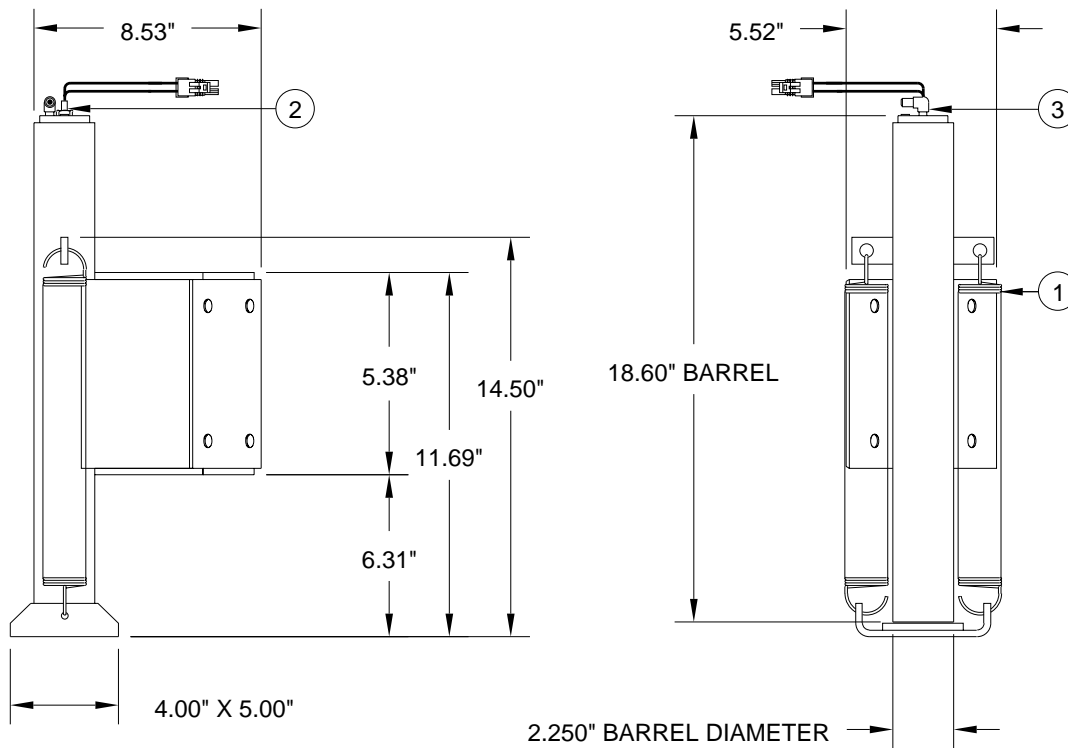
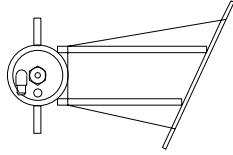
ITEM	PART	QTY	DESCRIPTION
	RAP7786		JACK 6,000 # X 14" FIXED RH (REPLACES AP7786)
1	R1171	1	SPRING KIT 1-5/8" X 12"
		2	SPRING 1-5/8" X 12"

ITEM	PART	QTY	DESCRIPTION
2	RAP1008	1	SWITCH WARNING 2-WIRE OBS. - REPLACE WITH RAP26641 SWITCH AND RAP37981 ADAPTER
3	RF1453	1	ELBOW 1/8" X 1/4"

NOTE: INDENTED ITEMS ARE INCLUDED WITH PRECEDING ITEM.

MR25.2500
03SEP20

AP7787 - RAP7787
STRAIGHT - ACTING JACK, FIXED, LH
6,000 # CAPACITY; 1.625" ROD DIAMETER; 14.00" STROKE
USED ON FRONT OF TRAVEL TRAILERS



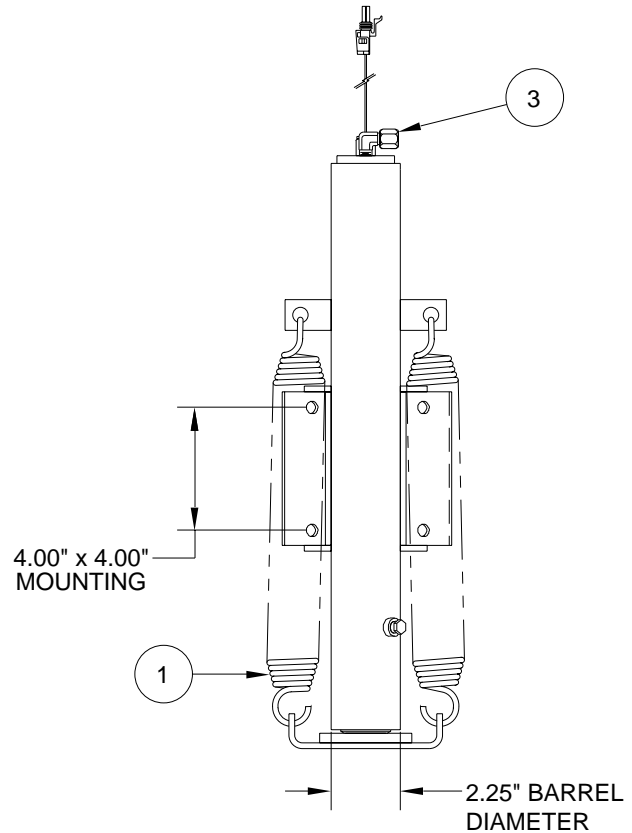
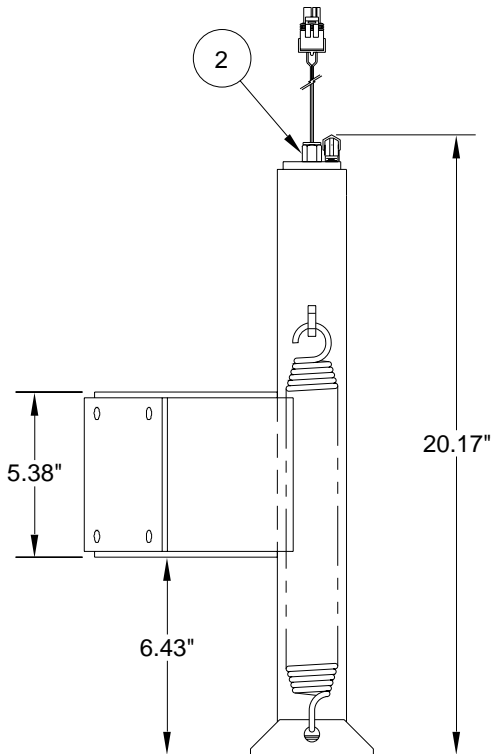
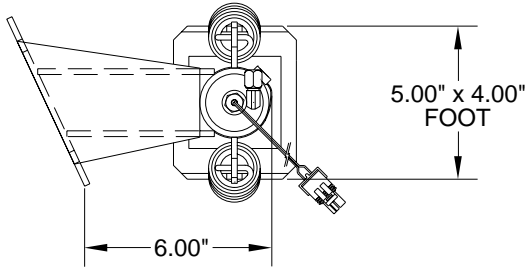
ITEM	PART	QTY	DESCRIPTION
	RAP7787		JACK 6,000 # X 14" FIXED LH (REPLACES AP7787)
1	R1171	1	SPRING KIT 1-5/8" X 12"
		2	SPRING 1-5/8" X 12"

ITEM	PART	QTY	DESCRIPTION
2	RAP1008	1	SWITCH WARNING 2-WIRE OBS. - REPLACE WITH RAP26641 SWITCH AND RAP37981 ADAPTER
3	RF1453	1	ELBOW 1/8" X 1/4"

NOTE: INDENTED ITEMS ARE INCLUDED WITH PRECEDING ITEM.

MR25.2500A
03SEP20

AP34501 - RAP34501
STRAIGHT-ACTING JACK, FIXED - RH
6,000 # CAPACITY; 1.625" ROD DIAMETER; 14.00" STROKE
USED ON FRONT OF TRAVEL TRAILERS



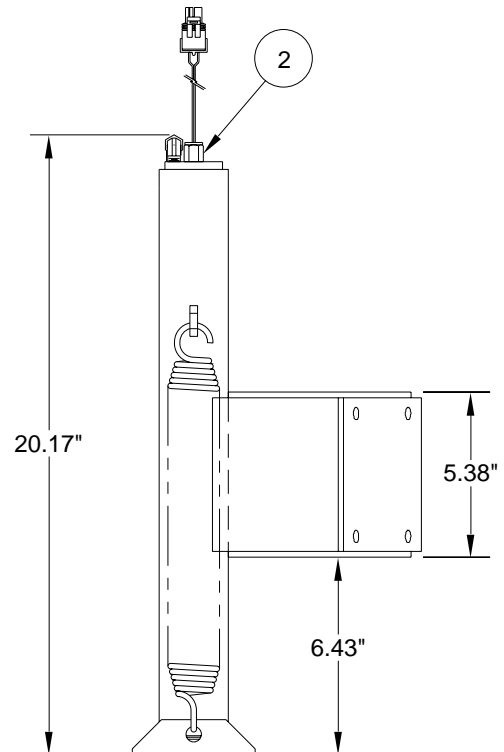
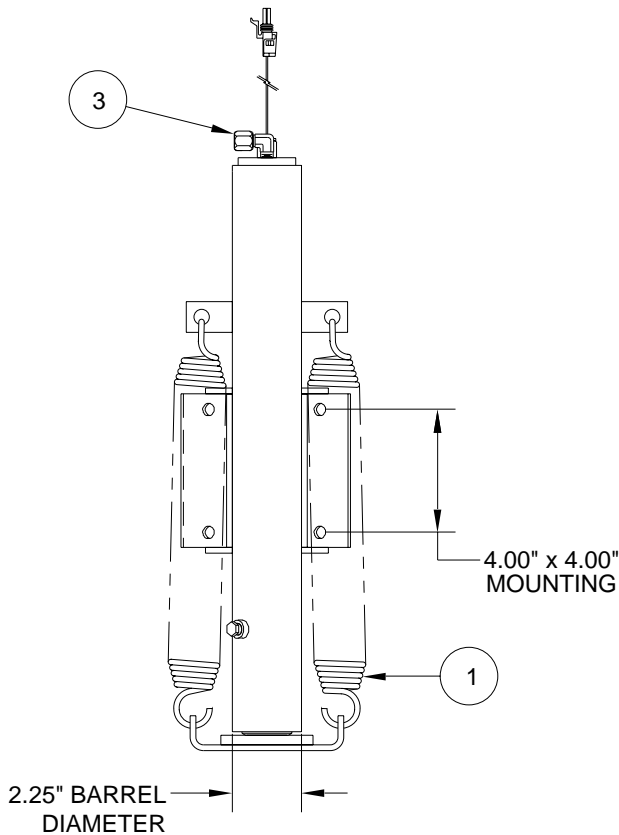
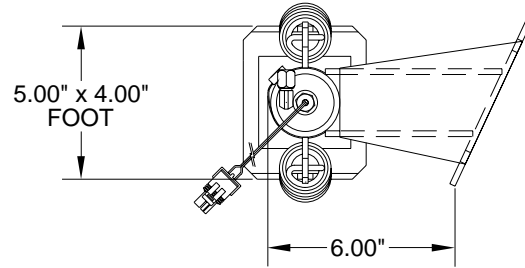
ITEM	PART	QTY	DESCRIPTION
	RAP34501		JACK 6,000 # X 14" FIXED RH (REPLACES AP34501/ RAP92436)
1	R1171	1	SPRING KIT 1-5/8" X 12"
		2	SPRING 1-5/8" X 12"

ITEM	PART	QTY	DESCRIPTION
2	RAP26641	1	SWITCH WARNING MAGNETIC GRAY
3	RF1453	1	ELBOW 1/8" X 1/4"

NOTE: INDENTED ITEMS ARE INCLUDED WITH PRECEDING ITEM.

MR25.2505
19AUG20

AP34502 - RAP34502
STRAIGHT-ACTING JACK, FIXED - LH
6,000 # CAPACITY; 1.625" ROD DIAMETER; 14.00" STROKE
USED ON FRONT OF TRAVEL TRAILERS



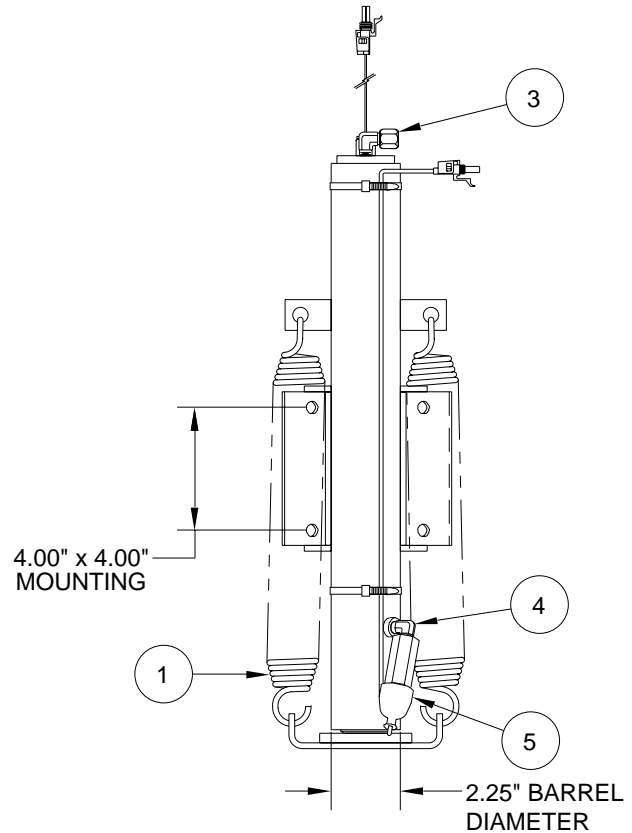
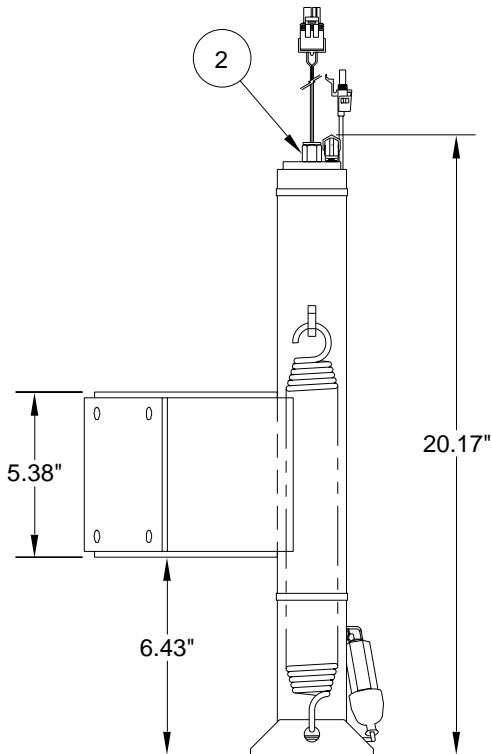
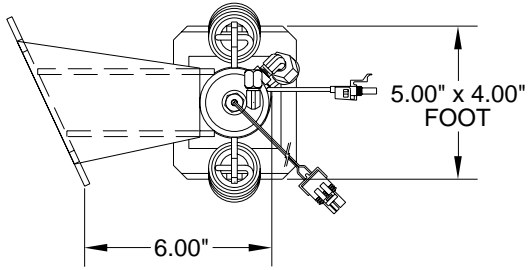
ITEM	PART	QTY	DESCRIPTION
	RAP34502		JACK 6,000 # X 14" FIXED LH (REPLACES AP34502/RAP92437)
1	R1171	1 2	SPRING KIT 1-5/8" X 12" SPRING 1-5/8" X 12"

ITEM	PART	QTY	DESCRIPTION
2	RAP26641	1	SWITCH WARNING MAGNETIC GRAY
3	RF1453	1	ELBOW 1/8" X 1/4"

NOTE: INDENTED ITEMS ARE INCLUDED WITH PRECEDING ITEM.

MR25.2505A
19AUG20

AP36945 - RAP36945
STRAIGHT-ACTING JACK, FIXED - RH
6,000 # CAPACITY; 1.625" ROD DIAMETER; 14.00" STROKE
USED ON FRONT OF TRAVEL TRAILERS



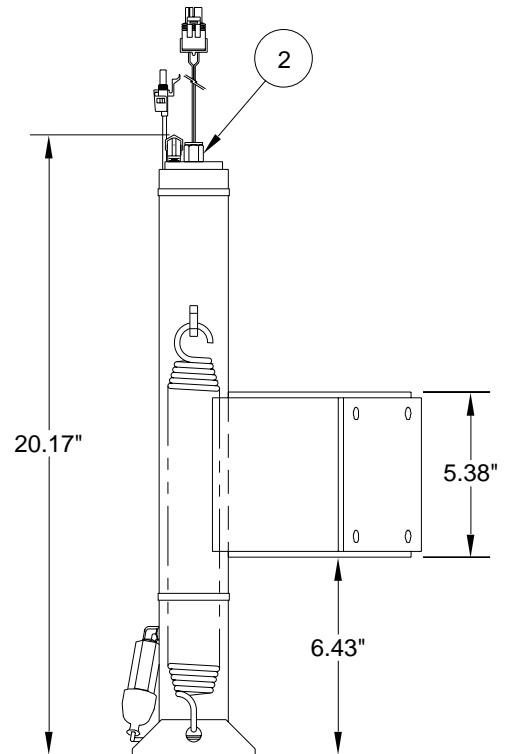
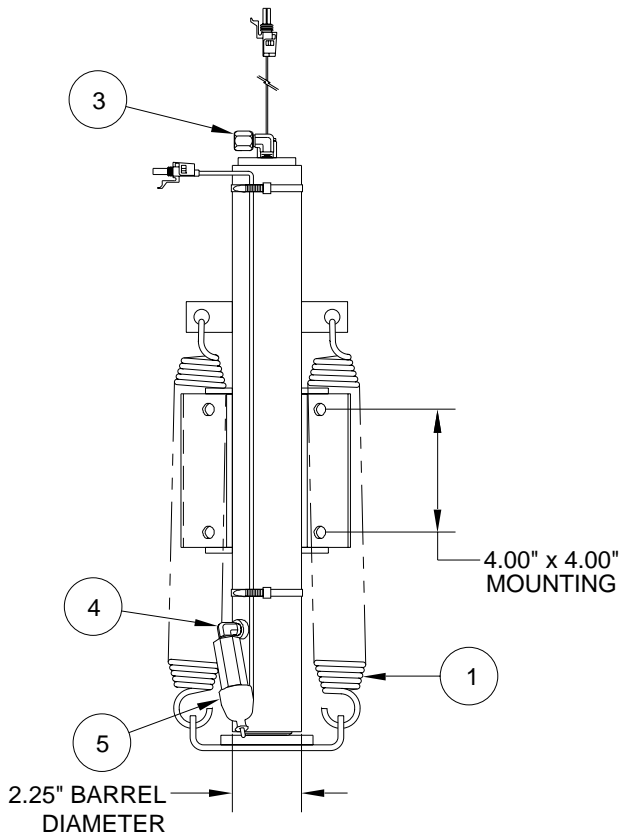
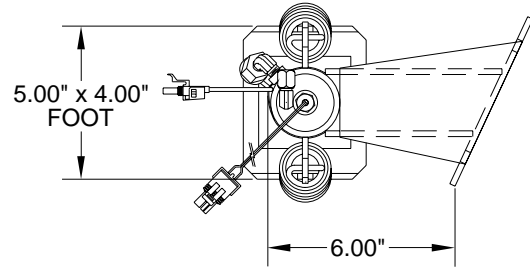
ITEM	PART	QTY	DESCRIPTION
	RAP36945		JACK 6,000 # X 14" FIXED RH (REPLACES AP36945/ RAP92438)
1	R1171	1	SPRING KIT 1-5/8" X 12"
		2	SPRING 1-5/8" X 12"

ITEM	PART	QTY	DESCRIPTION
2	RAP26641	1	SWITCH WARNING MAGNETIC GRAY
3	RF1453	1	ELBOW 1/8" X 1/4"
4	RF8143	1	ELBOW 1/8" X 1/8"
5	RAP8003	1	SWITCH PRESSURE

NOTE: INDENTED ITEMS ARE INCLUDED WITH PRECEDING ITEM.

MR25.2505B
19AUG20

AP36946 - RAP36946
STRAIGHT-ACTING JACK, FIXED - LH
6,000 # CAPACITY; 1.625" ROD DIAMETER; 14.00" STROKE
USED ON FRONT OF TRAVEL TRAILERS

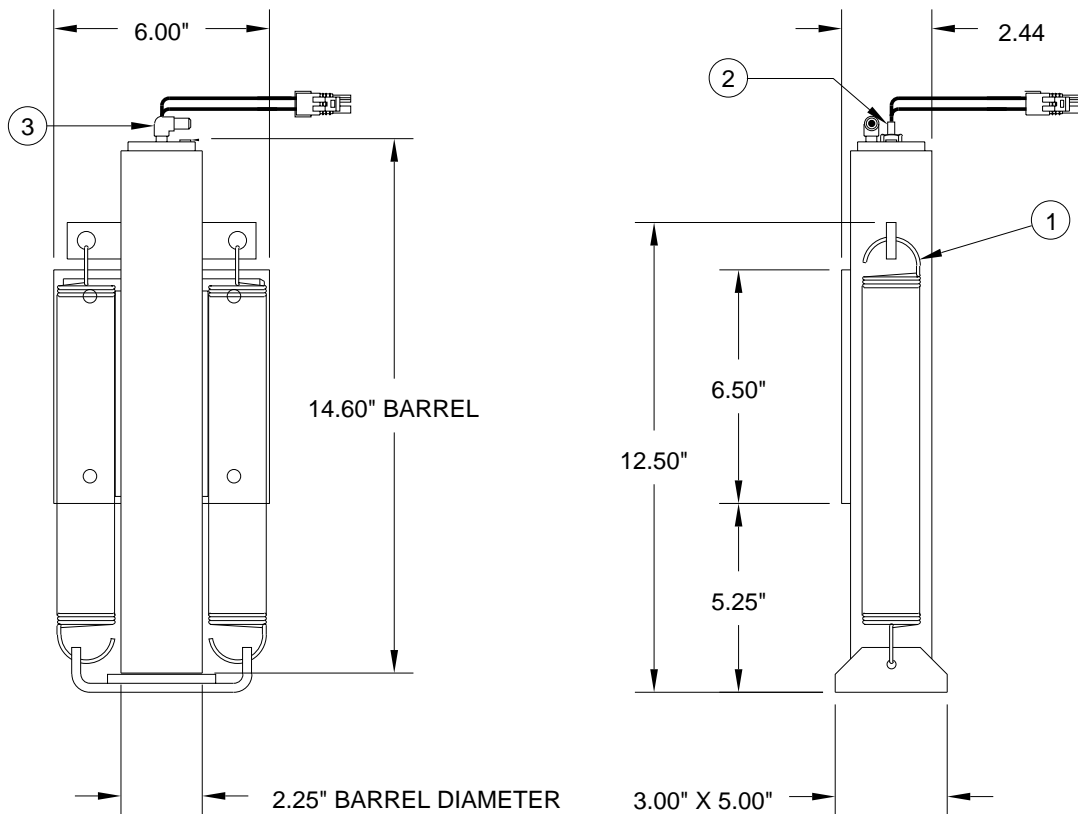


ITEM	PART	QTY	DESCRIPTION
	RAP36946		JACK 6,000 # X 14" FIXED LH (REPLACES AP36946/ RAP92439)
1	R1171	1	SPRING KIT 1-5/8" X 12"
		2	SPRING 1-5/8" X 12"

ITEM	PART	QTY	DESCRIPTION
2	RAP26641	1	SWITCH WARNING MAGNETIC GRAY
3	RF1453	1	ELBOW 1/8" X 1/4"
4	RF8143	1	ELBOW 1/8" X 1/8"
5	RAP8003	1	SWITCH PRESSURE

NOTE: INDENTED ITEMS ARE INCLUDED WITH PRECEDING ITEM.

**AP7729 - OBSOLETE
STRAIGHT - ACTING JACK, FIXED
6,000 # CAPACITY; 1.625" ROD DIAMETER; 10.00" STROKE
USED ON REAR OF TRAVEL TRAILERS**



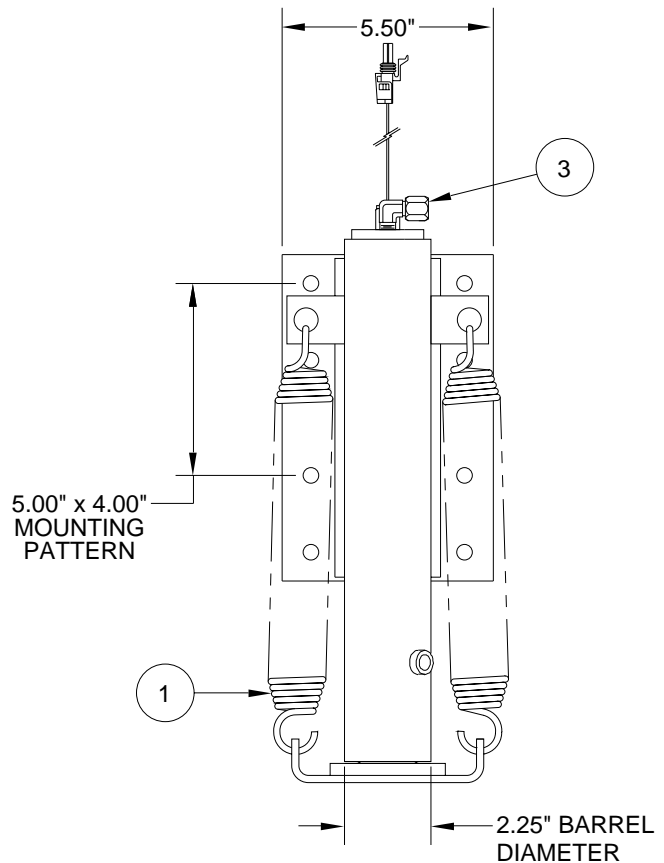
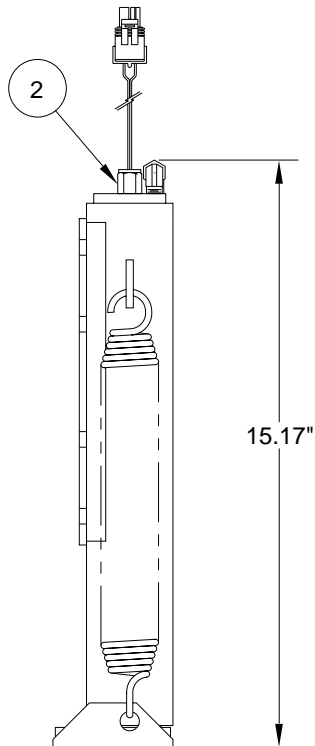
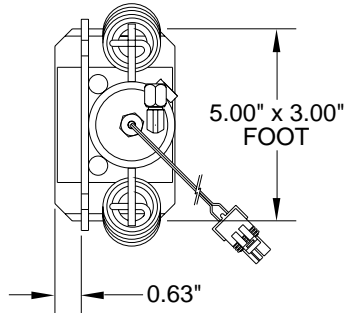
ITEM	PART	QTY	DESCRIPTION
	RAP7729		OBSOLETE JACK SEE RAP13326
1	R6824	1	SPRING KIT 1-1/2" X 10"
		2	SPRING 1-1/2" X 10"

ITEM	PART	QTY	DESCRIPTION
2	RAP1008	1	SWITCH WARNING 2-WIRE OBS. - REPLACE WITH RAP26641 SWITCH AND RAP37981 ADAPTER
3	RF1453	1	ELBOW 1/8" X 1/4"

NOTE: INDENTED ITEMS ARE INCLUDED WITH PRECEDING ITEM.

**MR25.2550
03SEP20**

AP13326 - RAP13326
STRAIGHT - ACTING JACK, FIXED
6,000 # CAPACITY; 1.625" ROD DIAMETER; 10.00" STROKE
USED ON REAR OF TRAVEL TRAILERS AND FIFTH WHEEL COACHES



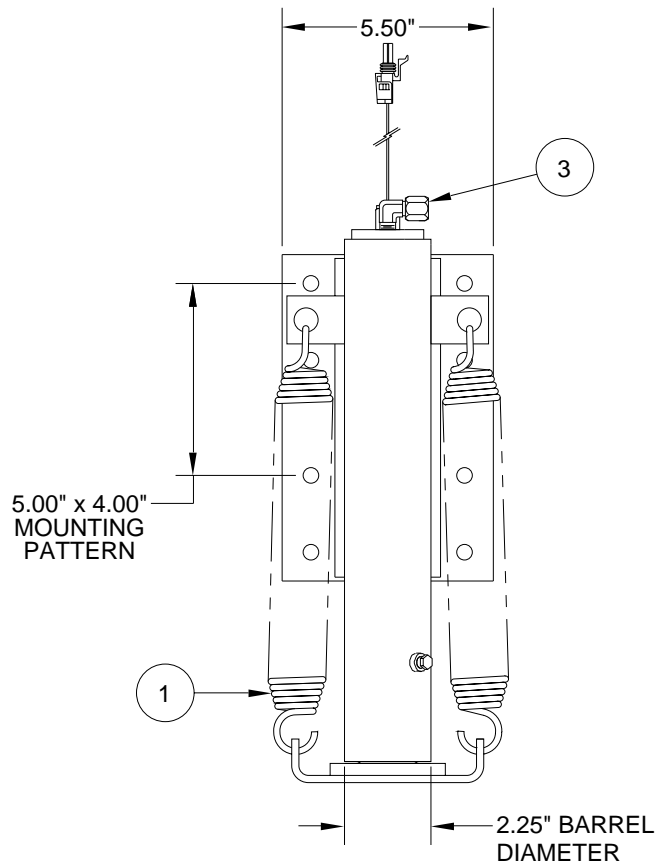
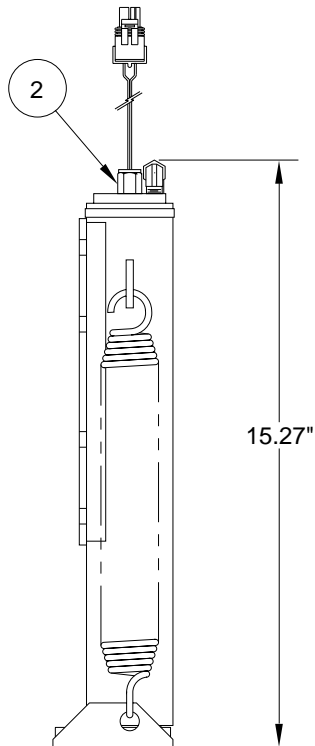
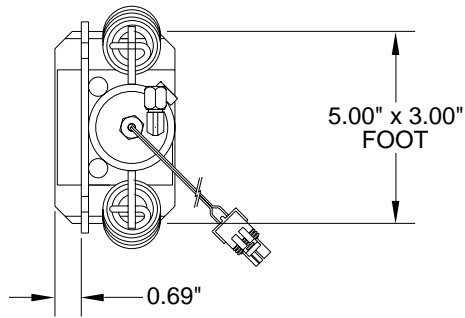
ITEM	PART	QTY	DESCRIPTION
	RAP13326		JACK 6,000 # X 10" FIXED (REPLACES AP13326/ RAP92440)
1	R6824	1	SPRING KIT 1.5" X 10"
		2	SPRING 1.5" X 10"

ITEM	PART	QTY	DESCRIPTION
2	RAP1008	1	SWITCH WARNING 2-WIRE OBS. - REPLACE WITH RAP26641 SWITCH AND RAP37981 ADAPTER
3	RF1453	1	ELBOW 1/8" X 1/4"

NOTE: INDENTED ITEMS ARE INCLUDED WITH PRECEDING ITEM.

MR25.2555
03SEP20

AP34503 - RAP34503
STRAIGHT-ACTING JACK, FIXED
6,000 # CAPACITY; 1.625" ROD DIAMETER; 10.00" STROKE
USED ON REAR OF TRAVEL TRAILERS AND FIFTH WHEEL COACHES



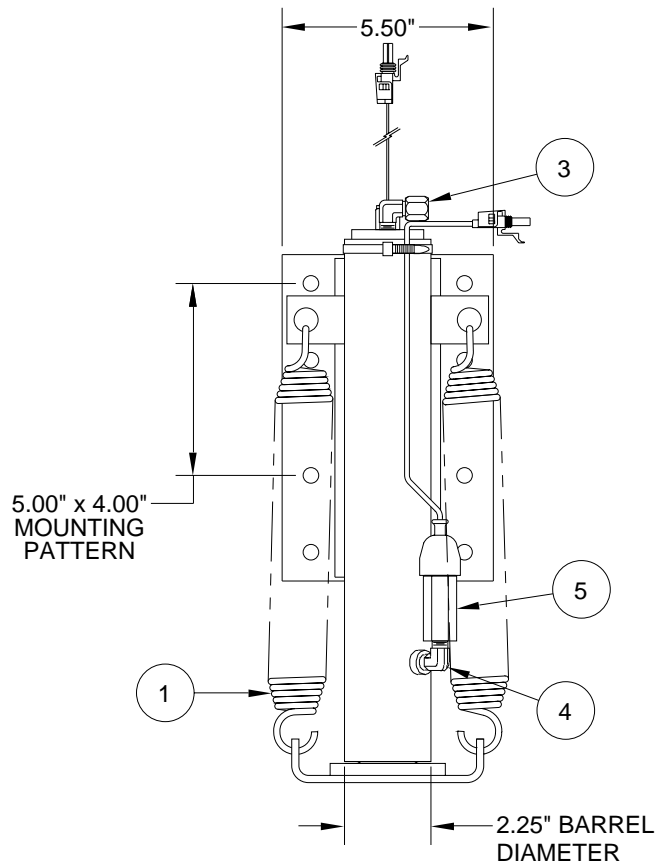
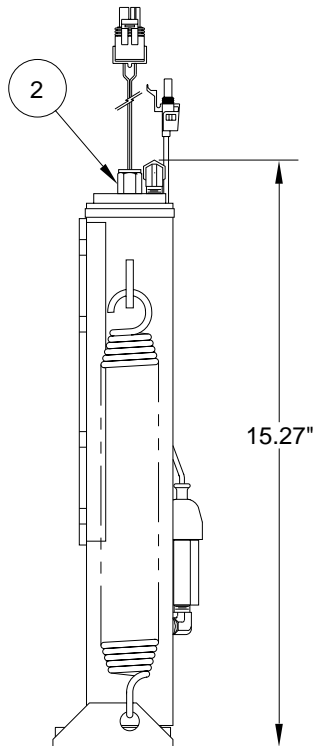
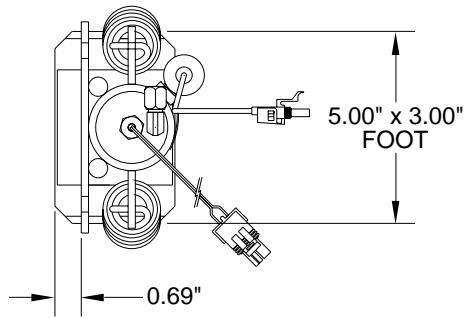
ITEM	PART	QTY	DESCRIPTION
	RAP34503		JACK 6,000 # X 10" FIXED (REPLACES AP34503/ RAP92441)
1	R6824	1	SPRING KIT 1.5" X 10"
		2	SPRING 1.5" X 10"

ITEM	PART	QTY	DESCRIPTION
2	RAP26641	1	SWITCH WARNING MAGNETIC GRAY
3	RF1453	1	ELBOW 1/8" X 1/4"

NOTE: INDENTED ITEMS ARE INCLUDED WITH PRECEDING ITEM.

MR25.2560
19AUG20

AP40490 - RAP40490
STRAIGHT-ACTING JACK, FIXED
6,000 # CAPACITY; 1.625" ROD DIAMETER; 10.00" STROKE
USED ON REAR OF TRAVEL TRAILERS AND FIFTH WHEEL COACHES



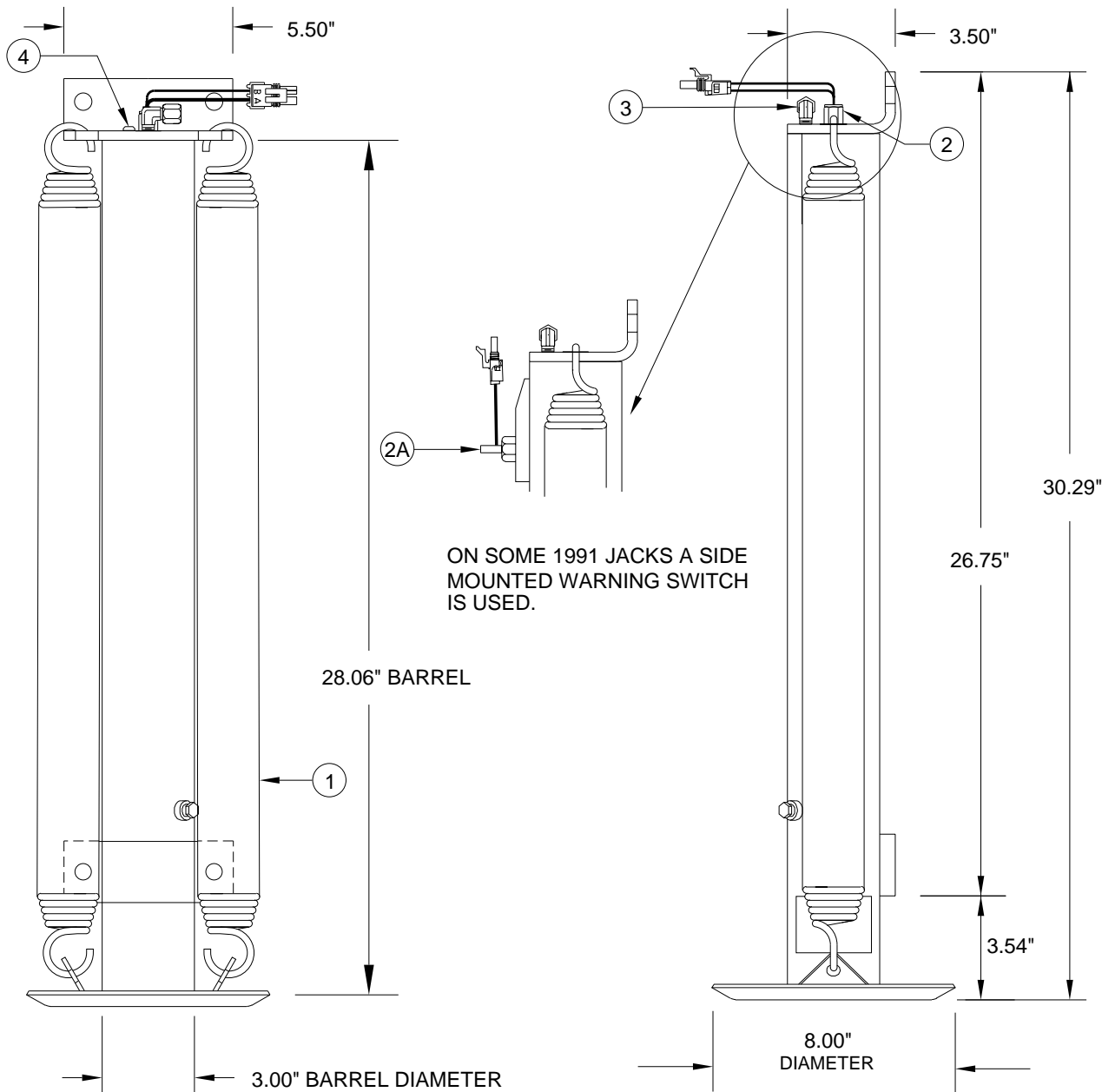
ITEM	PART	QTY	DESCRIPTION
	RAP40490		JACK 6,000 # X 10" FIXED (REPLACES AP40490/ RAP92442)
1	R6824	1	SPRING KIT 1.5" X 10"
		2	SPRING 1.5" X 10"

ITEM	PART	QTY	DESCRIPTION
2	RAP26641	1	SWITCH WARNING MAGNETIC GRAY
3	RF1453	1	ELBOW 1/8" X 1/4"
4	RF8143	1	ELBOW 1/8" X 1/8"
5	RAP8003	1	SWITCH PRESSURE

NOTE: INDENTED ITEMS ARE INCLUDED WITH PRECEDING ITEM.

MR25.2560A
19AUG20

AP7900 - RAP7900
STRAIGHT-ACTING JACK, FIXED - OBSOLETE
6,000 # CAPACITY; 2.375" ROD DIAMETER; 21.00" STROKE
USED ON FIFTH WHEEL COACHES

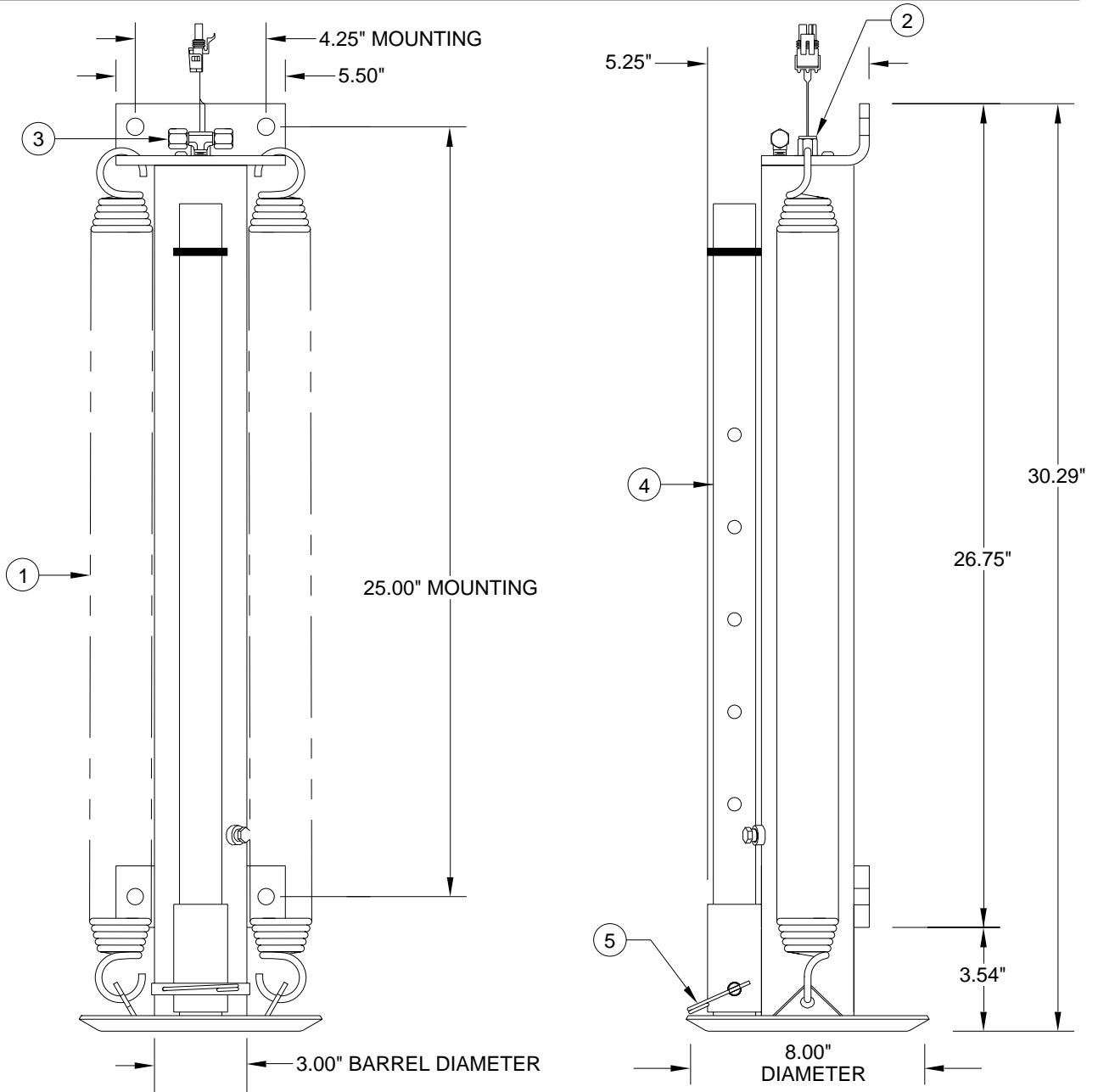


ITEM	PART	QTY	DESCRIPTION
	RAP7900		OBSOLETE JACK SEE RAP0130
1	R35389	1	SPRING KIT .2187" X 25.25"
		2	SPRING .2187" X 25.25"
2	RAP1008	1	SWITCH WARNING 2-WIRE OBS. - REPLACE WITH RAP26641 SWITCH AND RAP37981 ADAPTER

ITEM	PART	QTY	DESCRIPTION
2A	RAP7777	1	SWITCH WARNING SIDE- PORT. (USED ON SOME 1991 COACHES)
3	RF1453	1	ELBOW 1/8" X 1/4"
4	RF2418	1	PIPE PLUG 1/8"

NOTE: INDENTED ITEMS ARE INCLUDED WITH PRECEDING ITEM.

AP34499 - RAP34499
STRAIGHT - ACTING JACK, FIXED
6,000 # CAPACITY; 2.375" ROD DIAMETER; 21.00" STROKE
USED ON FIFTH WHEEL COACHES



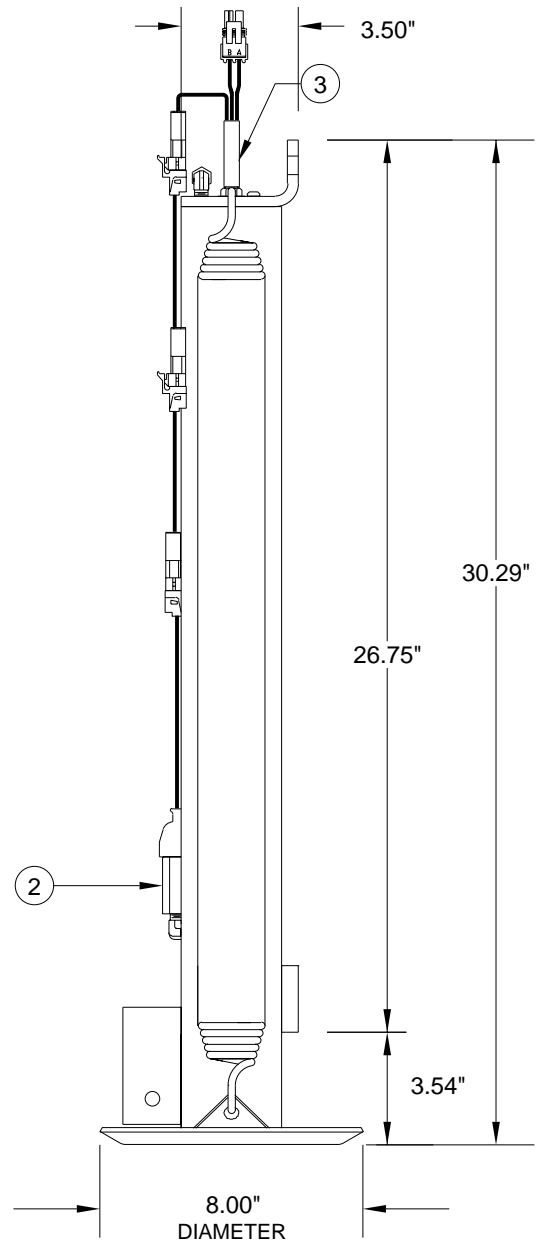
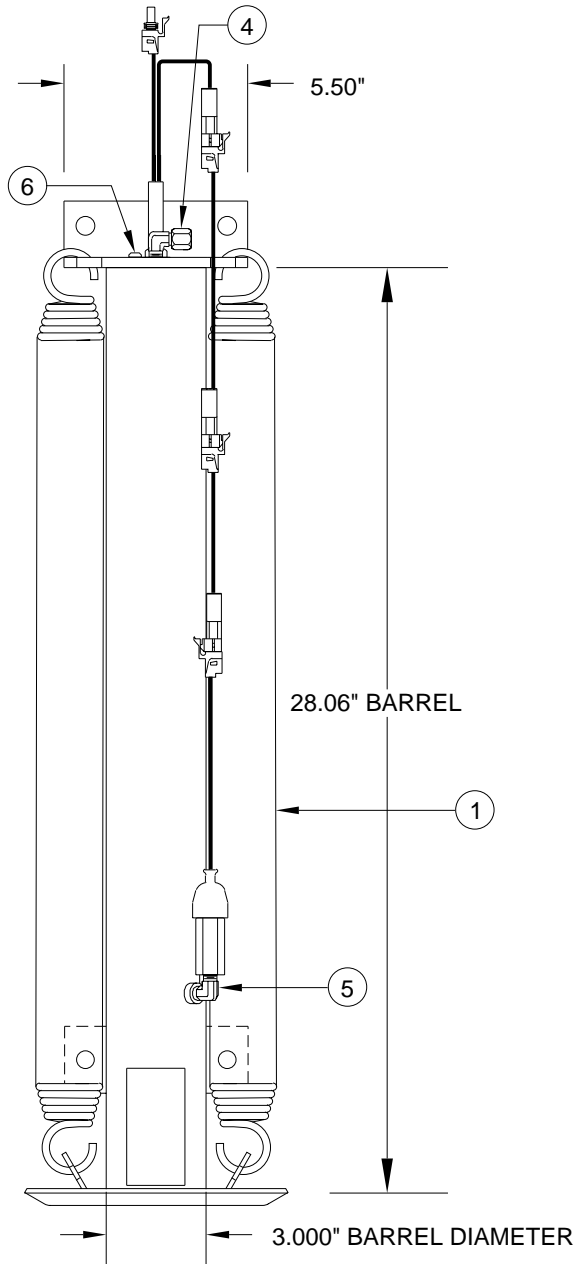
ITEM	PART	QTY	DESCRIPTION
	RAP34499		JACK 6000 # X 21" FIXED (REPLACES AP34499 / RAP92447)
1	R35389	1	SPRING KIT .2187" X 25.25"
		2	SPRING .2187" X 25.25"
2	RAP26641	1	SWITCH WARNING MAGNETIC GRAY

ITEM	PART	QTY	DESCRIPTION
3	RF6966	1	MALE TEE 1/8" X 1/4" X 1/4"
4	RAP0137	1	STOP ROD
5	RAP0133	1	RETAINING PIN

NOTE: INDENTED ITEMS ARE INCLUDED WITH PRECEDING ITEM.

MR25.2605
19AUG20

**AP8512 - RAP8512 - STRAIGHT - ACTING JACK, FIXED
6,000 # CAPACITY; 2.375" ROD DIAMETER; 21.00" STROKE
WITH PRESSURE SWITCH AND 3-WIRE WARNING SWITCH
USED ON FIFTH WHEEL COACHES**



ITEM	PART	QTY	DESCRIPTION
------	------	-----	-------------

	RAP8512		JACK 6,000 # X 21" FIXED (REPLACES AP8512)
1	R35389	1	SPRING KIT .2187" X 25.25"
		2	SPRING .2187" X 25.25"
2	RAP8003	1	SWITCH PRESSURE

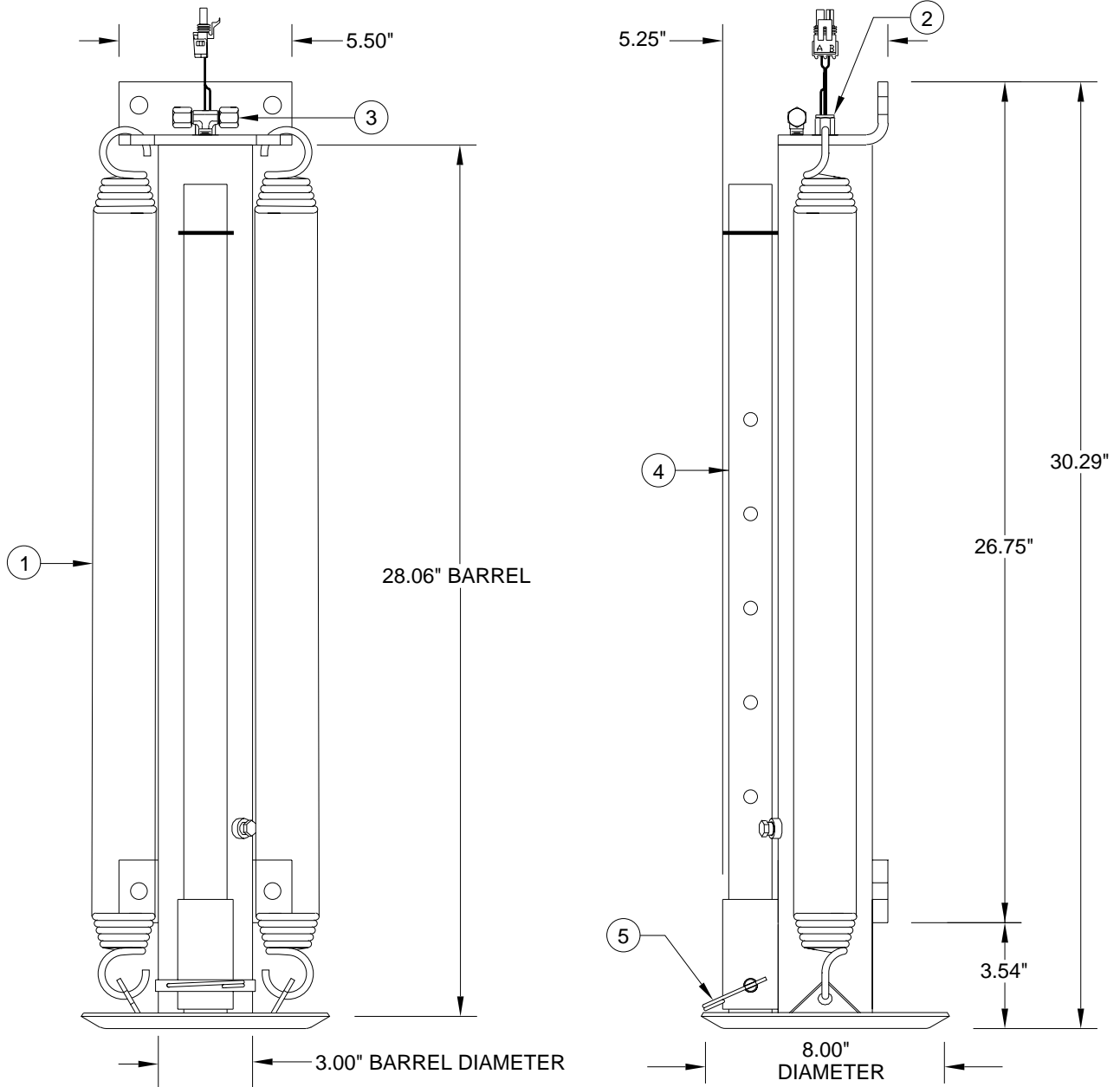
ITEM	PART	QTY	DESCRIPTION
------	------	-----	-------------

3	RAP90073	1	SWITCH WARNING 3-WIRE OBS. - REPLACE WITH RAP26641 SWITCH, RAP9072 INTERFACE, RAP61652 ADAPTER AND RAP37832 ADAPTER
4	RF1453	1	ELBOW 1/8" X 1/4"
5	RF8143	1	ELBOW 1/8" X 1/8"
6	RF2418	1	PIPE PLUG 1/8" BLK

NOTE: INDENTED ITEMS ARE INCLUDED WITH PRECEDING ITEM.

**MR25.2625
03SEP20**

AP0130 - RAP0130
STRAIGHT-ACTING JACK, FIXED
6,000 # CAPACITY; 2.375" ROD DIAMETER; 21.00" STROKE
USED ON FIFTH WHEEL COACHES



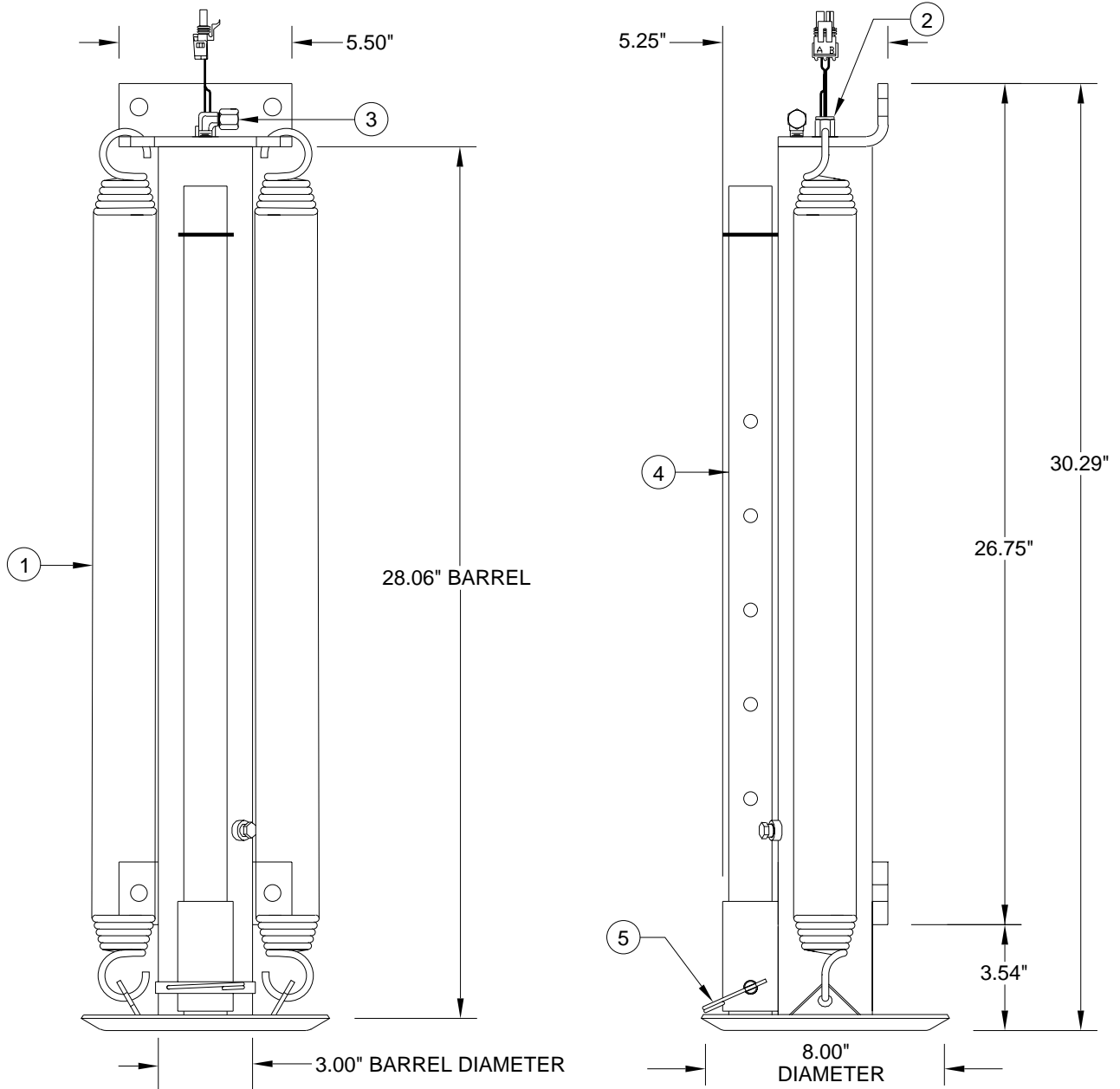
ITEM	PART	QTY	DESCRIPTION
	RAP0130		JACK 6,000 # X 21" FIXED (REPLACES AP0130)
1	R35389	1	SPRING KIT .2187" X 25.25"
		2	SPRING .2187" X 25.25"
2	RAP1008	1	SWITCH WARNING 2-WIRE OBS. - REPLACE WITH RAP26641 SWITCH AND RAP37981 ADAPTER

ITEM	PART	QTY	DESCRIPTION
3	RF6966	1	ELBOW 1/8" X 1/4" x 1/4"
4	RAP0137	1	STOP ROD
5	RAP0133	1	RETAINING PIN

NOTE: INDENTED ITEMS ARE INCLUDED WITH PRECEDING ITEM.

MR25.2650
03SEP20

AP38530
STRAIGHT-ACTING JACK, FIXED - OBSOLETE
6,000 # CAPACITY; 2.375" ROD DIAMETER; 21.00" STROKE
USED ON FIFTH WHEEL COACHES



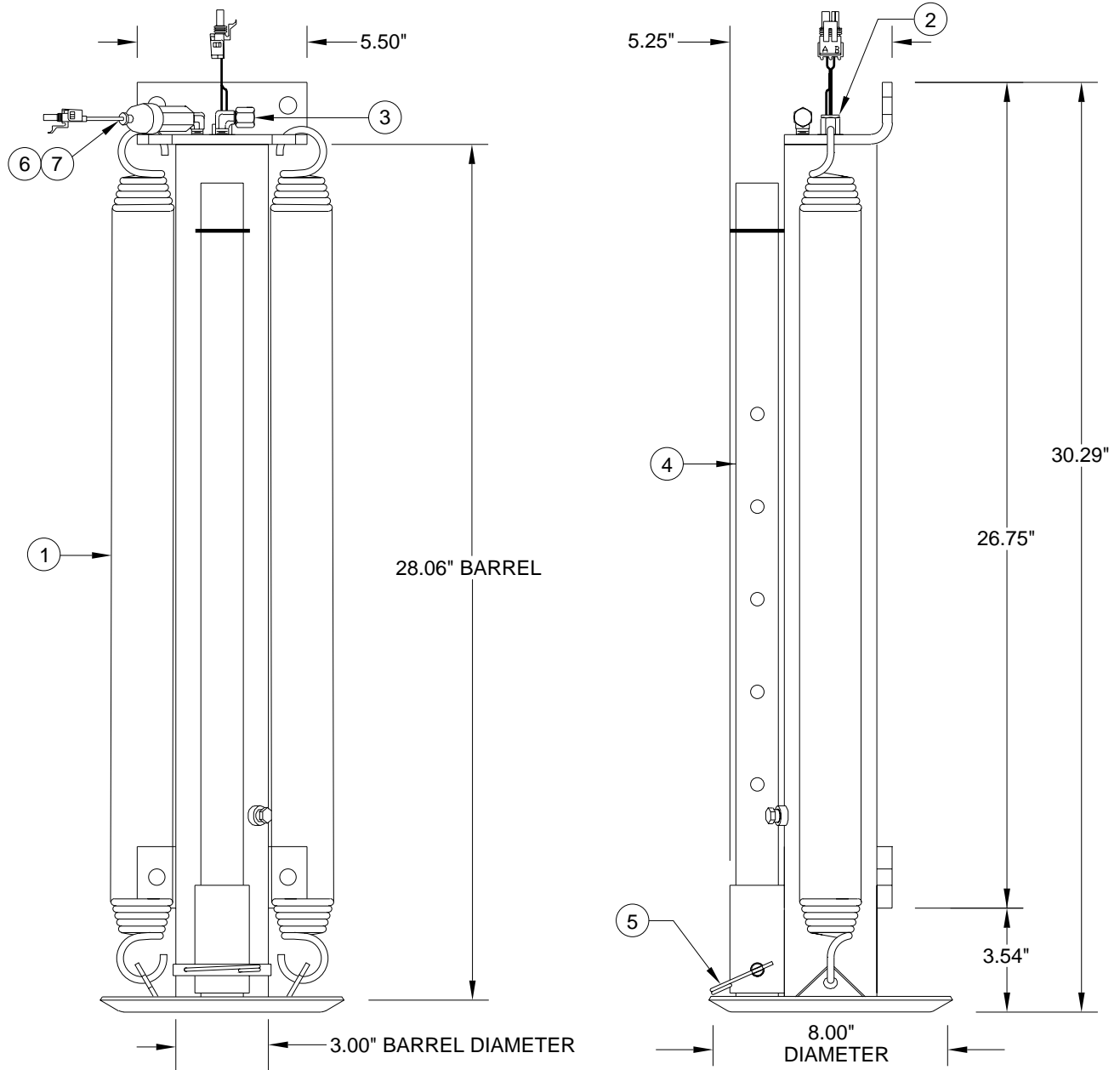
ITEM	PART	QTY	DESCRIPTION
	N/A		OBSOLETE JACK SEE RAP0130
1	R35389	1	SPRING KIT .2187" X 25.25"
		2	SPRING .2187" X 25.25"
2	RAP1008	1	SWITCH WARNING 2-WIRE OBS. - REPLACE WITH RAP26641 SWITCH AND RAP37981 ADAPTER

ITEM	PART	QTY	DESCRIPTION
3	RF1453	1	ELBOW 1/8" X 1/4"
4	RAP0137	1	STOP ROD
5	RAP0133	1	RETAINING PIN

NOTE: INDENTED ITEMS ARE INCLUDED WITH PRECEDING ITEM.

MR25.2650A
03SEP20

AP20975 - RAP20975
STRAIGHT-ACTING JACK, FIXED
6,000 # CAPACITY; 2.375" ROD DIAMETER; 21.00" STROKE
USED ON FIFTH WHEEL COACHES

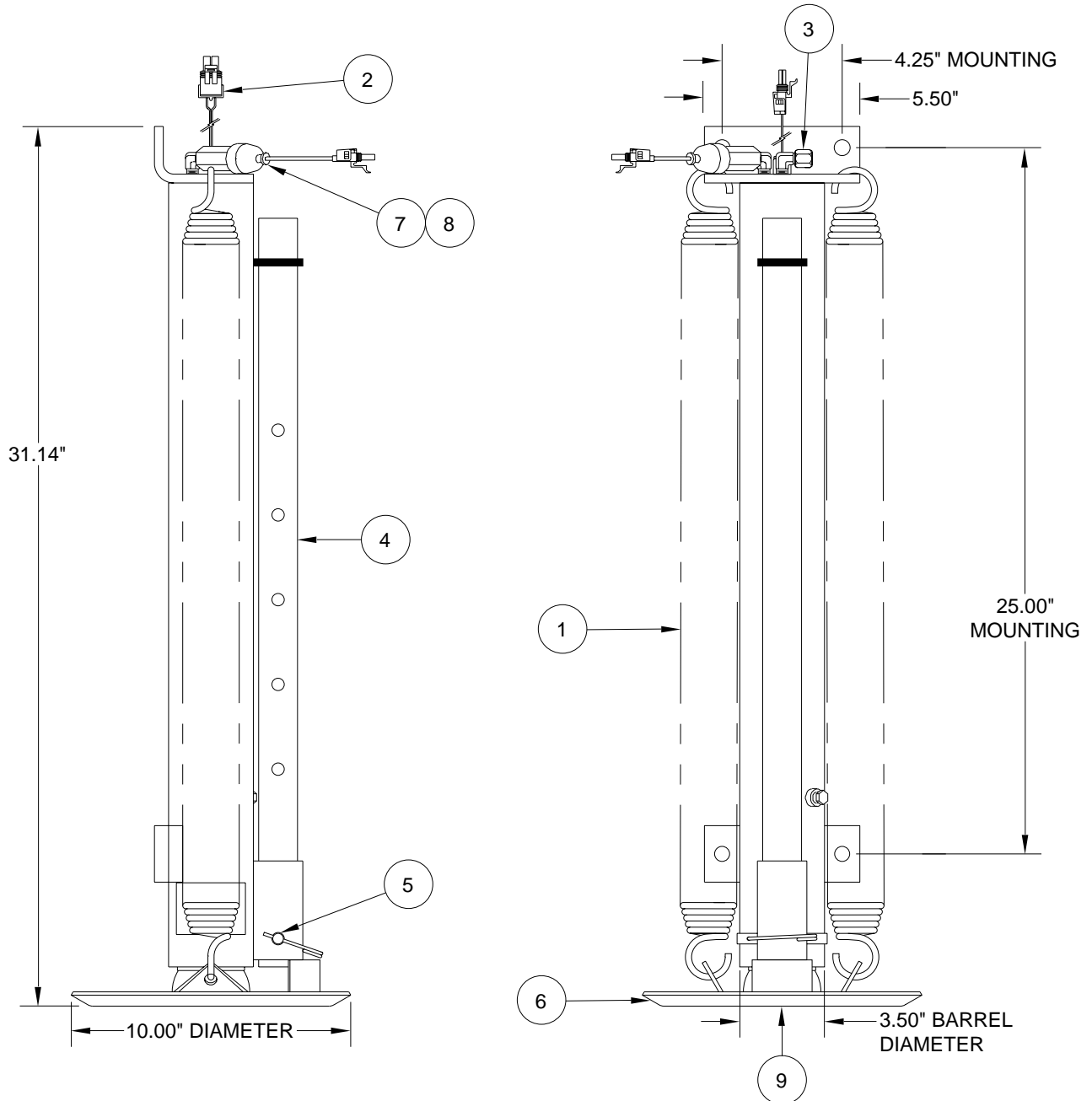


ITEM	PART	QTY	DESCRIPTION	ITEM	PART	QTY	DESCRIPTION
	RAP20975		JACK 6,000 # X 21" FIXED (REPLACES AP20975 / RAP90981)	3	RF1453	1	ELBOW 1/8" X 1/4"
1	R35389	1	SPRING KIT .2187" X 25.25"	4	RAP0137	1	STOP ROD
		2	SPRING .2187" X 25.25"	5	RAP0133	1	RETAINING PIN
2	RAP1008	1	SWITCH WARNING 2-WIRE OBS. - REPLACE WITH RAP26641 SWITCH AND RAP37981 ADAPTER	6	RF8143	1	ELBOW 1/8" X 1/8"
				7	RAP8003	1	SWITCH PRESSURE

NOTE: INDENTED ITEMS ARE INCLUDED WITH PRECEDING ITEM.

MR25.2650B
03SEP20

AP36400 - RAP36400
STRAIGHT-ACTING JACK, FIXED
6,000 # CAPACITY; 2.375" ROD DIAMETER; 21.00" STROKE; BOLT-ON FOOT
USED ON FIFTH WHEEL COACHES



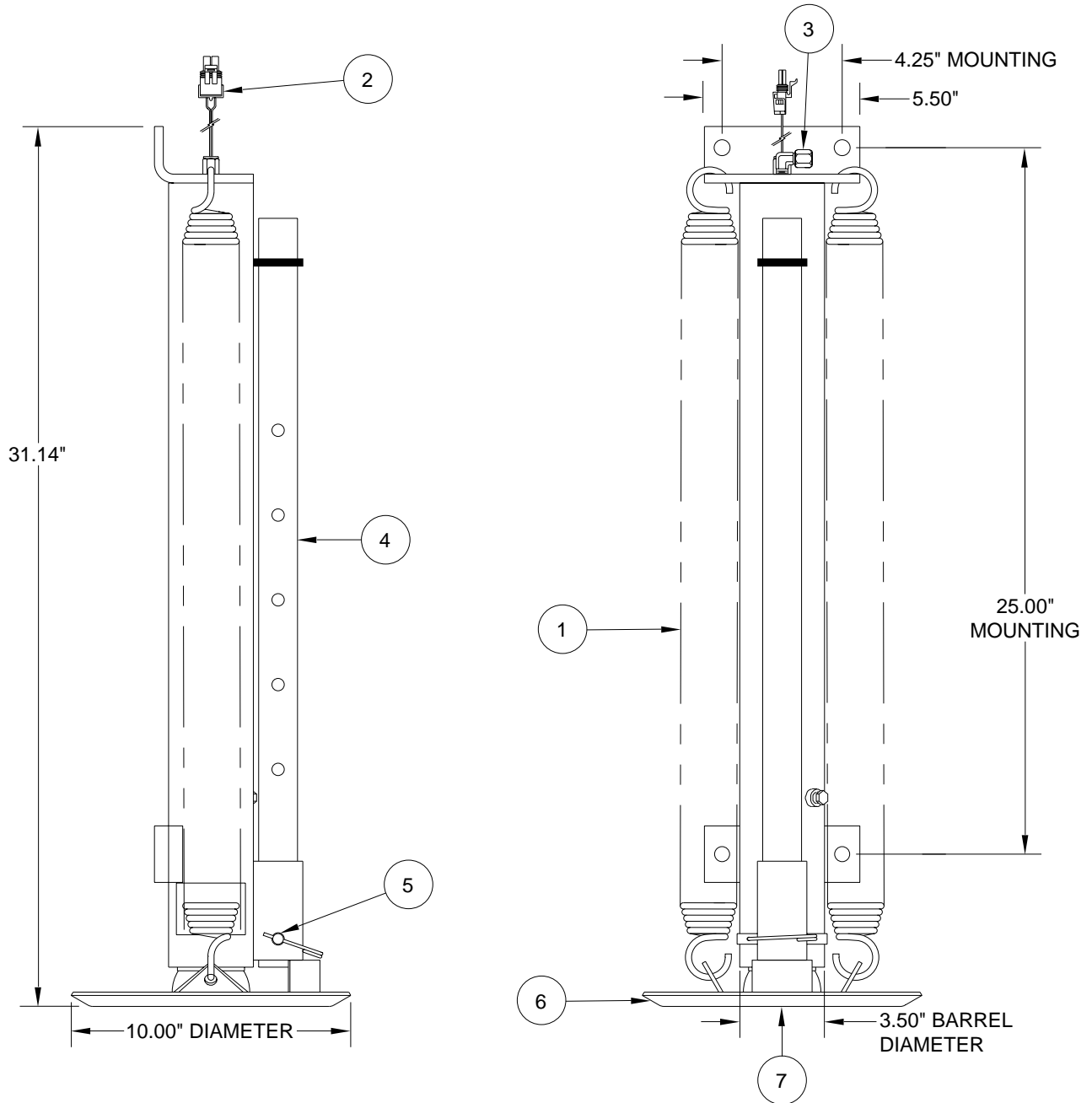
ITEM	PART	QTY	DESCRIPTION
	RAP36400		JACK 6,000 # X 21" FIXED (REPLACES AP36400 / RAP92049)
1	R35389	1	SPRING KIT .2187" X 25.25"
		2	SPRING .2187" X 25.25"
2	RAP26641	1	SWITCH WARNING MAGNETIC GRAY
3	RF1453	1	ELBOW 1/8" X 1/4"

ITEM	PART	QTY	DESCRIPTION
4	RAP0137	1	STOP ROD
5	RAP0133	1	RETAINING PIN
6	RAP36257	1	FOOT 10" DIAMETER (INCLUDES ITEM 9) (REPLACES RAP92452)
7	RF8143	1	ELBOW 1/8" X 1/8"
8	RAP8003	1	SWITCH PRESSURE
9	RAP92466	1	SPHERE & STUD KIT FOR FOOT

NOTE: INDENTED ITEMS ARE INCLUDED WITH PRECEDING ITEM.

MR25.2655
19AUG20

AP36514 - RAP36514
STRAIGHT-ACTING JACK, FIXED
6,000 # CAPACITY; 2.375" ROD DIAMETER; 21.00" STROKE; BOLT-ON FOOT
USED ON FIFTH WHEEL COACHES



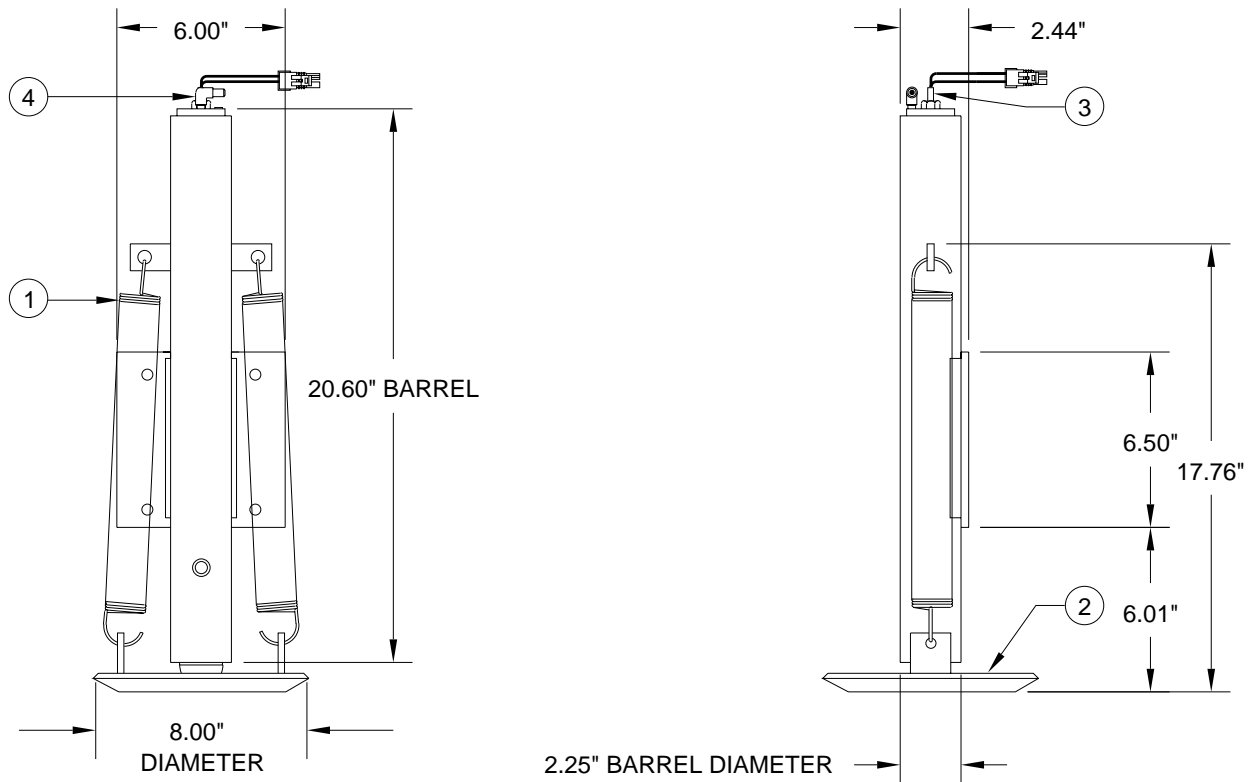
ITEM	PART	QTY	DESCRIPTION
	RAP36514		JACK 6,000 # X 21" FIXED (REPLACES AP36514 / RAP92050)
1	R35389	1	SPRING KIT .2187" X 25.25"
		2	SPRING .2187" X 25.25"
2	RAP26641	1	SWITCH WARNING MAGNETIC GRAY
3	RF1453	1	ELBOW 1/8" X 1/4"

ITEM	PART	QTY	DESCRIPTION
4	RAP0137	1	STOP ROD
5	RAP0133	1	RETAINING PIN
6	RAP36257	1	FOOT 10" DIAMETER (INCLUDES ITEM 7) (REPLACES RAP92452)
7	RAP92466	1	SPHERE & STUD KIT FOR FOOT

NOTE: INDENTED ITEMS ARE INCLUDED WITH PRECEDING ITEM.

MR25.2655A
19AUG20

AP8082 - OBSOLETE
STRAIGHT-ACTING JACK, FIXED
6,000 # CAPACITY; 1.625" ROD DIAMETER; 16.00" STROKE
USED ON SAFARI COACHES



ITEM	PART	QTY	DESCRIPTION
	RAP8082		OBSOLETE JACK SEE RAP45076
1	R3847	1	SPRING KIT 1-11/16" X 14"
		2	SPRING 1-11/16" X 14"

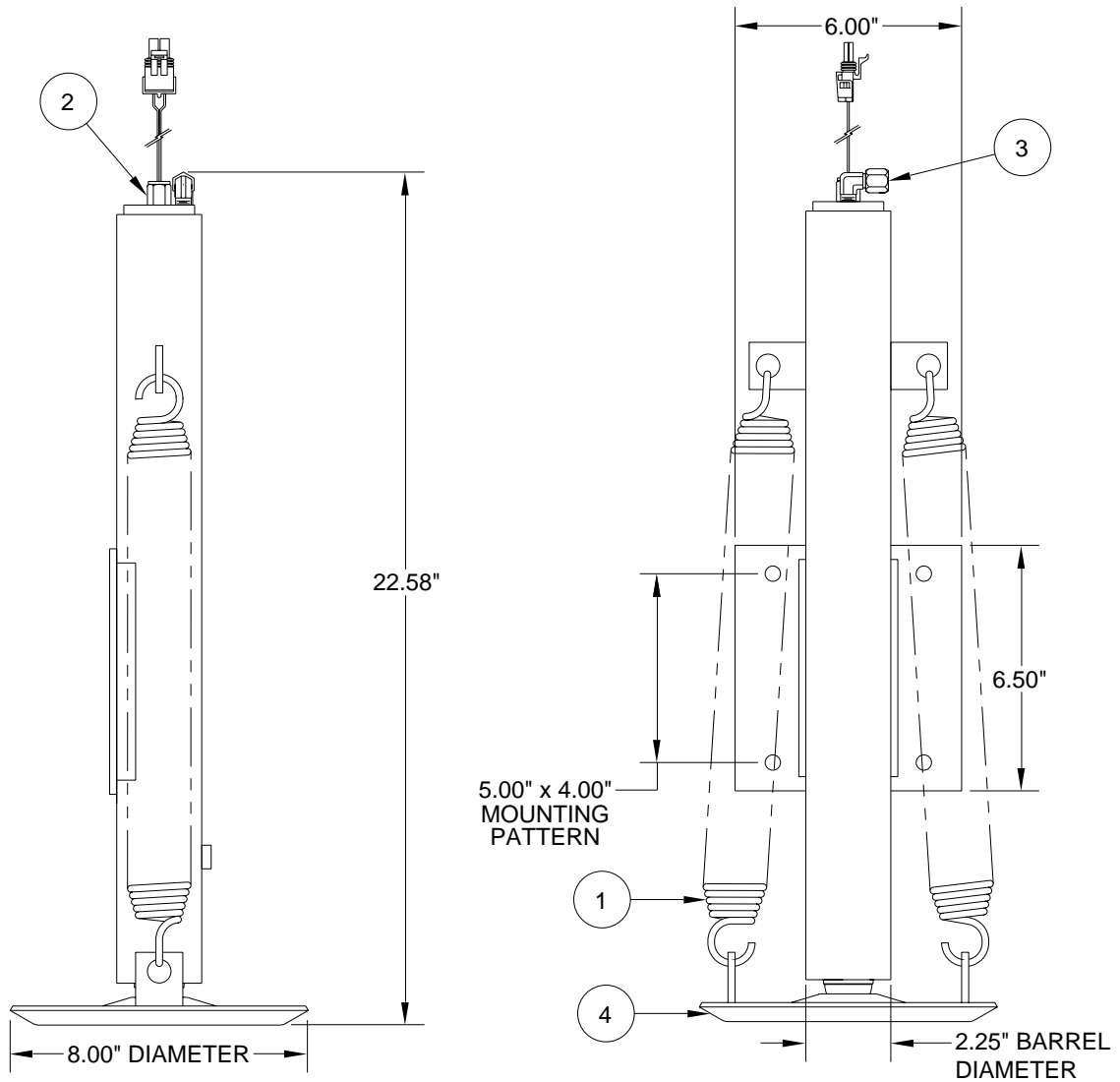
ITEM	PART	QTY	DESCRIPTION
2	RAP8126	1	8.00" DIAMETER FOOT
3	RAP1008	1	SWITCH WARNING 2-WIRE OBS. - REPLACE WITH RAP26641 SWITCH AND RAP37981 ADAPTER
4	RF1453	1	ELBOW 1/8" X 1/4"

NOTE: INDENTED ITEMS ARE INCLUDED WITH PRECEDING ITEM.

MR25.2700
03SEP20

AP34331

STRAIGHT-ACTING JACK, FIXED - OBSOLETE 6,000 # CAPACITY; 1.625" ROD DIAMETER; 16.00" STROKE USED ON REAR OF TRAVEL TRAILERS AND FIFTH WHEEL COACHES



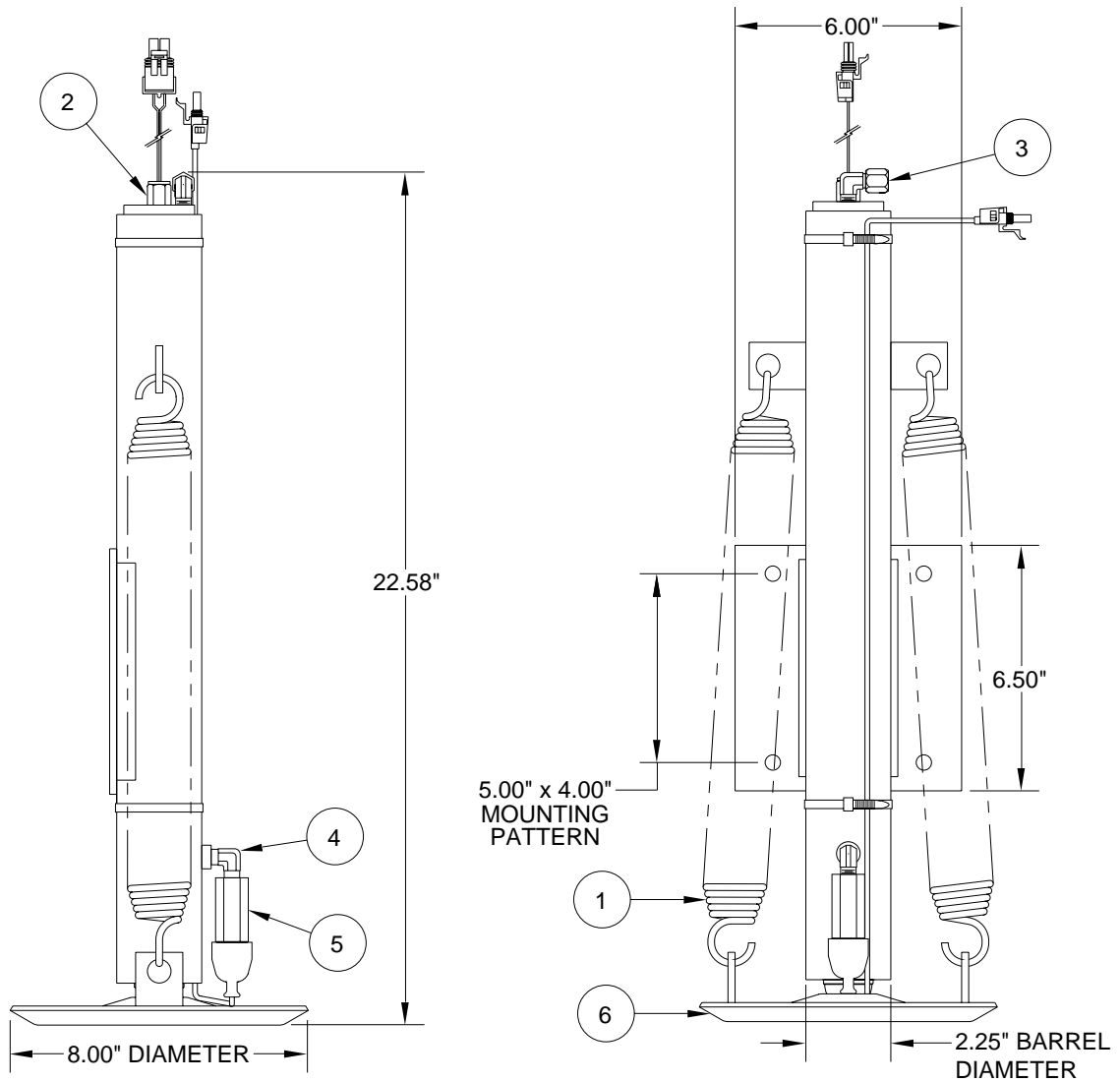
ITEM	PART	QTY	DESCRIPTION
	RAP92443		OBSOLETE JACK SEE AP45077
1	R3847	1	SPRING KIT 1-11/16" X 14"
		2	SPRING 1-11/16" X 14"

ITEM	PART	QTY	DESCRIPTION
2	RAP26641	1	SWITCH WARNING MAGNETIC GRAY
3	RF1453	1	ELBOW 1/8" X 1/4"
4	RAP8126	1	8.00" DIAMETER FOOT

NOTE: INDENTED ITEMS ARE INCLUDED WITH PRECEDING ITEM.

MR25.2705
19AUG20

AP36952
STRAIGHT-ACTING JACK, FIXED - OBSOLETE
6,000 # CAPACITY; 1.625" ROD DIAMETER; 16.00" STROKE
USED ON REAR OF TRAVEL TRAILERS AND FIFTH WHEEL COACHES



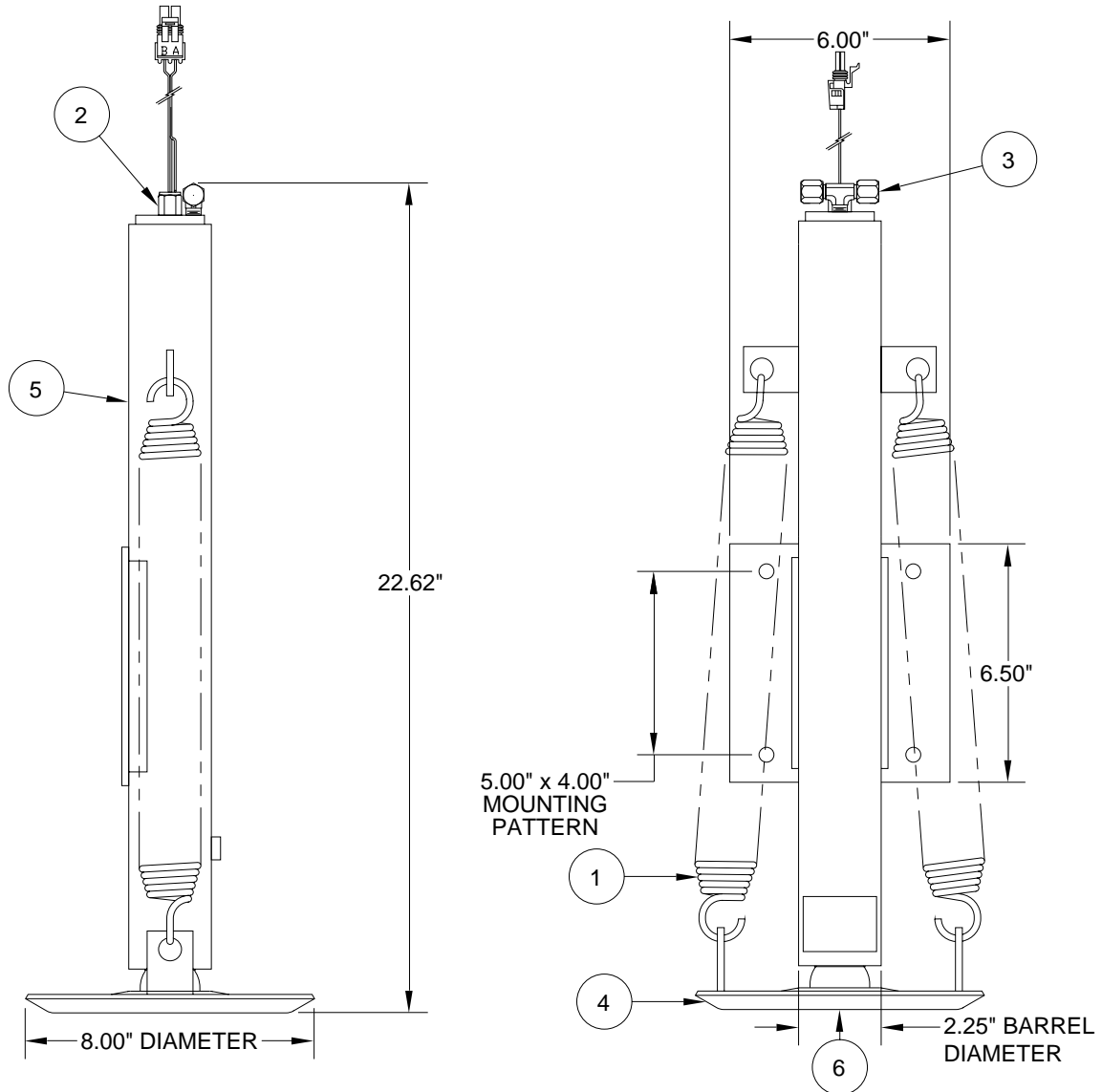
ITEM	PART	QTY	DESCRIPTION
	RAP92444		OBSOLETE JACK SEE RAP45078
1	R3847	1	SPRING KIT 1-11/16" X 14"
		2	SPRING 1-11/16" X 14"
2	RAP26641	1	SWITCH WARNING MAGNETIC GRAY

ITEM	PART	QTY	DESCRIPTION
3	RF1453	1	ELBOW 1/8" X 1/4"
4	RF8143	1	ELBOW 1/8" X 1/8"
5	RAP8003	1	SWITCH PRESSURE
6	RAP8126	1	8.00" DIAMETER FOOT

NOTE: INDENTED ITEMS ARE INCLUDED WITH PRECEDING ITEM.

MR25.2705A
17SEP20

AP45076 - RAP45076
STRAIGHT-ACTING JACK, FIXED
6,000 # CAPACITY; 1.625" ROD DIAMETER; 16.00" STROKE
USED ON REAR OF TRAVEL TRAILERS AND FIFTH WHEEL COACHES



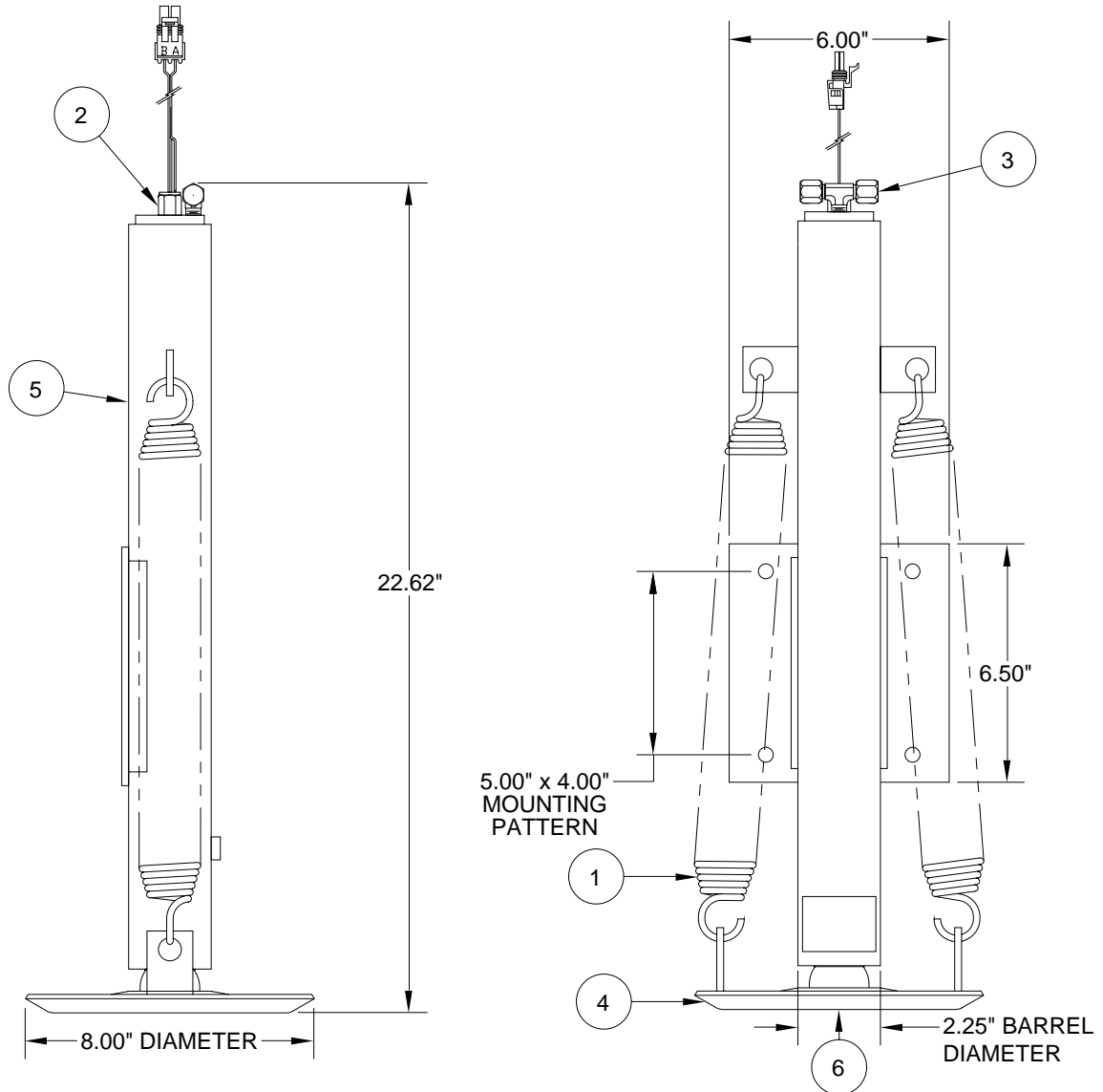
ITEM	PART	QTY	DESCRIPTION
	RAP45076		JACK 6,000 # X 16" FIXED (REPLACES AP45076)
1	R3847	1	SPRING KIT 1-11/16" X 14"
		2	SPRING 1-11/16" X 14"
2	RAP1008	1	SWITCH WARNING 2-WIRE
3	RF6966	1	MALE TEE 1/8" X 1/4" X 1/4"

ITEM	PART	QTY	DESCRIPTION
4	RAP36048	1	8.00" DIAMETER FOOT (INCLUDES ITEM 6) (REPLACES RAP92048)
5	RAP45075	1	CYL ASSY 1.625" x 16" (INCLUDES ITEM 3 ONLY) (REPLACES RAP92795)
6	RAP93768	1	SPHERE & STUD KIT FOR FOOT

NOTE: INDENTED ITEMS ARE INCLUDED WITH PRECEDING ITEM.

MR25.2710
19AUG20

AP45077 - RAP45077
STRAIGHT-ACTING JACK, FIXED
6,000 # CAPACITY; 1.625" ROD DIAMETER; 16.00" STROKE
USED ON REAR OF TRAVEL TRAILERS AND FIFTH WHEEL COACHES



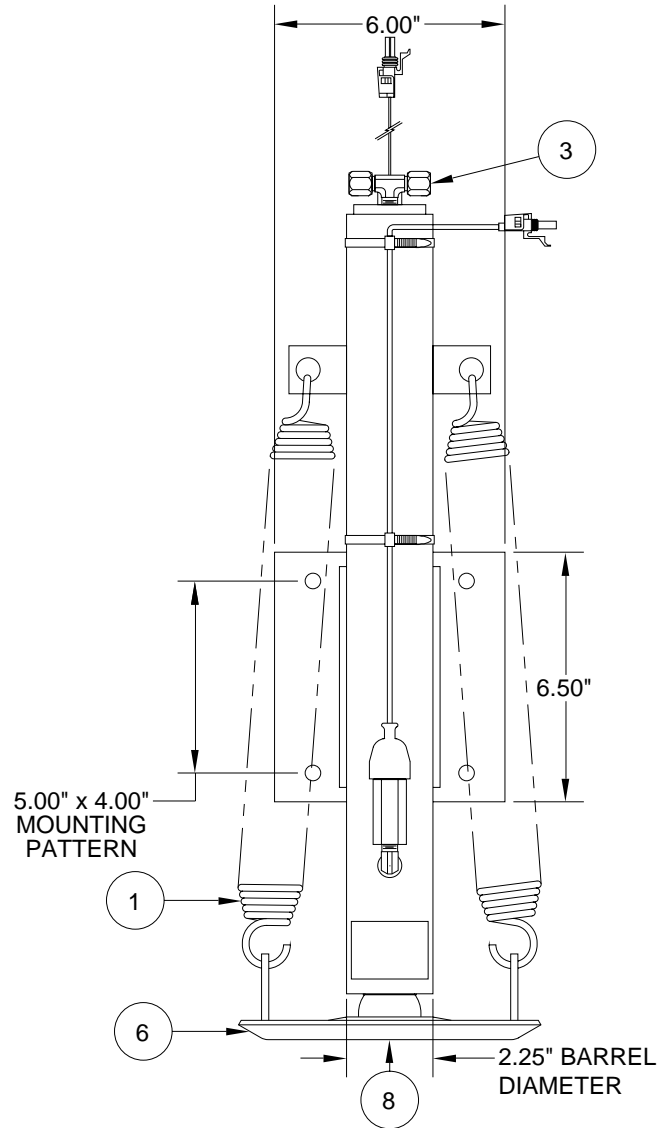
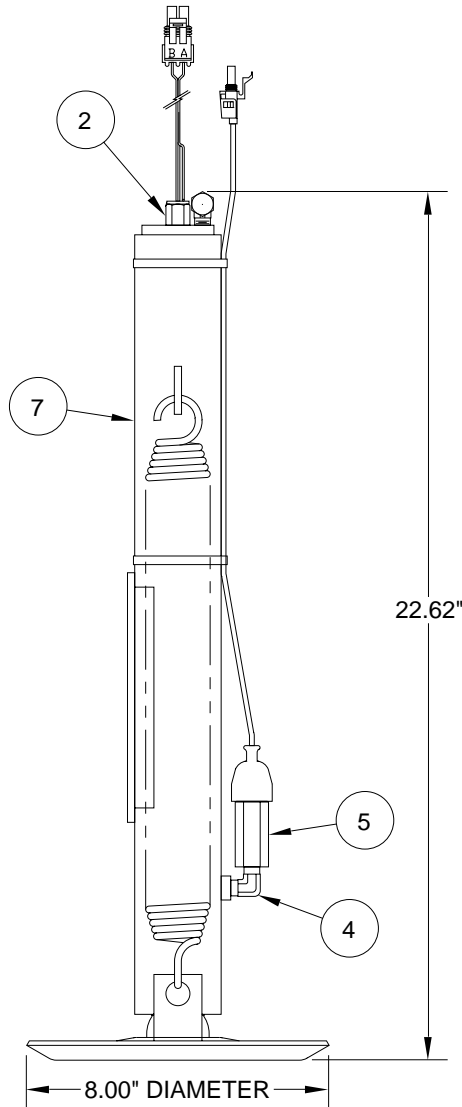
ITEM	PART	QTY	DESCRIPTION
	RAP45077		JACK 6,000 # X 16" FIXED (REPLACES AP45077 / RAP92671)
1	R3847	1 2	SPRING KIT 1-11/16" X 14" SPRING 1-11/16" X 14"
2	RAP26641	1	SWITCH WARNING MAGNETIC GRAY
3	RF6966	1	MALE TEE 1/8" X 1/4" X 1/4"

ITEM	PART	QTY	DESCRIPTION
4	RAP36048	1	8.00" DIAMETER FOOT (INCLUDES ITEM 6) (REPLACES RAP92048)
5	RAP45075	1	CYL ASSY 1.625" x 16" (INCLUDES ITEM 3 ONLY) (REPLACES RAP92795)
6	RAP93768	1	SPHERE & STUD KIT FOR FOOT

NOTE: INDENTED ITEMS ARE INCLUDED WITH PRECEDING ITEM.

MR25.2710A
19AUG20

AP45078 - RAP45078
STRAIGHT-ACTING JACK, FIXED
6,000 # CAPACITY; 1.625" ROD DIAMETER; 16.00" STROKE
USED ON REAR OF TRAVEL TRAILERS AND FIFTH WHEEL COACHES



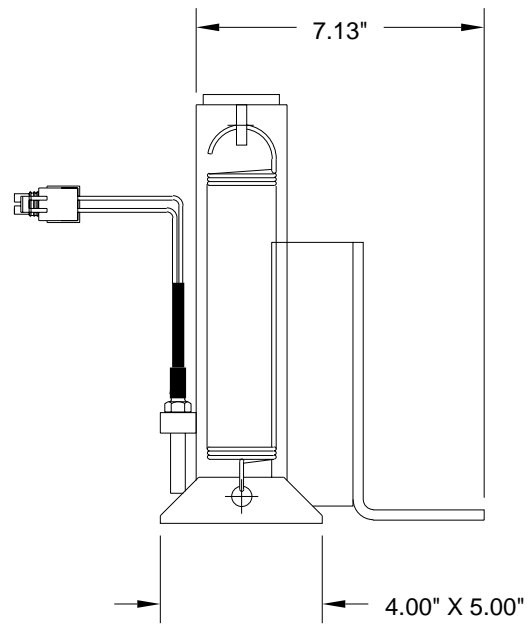
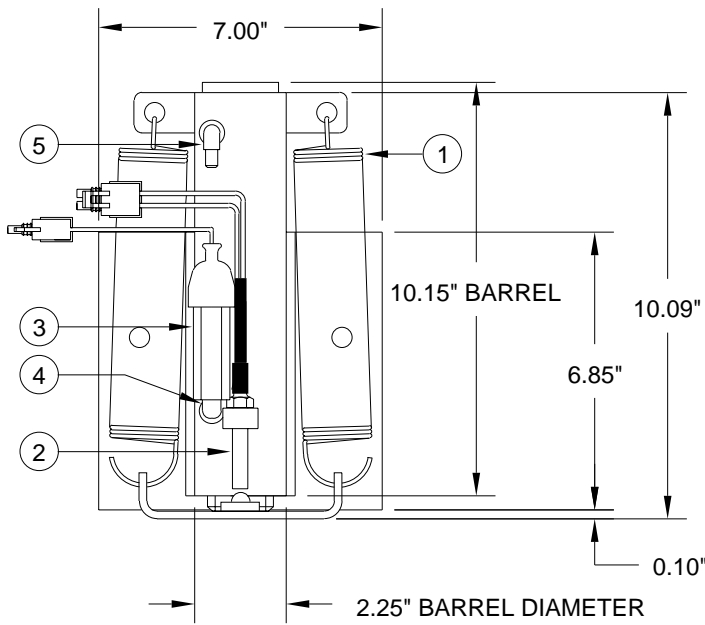
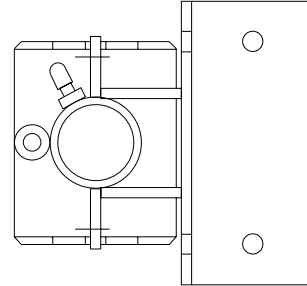
ITEM	PART	QTY	DESCRIPTION
	RAP45078		JACK 6,000 # X 16" FIXED (REPLACES AP45078 / RAP92672)
1	R3847	1 2	SPRING KIT 1-11/16" X 14" SPRING 1-11/16" X 14"
2	RAP26641	1	SWITCH WARNING MAGNETIC GRAY
3	RF6966	1	MALE TEE 1/8" X 1/4" X 1/4"

ITEM	PART	QTY	DESCRIPTION
4	RF8143	1	ELBOW 1/8" X 1/8"
5	RAP8003	1	SWITCH PRESSURE
6	RAP36048	1	8.00" DIAMETER FOOT (INCLUDES ITEM 8) (REPLACES RAP92048)
7	RAP45075	1	CYL ASSY 1.625" x 16" (INCLUDES ITEM 3 ONLY) (REPLACES RAP92795)
8	RAP93768	1	SPHERE & STUD KIT FOR FOOT

NOTE: INDENTED ITEMS ARE INCLUDED WITH PRECEDING ITEM.

MR25.2710B
14APR20

AP1334 - RAP1334
STRAIGHT-ACTING JACK, FIXED
6,000 # CAPACITY; 1.625" ROD DIAMETER; 6.50" STROKE
WITH PRESSURE SWITCH



ITEM	PART	QTY	DESCRIPTION	ITEM	PART	QTY	DESCRIPTION
	RAP1334		JACK 6,000 # X 6.5" FIXED (REPLACES AP1334 / RAP90197)	3	RAP8003	1	SWITCH PRESSURE
1	R1311	1	SPRING KIT 1.68" X 7.75"	4	RF8143	1	ELBOW 1/8" X 1/4"
		2	SPRING 1.68" X 7.75"	5	RF1453	1	ELBOW 1/8" X 1/4"
2	RAP1008	1	SWITCH WARNING 2-WIRE OBS. - REPLACE WITH RAP26641 SWITCH AND RAP37981 ADAPTER				

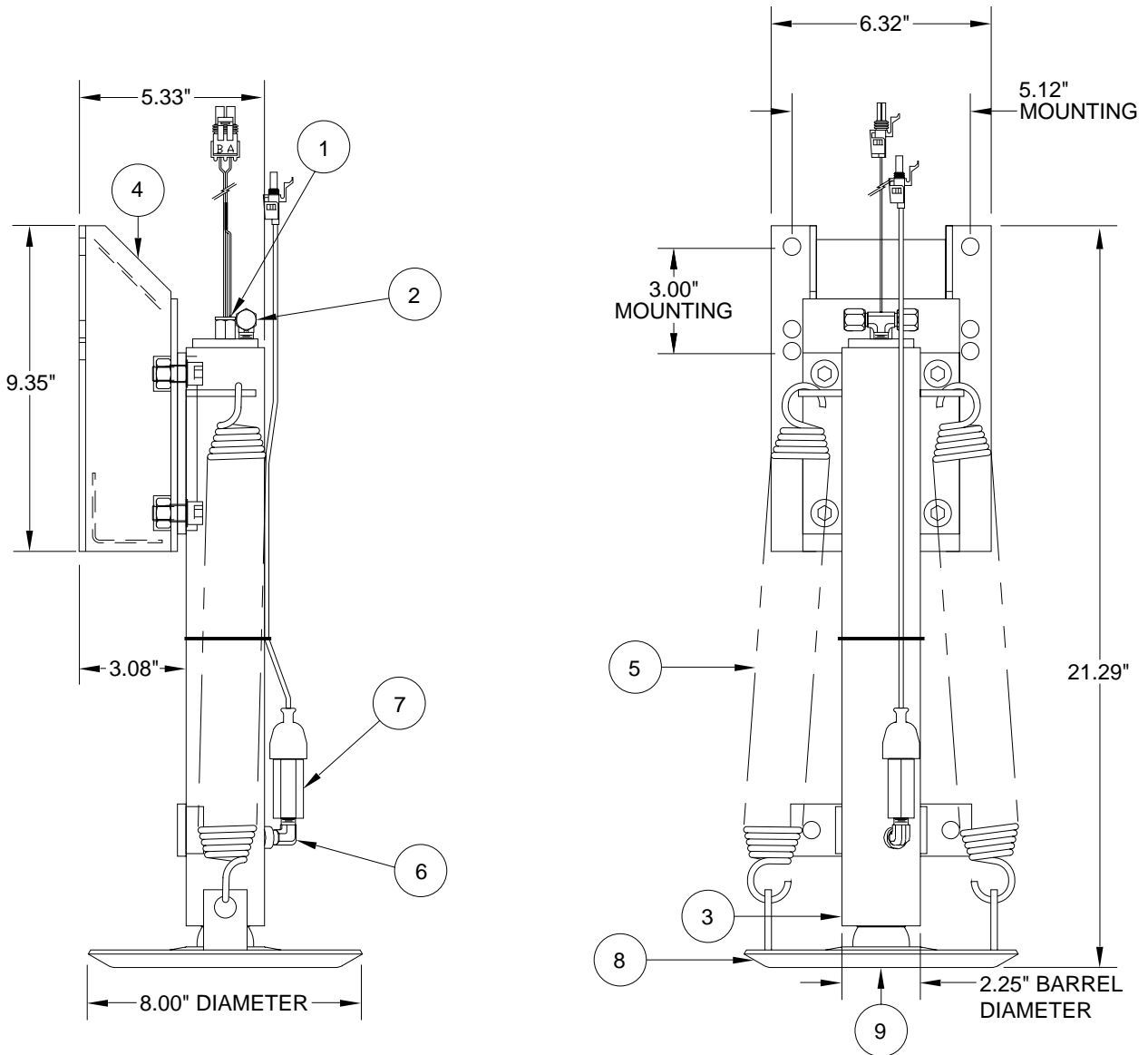
NOTE: INDENTED ITEMS ARE INCLUDED WITH PRECEDING ITEM.

MR25.2750
03SEP20

AP44445 - RAP44445

STRAIGHT-ACTING JACK, FIXED

6,000 # CAPACITY; 1.625" ROD DIAMETER; 13.00" STROKE; BOLT-ON FOOT WITH MAGNETIC WARNING SWITCH AND PRESSURE SWITCH



ITEM	PART	QTY	DESCRIPTION
	RAP44445		JACK 6,000 # X 13" FIXED (REPLACES AP44445 / RX93349)
1	RAP26641	1	SWITCH WARNING MAGNETIC GRAY
2	RF6966	1	MALE TEE 1/8" X 1/4" X 1/4"
3	RAP44429	1	CYL. ASSY. 1.625" x 13" (INCLUDES ITEM 2 ONLY) (REPLACES RAP92557)
4	RAP44438	1	MOUNTING BRACKET (INCLUDES HARDWARE) (REPLACES RAP92558)

ITEM	PART	QTY	DESCRIPTION
5	R3847	1	SPRING KIT 1-11/16" X 14"
		2	SPRING 1-11/16" X 14"
6	RF8143	1	ELBOW 1/8" X 1/8"
7	RAP8003	1	SWITCH PRESSURE
8	RAP36048	1	FOOT 8.00" DIAMETER (INCLUDES ITEM 9) (REPLACES RAP92048)
9	RAP93768	1	SPHERE & STUD KIT FOR FOOT

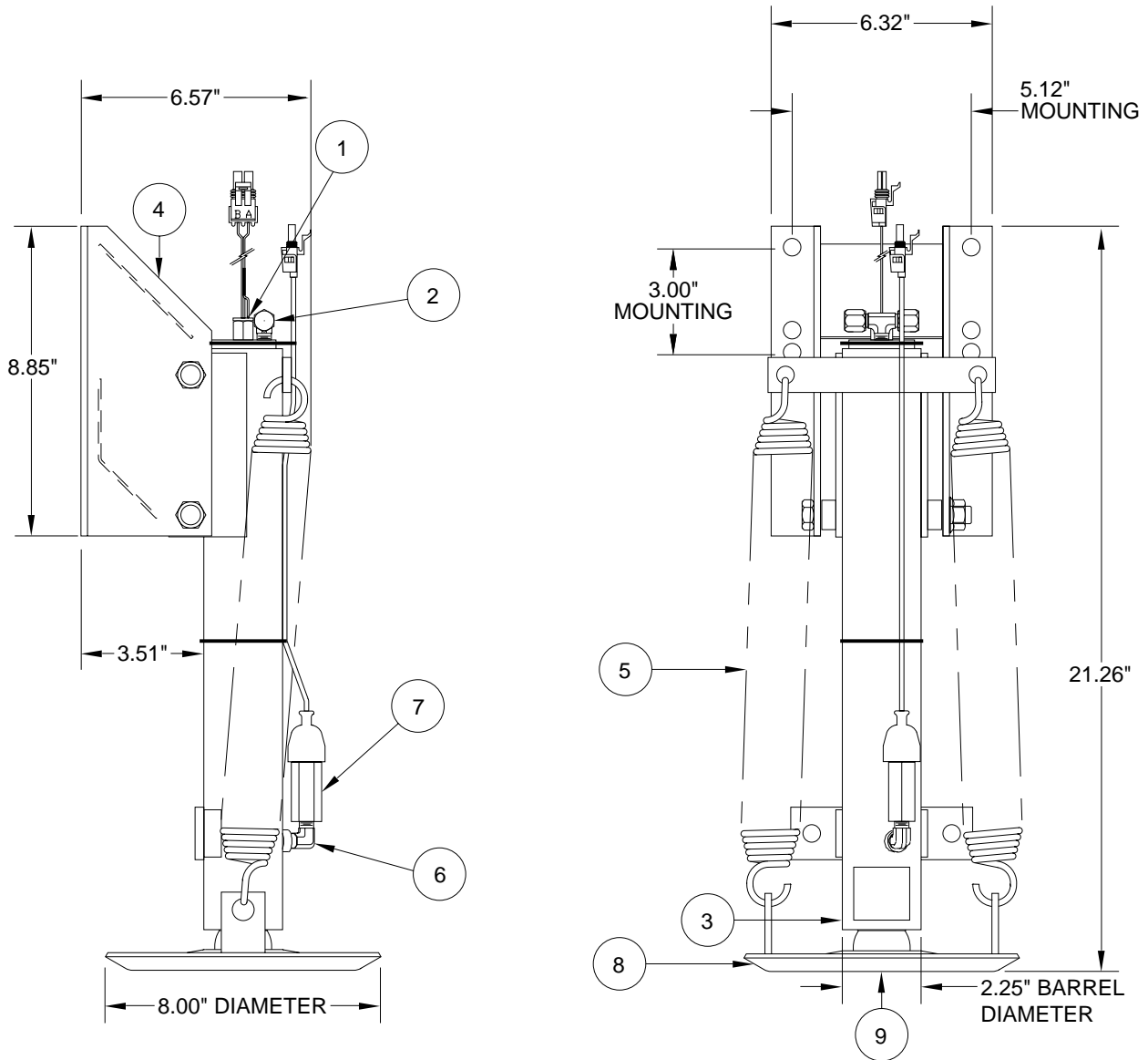
NOTE: INDENTED ITEMS ARE INCLUDED WITH PRECEDING ITEM.

**MR25.2800
17SEP20**

AP44322 - OBSOLETE

STRAIGHT-ACTING JACK, FIXED

6,000 # CAPACITY; 1.625" ROD DIAMETER; 13.00" STROKE; BOLT-ON FOOT WITH MAGNETIC WARNING SWITCH AND PRESSURE SWITCH



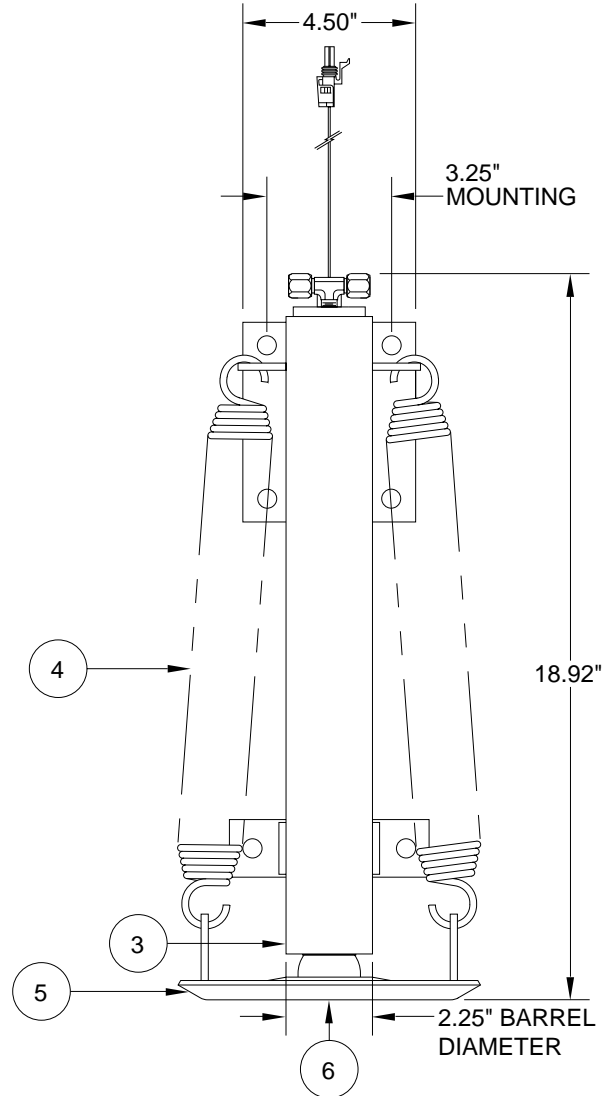
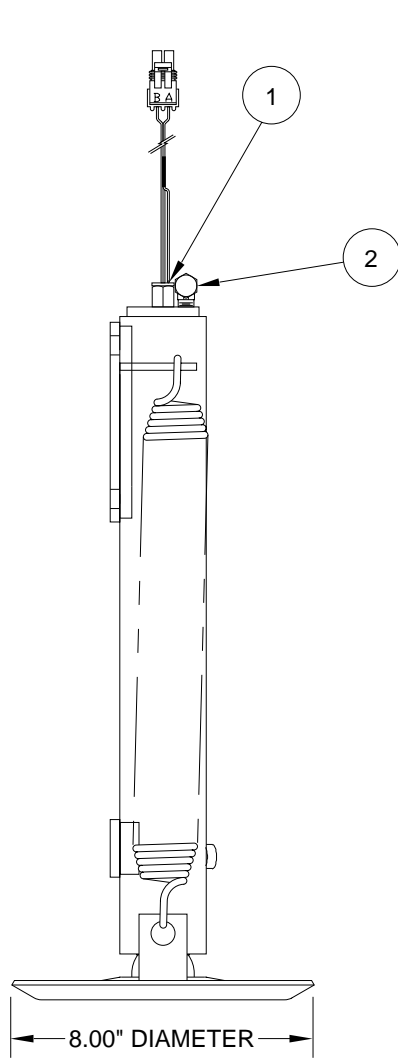
ITEM	PART	QTY	DESCRIPTION
	N/A		OBSOLETE JACK SEE RAP44445
1	RAP26641	1	SWITCH WARNING MAGNETIC GRAY
2	RF6966	1	MALE TEE 1/8" X 1/4" X 1/4"
3	N/A	1	CYL. ASSY. - OBSOLETE REPLACE WITH COMPLETE JACK - RAP44445
4	N/A	1	PIVOT BRKT. - OBSOLETE REPLACE WITH COMPLETE JACK - RAP44445

ITEM	PART	QTY	DESCRIPTION
5	R3847	1	SPRING KIT 1-11/16" X 14"
		2	SPRING 1-11/16" X 14"
6	RF8143	1	ELBOW 1/8" X 1/8"
7	RAP8003	1	SWITCH PRESSURE
8	RAP36048	1	FOOT 8.00" DIAMETER (INCLUDES ITEM 9) (REPLACES RAP92048)
9	RAP93768	1	SPHERE & STUD KIT FOR FOOT

NOTE: INDENTED ITEMS ARE INCLUDED WITH PRECEDING ITEM.

MR25.2800A
17SEP20

AP44594 - RAP44594
STRAIGHT-ACTING JACK, FIXED
6,000 # CAPACITY; 1.625" ROD DIAMETER; 13.00" STROKE; BOLT-ON FOOT



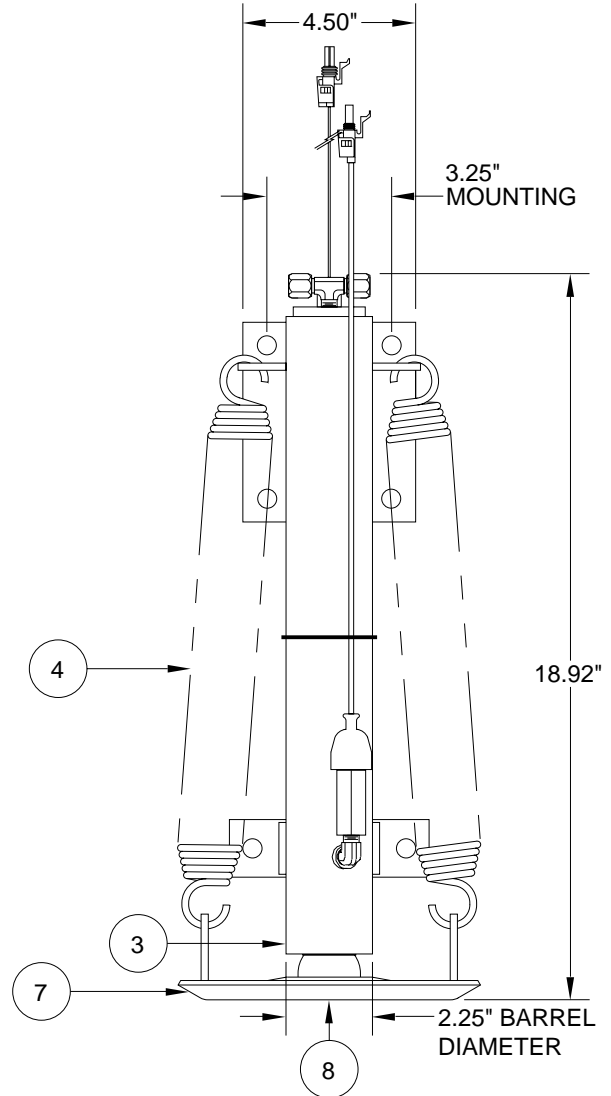
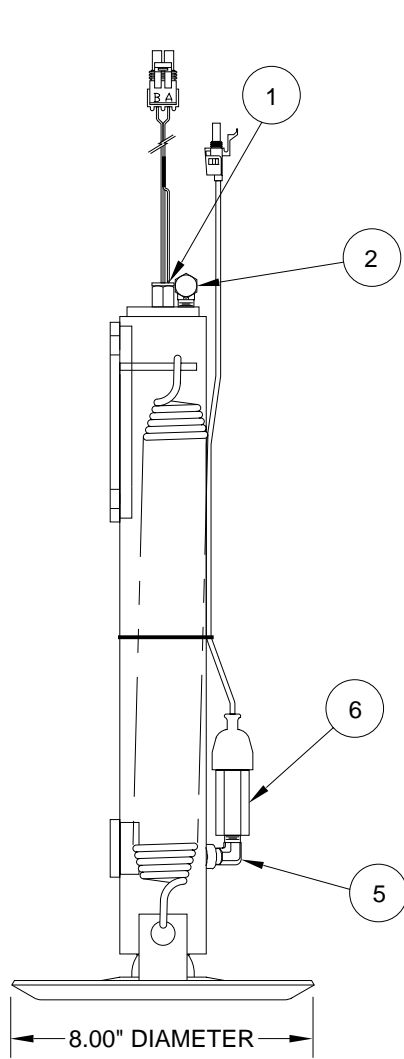
ITEM	PART	QTY	DESCRIPTION
	RAP44594		JACK 6,000 # X 13" FIXED (REPLACES AP44594 / RX93038)
1	RAP26641	1	SWITCH WARNING MAGNETIC GRAY
2	RF6966	1	MALE TEE 1/8" X 1/4" X 1/4"
3	RAP44429	1	CYL. ASSY. 1.625" x 13" (INCLUDES ITEM 2 ONLY) (REPLACES RAP92557)

ITEM	PART	QTY	DESCRIPTION
4	R3847	1	SPRING KIT 1-11/16" X 14"
		2	SPRING 1-11/16" X 14"
5	RAP36048	1	FOOT 8.00" DIAMETER (INCLUDES ITEM 6) (REPLACES RAP92048)
6	RAP93768	1	SPHERE & STUD KIT FOR FOOT

NOTE: INDENTED ITEMS ARE INCLUDED WITH PRECEDING ITEM.

MR25.2805
17SEP20

AP44595 - RAP44595
STRAIGHT-ACTING JACK, FIXED
6,000 # CAPACITY; 1.625" ROD DIAMETER; 13.00" STROKE; BOLT-ON FOOT



ITEM	PART	QTY	DESCRIPTION
	RAP44595		JACK 6,000 # X 13" FIXED (REPLACES AP44595 / RX93039)
1	RAP26641	1	SWITCH WARNING MAGNETIC GRAY
2	RF6966	1	MALE TEE 1/8" X 1/4" X 1/4"
3	RAP44429	1	CYL. ASSY. 1.625" x 13" (INCLUDES ITEM 2 ONLY) (REPLACES RAP92557)

ITEM	PART	QTY	DESCRIPTION
4	R3847	1	SPRING KIT 1-11/16" X 14"
		2	SPRING 1-11/16" X 14"
5	RF8143	1	ELBOW 1/8" X 1/8"
6	RAP8003	1	SWITCH PRESSURE
7	RAP36048	1	FOOT 8.00" DIAMETER (INCLUDES ITEM 8) (REPLACES RAP92048)
8	RAP93768	1	SPHERE & STUD KIT FOR FOOT

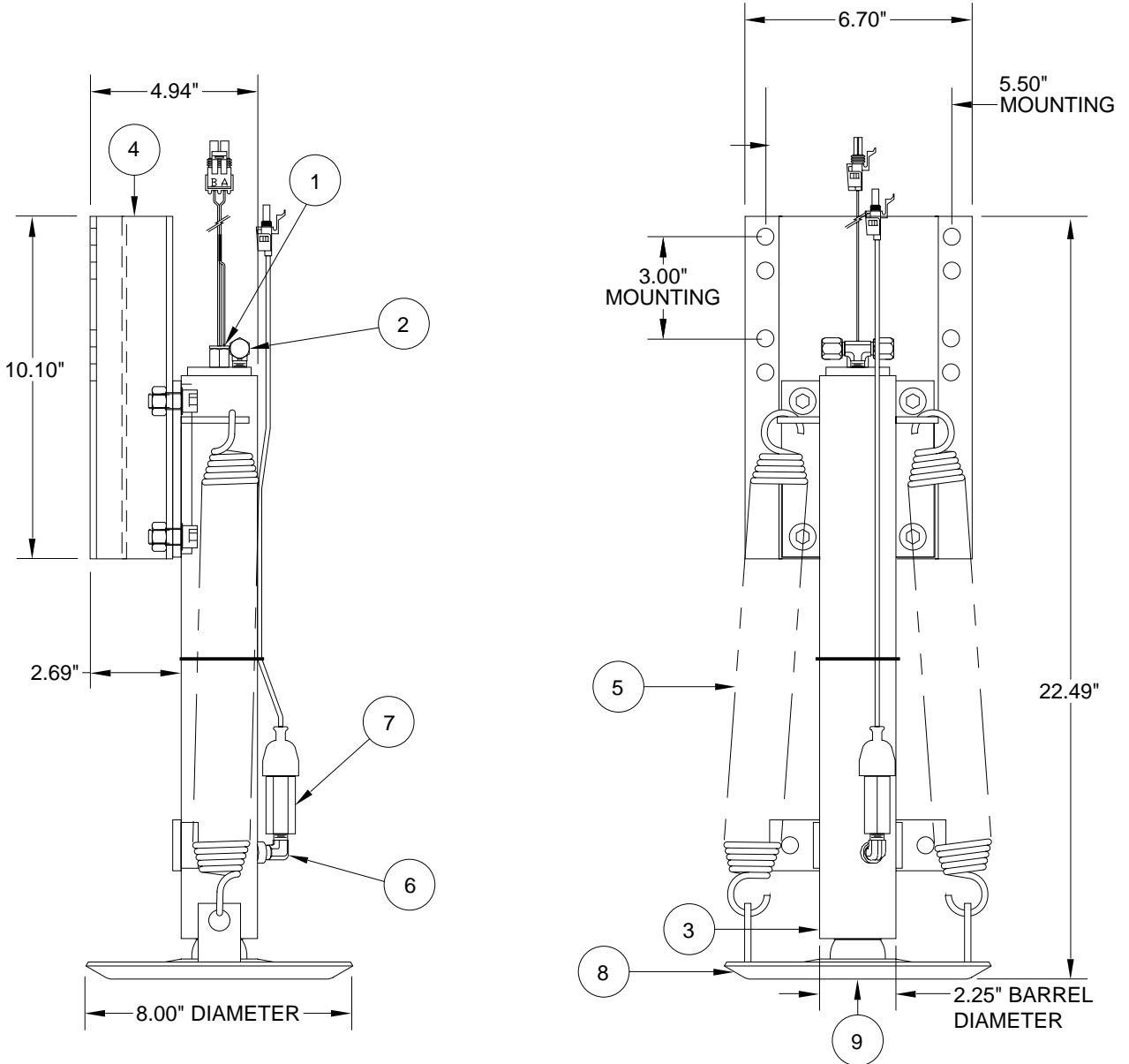
NOTE: INDENTED ITEMS ARE INCLUDED WITH PRECEDING ITEM.

MR25.2805A
17SEP20

AP44659 - RAP44659

STRAIGHT-ACTING JACK, FIXED

6,000 # CAPACITY; 1.625" ROD DIAMETER; 13.00" STROKE; BOLT-ON FOOT WITH MAGNETIC WARNING SWITCH AND PRESSURE SWITCH



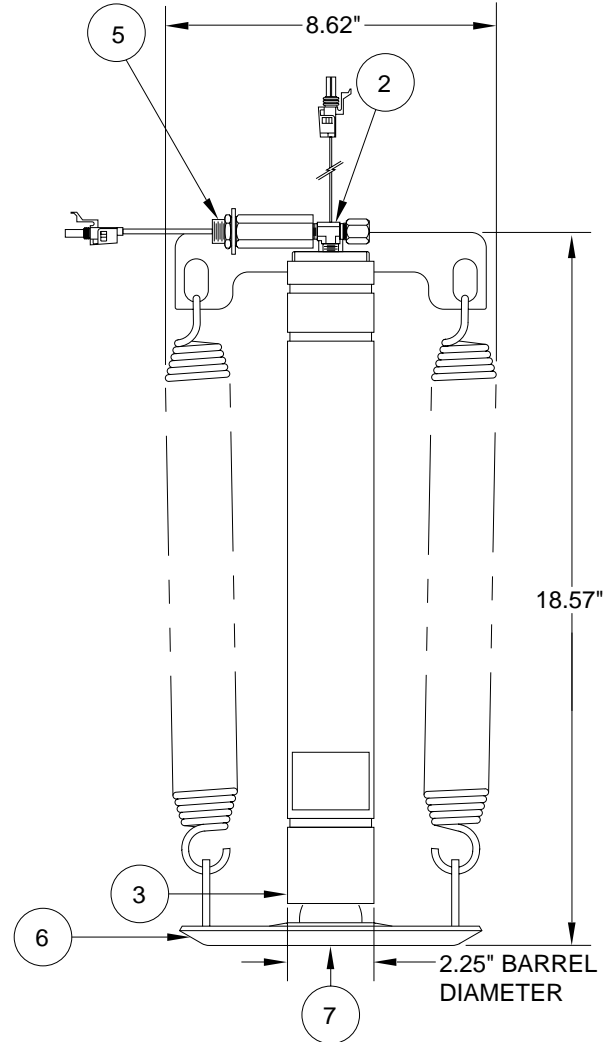
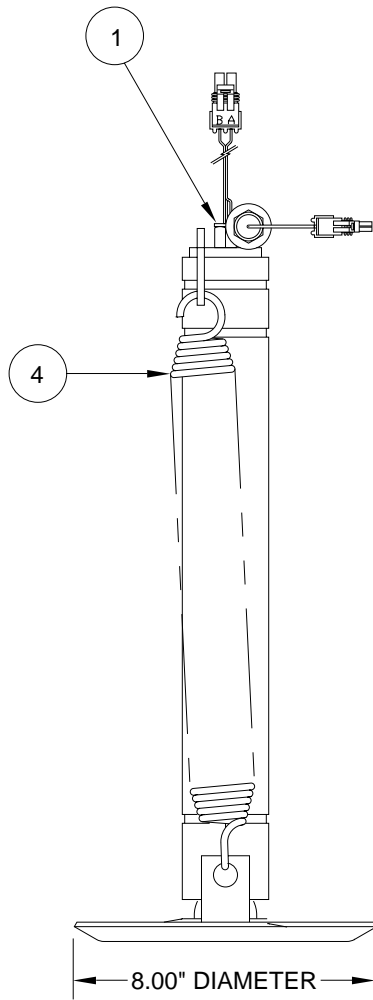
ITEM	PART	QTY	DESCRIPTION
	RAP44659		JACK 6,000 # X 13" FIXED (REPLACES AP44659)
1	RAP26641	1	SWITCH WARNING MAGNETIC GRAY
2	RF6966	1	MALE TEE 1/8" X 1/4" X 1/4"
3	RAP44429	1	CYL. ASSY. 1.625" x 13" (INCLUDES ITEM 2 ONLY) (REPLACES RAP92557)
4	RAP44635	1	MOUNTING BRACKET (INCLUDES HARDWARE) (REPLACES RAP92559)

ITEM	PART	QTY	DESCRIPTION
5	R3847	1	SPRING KIT 1-11/16" X 14"
		2	SPRING 1-11/16" X 14"
6	RF8143	1	ELBOW 1/8" X 1/8"
7	RAP8003	1	SWITCH PRESSURE
8	RAP36048	1	FOOT 8.00" DIAMETER (INCLUDES ITEM 9) (REPLACES RAP92048)
9	RAP93768	1	SPHERE & STUD KIT FOR FOOT

NOTE: INDENTED ITEMS ARE INCLUDED WITH PRECEDING ITEM.

**MR25.2810
17SEP20**

AP48138 - RAP48138
STRAIGHT-ACTING JACK, FIXED
6,000 # CAPACITY; 1.625" ROD DIAMETER; 13.00" STROKE; BOLT-ON FOOT



ITEM	PART	QTY	DESCRIPTION
	RAP48138		JACK 6,000 # X 13" FIXED (REPLACES AP48138)
1	RAP26641	1	SWITCH WARNING MAGNETIC GRAY
2	RF0734	1	MALE TEE SPECIAL
3	RAP46761	1	CYL. ASSY. 1.625" x 13" (INCLUDES ITEM 2 ONLY) (REPLACES RAP92726)

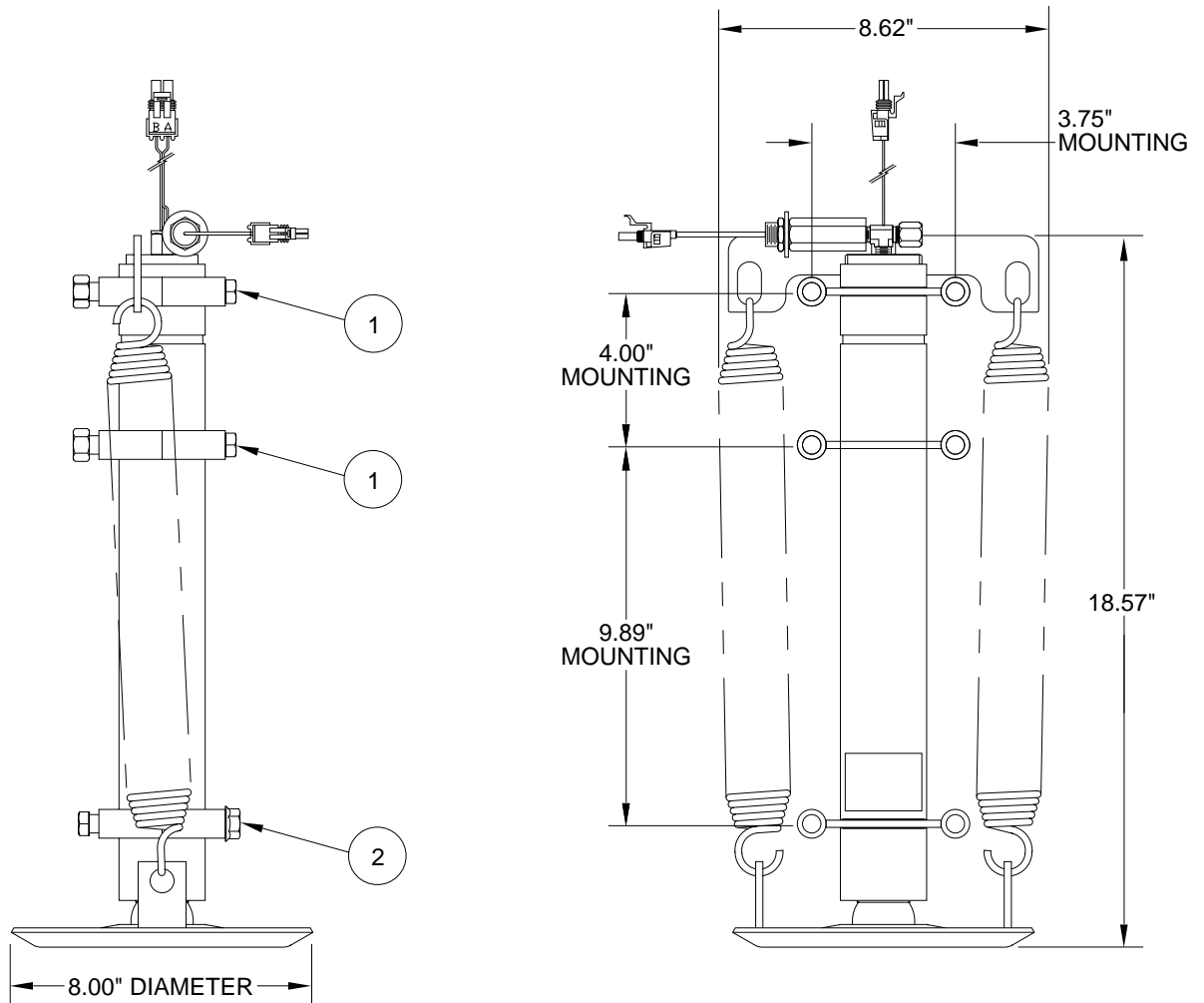
ITEM	PART	QTY	DESCRIPTION
4	R3847	1	SPRING KIT 1-11/16" X 14"
		2	SPRING 1-11/16" X 14"
5	RAP8003	1	SWITCH PRESSURE
6	RAP36048	1	FOOT 8.00" DIAMETER (INCLUDES ITEM 7) (REPLACES RAP92048)
7	RAP93768	1	SPHERE & STUD KIT FOR FOOT

NOTE: INDENTED ITEMS ARE INCLUDED WITH PRECEDING ITEM.

MR25.2813
17SEP20

AP46763

STRAIGHT-ACTING JACK, FIXED - OBSOLETE 6,000 # CAPACITY; 1.625" ROD DIAMETER; 13.00" STROKE; BOLT-ON FOOT WITH MAGNETIC WARNING SWITCH AND PRESSURE SWITCH



ITEM	PART	QTY	DESCRIPTION
			FOR CYLINDER, SPRING, SWITCH, AND FOOT INFORMATION SEE AP48138
	RX92724		OBSOLETE JACK SEE RAP51775

ITEM	PART	QTY	DESCRIPTION
1	RAP93109	1	CLAMP KIT WELD ON INCLUDES HARDWARE, DOES NOT INCLUDE ITEM #2
2	RAP93110	1	CROSSTIE CLAMP KIT INCLUDES HARDWARE, AND CROSSITE MOUNTING ANGLE

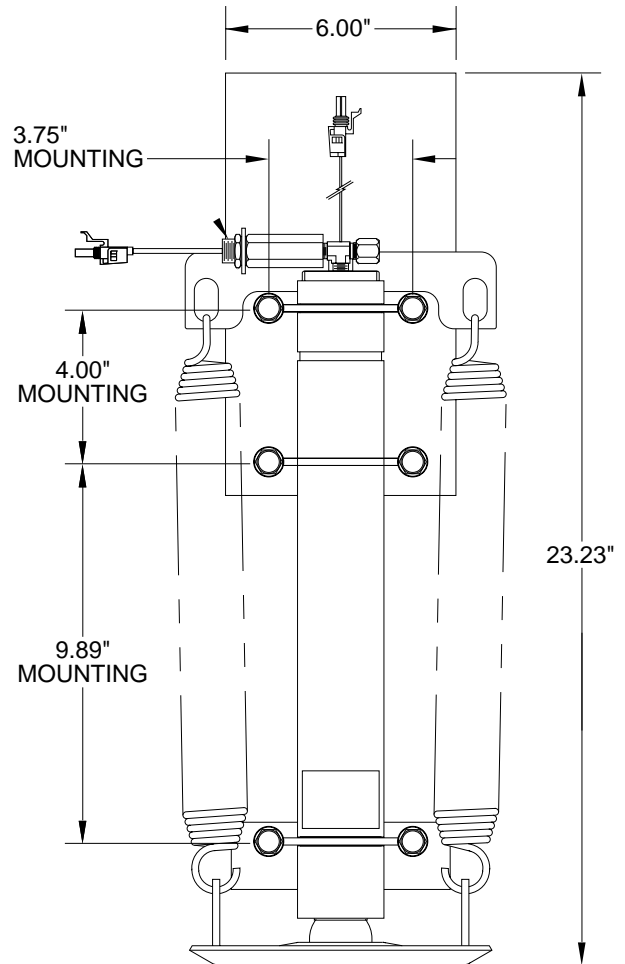
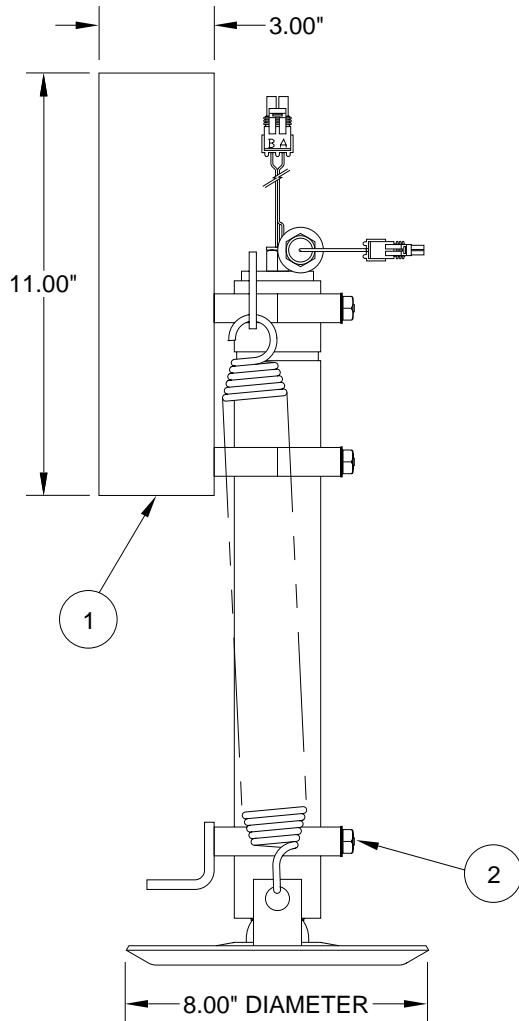
NOTE: INDENTED ITEMS ARE INCLUDED WITH PRECEDING ITEM.

MR25.2813A
17SEP20

AP48086 - RAP48086

STRAIGHT-ACTING JACK, FIXED

6,000 # CAPACITY; 1.625" ROD DIAMETER; 13.00" STROKE; BOLT-ON FOOT WITH MAGNETIC WARNING SWITCH AND PRESSURE SWITCH



ITEM	PART	QTY	DESCRIPTION
			FOR CYLINDER, SPRING, SWITCH, AND FOOT INFORMATION SEE AP48138
	RAP48086		JACK 6,000 # X 13" FIXED (REPLACES AP48086 / RX93497)

ITEM	PART	QTY	DESCRIPTION
1	RAP48080	1	MOUNTING BRACKET ASSEMBLY. INCLUDES OUTER CLAMPS AND HARDWARE. DOES NOT INCLUDE ITEM #2. (REPLACES RAP93040)
2	RAP93110	1	CROSSTIE CLAMP KIT INCLUDES INNER CLAMP, OUTER CLAMP, ANGLE BRACKET AND HARDWARE.

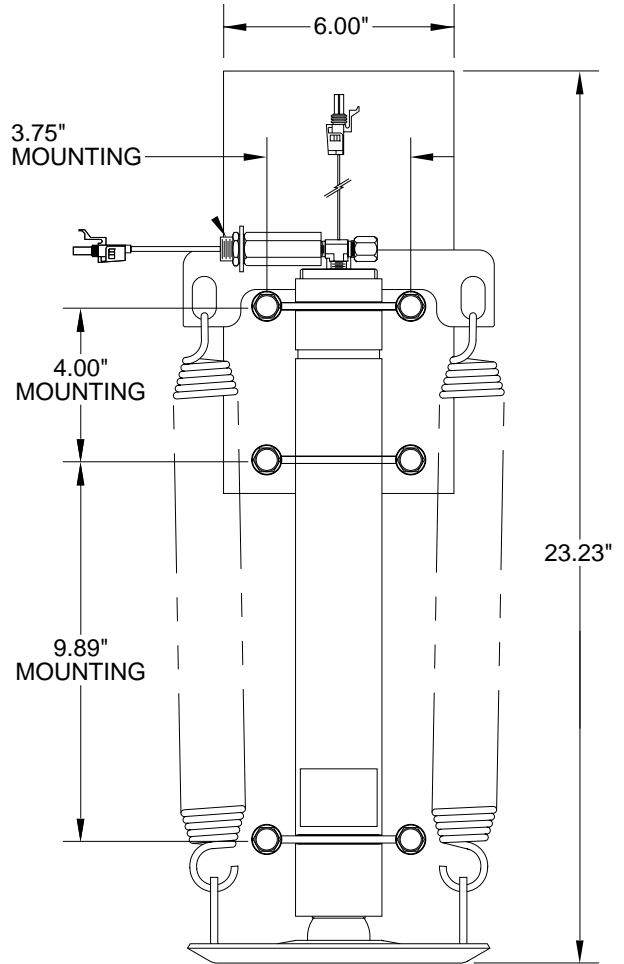
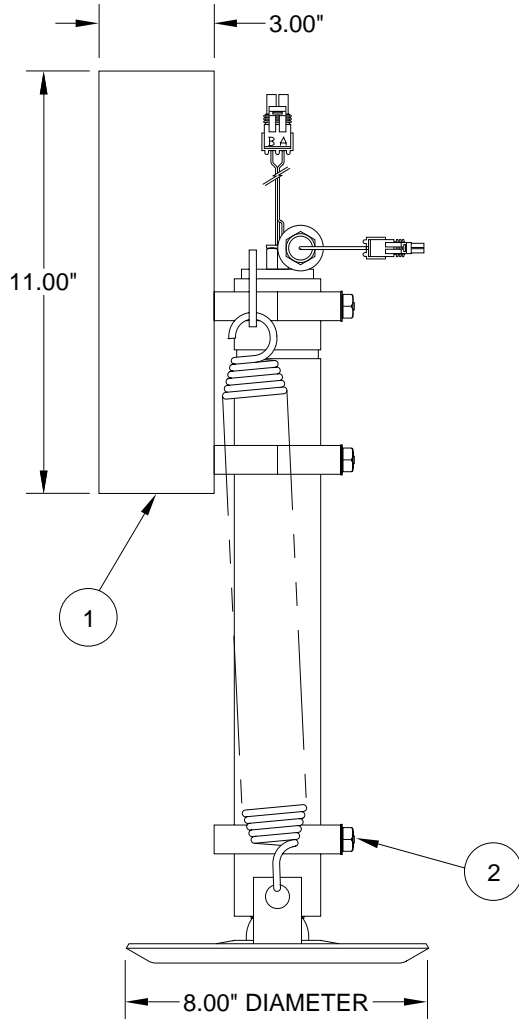
NOTE: INDENTED ITEMS ARE INCLUDED WITH PRECEDING ITEM.

MR25.2813B
17SEP20

AP50022 - RAP50022

STRAIGHT-ACTING JACK, FIXED

6,000 # CAPACITY; 1.625" ROD DIAMETER; 13.00" STROKE; BOLT-ON FOOT WITH MAGNETIC WARNING SWITCH AND PRESSURE SWITCH



ITEM	PART	QTY	DESCRIPTION
			FOR CYLINDER, SPRING, SWITCH, AND FOOT INFORMATION SEE AP48138
	RAP50022		JACK 6,000 # X 13" FIXED (REPLACES AP50022)
1	RAP48080	1	MOUNTING BRACKET ASSEMBLY. INCLUDES OUTER CLAMPS AND HARDWARE. DOES NOT INCLUDE ITEM #2. (REPLACES RAP93040)

ITEM	PART	QTY	DESCRIPTION
2	RAP93110	1	CROSSTIE CLAMP KIT INCLUDES INNER CLAMP, OUTER CLAMP, ANGLE BRACKET AND HARDWARE.

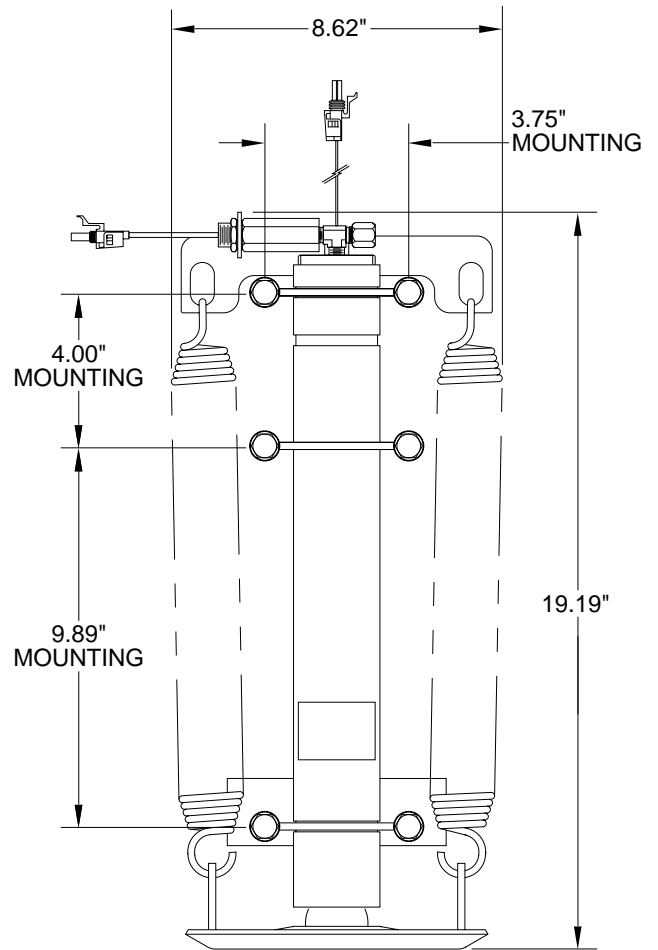
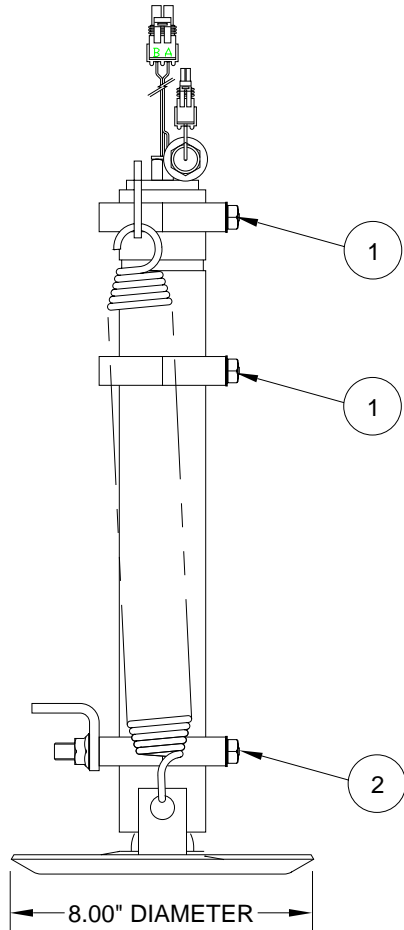
NOTE: INDENTED ITEMS ARE INCLUDED WITH PRECEDING ITEM.

MR25.2813C
17SEP20

AP51775 - RAP51775

STRAIGHT-ACTING JACK, FIXED

6,000 # CAPACITY; 1.625" ROD DIAMETER; 13.00" STROKE; BOLT-ON FOOT WITH MAGNETIC WARNING SWITCH AND PRESSURE SWITCH



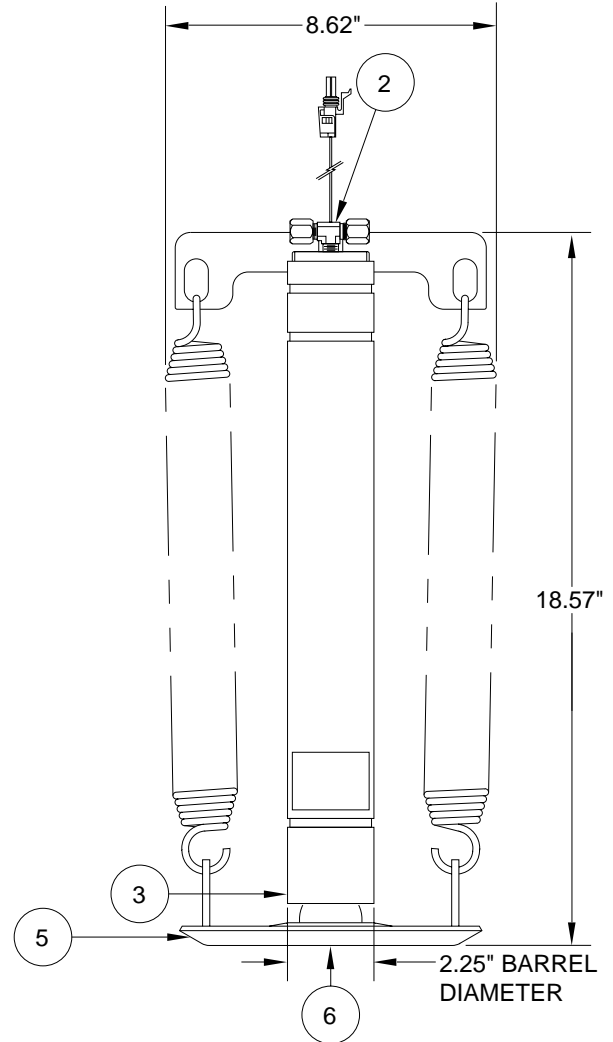
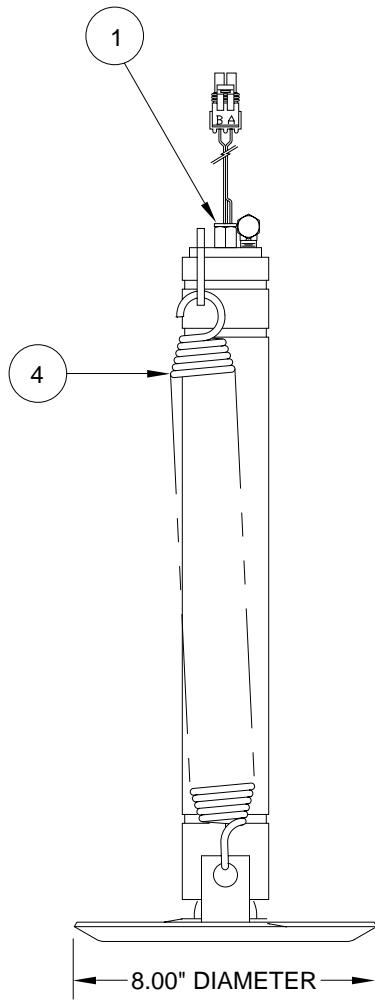
ITEM	PART	QTY	DESCRIPTION
			FOR CYLINDER, SPRING, SWITCH, AND FOOT INFORMATION SEE AP48138
	RAP51775		JACK 6,000 # X 13" FIXED (REPLACES AP51775)
1	RAP93109	1	CLAMP KIT WELD ON INCLUDES HARDWARE, DOES NOT INCLUDE ITEM #2.

ITEM	PART	QTY	DESCRIPTION
2	RAP93110	1	CROSSTIE CLAMP KIT INCLUDES HARDWARE, AND CROSSTIE MOUNTING ANGLE

NOTE: INDENTED ITEMS ARE INCLUDED WITH PRECEDING ITEM.

MR25.2813D
17SEP20

AP46762 - RX46762
STRAIGHT-ACTING JACK, FIXED
6,000 # CAPACITY; 1.625" ROD DIAMETER; 13.00" STROKE; BOLT-ON FOOT



ITEM	PART	QTY	DESCRIPTION
	RX46762		JACK 6,000 # X 13" FIXED (REPLACES AP46762 / RX92725)
1	RAP26641	1	SWITCH WARNING MAGNETIC GRAY
2	RF0734	1	MALE TEE SPECIAL
3	RAP46761	1	CYL. ASSY. 1.625" x 13" (INCLUDES ITEM 2 ONLY) (REPLACES RAP92726)

ITEM	PART	QTY	DESCRIPTION
4	R3847	1	SPRING KIT 1-11/16" X 14"
		2	SPRING 1-11/16" X 14"
5	RAP36048	1	FOOT 8.00" DIAMETER (INCLUDES ITEM 6) (REPLACES RAP92048)
6	RAP93768	1	SPHERE & STUD KIT FOR FOOT

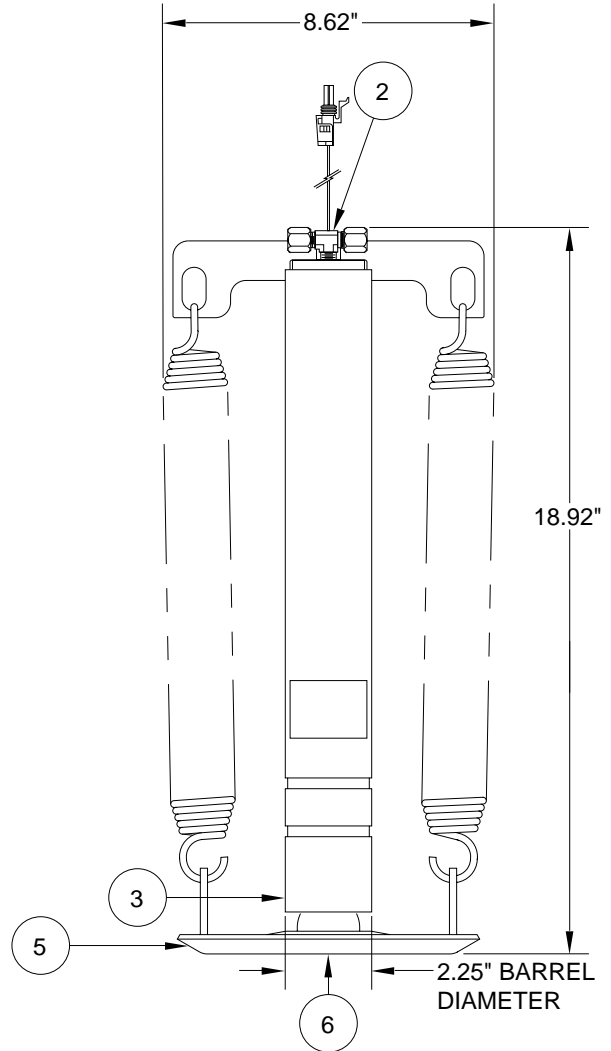
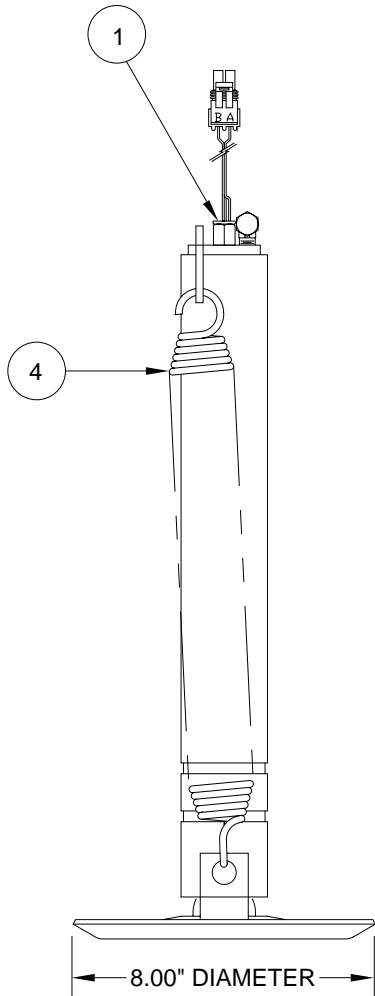
NOTE: INDENTED ITEMS ARE INCLUDED WITH PRECEDING ITEM.

MR25.2813L
25AUG20

AP51845 - RAP51845

STRAIGHT-ACTING JACK, FIXED

6,000 # CAPACITY; 1.625" ROD DIAMETER; 13.00" STROKE; BOLT-ON FOOT WITH MAGNETIC WARNING SWITCH AND PRESSURE SWITCH



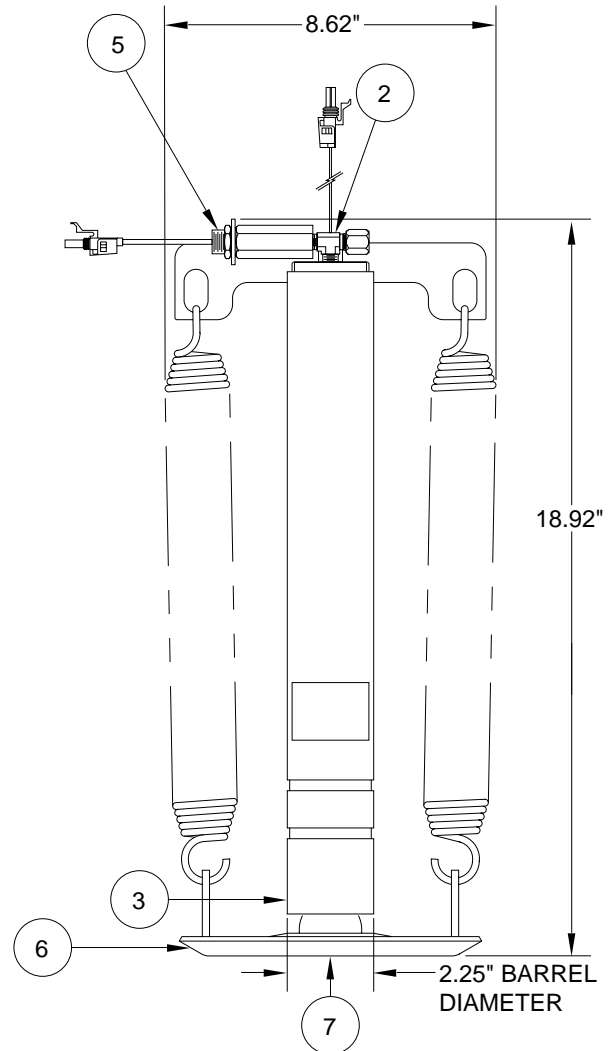
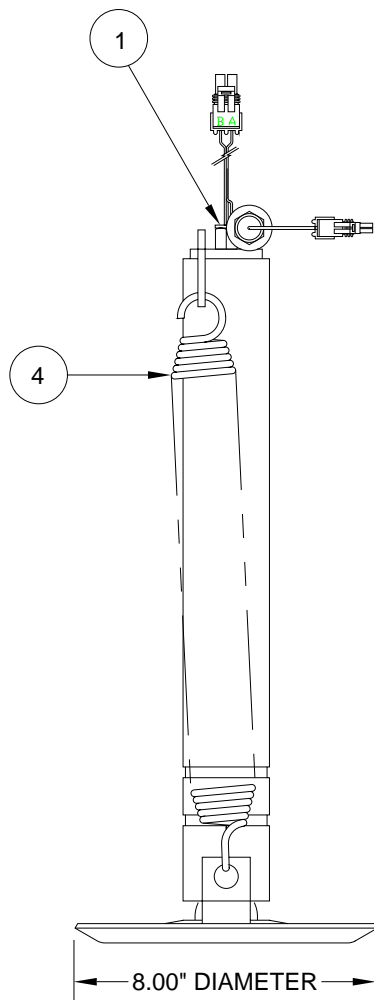
ITEM	PART	QTY	DESCRIPTION
	RAP51845		JACK 6,000 # X 13" FIXED (REPLACES AP51845)
1	RAP26641	1	SWITCH WARNING MAGNETIC GRAY
2	RF0734	1	MALE TEE SPECIAL
3	RAP51844	1	CYL. ASSY. 1.625" x 13" (INCLUDES ITEM 2 ONLY) (REPLACES RAP93608)

ITEM	PART	QTY	DESCRIPTION
4	R3847	1	SPRING KIT 1-11/16" X 14"
		2	SPRING 1-11/16" X 14"
5	RAP36048	1	FOOT 8.00" DIAMETER (INCLUDES ITEM 6) (REPLACES RAP92048)
6	RAP93768	1	SPHERE & STUD KIT FOR FOOT

NOTE: INDENTED ITEMS ARE INCLUDED WITH PRECEDING ITEM.

MR25.2814
17SEP20

AP51847 - RAP51847
STRAIGHT-ACTING JACK, FIXED
6,000 # CAPACITY; 1.625" ROD DIAMETER; 13.00" STROKE; BOLT-ON FOOT
WITH MAGNETIC WARNING SWITCH AND PRESSURE SWITCH



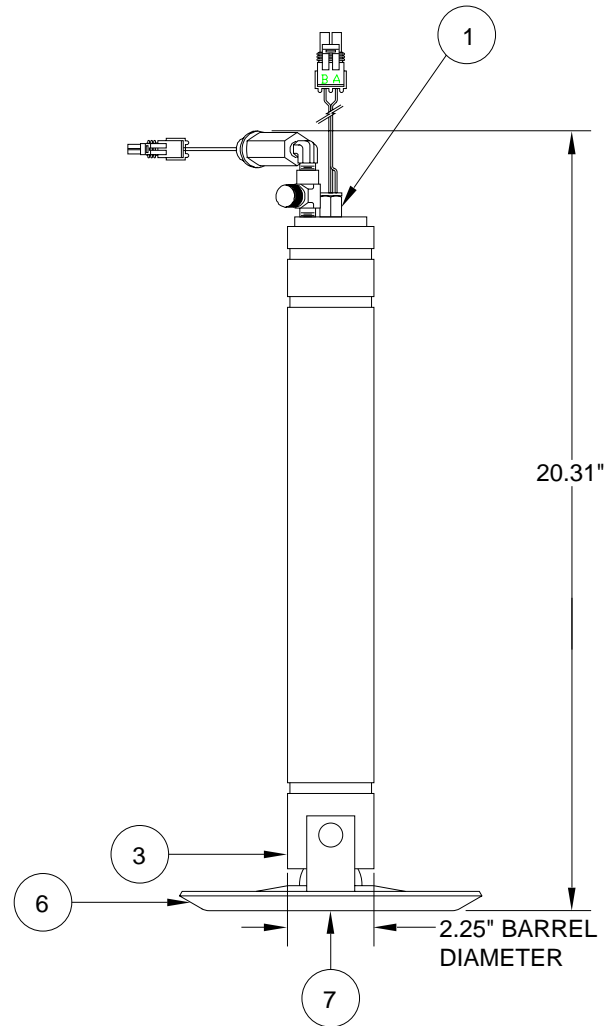
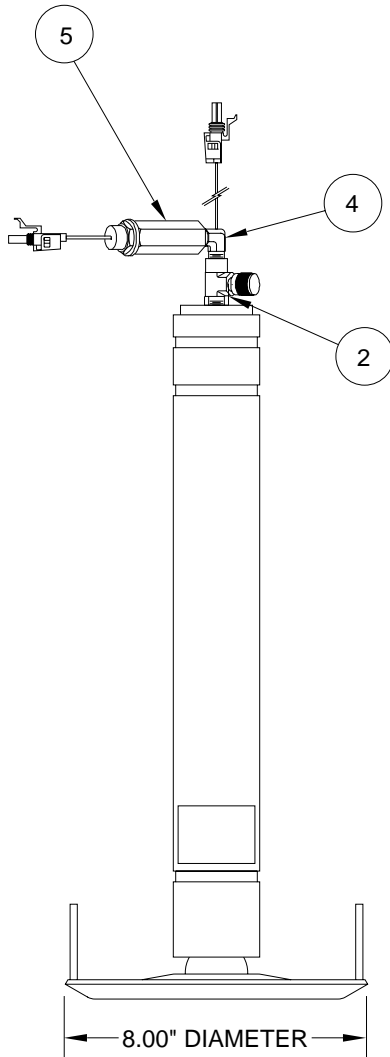
ITEM	PART	QTY	DESCRIPTION
	RAP51847		JACK 6,000 # X 13" FIXED (REPLACES AP51847)
1	RAP26641	1	SWITCH WARNING MAGNETIC GRAY
2	RF0734	1	MALE TEE SPECIAL
3	RAP51844	1	CYL. ASSY. 1.625" x 13" (INCLUDES ITEM 2 ONLY) (REPLACES RAP93608)

ITEM	PART	QTY	DESCRIPTION
4	R3847	1	SPRING KIT 1-11/16" X 14"
		2	SPRING 1-11/16" X 14"
5	RAP8003	1	SWITCH PRESSURE
6	RAP36048	1	FOOT 8.00" DIAMETER (INCLUDES ITEM 7) (REPLACES RAP92048)
7	RAP93768	1	SPHERE & STUD KIT FOR FOOT

NOTE: INDENTED ITEMS ARE INCLUDED WITH PRECEDING ITEM.

MR25.2814A
17SEP20

AP52645 - RAP52645
STRAIGHT-ACTING JACK, FIXED
6,000 # CAPACITY; 1.625" ROD DIAMETER; 13.00" STROKE; BOLT-ON FOOT
WITH MAGNETIC WARNING SWITCH AND PRESSURE SWITCH



ITEM	PART	QTY	DESCRIPTION
	RAP52645		JACK 6,000 # X 13" FIXED (REPLACES AP52645)
1	RAP26641	1	SWITCH WARNING MAGNETIC GRAY
2	RF52637	1	TEE 7/16" x 1/8" NPT
3	RAP52644	1	CYL. ASSY. 1.625" x 13" (INCLUDES ITEM 2&4 ONLY) (REPLACES RAP93621)

ITEM	PART	QTY	DESCRIPTION
4	RF8143	1	ELBOW 1/8" X 1/8"
5	RAP8003	1	SWITCH PRESSURE
6	RAP39906	1	FOOT 8.00" DIAMETER (INCLUDES ITEM 7) (REPLACES RAP92406)
7	RAP93768	1	SPHERE & STUD KIT FOR FOOT

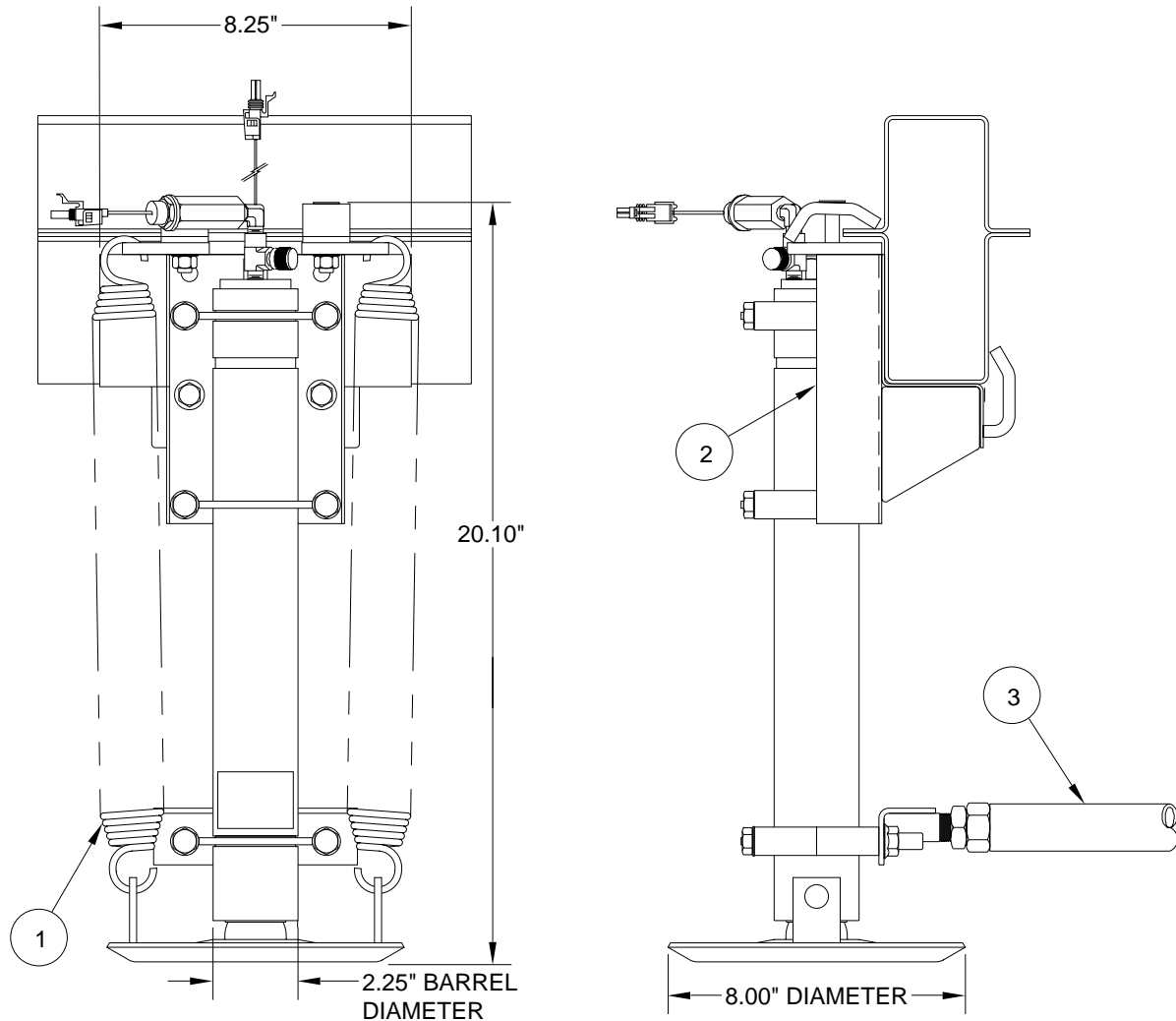
NOTE: INDENTED ITEMS ARE INCLUDED WITH PRECEDING ITEM.

MR25.2815
17SEP20

AP52759 REAR JACK KIT

6,000 # CAPACITY; 1.625" ROD DIAMETER; 13.00" STROKE; BOLT-ON FOOT WITH MAGNETIC WARNING SWITCH AND PRESSURE SWITCH

LEFT SIDE JACK SHOWN, RIGHT SIDE SIMILAR.



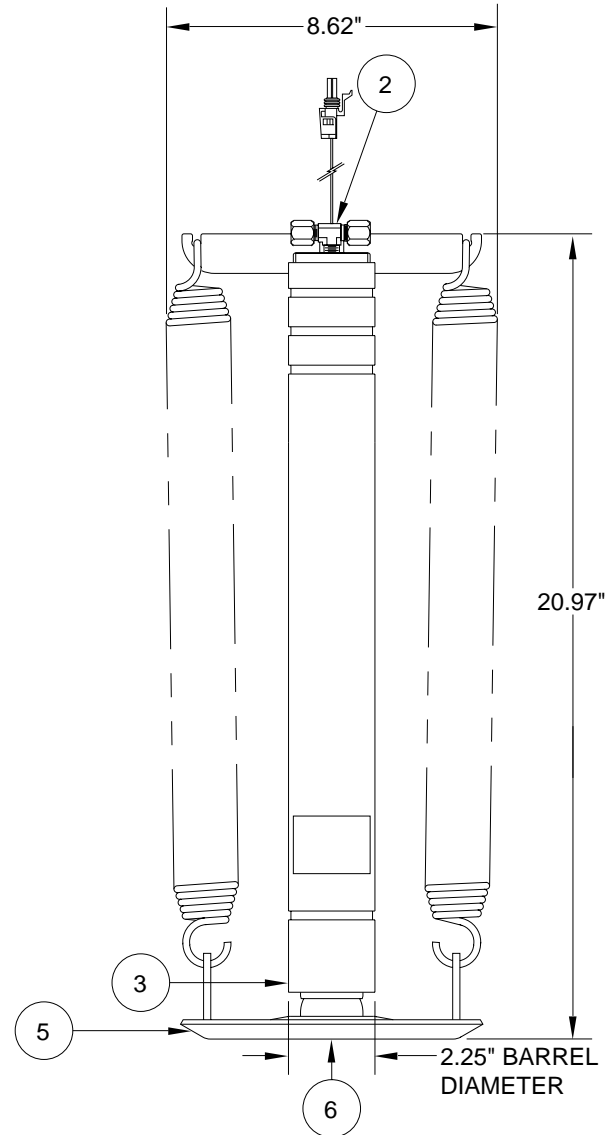
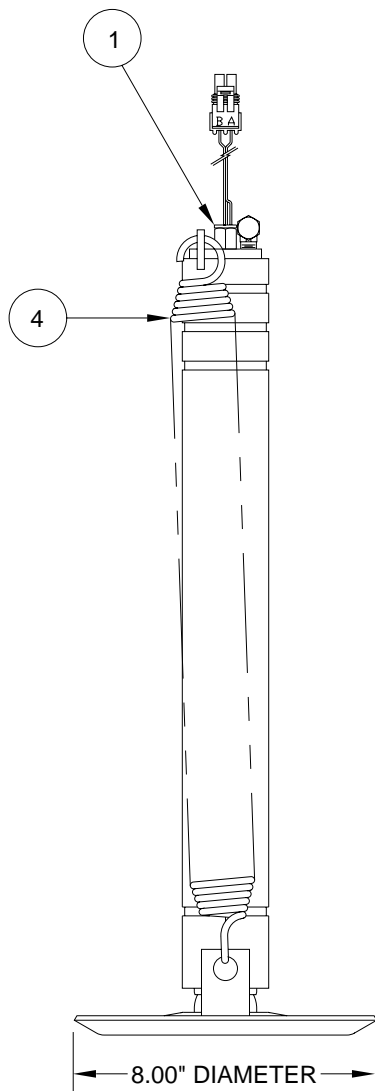
USED PRIMARILY ON THE REAR OF 2008 AND LATER DODGE SPRINTER 3500 CHASSIS WITH V6 ENGINE.

ITEM	PART	QTY	DESCRIPTION	ITEM	PART	QTY	DESCRIPTION
			FOR CYLINDER, SWITCH, AND FOOT INFORMATION SEE AP52645	3	RAP93620	1	CROSSTIE KIT
1	R3847	1	SPRING KIT 1-11/16" X 14"			2	INNER BRACKET
		2	SPRING 1-11/16" X 14"			2	OUTER BRACKET
2	RAP93619	1	JACK MTG BRKT KIT			1	CROSSTIE ANGLE-RH
		1	BRACKET WELDMENT			1	CROSSTIE ANGLE-LH
		1	INNER BRACKET			1	CROSSTIE WELDMENT
		1	OUTER BRACKET			4	7/16-14 x 4.5" BOLT
		2	CLIP SMALL			4	7/16" HEX NUT
		1	CLIP LARGE			1	3/4" JAM NUT
		2	WASHER 3/4" OD x 7/16" ID			1	3/4" JAM NUT LH
		2	3/8-16 x 2" BOLT				
		2	3/8-16 x 4.5" BOLT				
		4	7/16-14 x 2.25" BOLT				
		2	3/16" WHIZ NUT				
		2	3/16" LOCK NUT				
		4	7/16" LOCK WASHER				
		2	3/8" FLAT WASHER				

NOTE : INDENTED ITEMS ARE INCLUDED WITH PRECEDING ITEM.

**MR25.2815A
25AUG20**

AP46766 - RAP46766
STRAIGHT-ACTING JACK, FIXED
6,000 # CAPACITY; 1.625" ROD DIAMETER; 15.00" STROKE; BOLT-ON FOOT



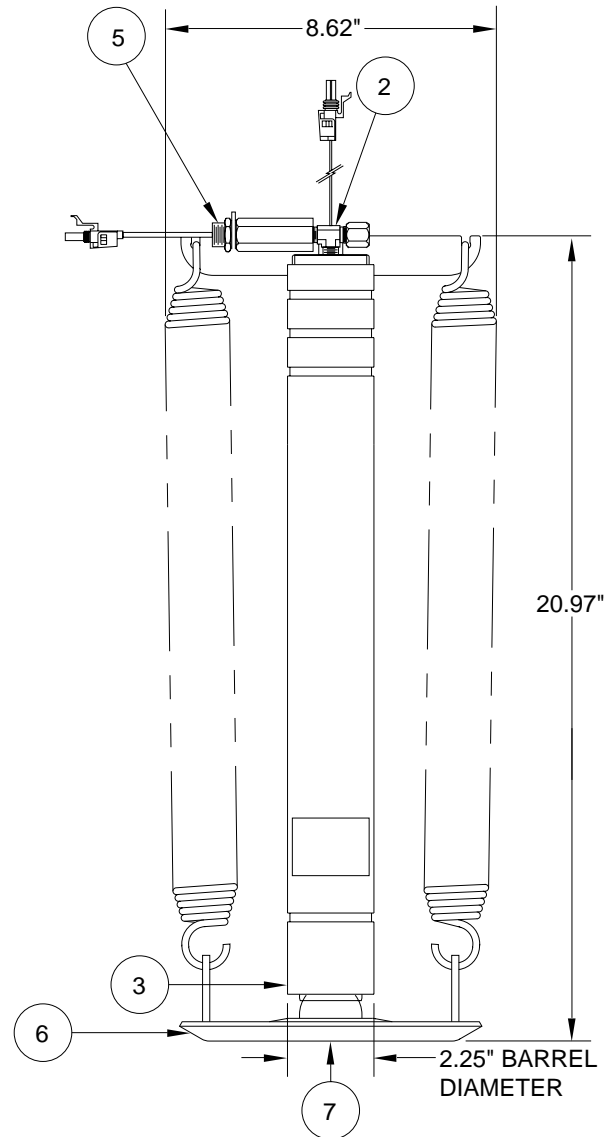
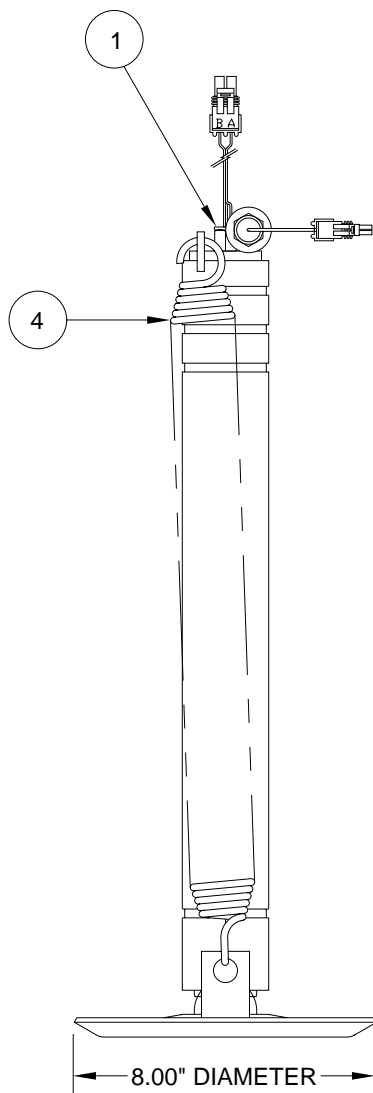
ITEM	PART	QTY	DESCRIPTION
	RAP46766		JACK 6,000 # X 15" FIXED (REPLACES AP46766)
1	RAP26641	1	SWITCH WARNING MAGNETIC GRAY
2	RF0734	1	MALE TEE SPECIAL
3	RAP46765	1	CYL. ASSY. 1.625" x 15" (INCLUDES ITEM 2 ONLY) (REPLACES RAP92804)

ITEM	PART	QTY	DESCRIPTION
4	R3848	1 2	SPRING KIT 1-11/16" X 18" SPRING 1-11/16" X 18"
5	RAP36048	1	FOOT 8.00" DIAMETER (INCLUDES ITEM 7) (REPLACES RAP92048)
6	RAP93768	1	SPHERE & STUD KIT FOR FOOT

NOTE: INDENTED ITEMS ARE INCLUDED WITH PRECEDING ITEM.

MR25.2820
17SEP20

AP46767 - RAP46767
STRAIGHT-ACTING JACK, FIXED
6,000 # CAPACITY; 1.625" ROD DIAMETER; 15.00" STROKE; BOLT-ON FOOT



ITEM	PART	QTY	DESCRIPTION
	RAP46767		JACK 6,000 # X 15" FIXED (REPLACES AP46767)
1	RAP26641	1	SWITCH WARNING MAGNETIC GRAY
2	RF0734	1	MALE TEE SPECIAL
3	RAP46765	1	CYL. ASSY. 1.625" x 15" (INCLUDES ITEM 2 ONLY) (REPLACES RAP92804)

ITEM	PART	QTY	DESCRIPTION
4	R3848	1	SPRING KIT 1-11/16" X 18"
		2	SPRING 1-11/16" X 18"
5	RAP8003	1	SWITCH PRESSURE
6	RAP36048	1	FOOT 8.00" DIAMETER (INCLUDES ITEM 7) (REPLACES RAP92048)
7	RAP93768	1	SPHERE & STUD KIT FOR FOOT

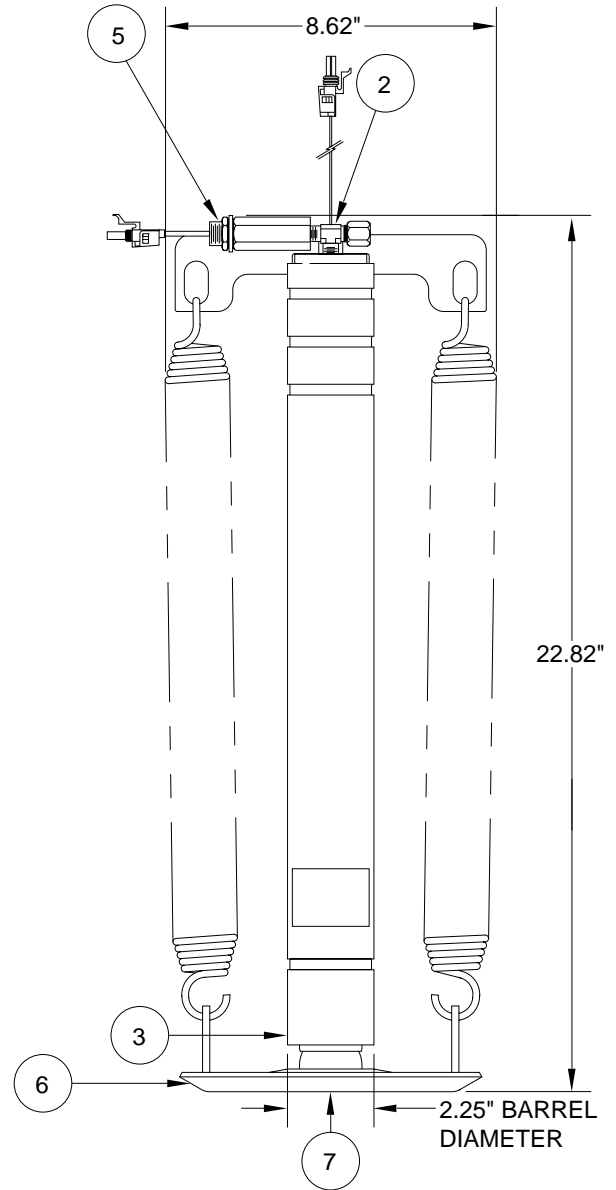
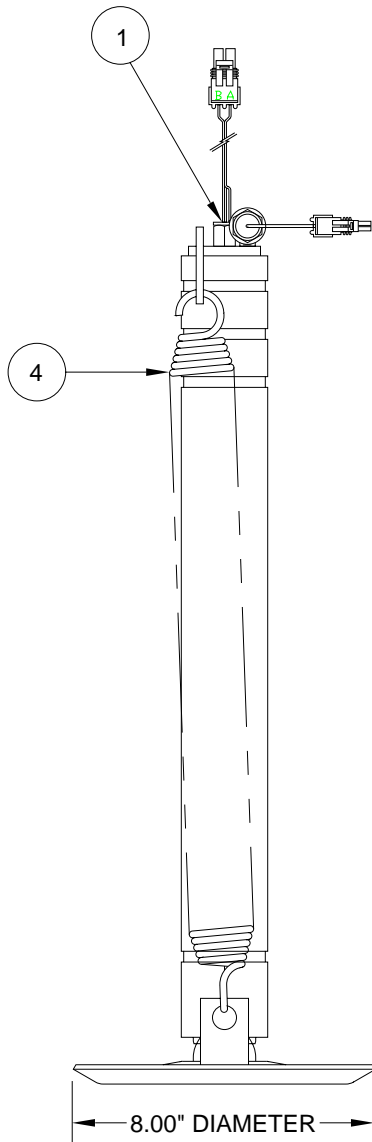
NOTE: INDENTED ITEMS ARE INCLUDED WITH PRECEDING ITEM.

MR25.2820A
17SEP20

AP51341 - RAP51341

STRAIGHT-ACTING JACK, FIXED

6,000 # CAPACITY; 1.625" ROD DIAMETER; 16.00" STROKE; BOLT-ON FOOT WITH MAGNETIC WARNING SWITCH AND PRESSURE SWITCH



ITEM	PART	QTY	DESCRIPTION
	RAP51341		JACK 6,000 # X 16" FIXED (REPLACES AP51341)
1	RAP26641	1	SWITCH WARNING MAGNETIC GRAY
2	RF0734	1	MALE TEE SPECIAL
3	RAP51340	1	CYL. ASSY. 1.625" x 16" (INCLUDES ITEM 2 ONLY) (REPLACES RAP93609)

ITEM	PART	QTY	DESCRIPTION
4	R3848	1 2	SPRING KIT 1-11/16" X 18" SPRING 1-11/16" X 18"
5	RAP8003	1	SWITCH PRESSURE
6	RAP36048	1	FOOT 8.00" DIAMETER (INCLUDES ITEM 7) (REPLACES RAP92048)
7	RAP93768	1	SPHERE & STUD KIT FOR FOOT

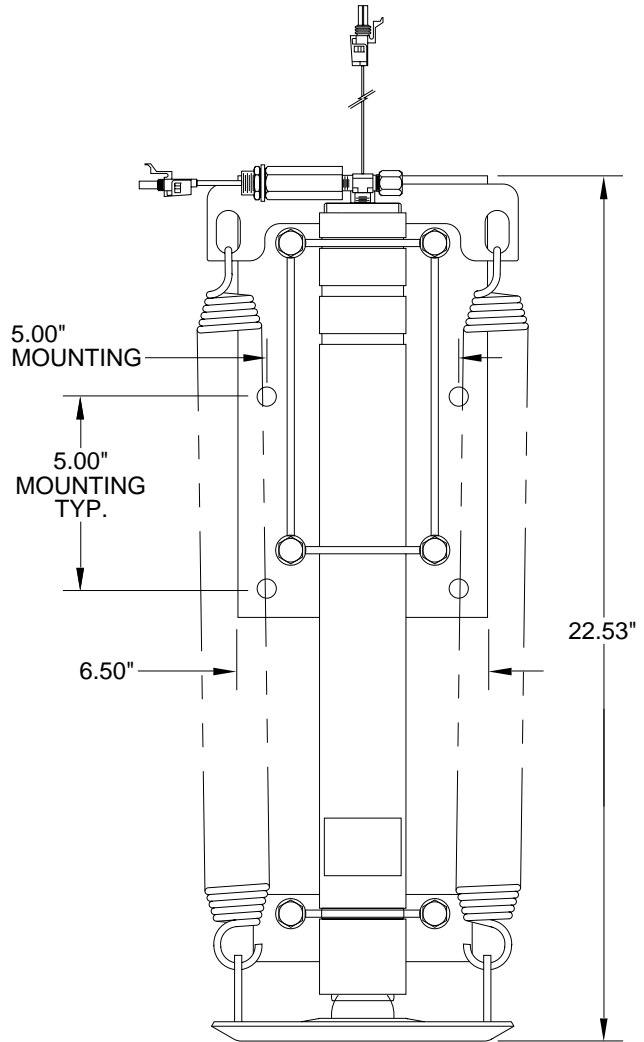
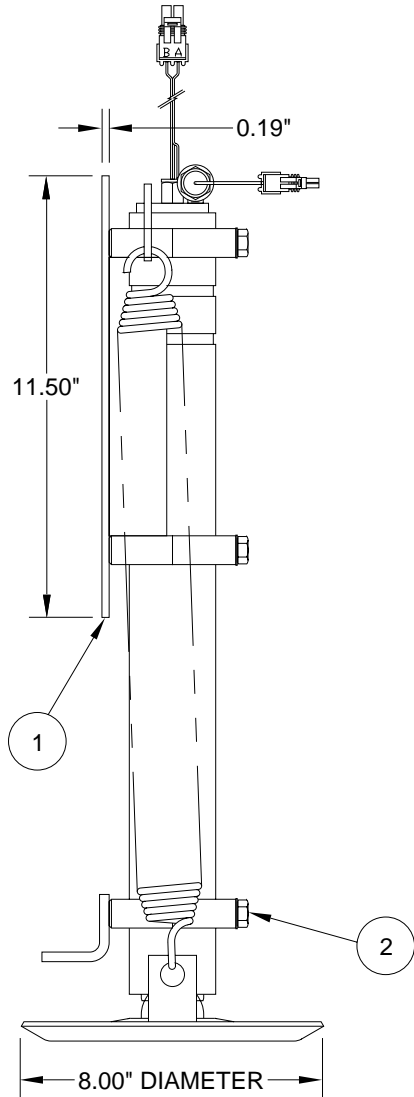
NOTE: INDENTED ITEMS ARE INCLUDED WITH PRECEDING ITEM.

**MR25.2830
17SEP20**

AP51342 - RAP51342

STRAIGHT-ACTING JACK, FIXED

6,000 # CAPACITY; 1.625" ROD DIAMETER; 16.00" STROKE; BOLT-ON FOOT WITH MAGNETIC WARNING SWITCH AND PRESSURE SWITCH



ITEM	PART	QTY	DESCRIPTION
			FOR CYLINDER, SPRING, SWITCH, AND FOOT INFORMATION SEE AP51342
	RAP51342		JACK 6,000 # X 16" FIXED (REPLACES AP51342)
1	RAP50698	1	MOUNTING BRACKET ASSEMBLY. INCLUDES OUTER CLAMPS AND HARDWARE. DOES NOT INCLUDE ITEM #2. (REPLACES RAP93610)

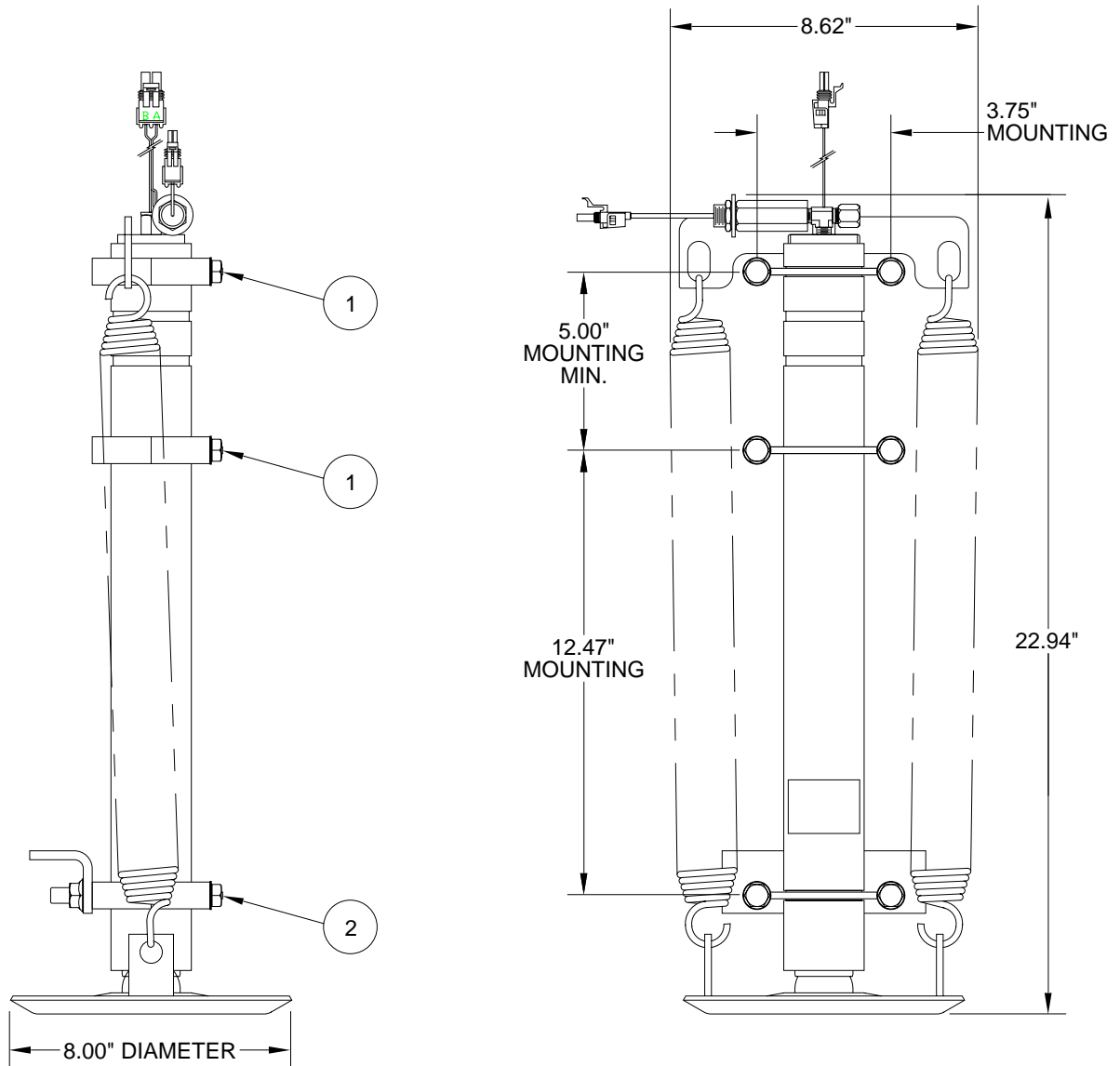
ITEM	PART	QTY	DESCRIPTION
2	RAP93110	1	CROSSTIE CLAMP KIT INCLUDES INNER CLAMP, OUTER CLAMP, ANGLE BRACKET AND HARDWARE.

NOTE: ITEM 1 MAY BE MOUNTED IN THE LOWER POSITION.

NOTE: INDENTED ITEMS ARE INCLUDED WITH PRECEDING ITEM.

MR25.2830A
17SEP20

AP51776 - RAP51776
STRAIGHT-ACTING JACK, FIXED
6,000 # CAPACITY; 1.625" ROD DIAMETER; 16.00" STROKE; BOLT-ON FOOT
WITH MAGNETIC WARNING SWITCH AND PRESSURE SWITCH



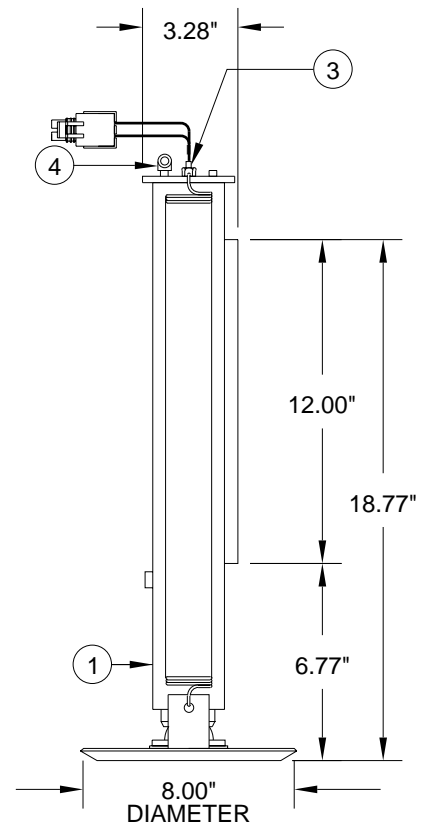
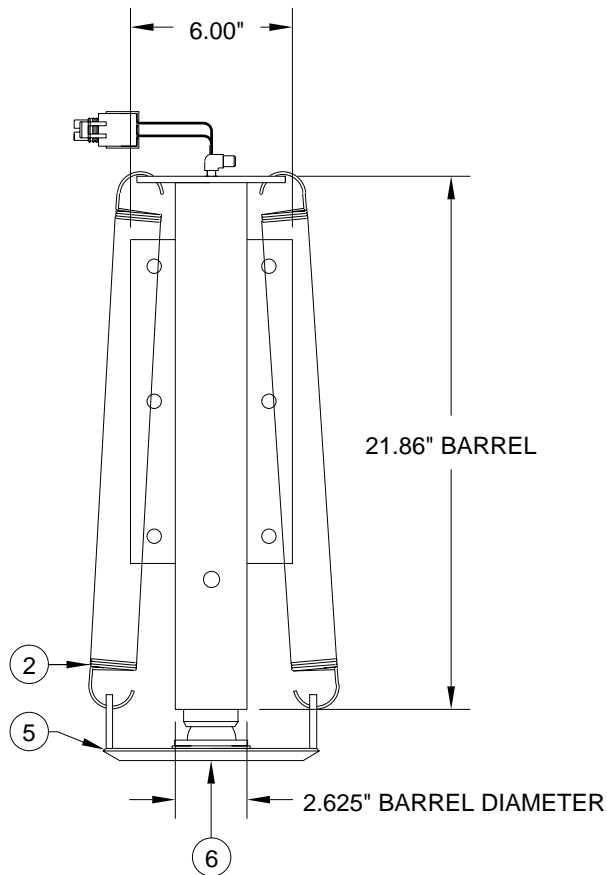
ITEM	PART	QTY	DESCRIPTION
			FOR CYLINDER, SPRING, SWITCH, AND FOOT INFORMATION SEE AP51341
	RAP51776		JACK 6,000 # X 16" FIXED (REPLACES AP51776)
1	RAP93109	1	CLAMP KIT WELD ON INCLUDES HARDWARE, DOES NOT INCLUDE ITEM #2.

ITEM	PART	QTY	DESCRIPTION
2	RAP93110	1	CROSSTIE CLAMP KIT INCLUDES HARDWARE, AND CROSSTIE MOUNTING ANGLE

NOTE: INDENTED ITEMS ARE INCLUDED WITH PRECEDING ITEM.

MR25.2830B
17SEP20

AP9550 - RAP9550
STRAIGHT-ACTING JACK, FIXED
9,000 # CAPACITY; 2.000" ROD DIAMETER; 16.00" STROKE; BOLT-ON FOOT



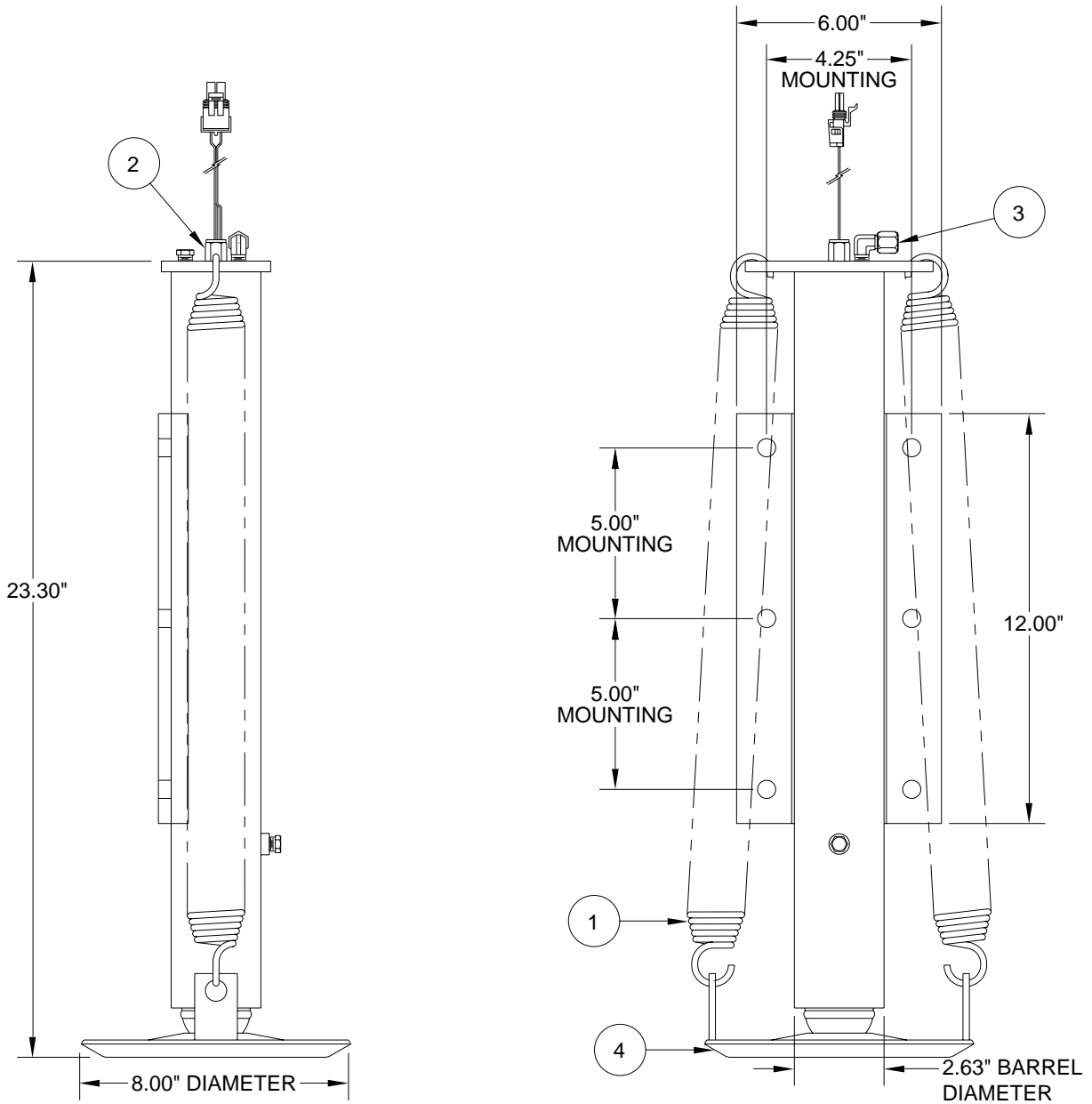
ITEM	PART	QTY	DESCRIPTION
	RAP9550		JACK 9,000 # X 16" FIXED (REPLACES AP9550)
1	RAP45713		CYL. ASSY. 9000 x 16" (INCLUDES TEE ONLY) (REPLACES RAP92799)
2	R3848	1	SPRING KIT 1-11/16" X 18"
		2	SPRING 1-11/16" X 18"

ITEM	PART	QTY	DESCRIPTION
3	RAP1008	1	SWITCH WARNING 2-WIRE OBS. - REPLACE WITH RAP26641 SWITCH AND RAP37981 ADAPTER
4	RF1453	1	ELBOW 1/8" X 1/4"
5	RAP39906	1	8.00" DIAMETER FOOT (INCLUDES ITEM 6) (REPLACES RAP92406)
6	RAP93767	1	SPHERE & STUD KIT FOR FOOT

NOTE: INDENTED ITEMS ARE INCLUDED WITH PRECEDING ITEM.

MR25.3100
04SEP20

AP39148 - RAP39148
STRAIGHT - ACTING JACK, FIXED
9,000 # CAPACITY; 2.000" ROD DIAMETER; 16.00" STROKE
USED ON FIFTH WHEEL COACHES



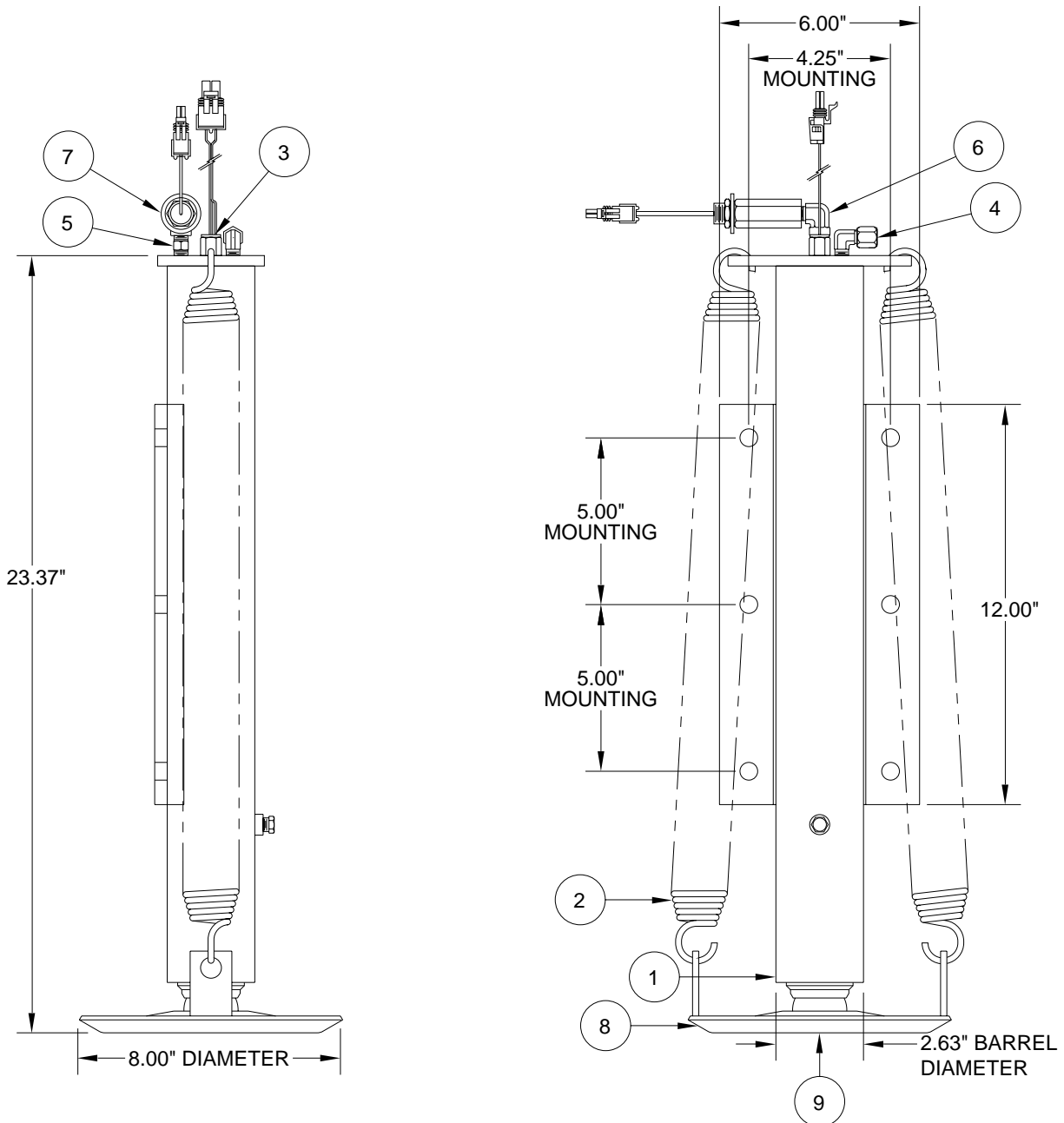
ITEM	PART	QTY	DESCRIPTION
	RAP39148		JACK 9,000 # X 16" FIXED (REPLACES AP39148 / RAP92445)
1	R3848	1	SPRING KIT 1-11/16" X 18"
		2	SPRING 1-11/16" X 18"

ITEM	PART	QTY	DESCRIPTION
2	RAP26641	1	SWITCH WARNING MAGNETIC GRAY
3	RF1453	1	ELBOW 1/8" X 1/4"
4	RAP8464	1	8.00" DIAMETER FOOT

NOTE: INDENTED ITEMS ARE INCLUDED WITH PRECEDING ITEM.

MR25.3105
04SEP20

AP39149 - RAP39149
STRAIGHT - ACTING JACK, FIXED
9,000 # CAPACITY; 2.000" ROD DIAMETER; 16.00" STROKE; BOLT-ON FOOT
USED ON FIFTH WHEEL COACHES



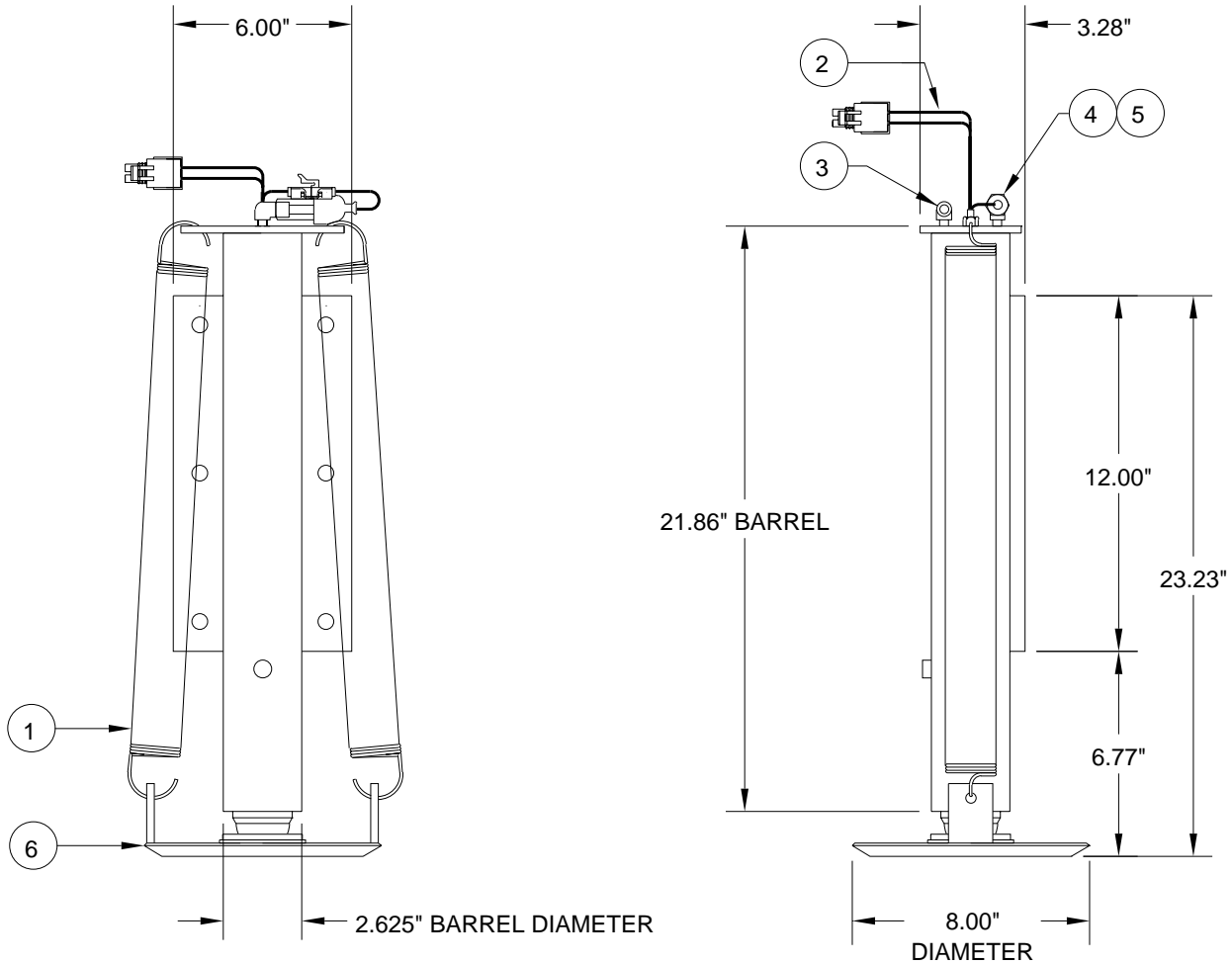
ITEM	PART	QTY	DESCRIPTION
	RAP39149		JACK 9,000 # X 16" FIXED (REPLACES AP39149 / RX93373)
1	RAP45713	1	CYL. ASSY. 2.000" x 16" (INCLUDES TEE ONLY) (REPLACES RAP92799)
2	R3848	1	SPRING KIT 1-11/16" X 18"
		2	SPRING 1-11/16" X 18"
3	RAP26641	1	SWITCH WARNING MAGNETIC GRAY

ITEM	PART	QTY	DESCRIPTION
4	RF1453	1	ELBOW 1/8" X 1/4"
5	RF9315	1	NIPPLE 1/8"
6	RF11576	1	STREET ELBOW 1/8"
7	RAP8003	1	SWITCH PRESSURE
8	RAP39906	1	8.00" DIAMETER FOOT (INCLUDES ITEM 9) (REPLACES RAP92406)
9	RAP93767	1	SPHERE & STUD KIT FOR FOOT

NOTE: INDENTED ITEMS ARE INCLUDED WITH PRECEDING ITEM.

MR25.3107
16SEP20

AP9587 - RAP9587
STRAIGHT-ACTING JACK, FIXED
9,000 # CAPACITY; 2.000" ROD DIAMETER; 16.00" STROKE
WITH PRESSURE SWITCH



ITEM	PART	QTY	DESCRIPTION
	RAP9587		JACK 9,000 # X 16" FIXED (REPLACES AP9587)
1	R3848	1	SPRING KIT 1-11/16" X 18"
		2	SPRING 1-11/16" X 18"
2	RAP90073	1	SWITCH WARNING 3-WIRE OBS. - REPLACE WITH RAP26641 SWITCH, RAP9072 INTERFACE, RAP61652 ADAPTER AND RAP37832 ADAPTER

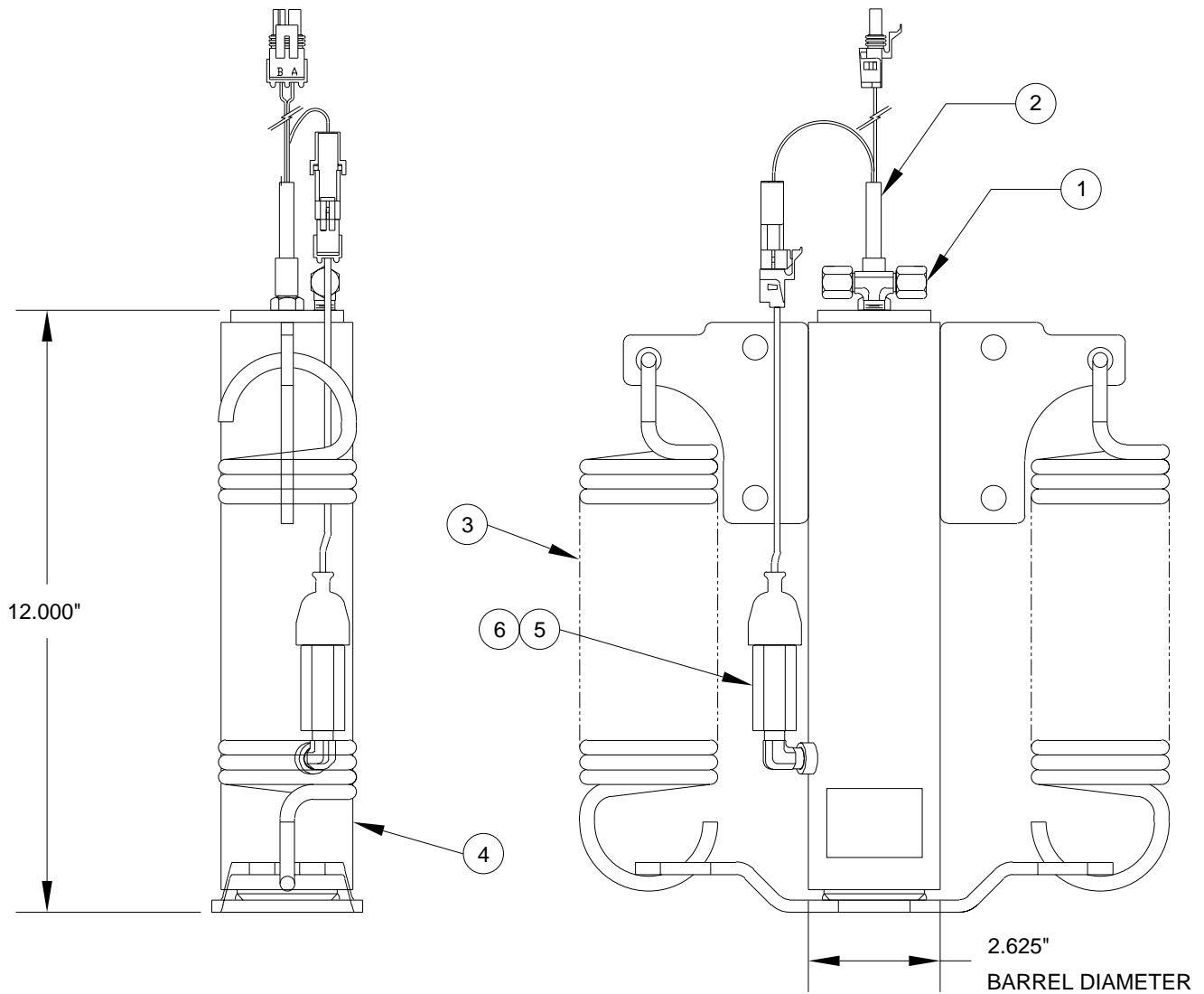
ITEM	PART	QTY	DESCRIPTION
3	RF1453	1	ELBOW 1/8" X 1/4"
4	RF8143	1	ELBOW 1/8" X 1/4"
5	RAP8003	1	SWITCH PRESSURE
6	RAP8464	1	8.00" DIAMETER FOOT

NOTE: INDENTED ITEMS ARE INCLUDED WITH PRECEDING ITEM.

MR25.3110
04SEP20

AP20875 - RAP20875

**STRAIGHT-ACTING JACK, FIXED, F/A SPRINGS
9,000 # CAPACITY; 2.000" ROD DIAMETER; 8.00" STROKE
WITH PRESSURE SWITCH AND 3-WIRE WARNING SWITCH**



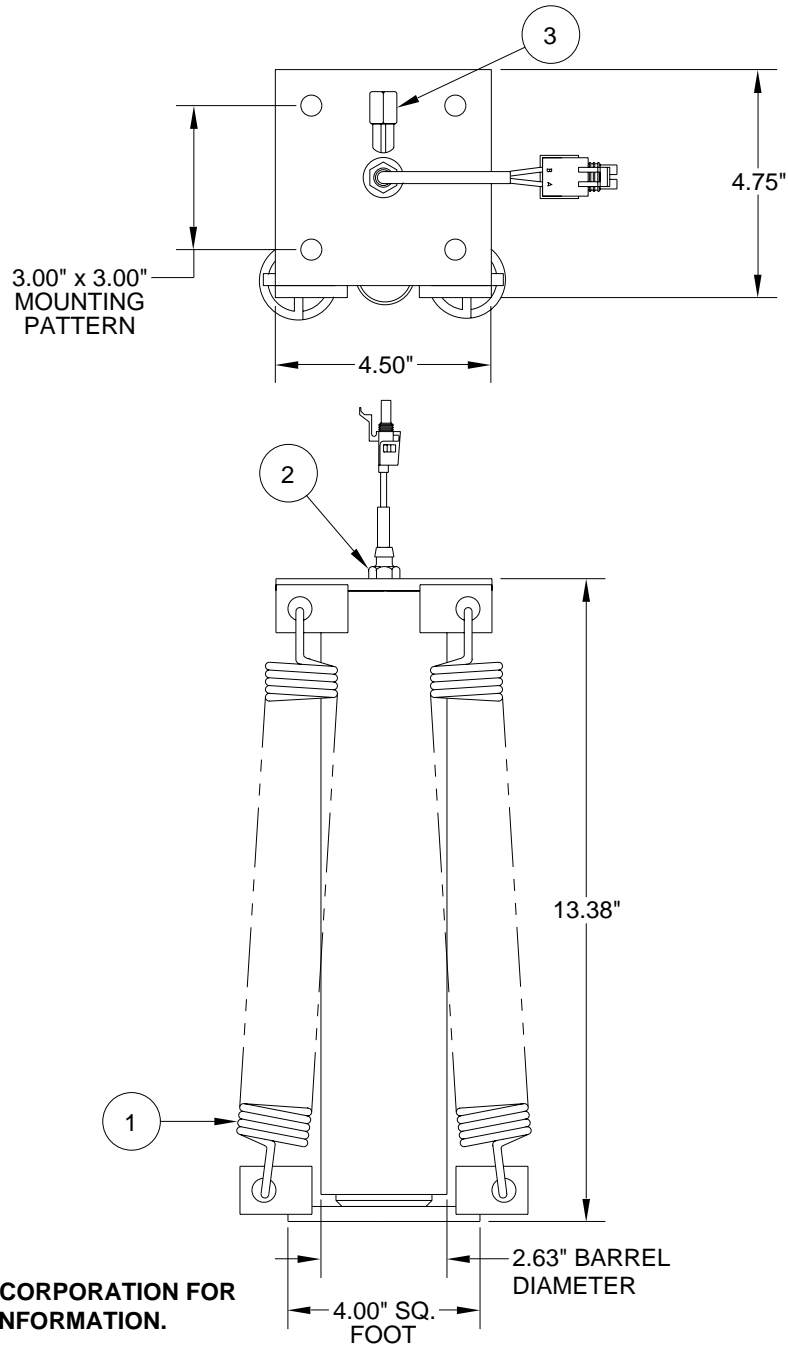
ITEM	PART	QTY	DESCRIPTION
	RAP20875		JACK 9,000 # X 8" F/A (REPLACES AP20875 / RAP90996)
1	RF90151	1	MALE BRANCH TEE 1/8" X 1/4" X 1/4"
2	RAP90073	1	SWITCH WARNING 3-WIRE OBS. - REPLACE WITH RAP26641 SWITCH, RAP9072 INTERFACE, RAP61652 ADAPTER AND RAP37832 ADAPTER

ITEM	PART	QTY	DESCRIPTION
3	R20897	1 2	SPRING KIT SPRING 2.75 X 9.75
4	RAP20876	1	CYL. ASSY. 2.00" X 8.00" (INCLUDES ITEM 1) (REPLACES RAP90994)
5	RF8143	1	ELBOW 1/8" X 1/8"
6	RAP8003	1	SWITCH PRESSURE

NOTE : INDENTED ITEMS ARE INCLUDED WITH PRECEDING ITEM.

MR25.3111
04SEP20

AP12276
STRAIGHT-ACTING JACK, FIXED
9,000 # CAPACITY; 2.000" ROD DIAMETER; 8.00" STROKE
USED ON PREVOST BUS CONVERSIONS

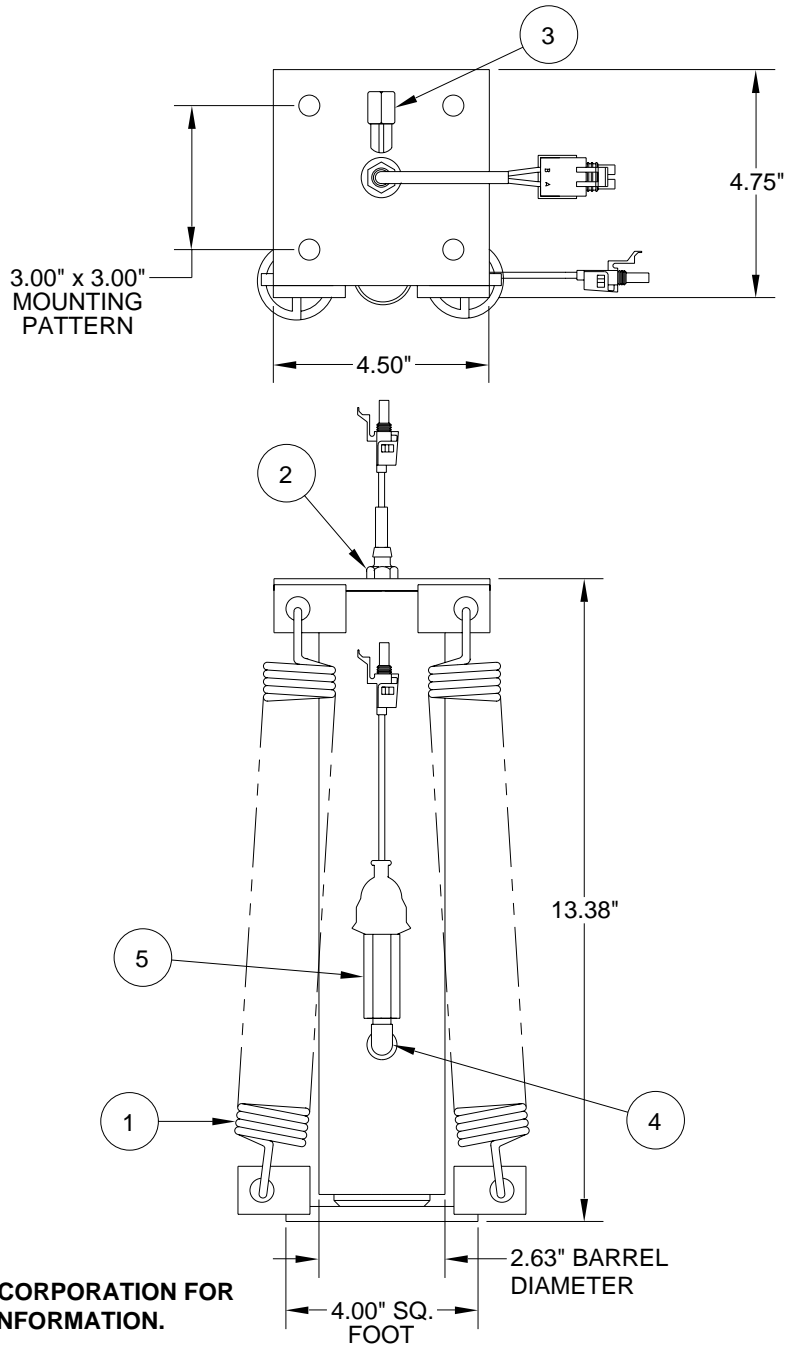


ITEM	PART	QTY	DESCRIPTION	ITEM	PART	QTY	DESCRIPTION
1	R6824	1	SPRING KIT 1.50" X 10"	3	RF1453	1	ELBOW 1/8" X 1/4"
		2	SPRING 1.50" X 10"				
2	RAP1008	1	SWITCH WARNING MAGNETIC				

NOTE: INDENTED ITEMS ARE INCLUDED WITH PRECEDING ITEM.

MR25.3112
15APR20

AP12275
STRAIGHT-ACTING JACK, FIXED
9,000 # CAPACITY; 2.000" ROD DIAMETER; 8.00" STROKE
USED ON PREVOST BUS CONVERSIONS



NOTE: CONTACT HWH CORPORATION FOR JACK REPLACEMENT INFORMATION.

ITEM	PART	QTY	DESCRIPTION	ITEM	PART	QTY	DESCRIPTION
1	R6824	1	SPRING KIT 1.50" X 10"	4	RF8143	1	ELBOW 1/8" X 1/8"
		2	SPRING 1.50" X 10"	5	RAP8003	1	SWITCH PRESSURE
2	RAP1008	1	SWITCH WARNING MAGNETIC				
3	RF1453	1	ELBOW 1/8" X 1/4"				

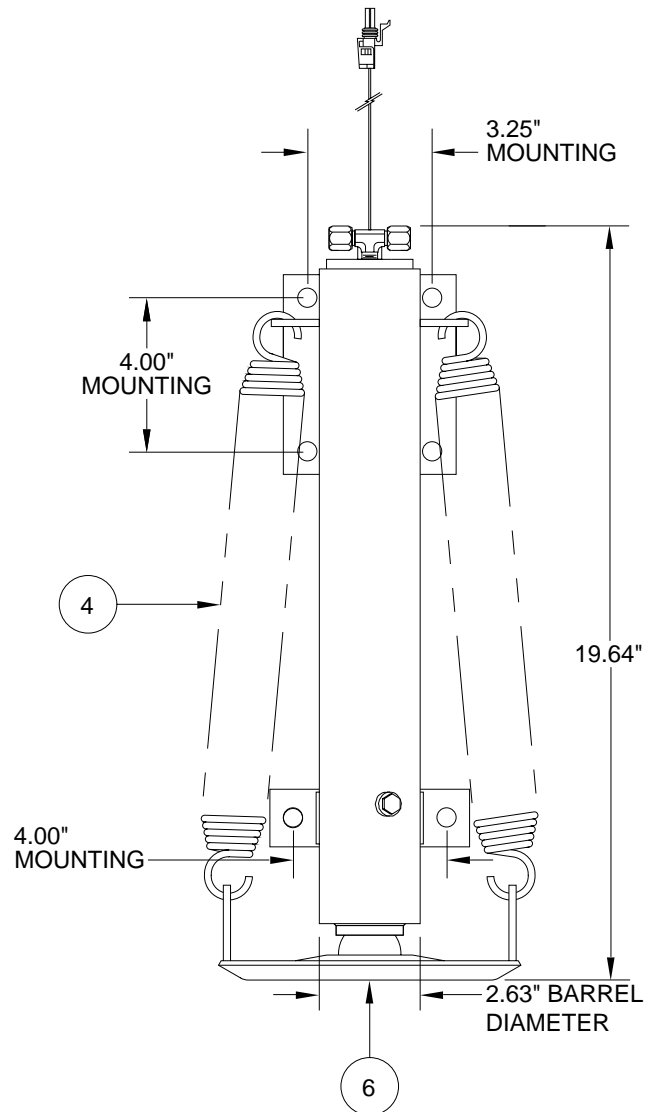
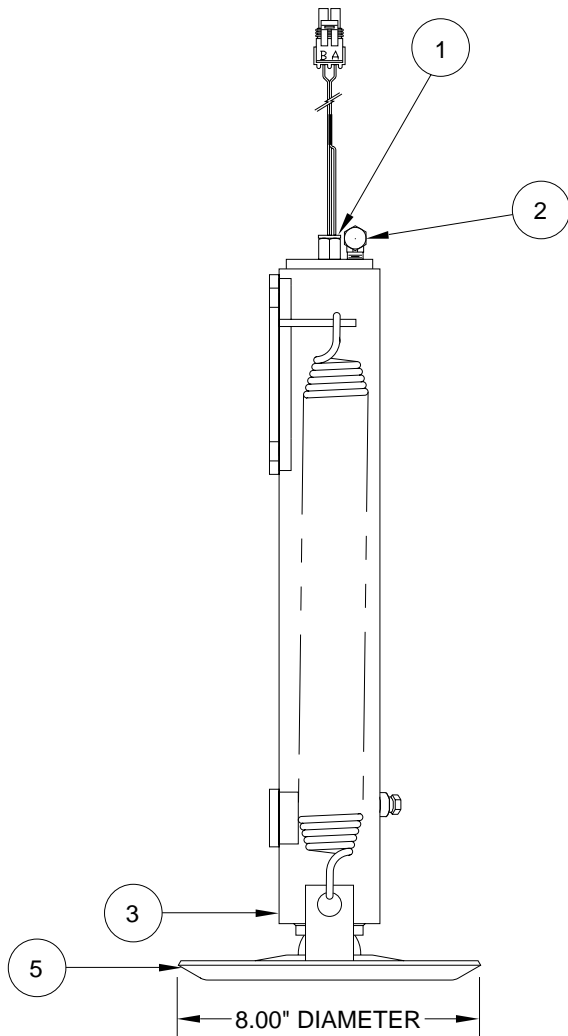
NOTE: INDENTED ITEMS ARE INCLUDED WITH PRECEDING ITEM.

MR25.3112A
15APR20

AP45588 - RAP45588

STRAIGHT-ACTING JACK, FIXED

9,000 # CAPACITY; 2.000" ROD DIAMETER; 13.00" STROKE; BOLT-ON FOOT WITH MAGNETIC WARNING SWITCH



ITEM	PART	QTY	DESCRIPTION
	RAP45588		JACK 9,000 # X 13" F/A (REPLACES AP45588)
1	RAP26641	1	SWITCH WARNING MAGNETIC GRAY
2	RF6966	1	MALE TEE 1/8" X 1/4" X 1/4"
3	RAP44432	1	CYL. ASSY. 2.000" x 13" (INCLUDES ITEM 2 ONLY) (REPLACES RAP92528)

ITEM	PART	QTY	DESCRIPTION
4	R3847	1 2	SPRING KIT 1-11/16" X 14" SPRING 1-11/16" X 14"
5	RAP39906	1	FOOT 8.00" DIAMETER (INCLUDES ITEM 6) (REPLACES RAP92406)
6	RAP93767	1	SPHERE & STUD KIT FOR FOOT

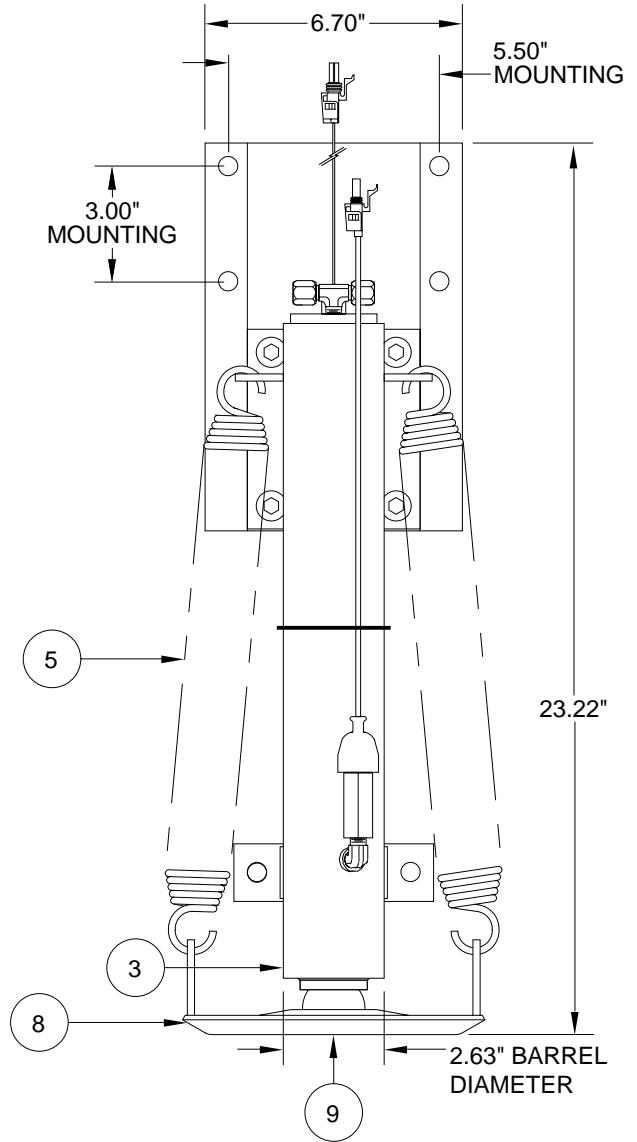
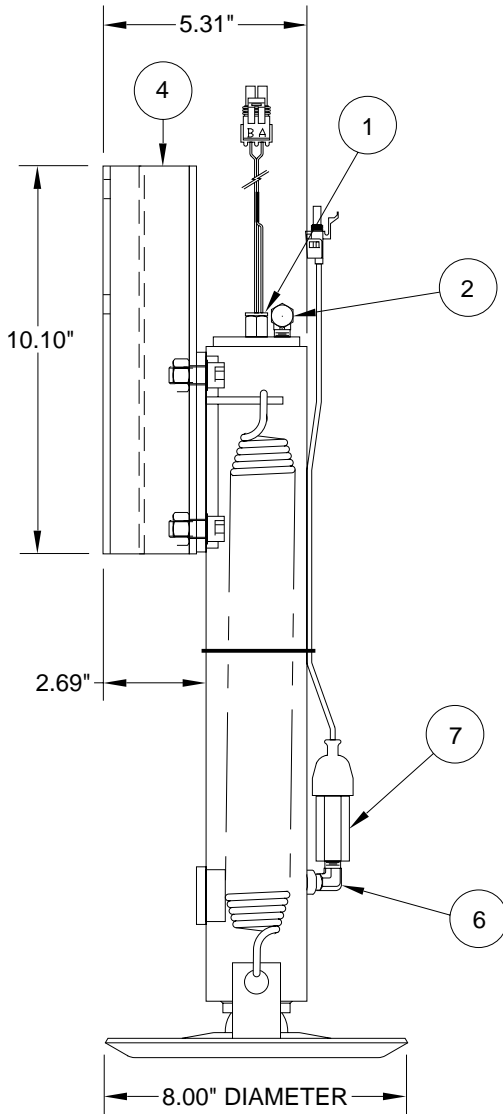
NOTE: INDENTED ITEMS ARE INCLUDED WITH PRECEDING ITEM.

MR25.3115
24SEP20

AP44447 - RAP44447

STRAIGHT-ACTING JACK, FIXED

9,000 # CAPACITY; 2.000" ROD DIAMETER; 13.00" STROKE; BOLT-ON FOOT WITH MAGNETIC WARNING SWITCH AND PRESSURE SWITCH



ITEM	PART	QTY	DESCRIPTION
	RAP44447		JACK 9,000 # X 13" F/A (REPLACES AP44447 / RX92677)
1	RAP26641	1	SWITCH WARNING MAGNETIC GRAY
2	RF6966	1	MALE TEE 1/8" X 1/4" X 1/4"
3	RAP44432	1	CYL. ASSY. 2.000" x 13" (INCLUDES ITEM 2 ONLY) (REPLACES RAP92528)
4	RAP44635	1	MOUNTING BRACKET (INCLUDES HARDWARE) (REPLACES RAP92560)

ITEM	PART	QTY	DESCRIPTION
5	R3847	1	SPRING KIT 1-11/16" X 14"
		2	SPRING 1-11/16" X 14"
6	RF8143	1	ELBOW 1/8" X 1/8"
7	RAP8003	1	SWITCH PRESSURE
8	RAP39906	1	FOOT 8.00" DIAMETER (INCLUDES ITEM 9) (REPLACES RAP92406)
9	RAP93767	1	SPHERE & STUD KIT FOR FOOT

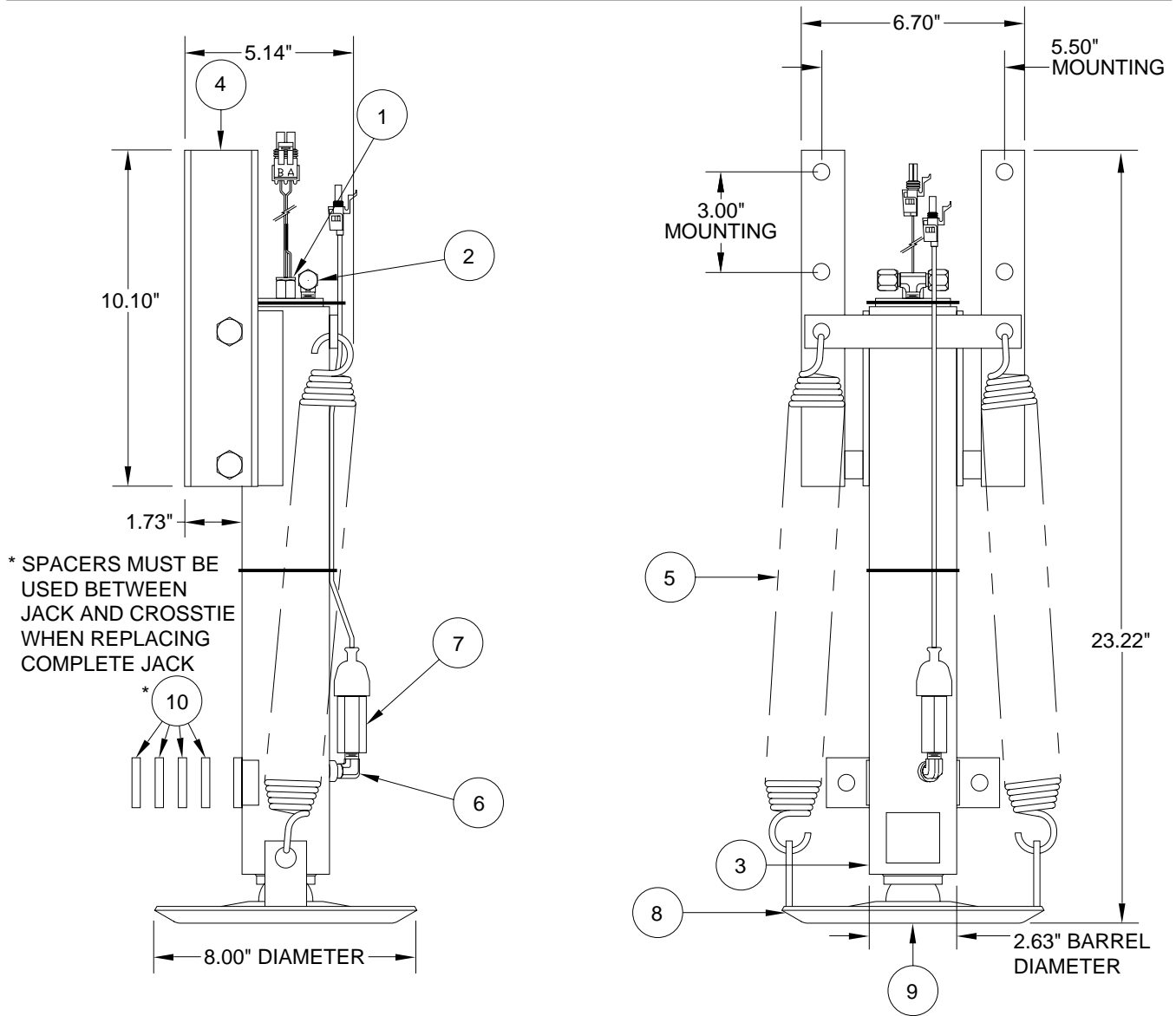
NOTE: INDENTED ITEMS ARE INCLUDED WITH PRECEDING ITEM.

**MR25.3200
24SEP20**

AP44323 - RAP44323

STRAIGHT ACTING JACK, FIXED - OBSOLETE

9,000 # CAPACITY; 2.000" ROD DIAMETER; 13.00" STROKE; BOLT-ON FOOT WITH MAGNETIC WARNING SWITCH AND PRESSURE SWITCH



ITEM	PART	QTY	DESCRIPTION
	RAP44323		JACK 9,000# x 13" F/A (REPLACES AP44323 CONTAINS RAP44447 JACK W/ CROSSTIE SPACERS AND HARDWARE)
1	RAP26641	1	SWITCH WARNING MAGNETIC GRAY
2	RF6966	1	MALE TEE 1/8" X 1/4" X 1/4"
3	N/A		CYL. ASSY. - OBSOLETE SEE RAP44323
4	N/A		MOUNTING BRACKET OBSOLETE - SEE RAP44323

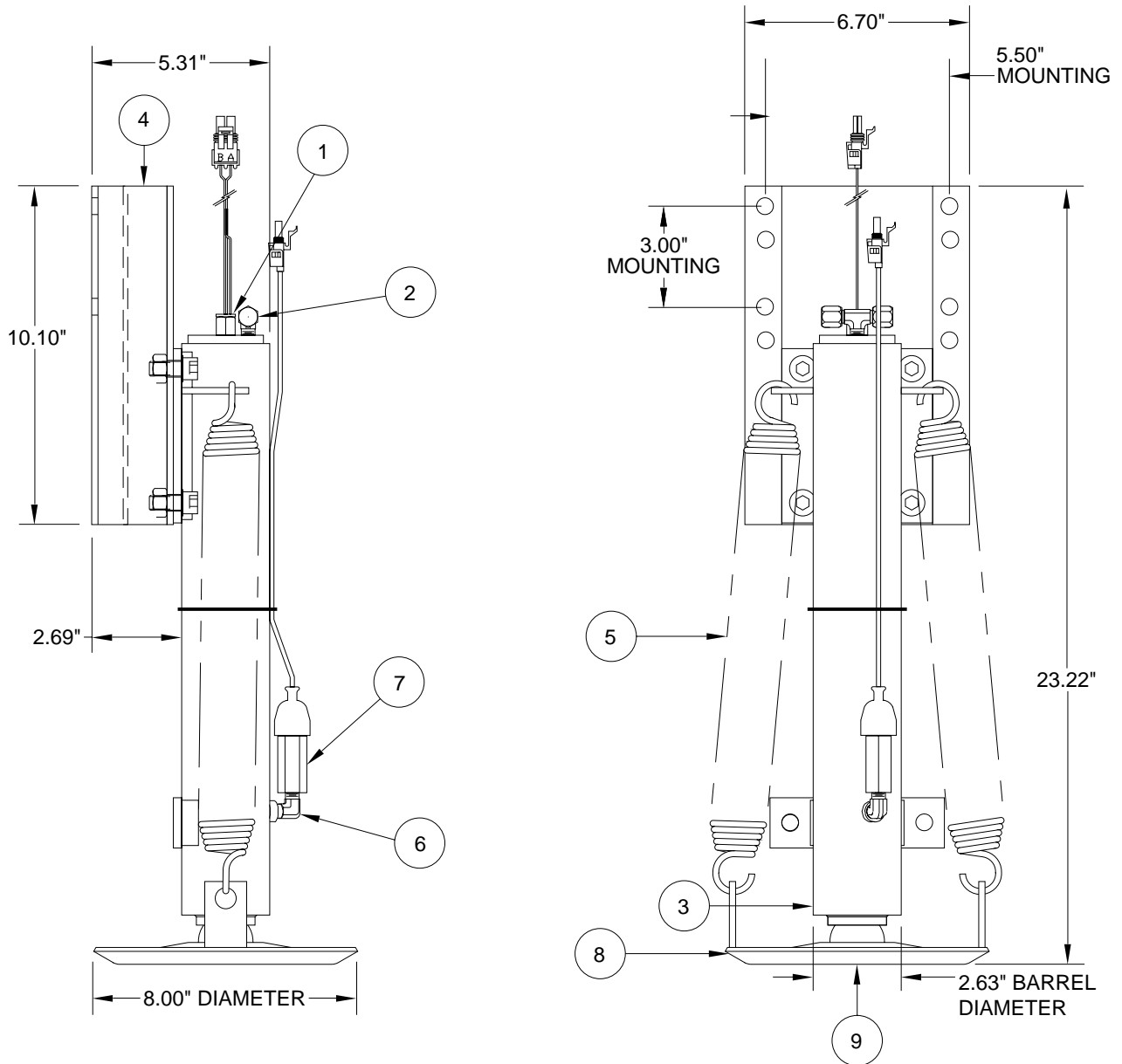
ITEM	PART	QTY	DESCRIPTION
5	R3847	1	SPRING KIT 1-11/16" X 14"
		2	SPRING 1-11/16" X 14"
6	RF8143	1	ELBOW 1/8" X 1/8"
7	RAP8003	1	SWITCH PRESSURE
8	RAP39906	1	FOOT 8.00" DIAMETER (INCLUDES ITEM 9) REPLACES RAP92406
9	RAP93767	1	SPHERE & STUD KIT FOR FOOT
10	RP44306		CROSSTIE SPACERS INCLUDED WITH RAP44323

NOTE: INDENTED ITEMS ARE INCLUDED WITH PRECEDING ITEM.

**MR25.3200A
24SEP20**

AP44661

STRAIGHT ACTING JACK, FIXED - OBSOLETE 9,000 # CAPACITY; 2.000" ROD DIAMETER; 13.00" STROKE; BOLT-ON FOOT WITH MAGNETIC WARNING SWITCH AND PRESSURE SWITCH



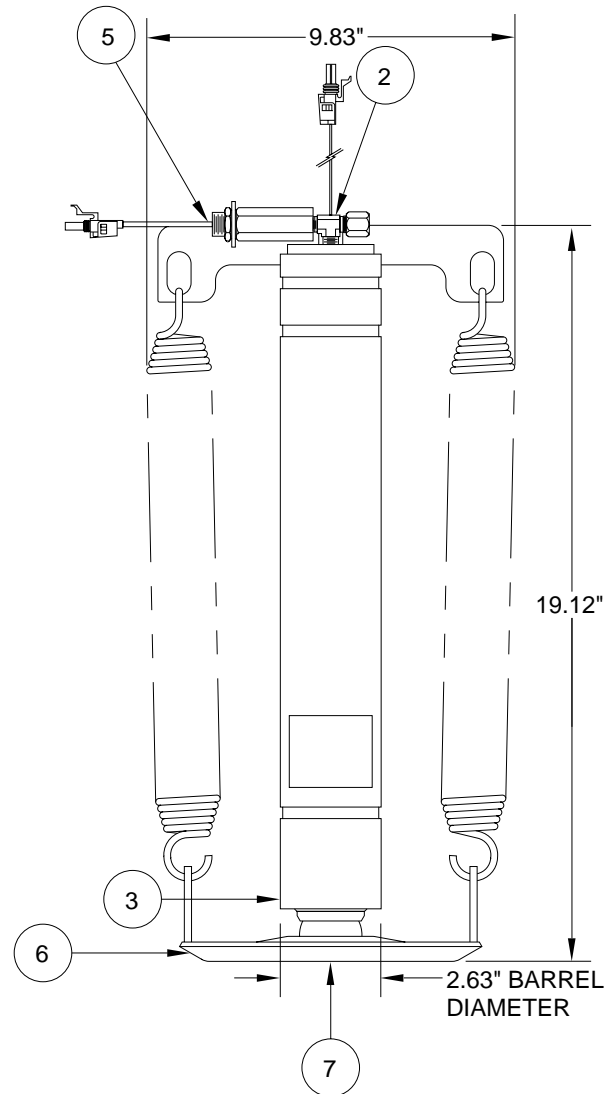
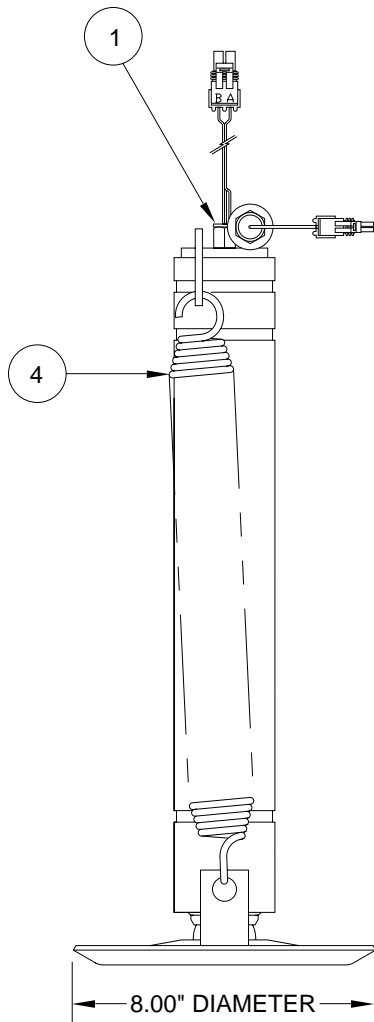
ITEM	PART	QTY	DESCRIPTION
	RAP44447		JACK 9,000# x 13" F/A (REPLACES OBS. AP44661)
1	RAP26641	1	SWITCH WARNING MAGNETIC GRAY
2	RF6966	1	MALE TEE 1/8" X 1/4" X 1/4"
3	RAP44432	1	CYL. ASSY. 2.000" x 13" (INCLUDES ITEM 2 ONLY) (REPLACES RAP92528)
4	RAP44635	1	MOUNTING BRACKET (INCLUDES HARDWARE) (REPLACES RAP92559)

ITEM	PART	QTY	DESCRIPTION
5	R3847	1	SPRING KIT 1-11/16" X 14"
		2	SPRING 1-11/16" X 14"
6	RF8143	1	ELBOW 1/8" X 1/8"
7	RAP8003	1	SWITCH PRESSURE
8	RAP39906	1	FOOT 8.00" DIAMETER (INCLUDES ITEM 9) (REPLACES RAP92406)
9	RAP93767	1	SPHERE & STUD KIT FOR FOOT

NOTE: INDENTED ITEMS ARE INCLUDED WITH PRECEDING ITEM.

MR25.3205
16SEP20

AP48140 - RAP48140
STRAIGHT-ACTING JACK, FIXED
9,000 # CAPACITY; 2.000" ROD DIAMETER; 13.00" STROKE; BOLT-ON FOOT



ITEM	PART	QTY	DESCRIPTION
	RAP48140		JACK 9,000 # X 13" FIXED (REPLACES AP48140 / RX93293)
1	RAP26641	1	SWITCH WARNING MAGNETIC GRAY
2	RF0734	1	MALE TEE SPECIAL
3	RAP45656	1	CYL. ASSY. 2.000" x 13" (INCLUDES ITEM 2 ONLY) (REPLACES RAP92729)

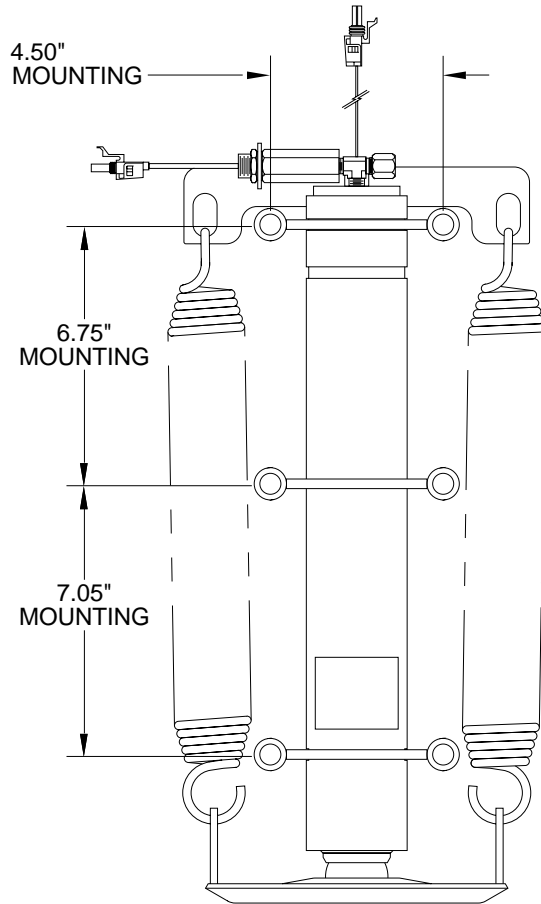
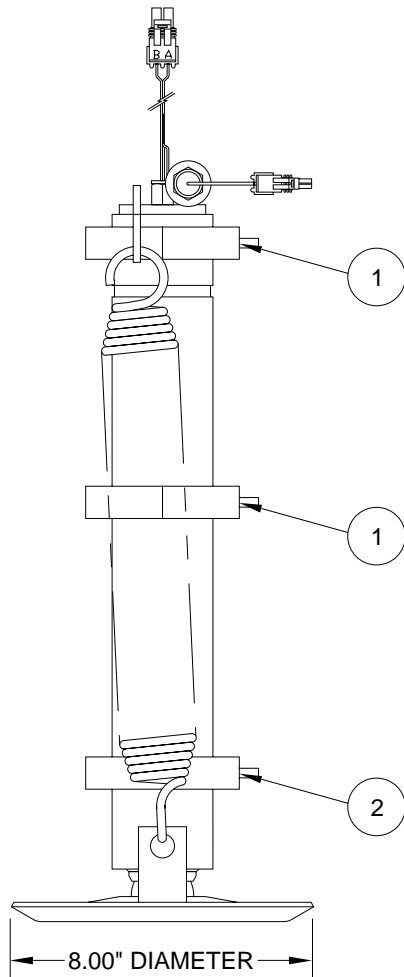
ITEM	PART	QTY	DESCRIPTION
4	R3847	1	SPRING KIT 1-11/16" X 14"
		2	SPRING 1-11/16" X 14"
5	RAP8003	1	SWITCH PRESSURE
6	RAP39906	1	FOOT 8.00" DIAMETER (INCLUDES ITEM 7) (REPLACES RAP92406)
7	RAP93767	1	SPHERE & STUD KIT FOR FOOT

NOTE: INDENTED ITEMS ARE INCLUDED WITH PRECEDING ITEM.

MR25.3213
16SEP20

AP45657

STRAIGHT-ACTING JACK, FIXED - OBSOLETE 9,000 # CAPACITY; 2.000" ROD DIAMETER; 13.00" STROKE; BOLT-ON FOOT WITH MAGNETIC WARNING SWITCH AND PRESSURE SWITCH



ITEM	PART	QTY	DESCRIPTION
			FOR CYLINDER, SPRING, SWITCH, AND FOOT INFORMATION SEE AP48140
	N/A		OBSOLETE JACK - SEE RAP51777 (REPLACES AP45657 / RX92727)
1	RAP93104	1	CLAMP KIT WELD ON INCLUDES HARDWARE, DOES NOT INCLUDE ITEM #2

ITEM	PART	QTY	DESCRIPTION
2	RAP93106	1	CROSSTIE CLAMP KIT INCLUDES HARDWARE, AND CROSSTIE MOUNTING ANGLE

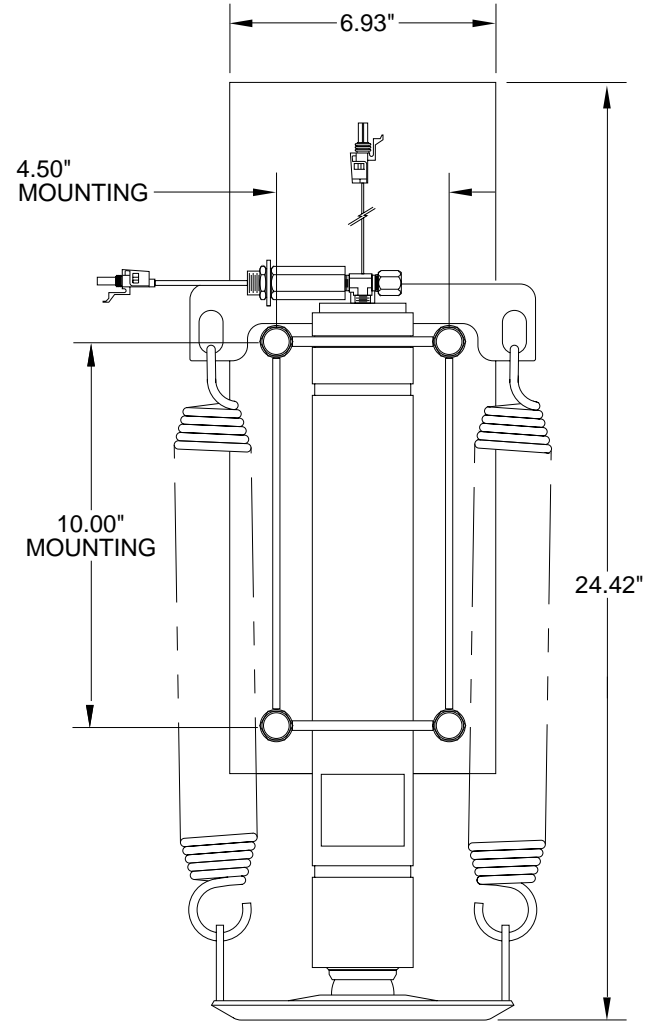
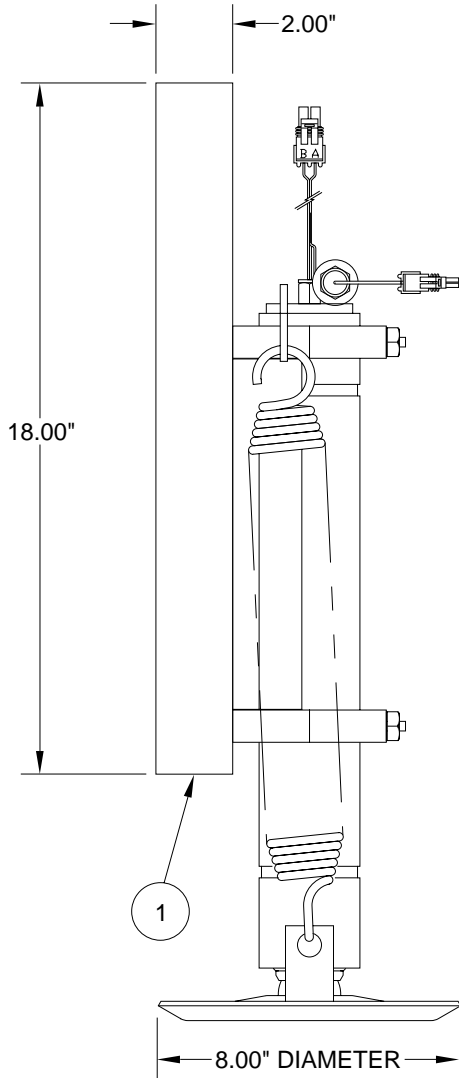
NOTE: INDENTED ITEMS ARE INCLUDED WITH PRECEDING ITEM.

MR25.3213A
24SEP20

AP47071 - RAP47071

STRAIGHT-ACTING JACK, FIXED

9,000 # CAPACITY; 2.00" ROD DIAMETER; 13.00" STROKE; BOLT-ON FOOT WITH MAGNETIC WARNING SWITCH AND PRESSURE SWITCH



ITEM	PART	QTY	DESCRIPTION
			FOR CYLINDER, SPRING, SWITCH, AND FOOT INFORMATION SEE AP48140
	RAP47071		JACK 9,000 # X 13" FIXED (REPLACES AP47071 / RX93383)

ITEM	PART	QTY	DESCRIPTION
1	RAP93043	1	MOUNTING BRACKET ASSEMBLY. INCLUDES CHANNEL, INNER CLAMP WELDMENT, AND OUTER CLAMPS WITH HARDWARE.

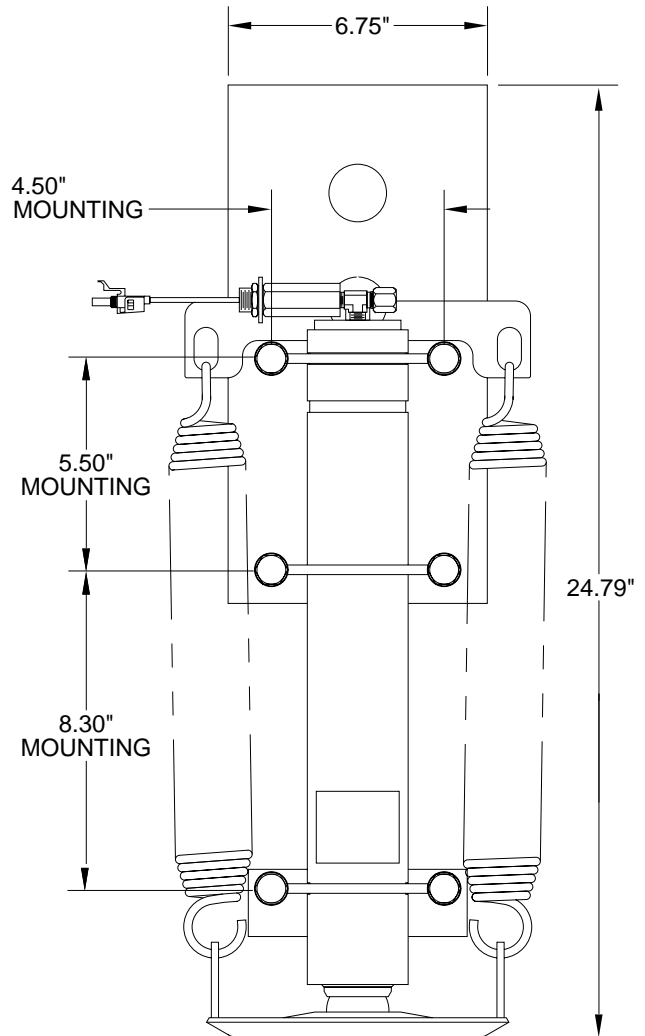
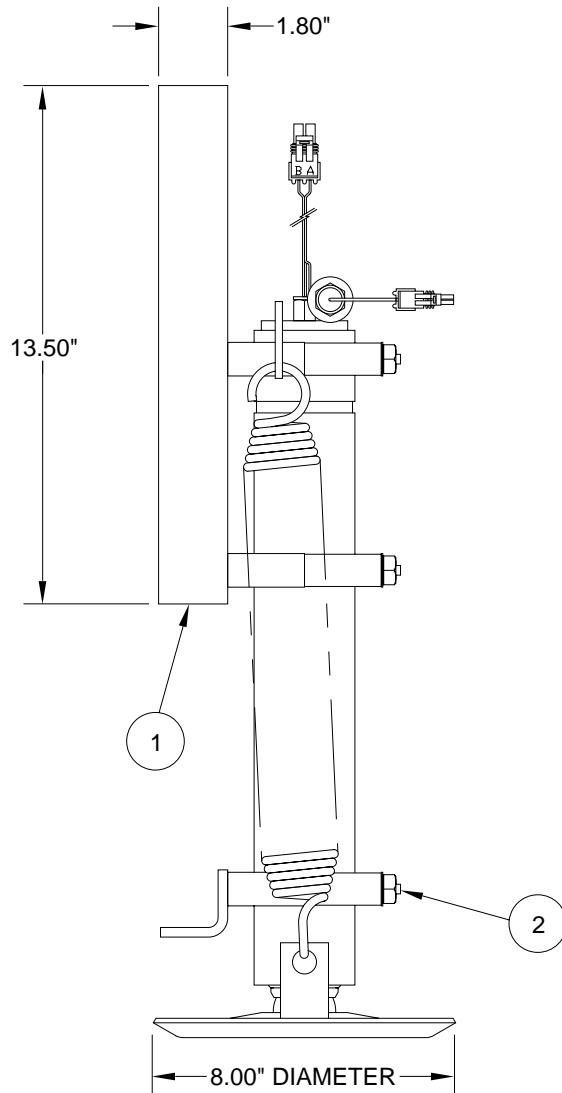
NOTE: INDENTED ITEMS ARE INCLUDED WITH PRECEDING ITEM.

MR25.3213B
16SEP20

AP48088 - RAP48088

STRAIGHT-ACTING JACK, FIXED

9,000 # CAPACITY; 2.000" ROD DIAMETER; 13.00" STROKE; BOLT-ON FOOT WITH MAGNETIC WARNING SWITCH AND PRESSURE SWITCH



ITEM	PART	QTY	DESCRIPTION
			FOR CYLINDER, SPRING, SWITCH, AND FOOT INFORMATION SEE AP48140
	RAP48088		JACK 9,000 # X 13" FIXED (REPLACES AP48088 / RX93376)
1	RAP93042	1	MOUNTING BRACKET ASSEMBLY. INCLUDES OUTER CLAMPS AND HARDWARE. DOES NOT INCLUDE ITEM #2.

ITEM	PART	QTY	DESCRIPTION
2	RAP93106	1	CROSSTIE CLAMP KIT INCLUDES INNER CLAMP, OUTER CLAMP, ANGLE BRACKET AND HARDWARE.

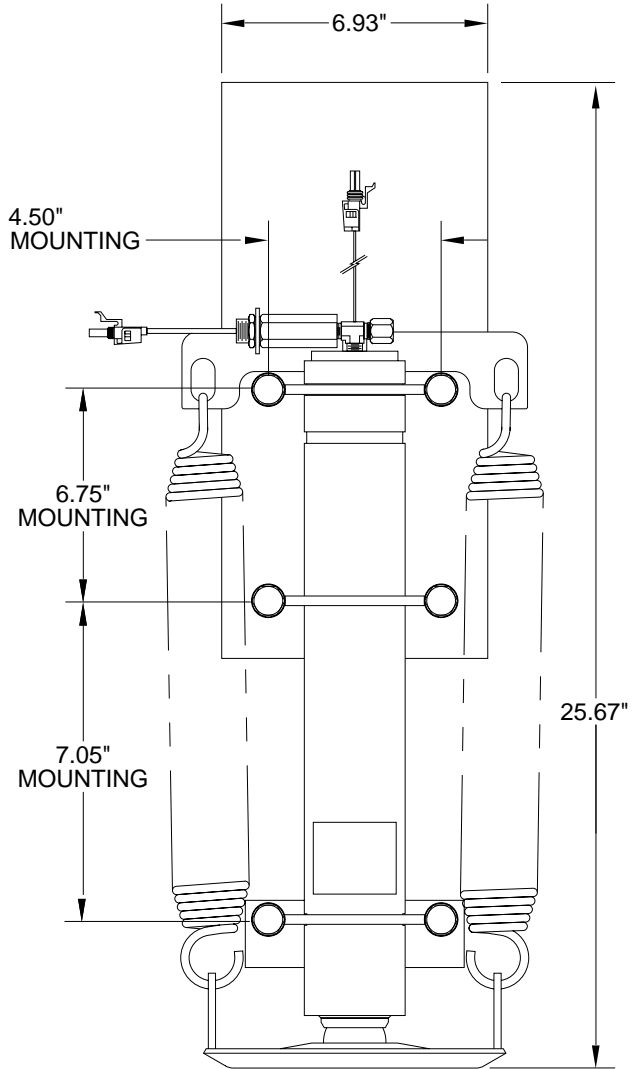
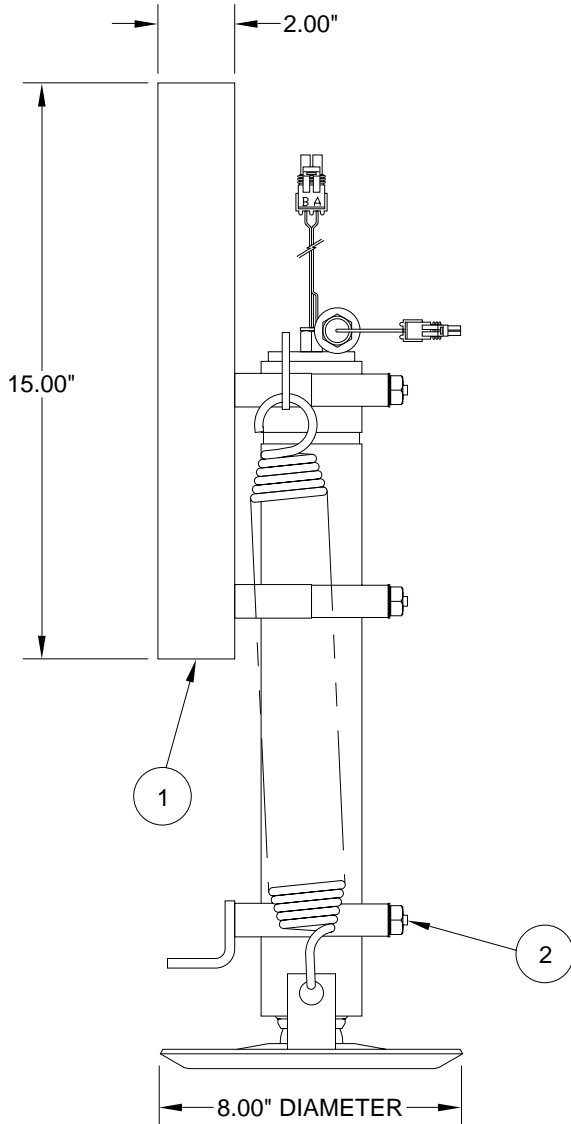
NOTE: INDENTED ITEMS ARE INCLUDED WITH PRECEDING ITEM.

**MR25.3213C
16SEP20**

AP49586 - RAP49586

STRAIGHT-ACTING JACK, FIXED

9,000 # CAPACITY; 2.00" ROD DIAMETER; 13.00" STROKE; BOLT-ON FOOT WITH MAGNETIC WARNING SWITCH AND PRESSURE SWITCH



ITEM	PART	QTY	DESCRIPTION
			FOOT INFORMATION SEE AP48140 FOR CYLINDER, SPRING, SWITCH, AND
	RAP49586		JACK 9,000 # X 13" F/A (REPLACES AP49586)
1	RAP93041	1	MOUNTING BRACKET ASSEMBLY. INCLUDES OUTER CLAMPS AND HARDWARE. DOES NOT INCLUDE ITEM #2.

ITEM	PART	QTY	DESCRIPTION
2	RAP93106	1	CROSSTIE CLAMP KIT INCLUDES INNER CLAMP, OUTER CLAMP, ANGLE BRACKET AND HARDWARE.

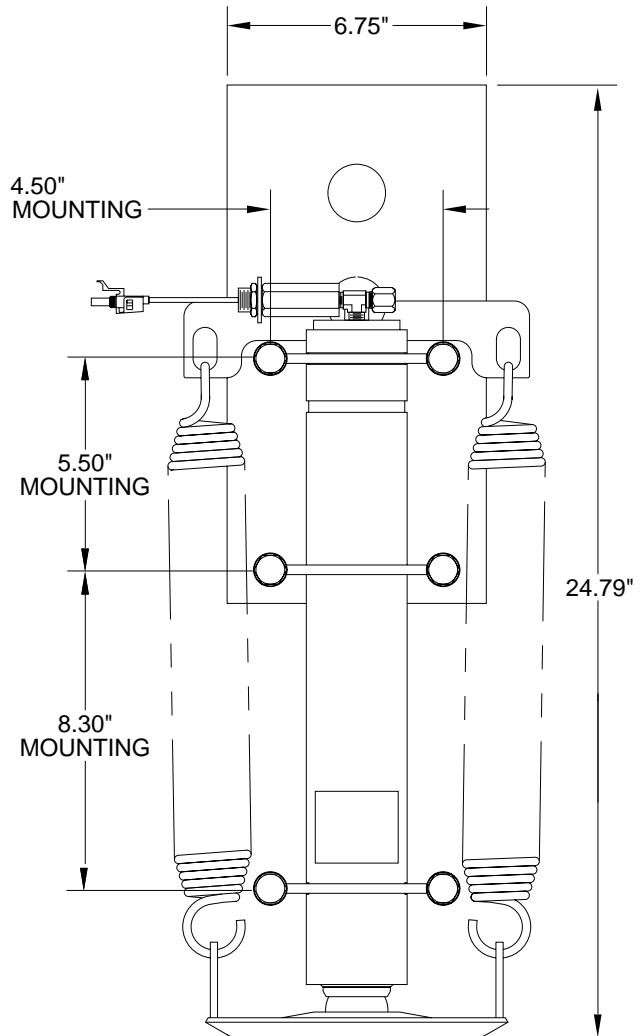
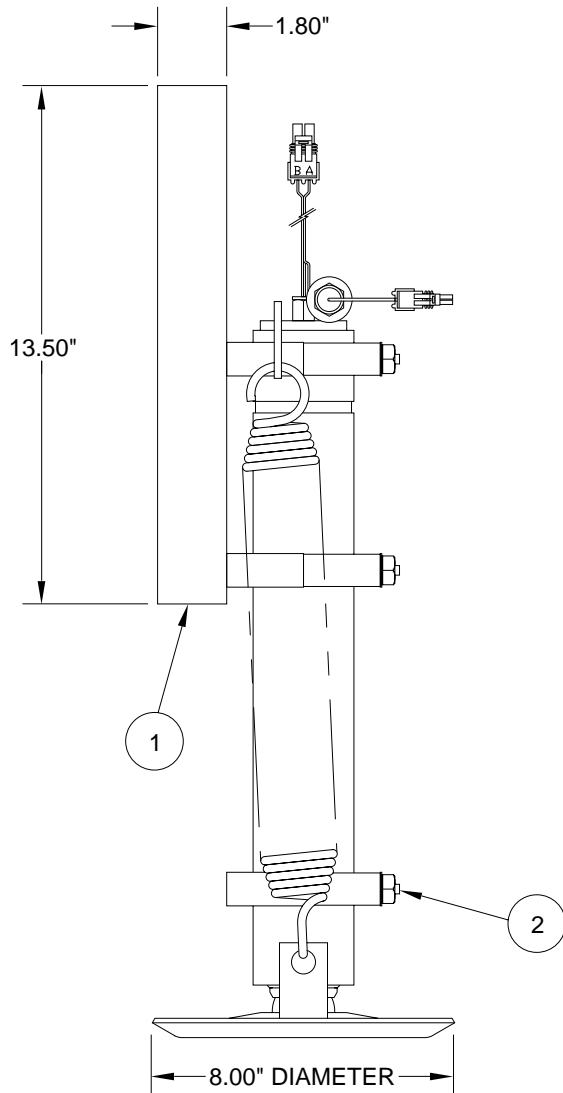
NOTE: INDENTED ITEMS ARE INCLUDED WITH PRECEDING ITEM.

MR25.3213D
24SEP20

AP50023 - RAP50023

STRAIGHT-ACTING JACK, FIXED

9,000 # CAPACITY; 2.000" ROD DIAMETER; 13.00" STROKE; BOLT-ON FOOT WITH MAGNETIC WARNING SWITCH AND PRESSURE SWITCH



ITEM	PART	QTY	DESCRIPTION
			FOR CYLINDER, SPRING, SWITCH, AND FOOT INFORMATION SEE AP48140
	RAP50023		JACK 9,000 # X 13" F/A (REPLACES AP50023)
1	RAP93042	1	MOUNTING BRACKET ASSEMBLY. INCLUDES OUTER CLAMPS AND HARDWARE. DOES NOT INCLUDE ITEM #2.

ITEM	PART	QTY	DESCRIPTION
2	RAP93106	1	CROSSTIE CLAMP KIT INCLUDES INNER CLAMP, OUTER CLAMP, AND HARDWARE.

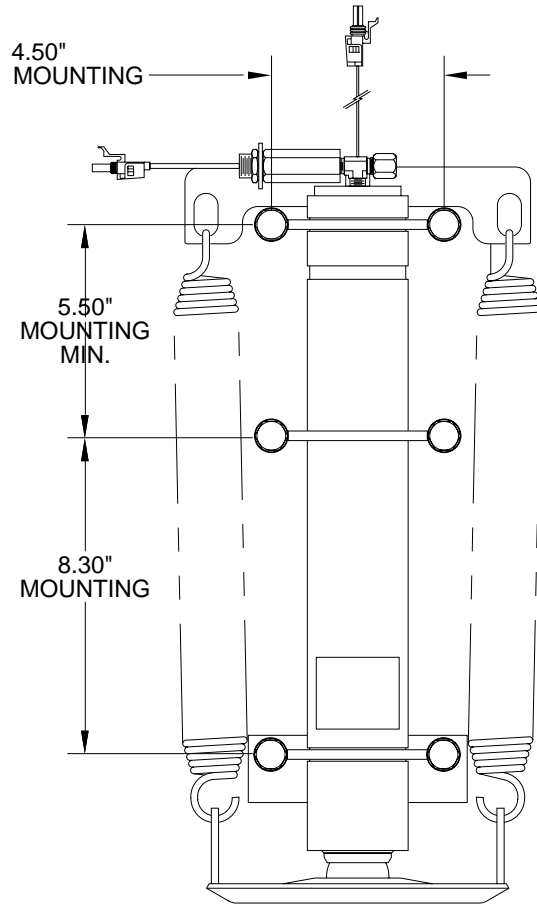
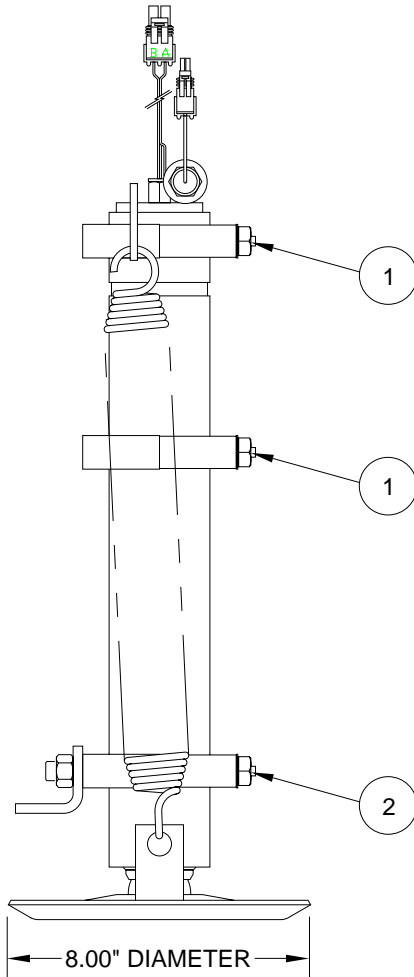
NOTE: INDENTED ITEMS ARE INCLUDED WITH PRECEDING ITEM.

MR25.3213E
24SEP20

AP51777 - RAP51777

STRAIGHT-ACTING JACK, FIXED

9,000 # CAPACITY; 2.000" ROD DIAMETER; 13.00" STROKE; BOLT-ON FOOT WITH MAGNETIC WARNING SWITCH AND PRESSURE SWITCH



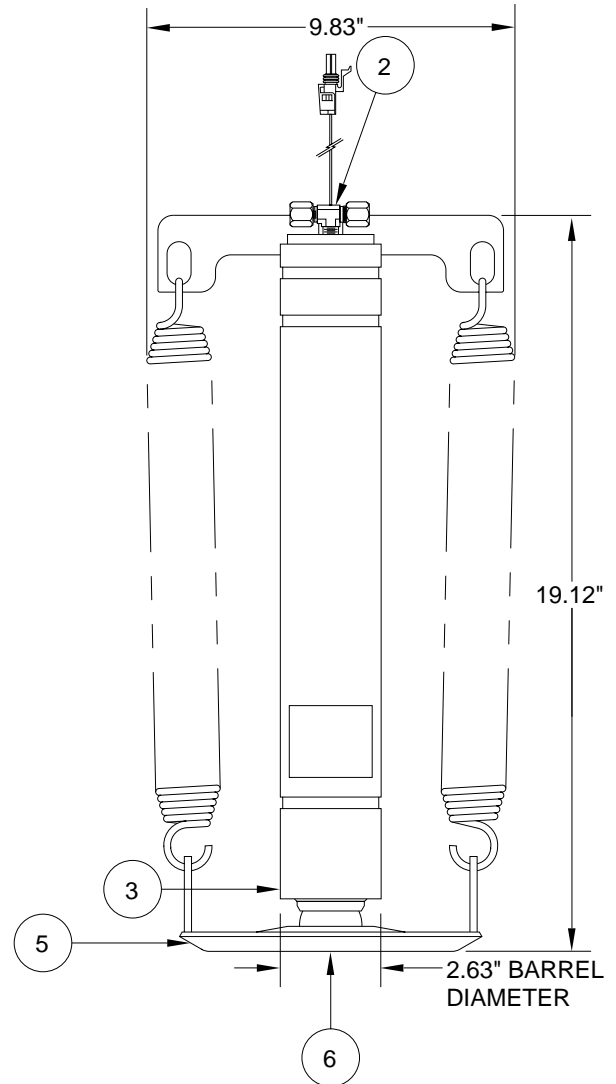
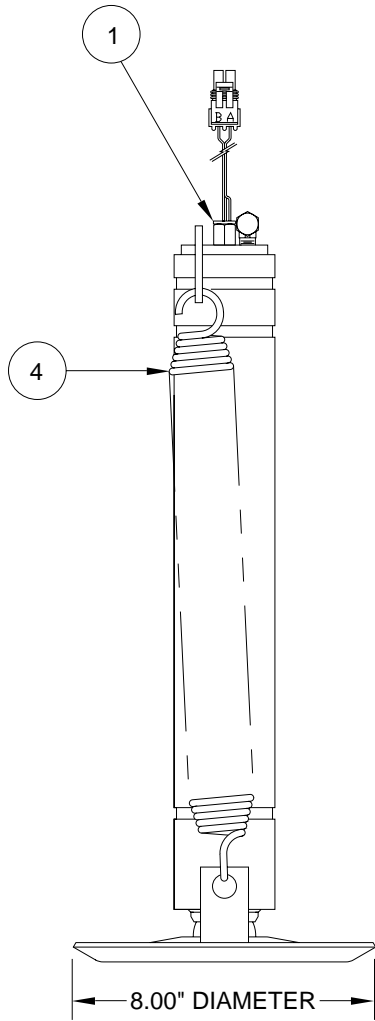
ITEM	PART	QTY	DESCRIPTION
			FOR CYLINDER, SPRING, SWITCH, AND FOOT INFORMATION SEE AP48140
	RAP51777		JACK 9,000 # X 13" F/A (REPLACES AP51777)
1	RAP93104	1	CLAMP KIT WELD ON INCLUDES HARDWARE, DOES NOT INCLUDE ITEM #2.

ITEM	PART	QTY	DESCRIPTION
2	RAP93106	1	CROSSTIE CLAMP KIT INCLUDES HARDWARE, AND CROSSTIE MOUNTING ANGLE

NOTE: INDENTED ITEMS ARE INCLUDED WITH PRECEDING ITEM.

MR25.3213F
24SEP20

AP46747 - RAP46747
STRAIGHT-ACTING JACK, FIXED
9,000 # CAPACITY; 2.000" ROD DIAMETER; 13.00" STROKE; BOLT-ON FOOT



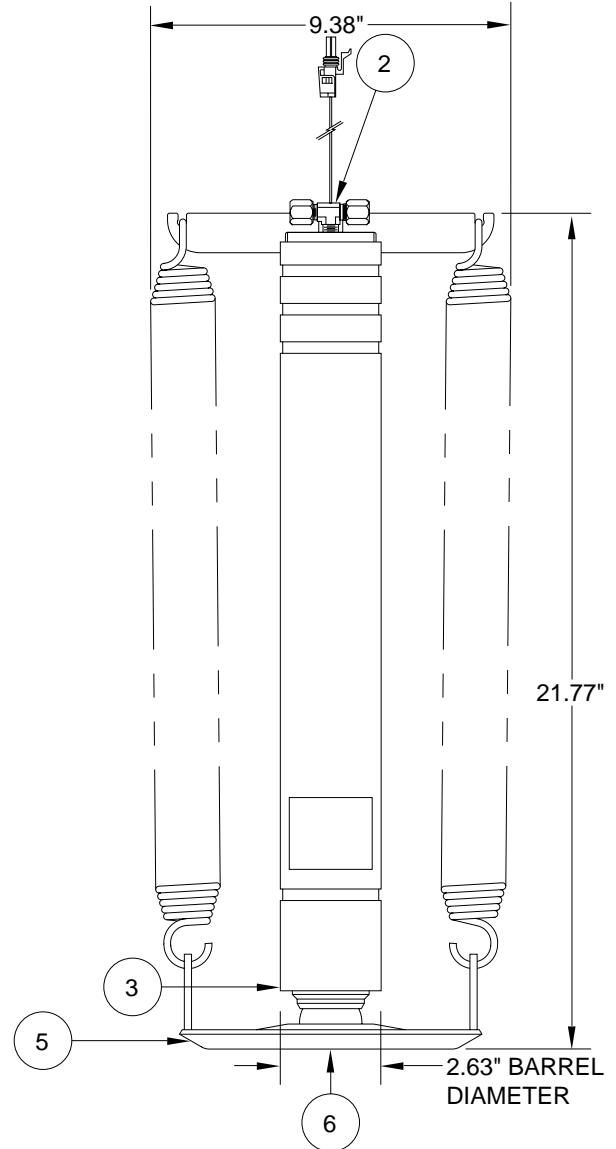
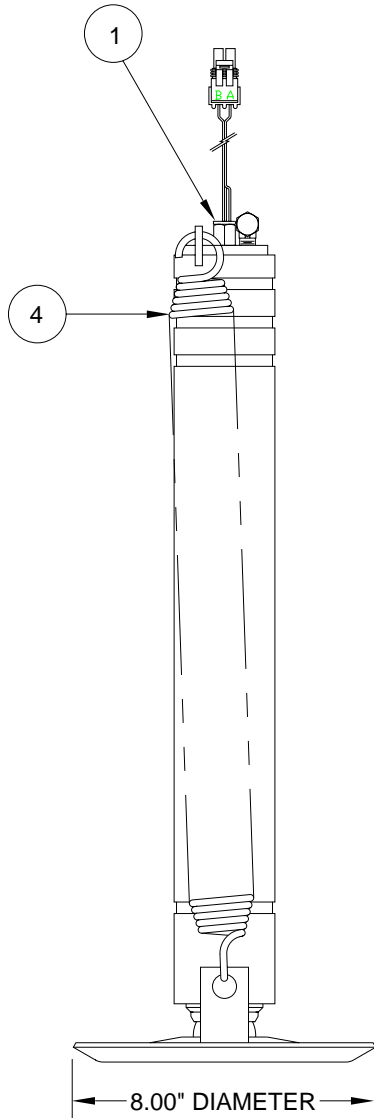
ITEM	PART	QTY	DESCRIPTION
	RAP46747		JACK 9,000 # X 13" FIXED (REPLACES AP46747 / RX92728)
1	RAP26641	1	SWITCH WARNING MAGNETIC GRAY
2	RF0734	1	MALE TEE SPECIAL
3	RAP45656	1	CYL. ASSY. 2.000" x 13" (INCLUDES ITEM 2 ONLY) (REPLACES RAP92729)

ITEM	PART	QTY	DESCRIPTION
4	R3847	1	SPRING KIT 1-11/16" X 14"
		2	SPRING 1-11/16" X 14"
5	RAP39906	1	FOOT 8.00" DIAMETER (INCLUDES ITEM 6) (REPLACES RAP92406)
6	RAP93767	1	SPHERE & STUD KIT FOR FOOT

NOTE: INDENTED ITEMS ARE INCLUDED WITH PRECEDING ITEM.

MR25.3214
17SEP20

AP49759 - RAP49759
STRAIGHT-ACTING JACK, FIXED
9,000 # CAPACITY; 2.000" ROD DIAMETER; 15.00" STROKE; BOLT-ON FOOT



ITEM	PART	QTY	DESCRIPTION
	RAP49759		JACK 9,000 # X 15" FIXED (REPLACES AP49759 / RX93260)
1	RAP26641	1	SWITCH WARNING MAGNETIC GRAY
2	RF0734	1	MALE TEE SPECIAL
3	RAP45659	1	CYL. ASSY. 2.000" x 15" (INCLUDES ITEM 2 ONLY) (REPLACES RAP93045)

ITEM	PART	QTY	DESCRIPTION
4	R3848	1	SPRING KIT 1-11/16" X 18"
		2	SPRING 1-11/16" X 18"
5	RAP39906	1	FOOT 8.00" DIAMETER (INCLUDES ITEM 6) (REPLACES RAP92406)
6	RAP93767	1	SPHERE & STUD KIT FOR FOOT

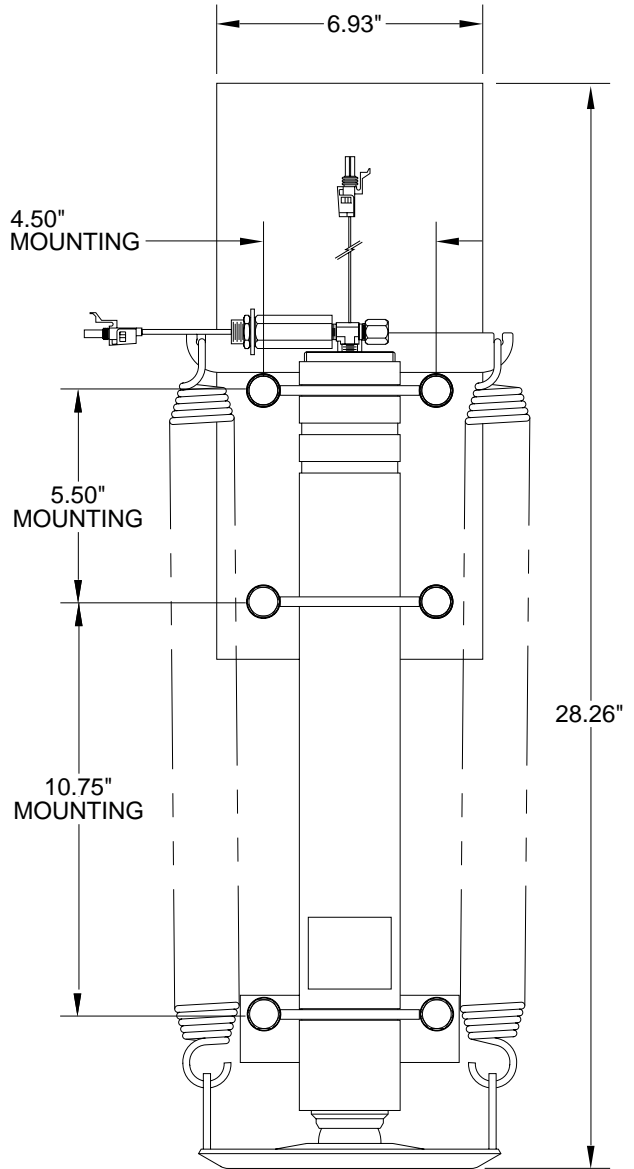
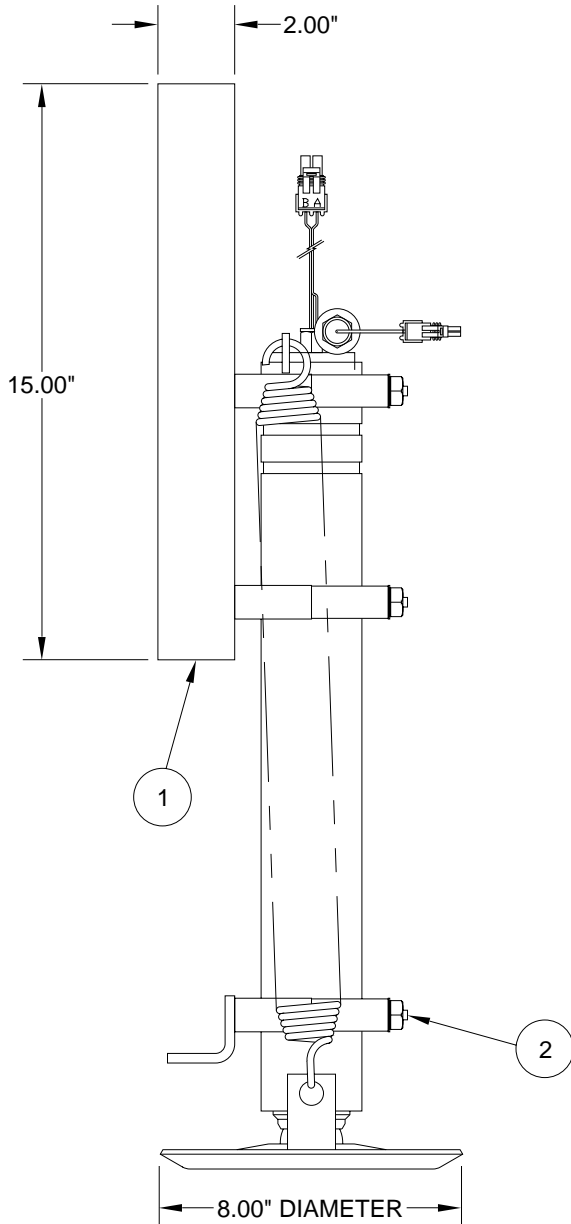
NOTE: INDENTED ITEMS ARE INCLUDED WITH PRECEDING ITEM.

MR25.3230
16SEP20

AP49587 - RAP49587

STRAIGHT-ACTING JACK, FIXED

9,000 # CAPACITY; 2.00" ROD DIAMETER; 15.00" STROKE; BOLT-ON FOOT WITH MAGNETIC WARNING SWITCH AND PRESSURE SWITCH



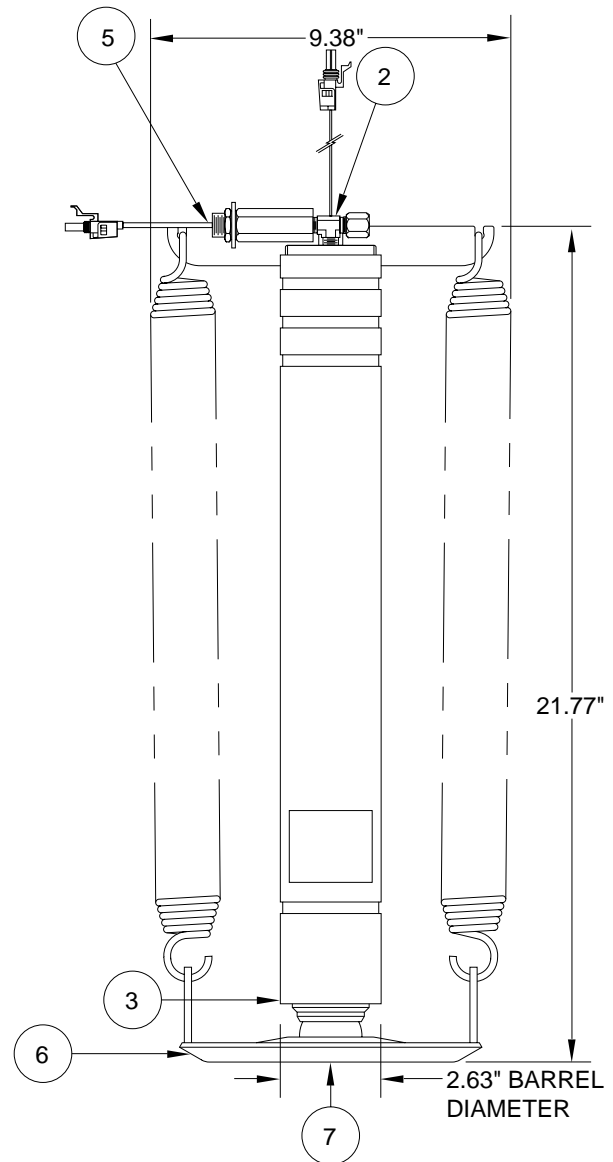
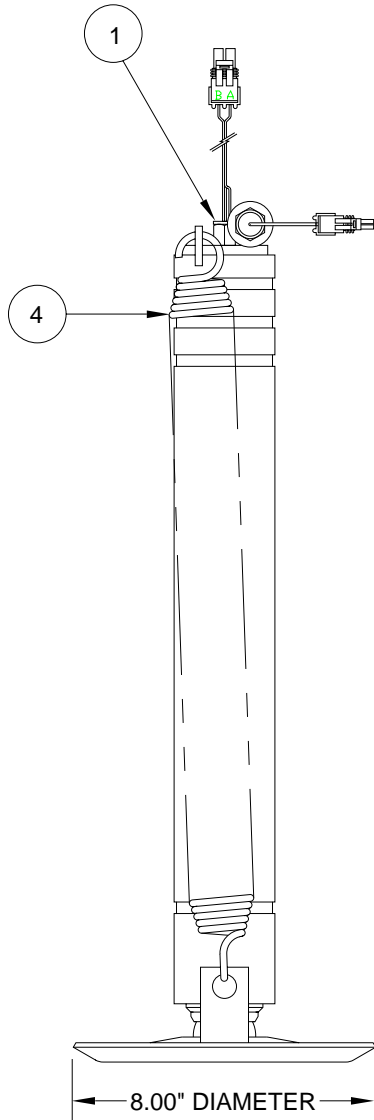
ITEM	PART	QTY	DESCRIPTION
			FOR CYLINDER, SPRING, SWITCH, AND FOOT INFORMATION SEE AP45660
	RAP49587		JACK 9,000 # X 15" F/A (REPLACES AP49587)
1	RAP93041	1	MOUNTING BRACKET ASSEMBLY. INCLUDES OUTER CLAMPS AND HARDWARE. DOES NOT INCLUDE ITEM #2.

ITEM	PART	QTY	DESCRIPTION
2	RAP93106	1	CROSSTIE CLAMP KIT INCLUDES INNER CLAMP, OUTER CLAMP, ANGLE BRACKET AND HARDWARE.

NOTE: INDENTED ITEMS ARE INCLUDED WITH PRECEDING ITEM.

MR25.3230A
24SEP20

AP45660 - RAP45660
STRAIGHT-ACTING JACK, FIXED
9,000 # CAPACITY; 2.000" ROD DIAMETER; 15.00" STROKE; BOLT-ON FOOT



ITEM	PART	QTY	DESCRIPTION
	RAP45660		JACK 9,000 # X 15" F/A (REPLACES AP45660)
1	RAP26641	1	SWITCH WARNING MAGNETIC GRAY
2	RF0734	1	MALE TEE SPECIAL
3	RAP45659	1	CYL. ASSY. 2.000" x 15" (INCLUDES ITEM 2 ONLY) (REPLACES RAP93045)

ITEM	PART	QTY	DESCRIPTION
4	R3848	1	SPRING KIT 1-11/16" X 18"
		2	SPRING 1-11/16" X 18"
5	RAP8003	1	SWITCH PRESSURE
6	RAP39906	1	FOOT 8.00" DIAMETER (INCLUDES ITEM 7) (REPLACES RAP92406)
7	RAP93767	1	SPHERE & STUD KIT FOR FOOT

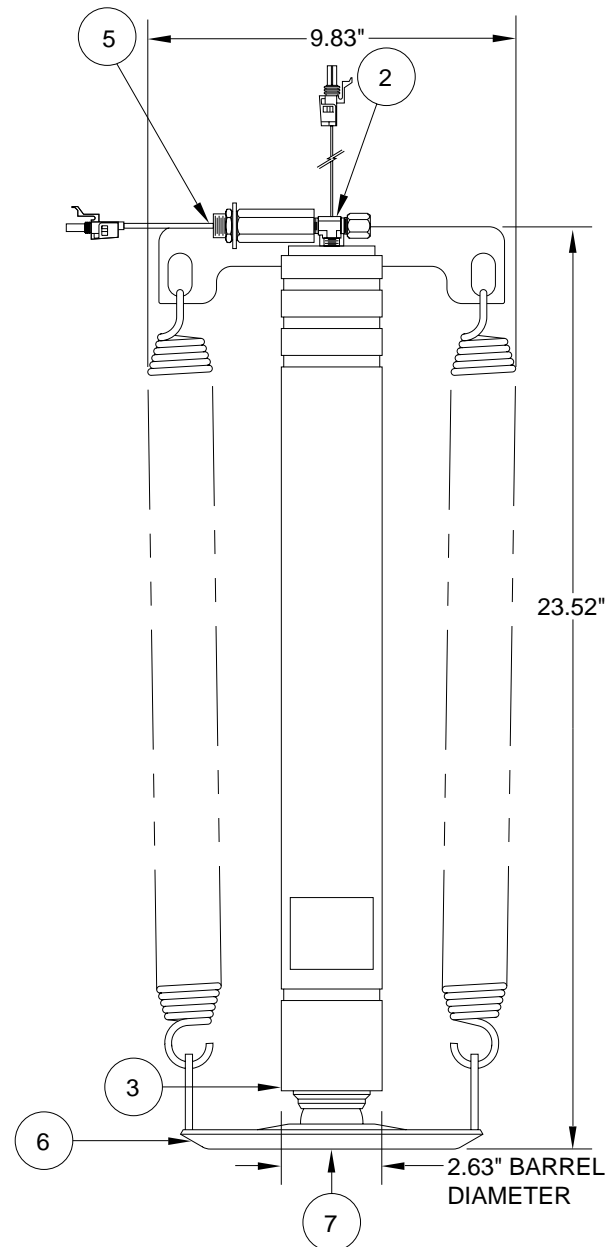
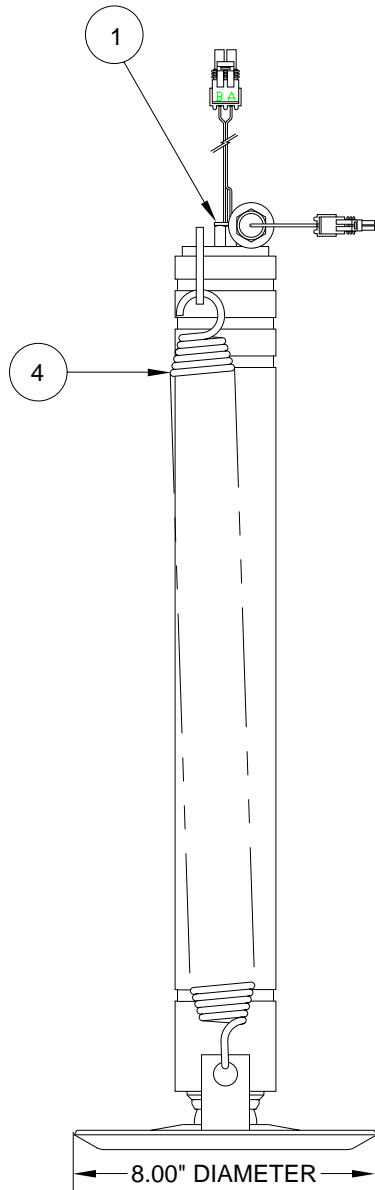
NOTE: INDENTED ITEMS ARE INCLUDED WITH PRECEDING ITEM.

MR25.3231
24SEP20

AP49585 - RAP49585

STRAIGHT-ACTING JACK, FIXED

9,000 # CAPACITY; 2.000" ROD DIAMETER; 16.00" STROKE; BOLT-ON FOOT WITH MAGNETIC WARNING SWITCH AND PRESSURE SWITCH



ITEM	PART	QTY	DESCRIPTION
	RAP49585		JACK 9,000 # X 16" F/A (REPLACES AP49585)
1	RAP26641	1	SWITCH WARNING MAGNETIC GRAY
2	RF0734	1	MALE TEE SPECIAL
3	RAP49584	1	CYL. ASSY. 2.000" x 16" (INCLUDES ITEM 2 ONLY) (REPLACES RAP93044)

ITEM	PART	QTY	DESCRIPTION
4	R3848	1	SPRING KIT 1-11/16" X 18"
		2	SPRING 1-11/16" X 18"
5	RAP8003	1	SWITCH PRESSURE
6	RAP39906	1	FOOT 8.00" DIAMETER (INCLUDES ITEM 7) (REPLACES RAP92406)
7	RAP93767	1	SPHERE & STUD KIT FOR FOOT

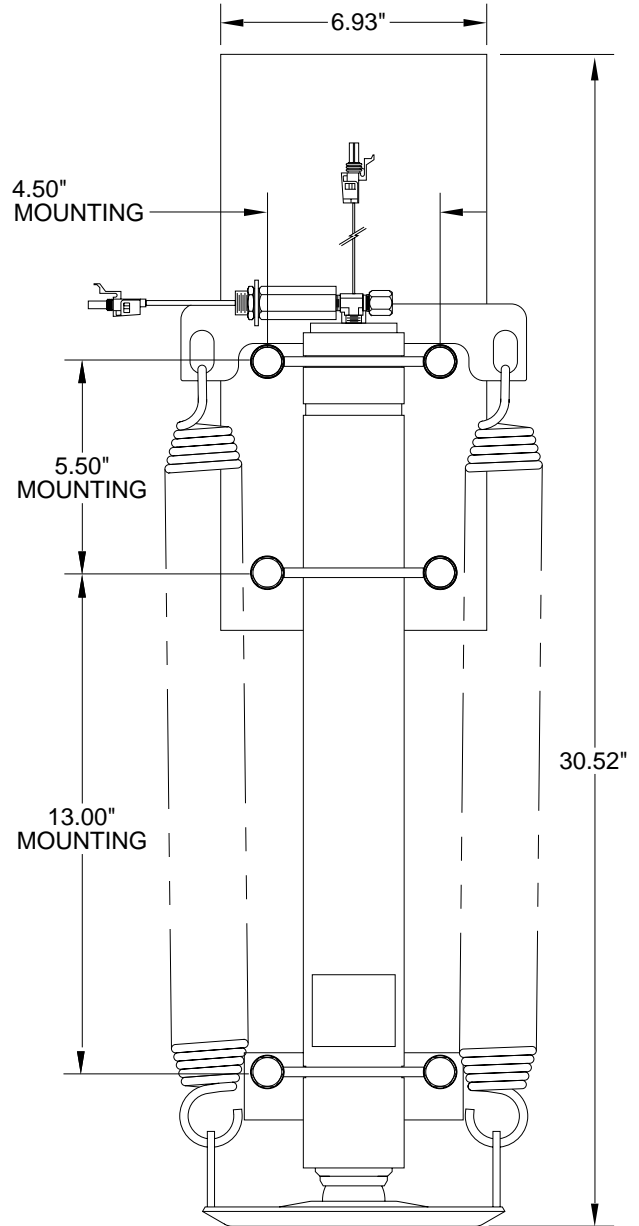
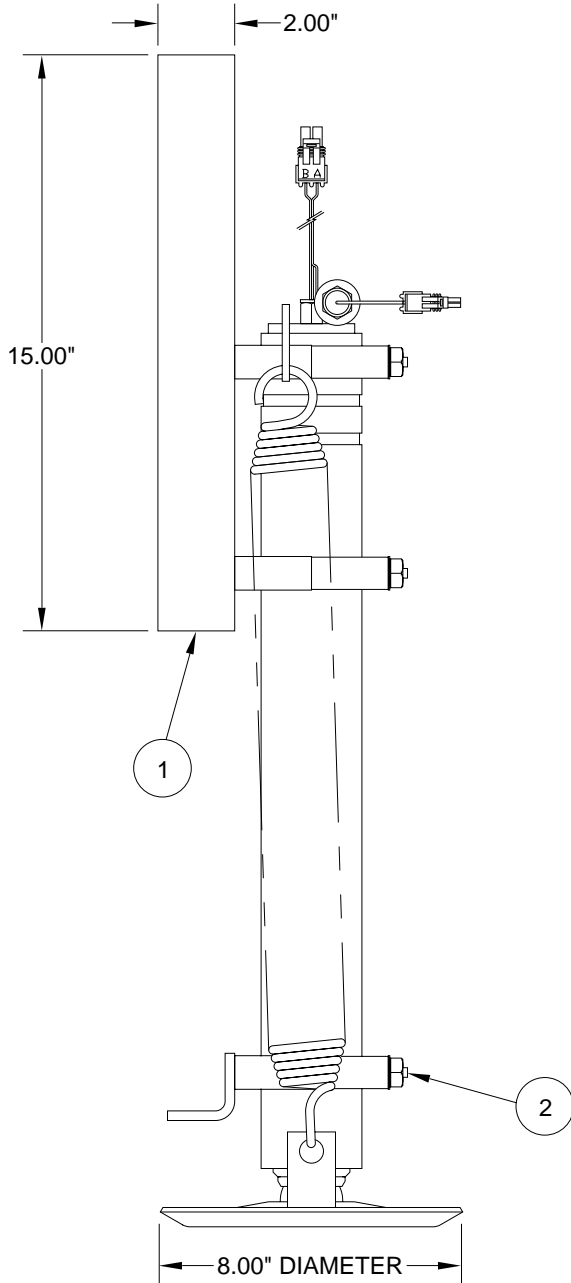
NOTE: INDENTED ITEMS ARE INCLUDED WITH PRECEDING ITEM.

**MR25.3235
24SEP20**

AP49588 - RAP49588

STRAIGHT-ACTING JACK, FIXED

9,000 # CAPACITY; 2.00" ROD DIAMETER; 16.00" STROKE; BOLT-ON FOOT WITH MAGNETIC WARNING SWITCH AND PRESSURE SWITCH



ITEM	PART	QTY	DESCRIPTION
			FOR CYLINDER, SPRING, SWITCH, AND FOOT INFORMATION SEE AP49585
	RAP49588		JACK 9,000 # X 16" F/A (REPLACES AP49588)
1	RAP93041	1	MOUNTING BRACKET ASSEMBLY. INCLUDES OUTER CLAMPS AND HARDWARE. DOES NOT INCLUDE ITEM #2.

ITEM	PART	QTY	DESCRIPTION
2	RAP93106	1	CROSSTIE CLAMP KIT INCLUDES INNER CLAMP, OUTER CLAMP, ANGLE BRACKET AND HARDWARE.

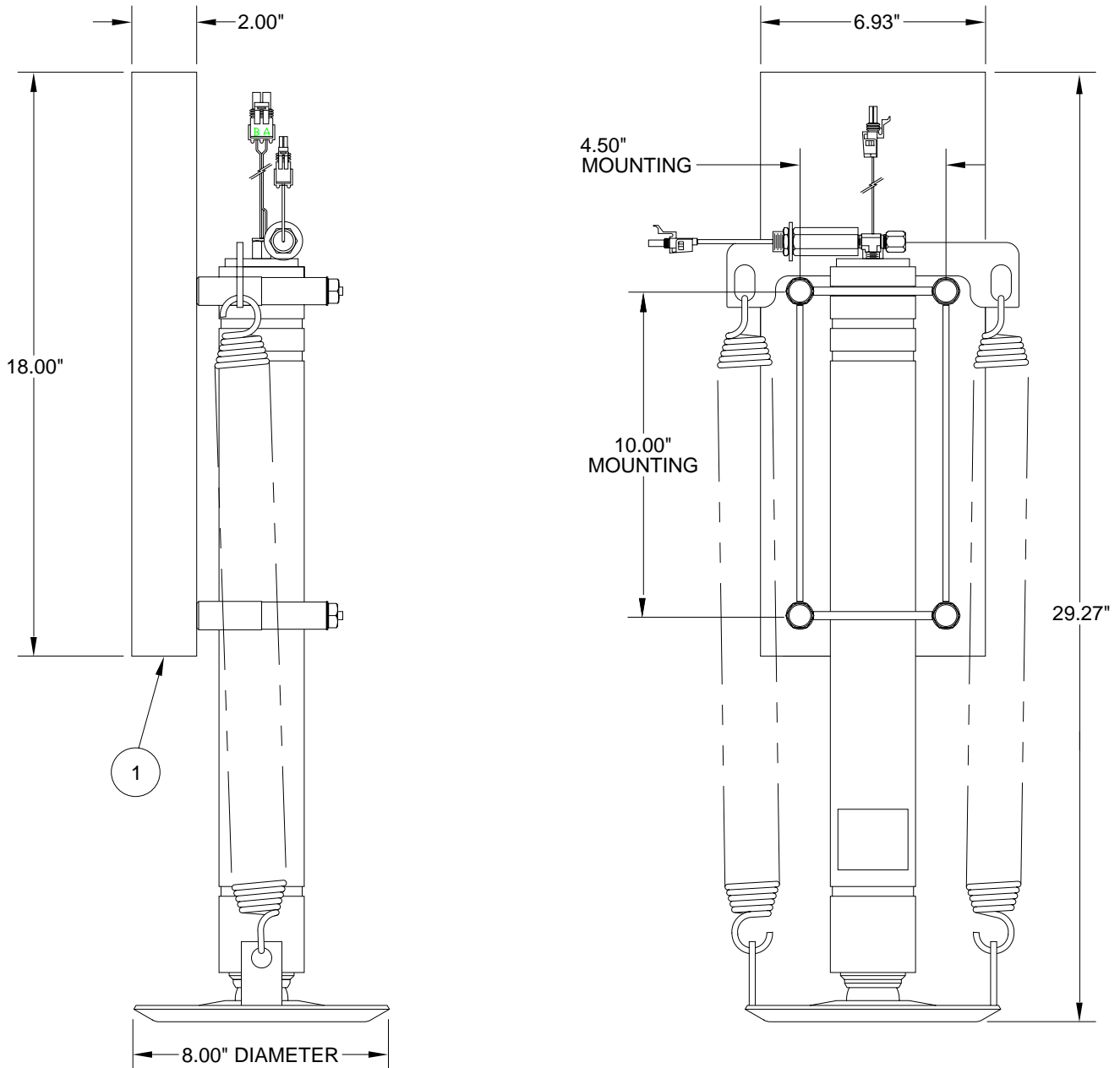
NOTE: INDENTED ITEMS ARE INCLUDED WITH PRECEDING ITEM.

MR25.3235A
24SEP20

AP51733 - RAP51733

STRAIGHT-ACTING JACK, FIXED

9,000 # CAPACITY; 2.00" ROD DIAMETER; 16.00" STROKE; BOLT-ON FOOT WITH MAGNETIC WARNING SWITCH AND PRESSURE SWITCH



ITEM	PART	QTY	DESCRIPTION
------	------	-----	-------------

FOR CYLINDER, SPRING, SWITCH, AND FOOT INFORMATION SEE AP49585

RAP51733 JACK 9,000 # X 16" F/A (REPLACES AP51733)

1	RAP93043	1	MOUNTING BRACKET ASSEMBLY. INCLUDES CHANNEL, INNER CLAMP WELDMENT, AND OUTER CLAMPS WITH HARDWARE.
---	----------	---	--

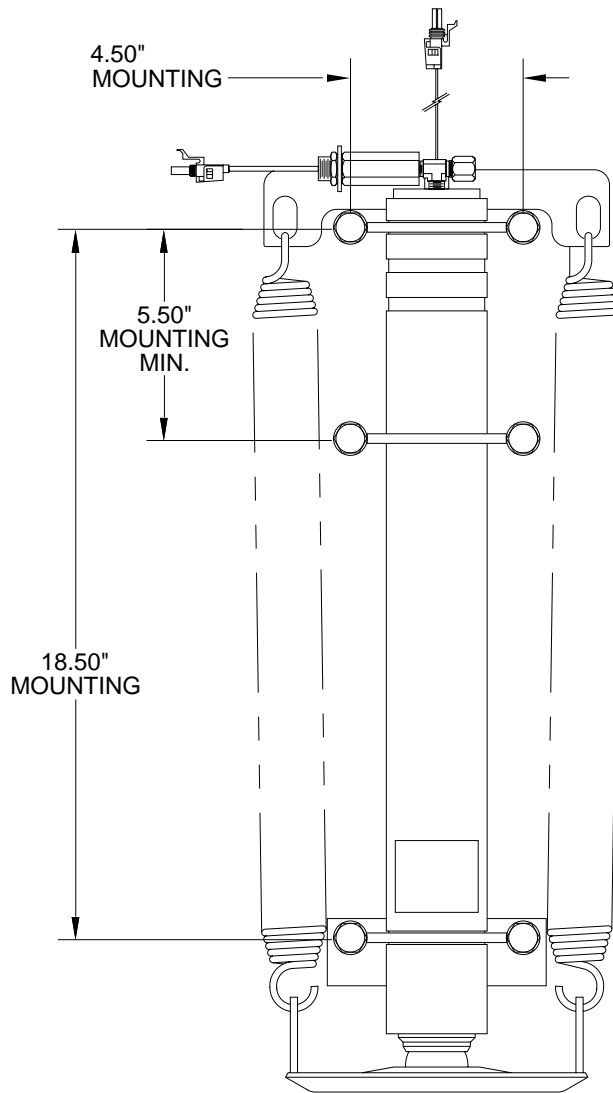
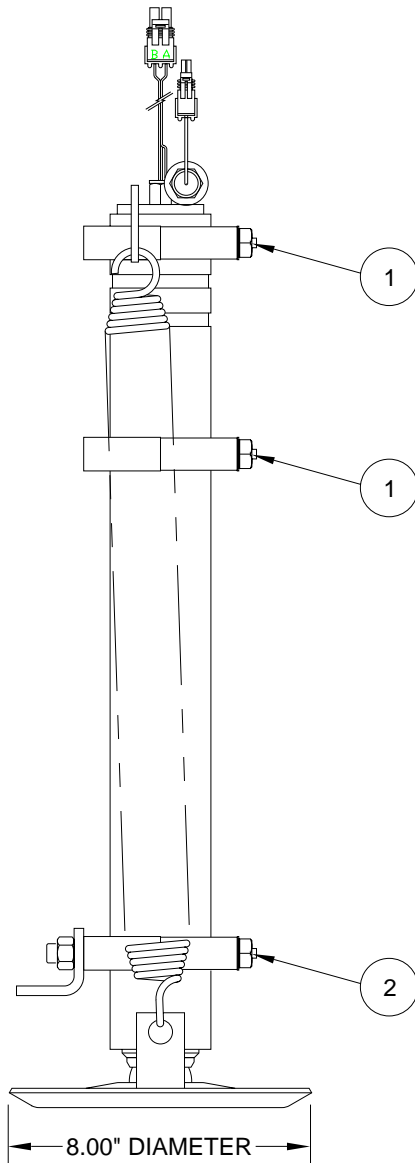
NOTE: INDENTED ITEMS ARE INCLUDED WITH PRECEDING ITEM.

MR25.3235B
24SEP20

AP51778 - RAP51778

STRAIGHT-ACTING JACK, FIXED

9,000 # CAPACITY; 2.000" ROD DIAMETER; 16.00" STROKE; BOLT-ON FOOT WITH MAGNETIC WARNING SWITCH AND PRESSURE SWITCH



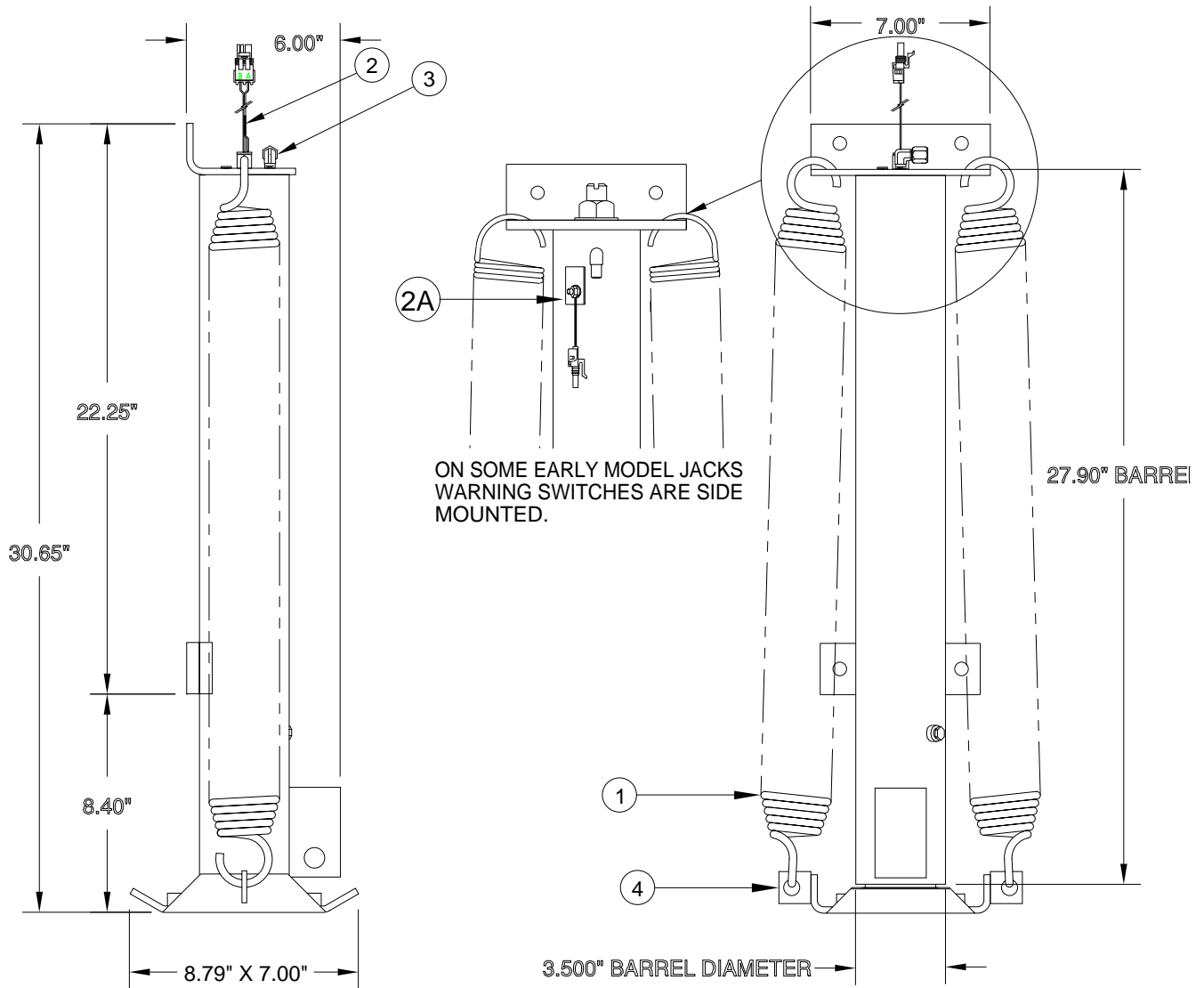
ITEM	PART	QTY	DESCRIPTION
			FOR CYLINDER, SPRING, SWITCH, AND FOOT INFORMATION SEE AP49585
	RAP51778		JACK 9,000 # X 16" F/A (REPLACES AP51778)
1	RAP93104	1	CLAMP KIT WELD ON INCLUDES HARDWARE, DOES NOT INCLUDE ITEM #2.

ITEM	PART	QTY	DESCRIPTION
2	RAP93106	1	CROSSTIE CLAMP KIT INCLUDES HARDWARE, AND CROSSTIE MOUNTING ANGLE

NOTE: INDENTED ITEMS ARE INCLUDED WITH PRECEDING ITEM.

MR25.3235C
24SEP20

AP3326 - RAP3326
STRAIGHT - ACTING JACK, FIXED
10,000 # CAPACITY; 2.75" ROD DIAMETER; 21.00" STROKE
USED ON FIFTH WHEEL COACHES



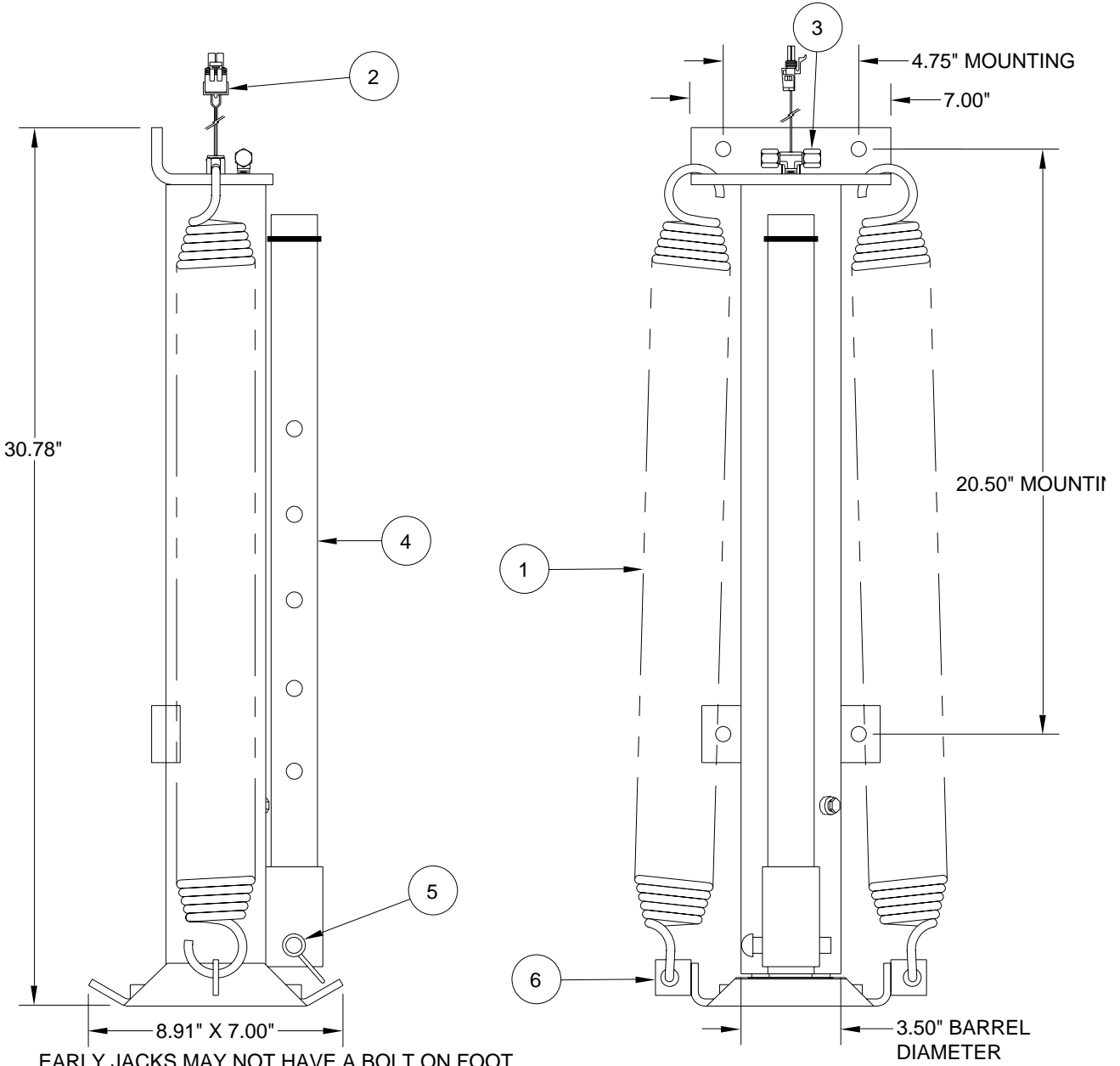
EARLY JACKS MAY NOT HAVE A BOLT ON FOOT.

ITEM	PART	QTY	DESCRIPTION	ITEM	PART	QTY	DESCRIPTION
	RAP3326		JACK 10,000 # X 21" FIXED (REPLACES AP3326)(FOR FIFTH WHEEL COACHES)	2A	RAP5027	1	SWITCH WARNING SIDE PORT - USED ON SOME EARLY MODEL COACHES
1	R1905	1	SPRING KIT 2-3/4" X 22"	3	RF1453	1	ELBOW 1/8" X 1/4"
		2	SPRING 2-3/4" X 22"	4	RAP37540	1	FOOT 9" x 7" (REPLACES RAP93128)
2	RAP1008	1	SWITCH WARNING 2-WIRE				

NOTE: INDENTED ITEMS ARE INCLUDED WITH PRECEDING ITEM.

MR25.4050
09OCT20

AP0285 - RAP0285
STRAIGHT-ACTING JACK, FIXED
10,000 # CAPACITY; 2.750" ROD DIAMETER; 21.00" STROKE
USED ON FIFTH WHEEL COACHES



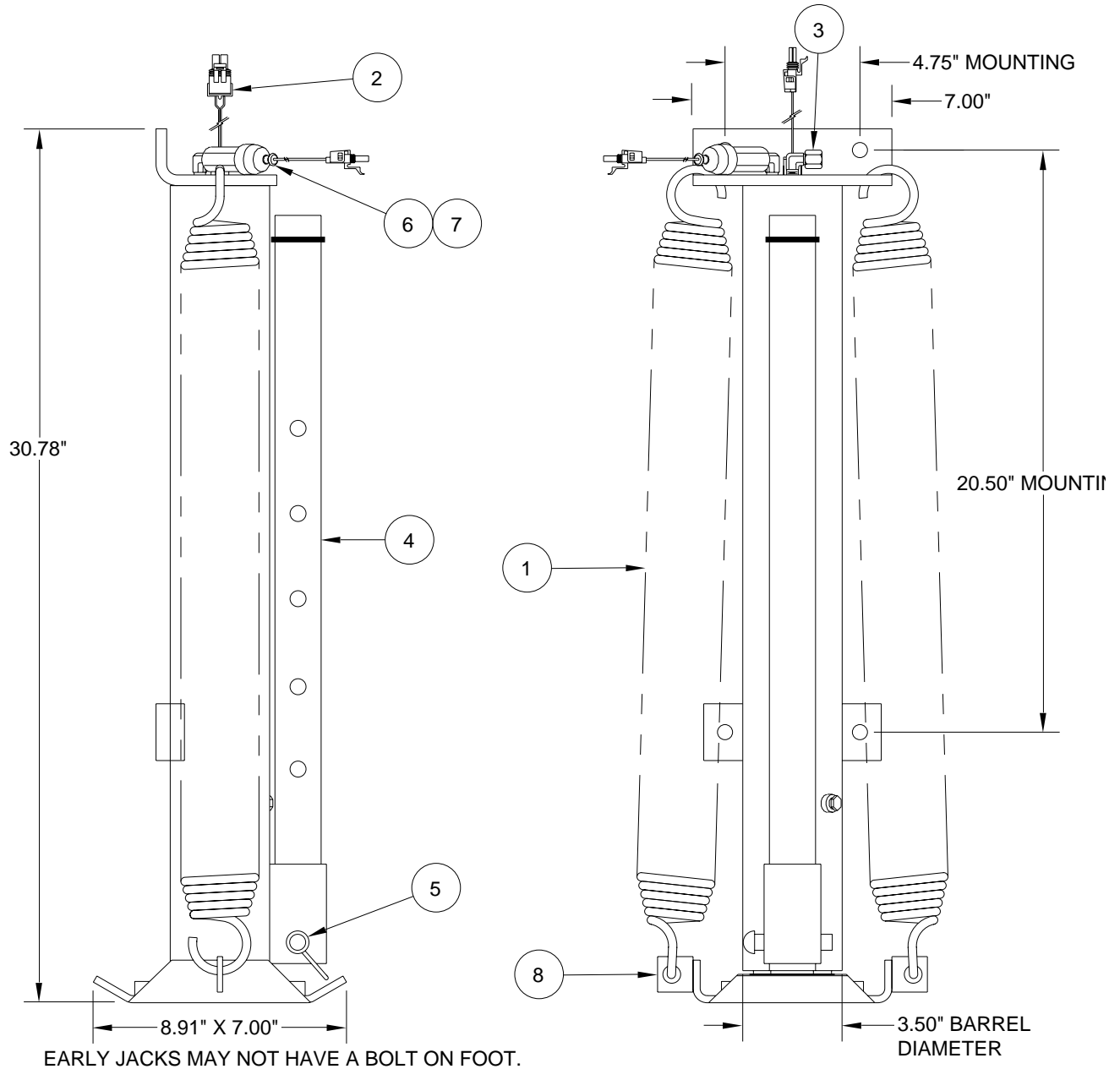
ITEM	PART	QTY	DESCRIPTION
	RAP0285		JACK 10,000 # X 21" FIXED (REPLACES AP0285)
1	R1905	1	SPRING KIT 2-3/4" X 22.00"
		2	SPRING 2-3/4" X 22.00"
2	RAP1008	1	SWITCH WARNING 2-WIRE

ITEM	PART	QTY	DESCRIPTION
3	RF6966	1	MALE TEE 1/8" X 1/4" X 1/4"
4	RAP0271	1	STOP ROD
5	RAP0281	1	RETAINING PIN
6	RAP37540	1	FOOT 9" X 7" (REPLACES RAP93128)

NOTE: INDENTED ITEMS ARE INCLUDED WITH PRECEDING ITEM.

MR25.4100
09OCT20

AP15183 - RAP15183
STRAIGHT-ACTING JACK, FIXED
10,000 # CAPACITY; 2.750" ROD DIAMETER; 21.00" STROKE
WITH PRESSURE SWITCH - USED ON FIFTH WHEEL COACHES



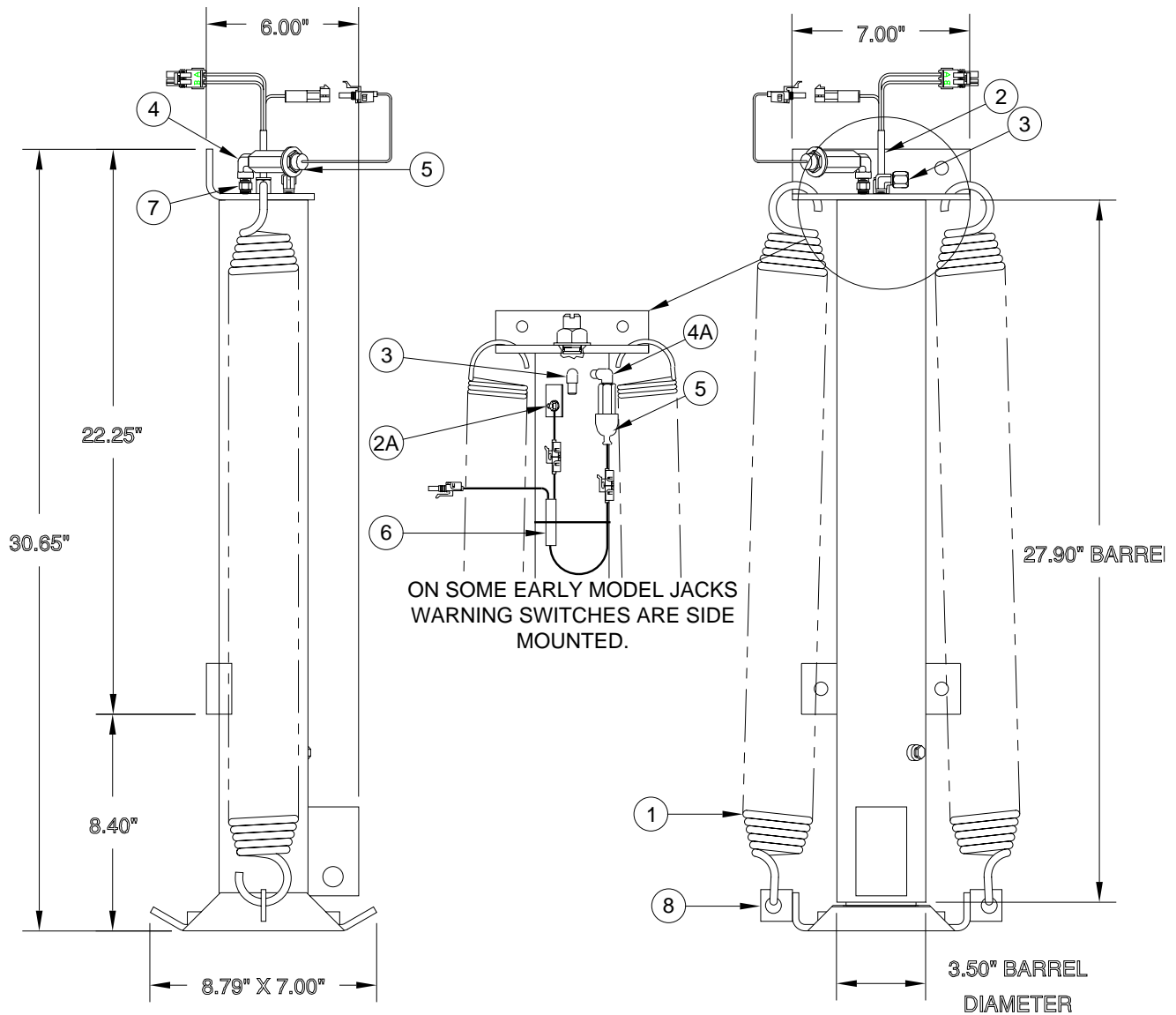
ITEM	PART	QTY	DESCRIPTION
	RAP15183		JACK 10,000 # X 21" FIXED (REPLACES AP15183 / RAP91606)
1	R1905	1 2	SPRING KIT 2-3/4" X 22.00" SPRING 2-3/4" X 22.00"
2	RAP1008	1	SWITCH WARNING 2-WIRE
3	RF1453	1	ELBOW 1/8" X 1/4"
4	RAP0271	1	STOP ROD

ITEM	PART	QTY	DESCRIPTION
5	RAP0281	1	RETAINING PIN
6	RF8143	1	ELBOW 1/8" X 1/8"
7	RAP8003	1	SWITCH PRESSURE
8	RAP37540	1	FOOT 9" X 7" (REPLACES RAP93128)

NOTE: INDENTED ITEMS ARE INCLUDED WITH PRECEDING ITEM.

MR25.4100A
09OCT20

AP9438 - RAP9438
STRAIGHT-ACTING JACK, FIXED
10,000 # CAPACITY; 2.750" ROD DIAMETER; 21.00" STROKE
WITH PRESSURE SWITCH - USED ON FIFTH WHEEL COACHES



EARLY JACKS MAY NOT HAVE A BOLT ON FOOT.

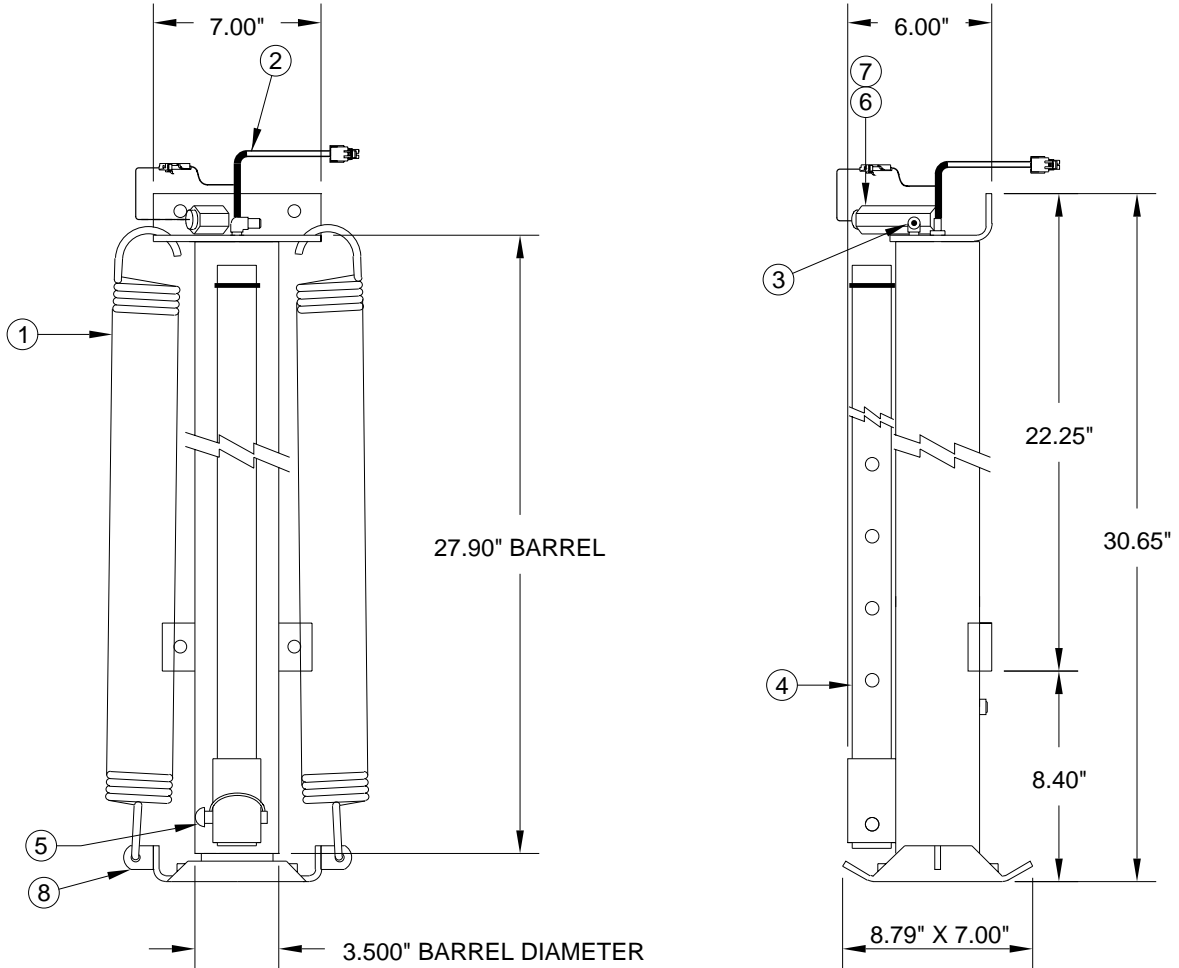
ITEM	PART	QTY	DESCRIPTION
	RAP9438		JACK 10,000 # X 21" FIXED (REPLACES AP9438)
1	R1905	1	SPRING KIT 2-3/4" X 22"
		2	SPRING 2-3/4" X 22"
2	RAP90073	1	SWITCH WARNING 3-WIRE
2A	RAP5027	1	SWITCH WARNING SIDE PORT - USED ON SOME EARLY MODEL JACKS
3	RF1453	1	ELBOW 1/8" X 1/4"

ITEM	PART	QTY	DESCRIPTION
4	RF11576	1	STREET ELBOW 1/8"
4A	RF8143	1	ELBOW 1/8" X 1/4"
5	RAP8003	1	SWITCH PRESSURE
6	RAP9072	1	INTERFACE WARNING/PRESSURE SWITCH
7	RF9315	1	NIPPLE 1/8"
8	RAP37540	1	FOOT 9" X 7" (REPLACES RAP93128)

NOTE: INDENTED ITEMS ARE INCLUDED WITH PRECEDING ITEM.

MR25.4150
09OCT20

AP0360 - RAP0360 - STRAIGHT - ACTING JACK, FIXED
10,000 # CAPACITY; 2.75" ROD DIAMETER; 21.00" STROKE
WITH PRESSURE SWITCH AND 3-WIRE WARNING SWITCH
USED ON FIFTH WHEEL COACHES



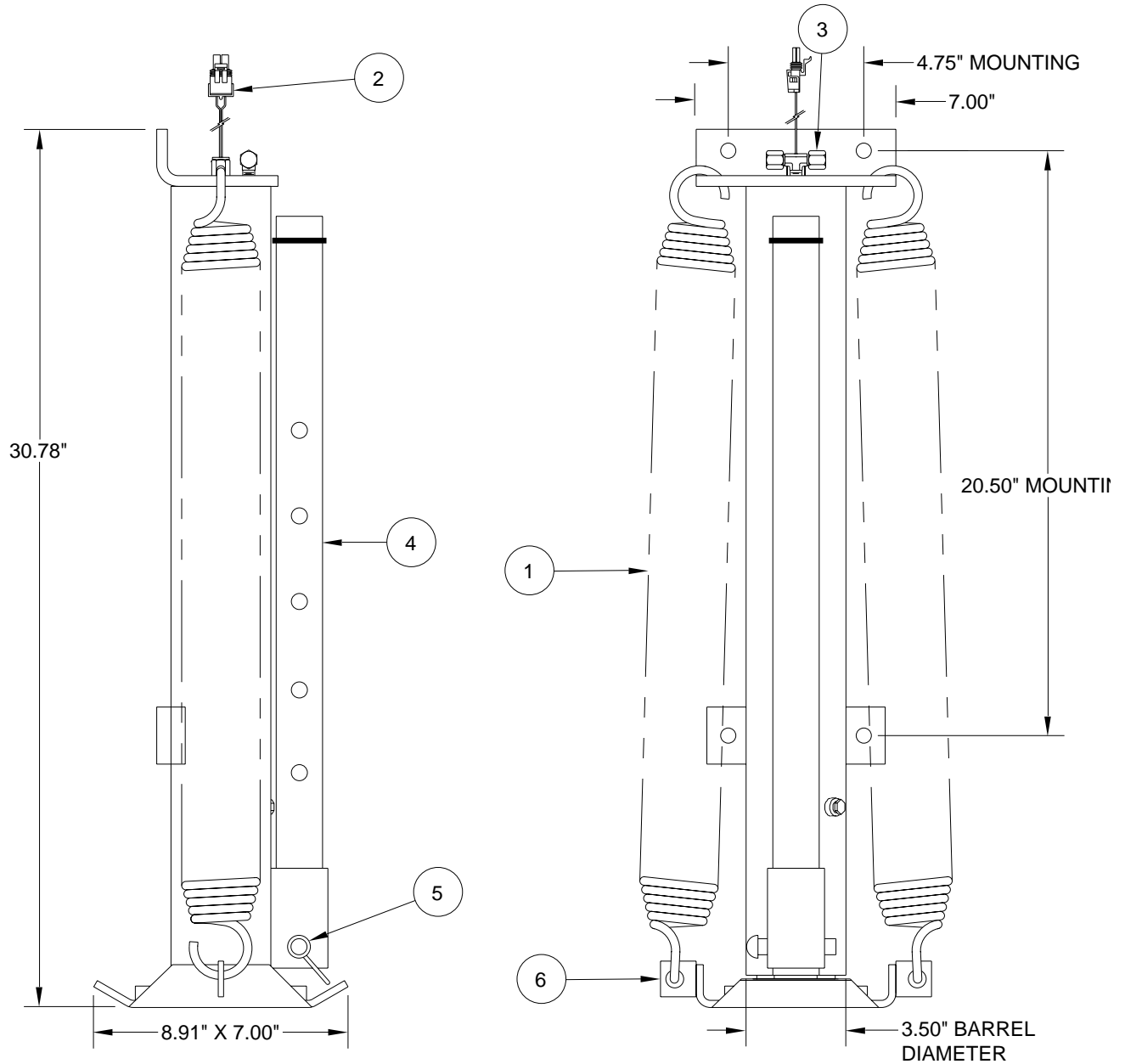
EARLY JACKS MAY NOT HAVE A BOLT ON FOOT.

ITEM	PART	QTY	DESCRIPTION	ITEM	PART	QTY	DESCRIPTION
	RAP0360		JACK 10,000 # X 21" FIXED (REPLACES AP0360) (FOR FIFTH WHEEL COACHES).	3	RF1453	1	ELBOW 1/8" X 1/4"
1	R1905	1	SPRING KIT 2-3/4" X 22"	4	RAP0271	1	STOP ROD
		2	SPRING 2-3/4" X 22"	5	RAP0281	1	RETAINING PIN
2	RAP90073	1	SWITCH WARNING 3-WIRE	6	RF8143	1	ELBOW 1/8" X 1/4"
				7	RAP8003	1	SWITCH PRESSURE
				8	RAP37540	1	FOOT 9" X 7" (REPLACES RAP93128)

NOTE: INDENTED ITEMS ARE INCLUDED WITH PRECEDING ITEM.

MR25.4200
09OCT20

AP34500 - RAP34500
STRAIGHT-ACTING JACK, FIXED
10,000 # CAPACITY; 2.750" ROD DIAMETER; 21.00" STROKE
USED ON FIFTH WHEEL COACHES



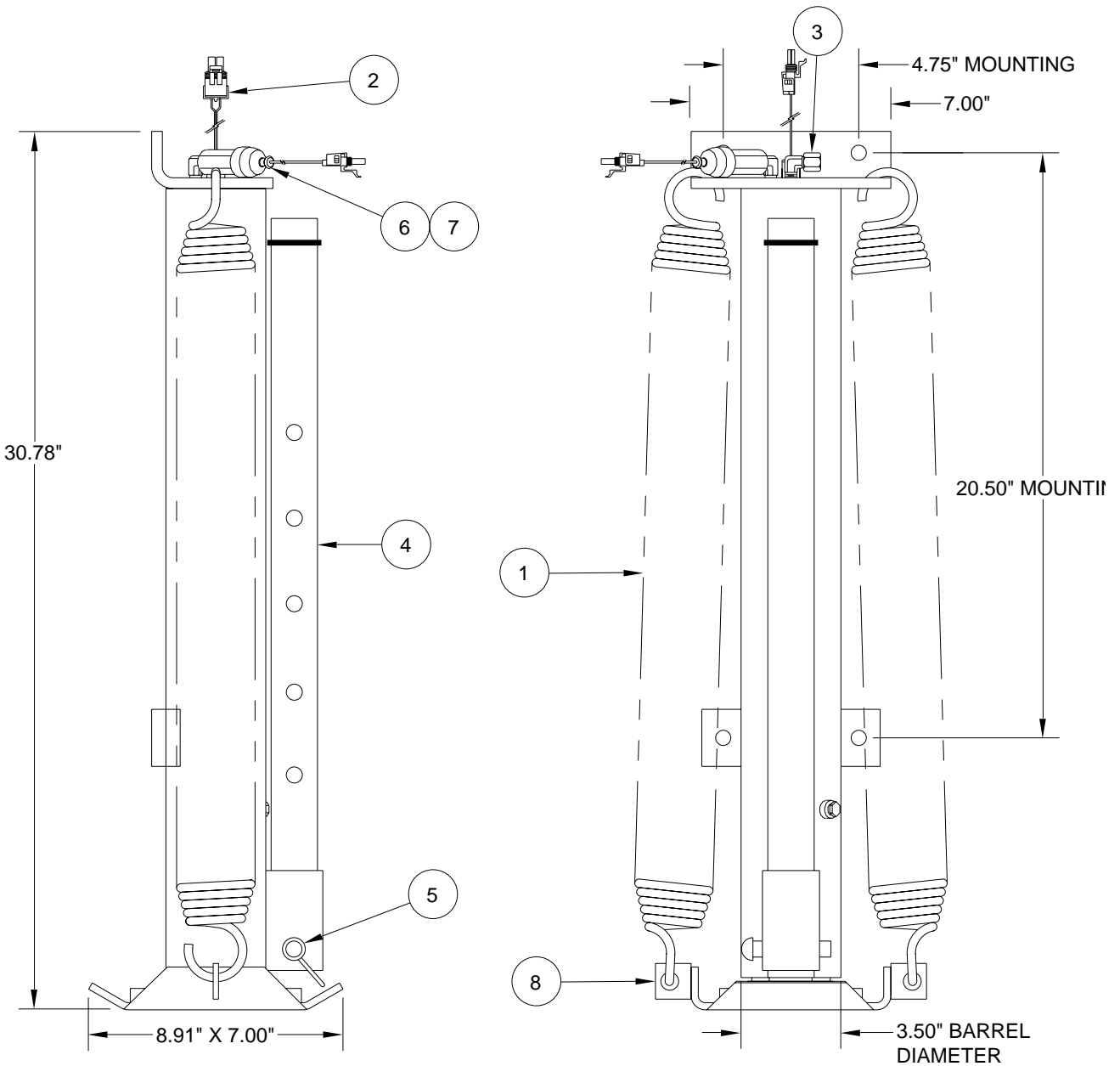
ITEM	PART	QTY	DESCRIPTION
	RAP34500		JACK 10,000 # X 21" FIXED (REPLACES AP34500 / RAP91605)
1	R1905	1	SPRING KIT 2-3/4" X 22.00"
		2	SPRING 2-3/4" X 22.00"
2	RAP26641	1	SWITCH WARNING MAGNETIC GRAY (REPLACES RAP90968)

ITEM	PART	QTY	DESCRIPTION
3	RF6966	1	MALE TEE 1/8" X 1/4" X 1/4"
4	RAP0271	1	STOP ROD
5	RAP0281	1	RETAINING PIN
6	RAP37540	1	FOOT 9" X 7" (REPLACES RAP93128)

NOTE: INDENTED ITEMS ARE INCLUDED WITH PRECEDING ITEM.

MR25.4205
09OCT20

AP34941 - RAP34941
STRAIGHT-ACTING JACK, FIXED
10,000 # CAPACITY; 2.750" ROD DIAMETER; 21.00" STROKE
USED ON FIFTH WHEEL COACHES



ITEM	PART	QTY	DESCRIPTION
	RAP34941		JACK 10,000 # X 21" FIXED (REPLACES AP34941 / RAP92448)
1	R1905	1	SPRING KIT 2-3/4" X 22.00"
		2	SPRING 2-3/4" X 22.00"
2	RAP26641	1	SWITCH WARNING MAGNETIC GRAY (REPLACES RAP90968)
3	RF1453	1	ELBOW 1/8" X 1/4"

ITEM	PART	QTY	DESCRIPTION
4	RAP0271	1	STOP ROD
5	RAP0281	1	RETAINING PIN
6	RF8143	1	ELBOW 1/8" X 1/8"
7	RAP8003	1	SWITCH PRESSURE
8	RAP37540	1	FOOT 9" X 7" (REPLACES RAP93128)

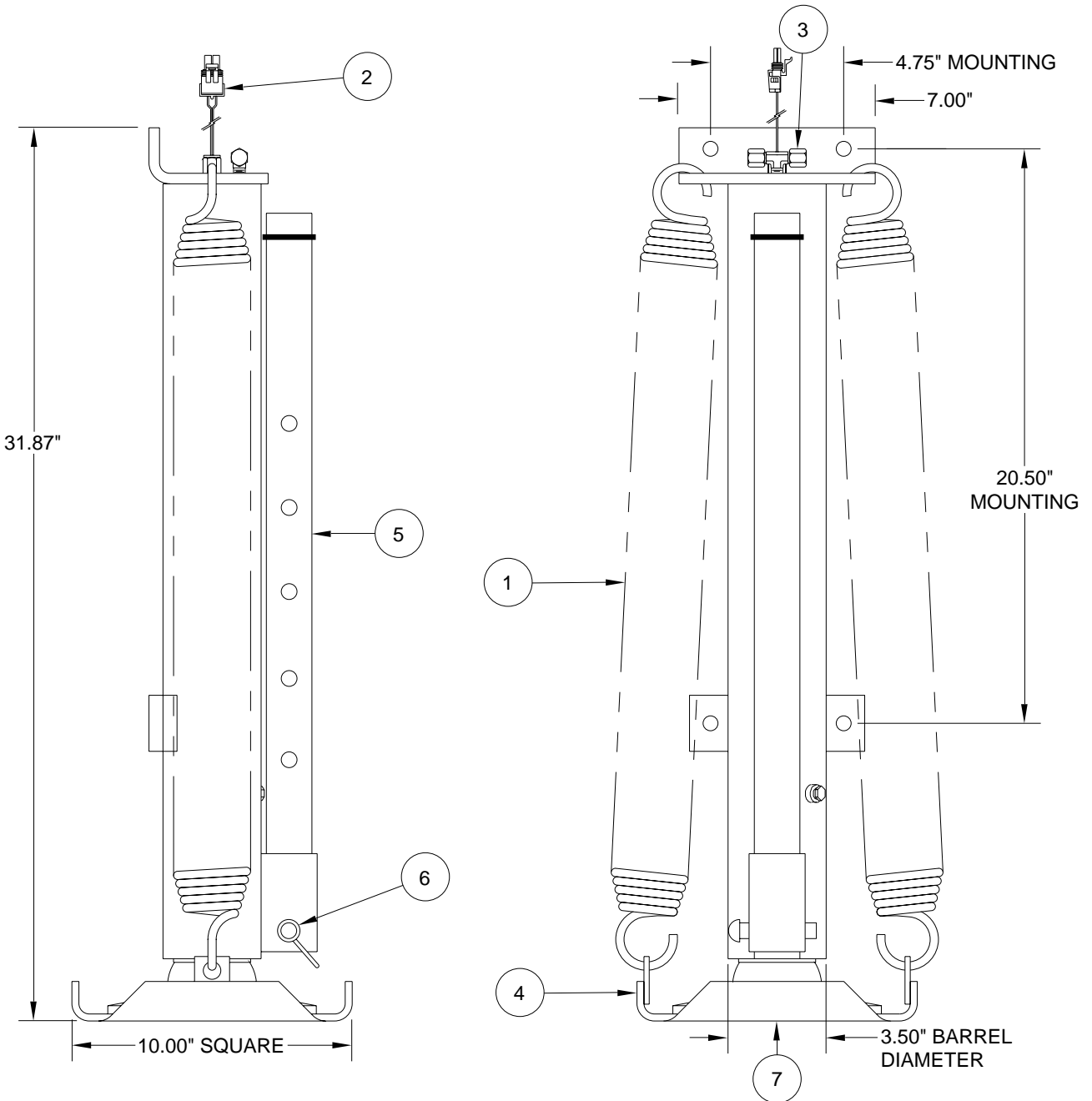
NOTE: INDENTED ITEMS ARE INCLUDED WITH PRECEDING ITEM.

MR25.4205A
09OCT20

AP36376 - RAP36376

STRAIGHT-ACTING JACK, FIXED

10,000 # CAPACITY; 2.750" ROD DIAMETER; 21.00" STROKE; BOLT-ON FOOT
USED ON FIFTH WHEEL COACHES



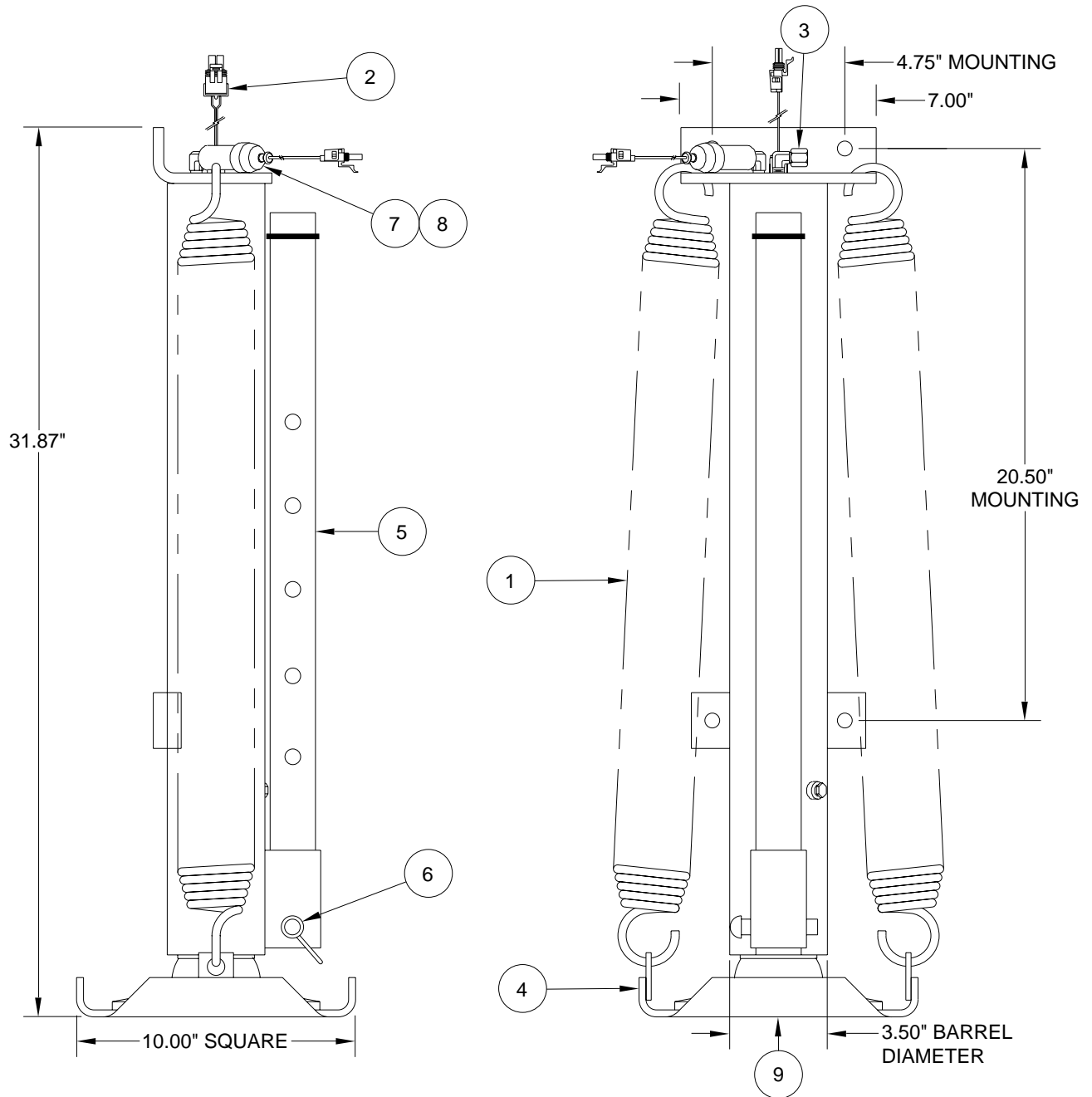
ITEM	PART	QTY	DESCRIPTION
	RAP36376		JACK 10,000 # X 21" FIXED (REPLACES AP36376 / RAP92005)
1	R1905	1	SPRING KIT 2-3/4" X 22.00"
		2	SPRING 2-3/4" X 22.00"
2	RAP26641	1	SWITCH WARNING 2-WIRE (REPLACES RAP90968)
3	RF6966	1	MALE TEE 1/8" X 1/4" X 1/4"

ITEM	PART	QTY	DESCRIPTION
4	RAP45550		FOOT 11.40" ROUND (INCLUDES ITEM 7) (REPLACES RAP92632) 10" SQUARE FOOT NO LONGER AVAILABLE
5	RAP0271	1	STOP ROD
6	RAP0281	1	RETAINING PIN
7	RAP92467	1	SPHERE & STUD KIT FOR FOOT

NOTE: INDENTED ITEMS ARE INCLUDED WITH PRECEDING ITEM.

MR25.4210
09OCT20

AP36807 - RAP36807
STRAIGHT-ACTING JACK, FIXED
10,000 # CAPACITY; 2.750" ROD DIAMETER; 21.00" STROKE; BOLT-ON FOOT
USED ON FIFTH WHEEL COACHES



ITEM	PART	QTY	DESCRIPTION
	RAP36807		JACK 10,000 # X 21" FIXED (REPLACES AP36807 / RAP92006)
1	R1905	1	SPRING KIT 2-3/4" X 22.00"
		2	SPRING 2-3/4" X 22.00"
2	RAP26641	1	SWITCH WARNING 2-WIRE (REPLACES RAP90968)
3	RF1453	1	ELBOW 1/8" X 1/4"

ITEM	PART	QTY	DESCRIPTION
4	RAP45550		FOOT 11.40" ROUND (INCLUDES ITEM 9) (REPLACES RAP92632)
			10" SQUARE FOOT NO LONGER AVAILABLE
5	RAP0271	1	STOP ROD
6	RAP0281	1	RETAINING PIN
7	RF8143	1	ELBOW 1/8" X 1/8"
8	RAP8003	1	SWITCH PRESSURE
9	RAP92467	1	SPHERE & STUD KIT FOR FOOT

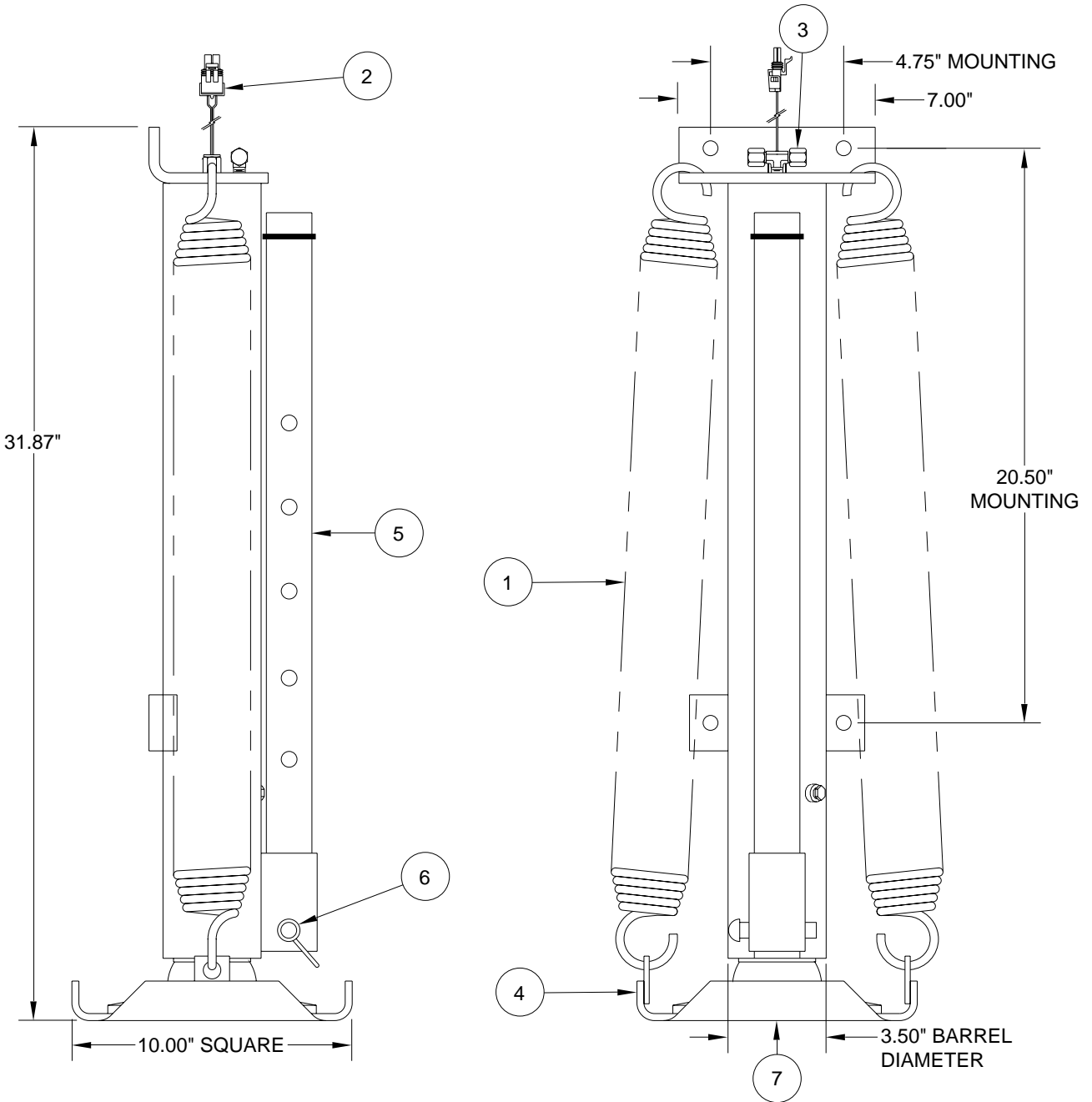
NOTE: INDENTED ITEMS ARE INCLUDED WITH PRECEDING ITEM.

MR25.4210A
09OCT20

AP36805 - RAP36805

STRAIGHT-ACTING JACK, FIXED

**10,000 # CAPACITY; 2.750" ROD DIAMETER; 21.00" STROKE; BOLT-ON FOOT
USED ON FIFTH WHEEL COACHES**



ITEM	PART	QTY	DESCRIPTION
	RAP36805		JACK 10,000 # X 21" FIXED (REPLACES AP36805 / RAP92003)
1	R1905	1	SPRING KIT 2-3/4" X 22.00"
		2	SPRING 2-3/4" X 22.00"
2	RAP1008	1	SWITCH WARNING 2-WIRE
3	RF6966	1	MALE TEE 1/8" X 1/4" X 1/4"

ITEM	PART	QTY	DESCRIPTION
4	RAP45550	1	FOOT 11.40" ROUND (INCLUDES ITEM 7) (REPLACES RAP92632)
			10" SQUARE FOOT NO LONGER AVAILABLE
5	RAP0271	1	STOP ROD
6	RAP0281	1	RETAINING PIN
7	RAP92467	1	SPHERE & STUD KIT FOR FOOT

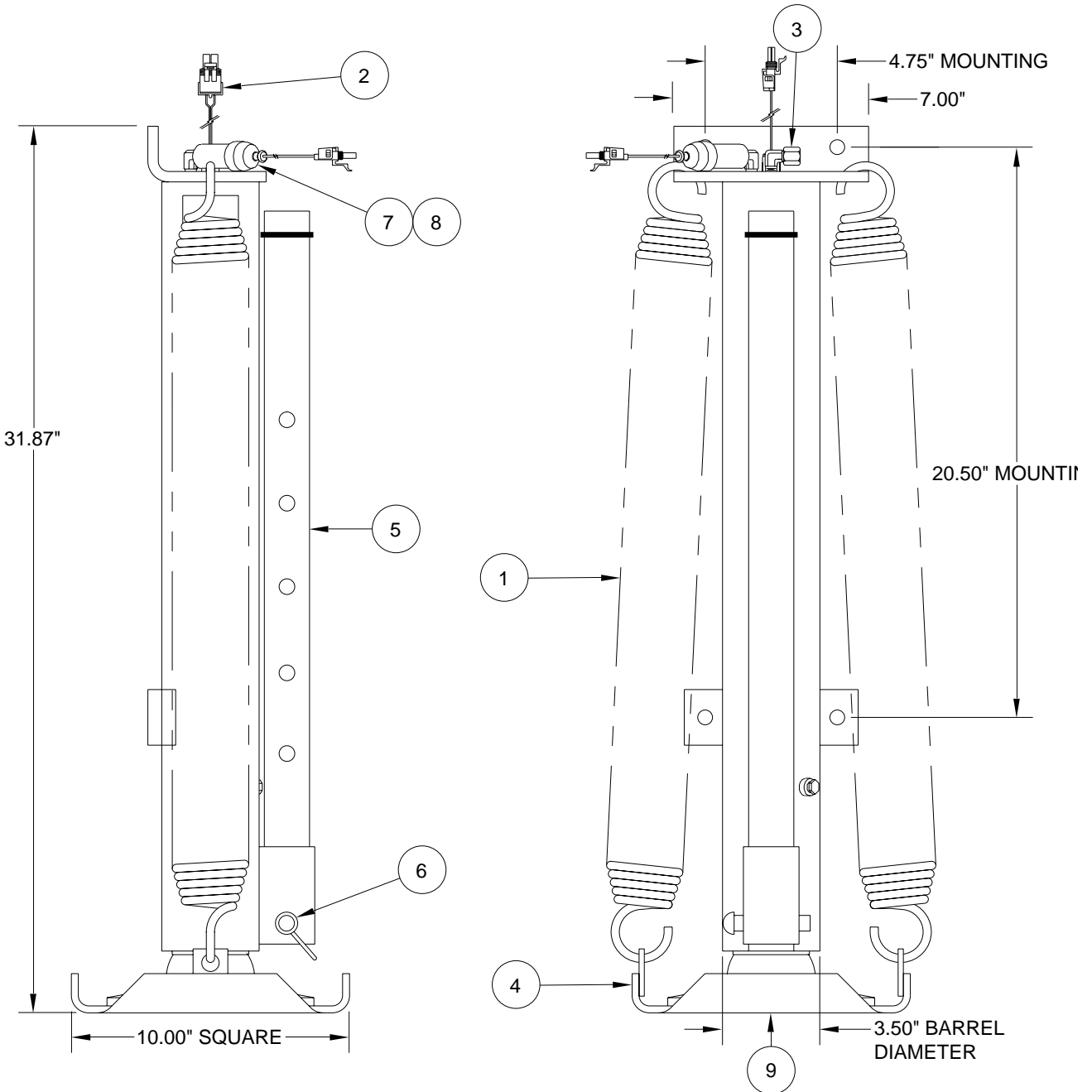
NOTE: INDENTED ITEMS ARE INCLUDED WITH PRECEDING ITEM.

**MR25.4215
09OCT20**

AP36806 - RAP36806

STRAIGHT-ACTING JACK, FIXED

10,000 # CAPACITY; 2.750" ROD DIAMETER; 21.00" STROKE; BOLT-ON FOOT
USED ON FIFTH WHEEL COACHES



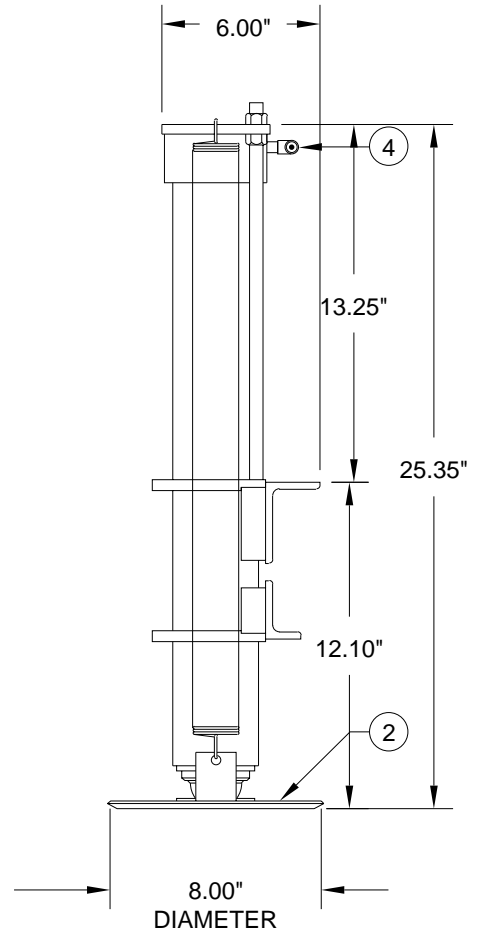
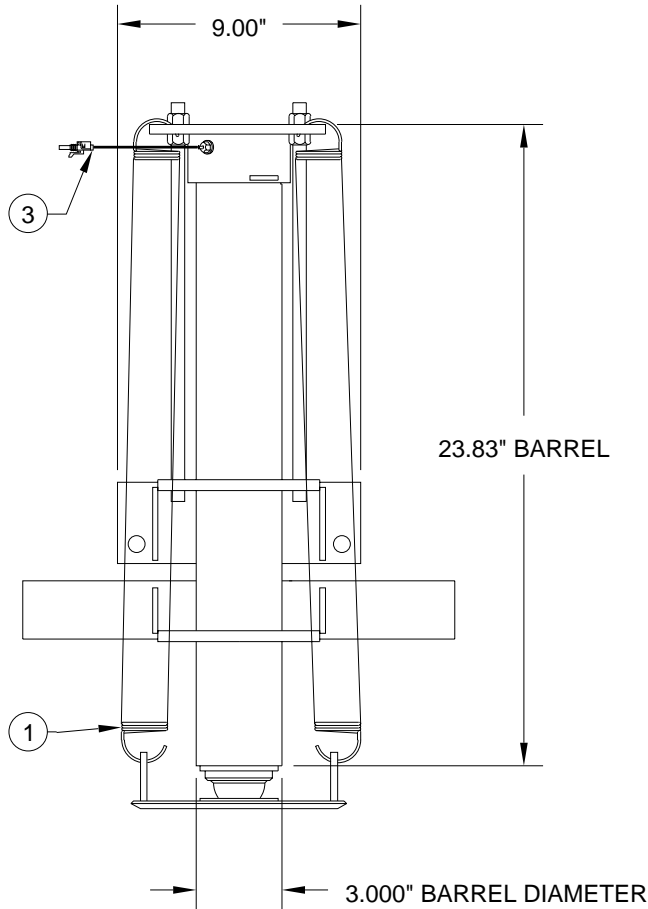
ITEM	PART	QTY	DESCRIPTION
	RAP36806		JACK 10,000 # X 21" FIXED (REPLACES AP36806 / RAP91921)
1	R1905	1	SPRING KIT 2-3/4" X 22.00"
		2	SPRING 2-3/4" X 22.00"
2	RAP1008	1	SWITCH WARNING 2-WIRE
3	RF1453	1	ELBOW 1/8" X 1/4"

ITEM	PART	QTY	DESCRIPTION
4	RAP45550		FOOT 11.40" ROUND (INCLUDES ITEM 9) (REPLACES RAP92632)
			10" SQUARE FOOT NO LONGER AVAILABLE
5	RAP0271	1	STOP ROD
6	RAP0281	1	RETAINING PIN
7	RF8143	1	ELBOW 1/8" X 1/8"
8	RAP8003	1	SWITCH PRESSURE
9	RAP92467	1	SPHERE & STUD KIT FOR FOOT

NOTE: INDENTED ITEMS ARE INCLUDED WITH PRECEDING ITEM.

MR25.4215A
12OCT20

**AP3897 - RAP3897 - STRAIGHT - ACTING JACK, FIXED
12,000 # CAPACITY; 2.375" ROD DIAMETER; 16.00" STROKE
WITH LOW MOUNTING BRACKET; FRONT
USED ON 1985 E.I.I. COACHES WITH CHEVY CHASSIS**



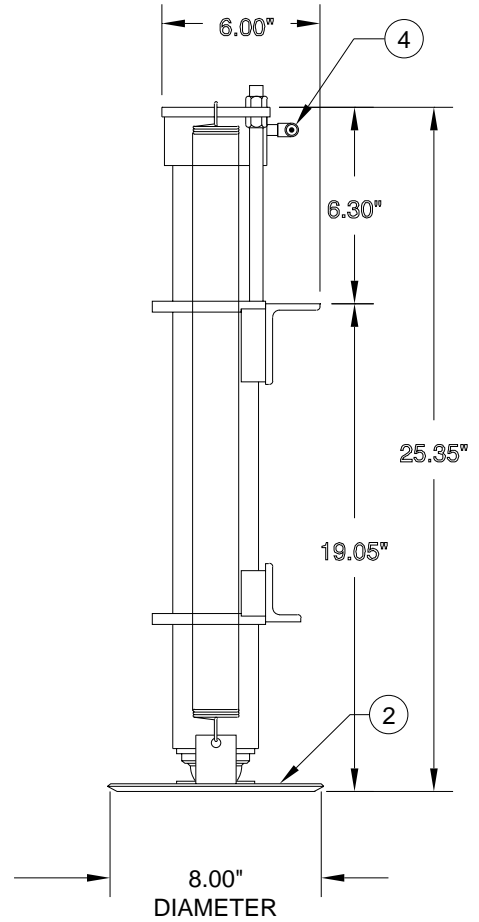
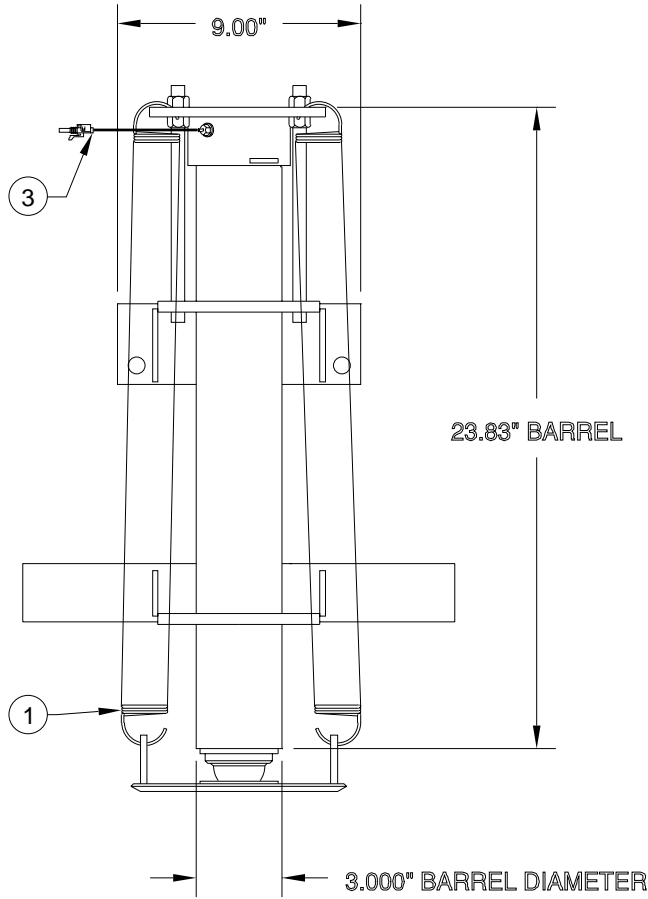
ITEM	PART	QTY	DESCRIPTION
	RAP3897		JACK 12,000 # X 16" FIXED LOW MOUNTING BRACKET (REPLACES AP3897)
1	R3848	1	SPRING KIT 1-11/16" X 18"
		2	SPRING 1-11/16" X 18"

ITEM	PART	QTY	DESCRIPTION
2	RAP17525	1	8.00" DIAMETER FOOT (REPLACES RAP3895 / RAP8464 FOOT)
3	RAP5027	1	SWITCH WARNING SIDE PORT
4	RF3968	1	ELBOW 3/8" X 1/4"

NOTE: INDENTED ITEMS ARE INCLUDED WITH PRECEDING ITEM.

**MR25.5010
12OCT20**

AP4154 - STRAIGHT - ACTING JACK, FIXED
12,000 # CAPACITY; 2.375" ROD DIAMETER; 16.00" STROKE
WITH HIGH MOUNTING BRACKET; FRONT
USED ON 1985 E.I.I.COACHES WITH GILLIG CHASSIS



ITEM	PART	QTY	DESCRIPTION
	RAP4154		JACK 12,000 # X 16" FIXED HIGH MOUNTING BRACKET (REPLACES AP4154)
1	R3848	1	SPRING KIT 1-11/16" X 18"
		2	SPRING 1-11/16" X 18"

ITEM	PART	QTY	DESCRIPTION
2	RAP8464	1	8.00" DIAMETER FOOT (REPLACES RAP3895 FOOT)
3	RAP5027	1	SWITCH WARNING SIDE PORT
4	RF3968	1	ELBOW 3/8" X 1/4"

NOTE: INDENTED ITEMS ARE INCLUDED WITH PRECEDING ITEM.

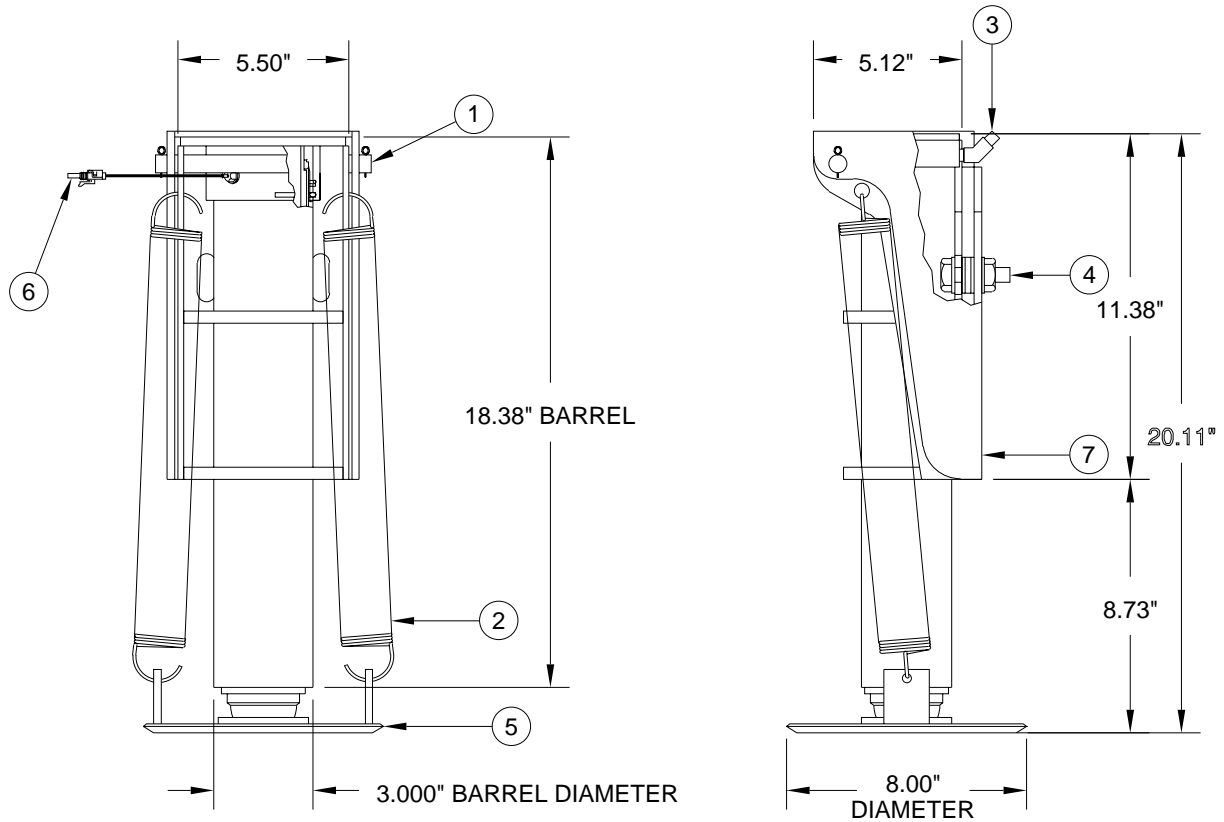
MR25.5015
06MAY97

AP3898 - RAP3898 - STRAIGHT - ACTING JACK, FIXED

12,000 # CAPACITY; 2.375" ROD DIAMETER; 13.25" STROKE

MOUNTING BRACKET; REAR

USED PRIMARILY ON 1985 E.I.I. COACHES, MANUFACTURING ENDING IN 1985



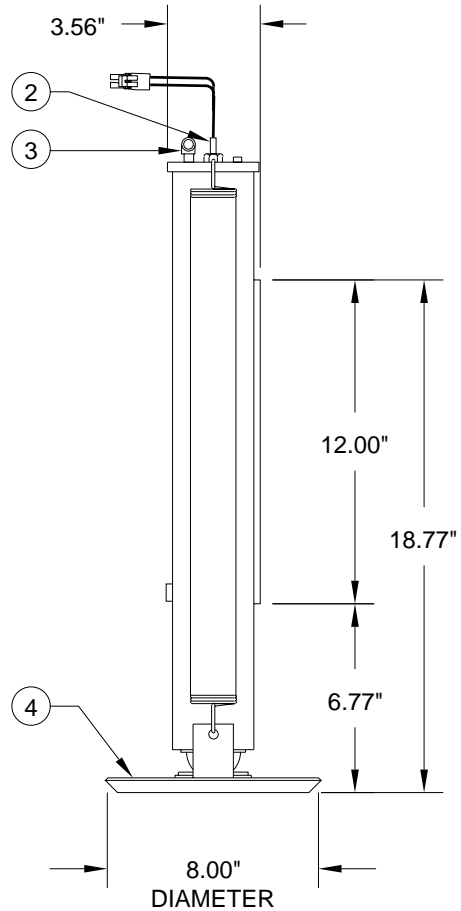
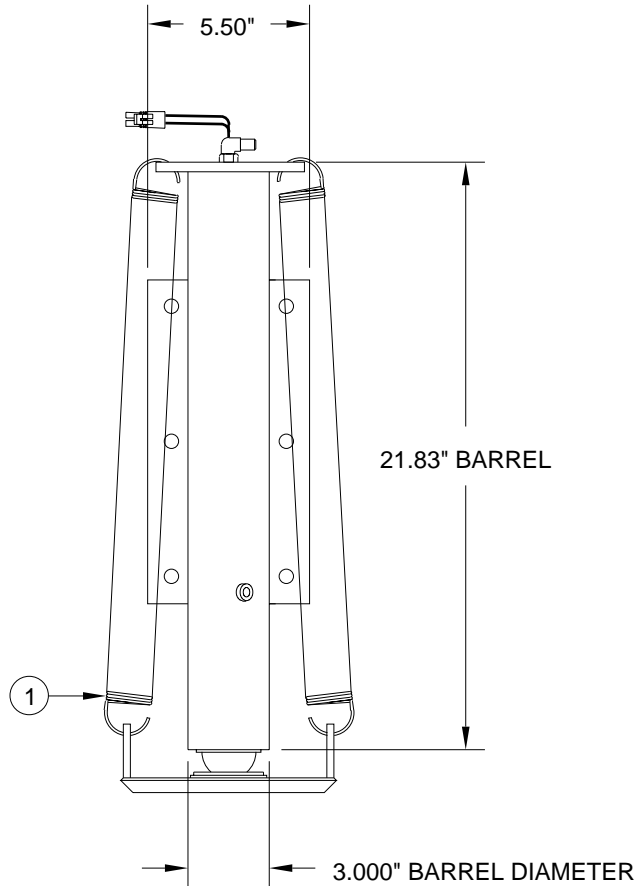
ITEM	PART	QTY	DESCRIPTION
	RAP3898		JACK 12,000 # X 13.25" (REPLACES AP3898)
1	R3882	1	PIVOT PIN KIT
		1	PIVOT ROD
		2	COTTER PIN 3/16" X 1"
2	R3847	1	SPRING KIT 1-11/16" X 14"
		2	SPRING 1-11/16" X 14"
3	RF3969	1	ELBOW 45 DEGREE 1/8" X 1/4"

ITEM	PART	QTY	DESCRIPTION
4	R4028	1	STOP KIT HEX 1/2-13
		2	SHCS 1/2-13 X 2-1/4" PLD
		2	LOCK NUT FLANGED 1/2-13
		2	WASHER STRUCTURAL 1/2"
		2	BUSHING NEOPRENE
		4	WASHER COMMON 1/2"
5	RAP17525	1	8.00" DIAMETER FOOT (REPLACES RAP8464 FOOT)
6	RAP5027	1	SWITCH WARNING SIDE PORT
7	RAP3839	1	PIVOT BRACKET

NOTE: INDENTED ITEMS ARE INCLUDED WITH PRECEDING ITEM.

MR25.5020
12OCT20

AP9810 - RAP9810
STRAIGHT-ACTING JACK, FIXED
12,000 # CAPACITY; 2.375" ROD DIAMETER; 16.00" STROKE



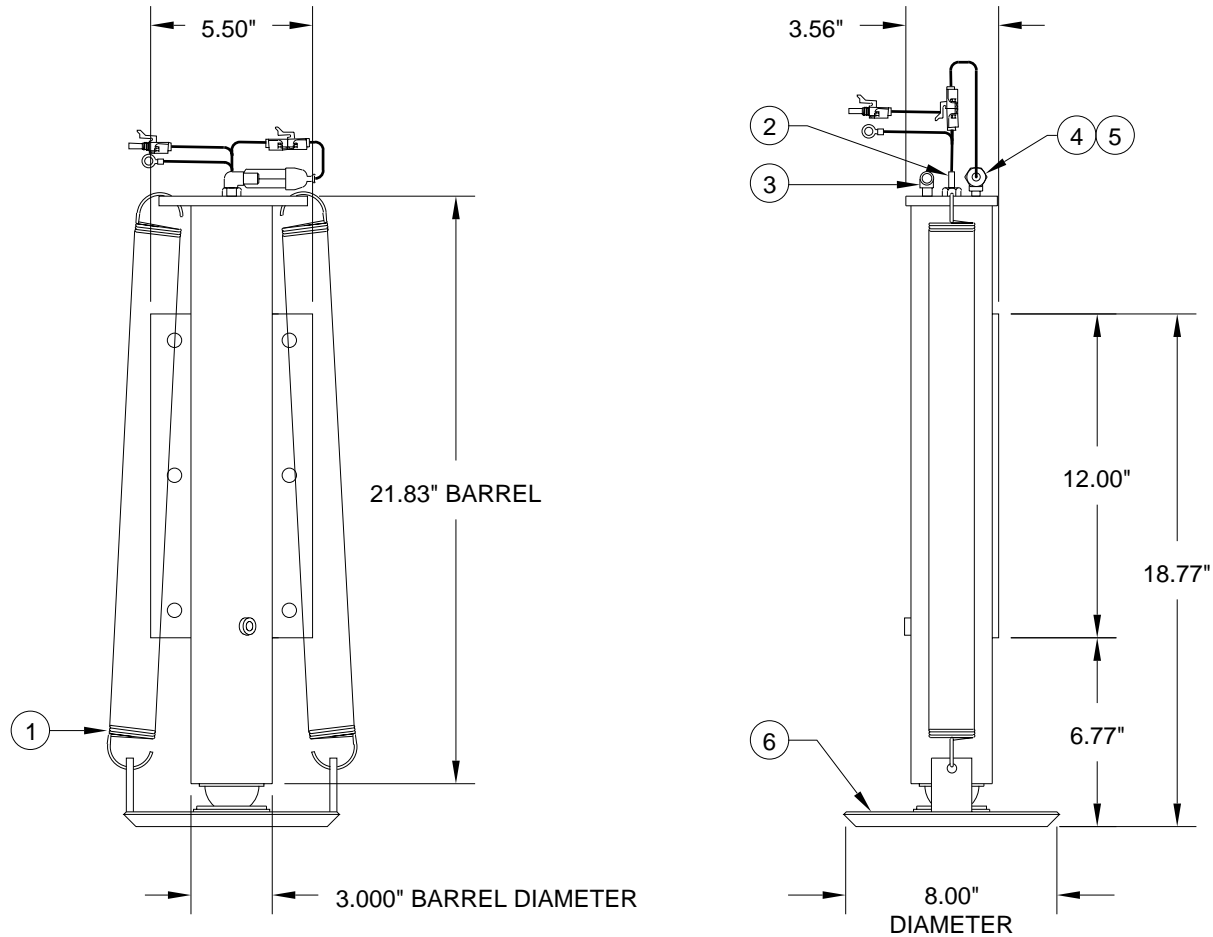
ITEM	PART	QTY	DESCRIPTION
	RAP9810		JACK 12,000 # X 16" FIXED (REPLACES AP9810)
1	R38956	1	SPRING KIT 0.218" X 17.5"
		2	SPRING 0.218" X 17.5"

ITEM	PART	QTY	DESCRIPTION
2	RAP1008	1	SWITCH WARNING 2-WIRE
3	RF1453	1	ELBOW 1/8" X 1/4"
4	RAP17525	1	8.00" DIAMETER FOOT (REPLACES RAP8464)

NOTE: INDENTED ITEMS ARE INCLUDED WITH PRECEDING ITEM.

MR25.5100
12OCT20

AP9513 - RAP9513
STRAIGHT - ACTING JACK, FIXED
12,000 # CAPACITY; 2.375" ROD DIAMETER; 16.00" STROKE
WITH PRESSURE SWITCH AND 3-WIRE WARNING SWITCH



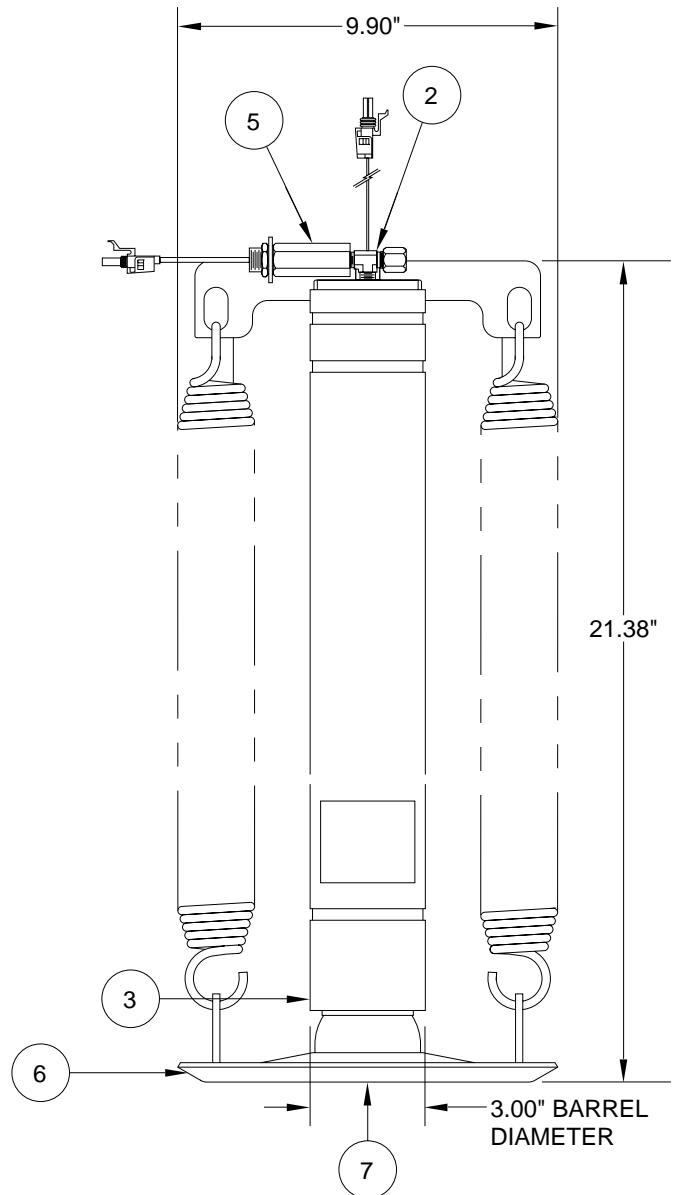
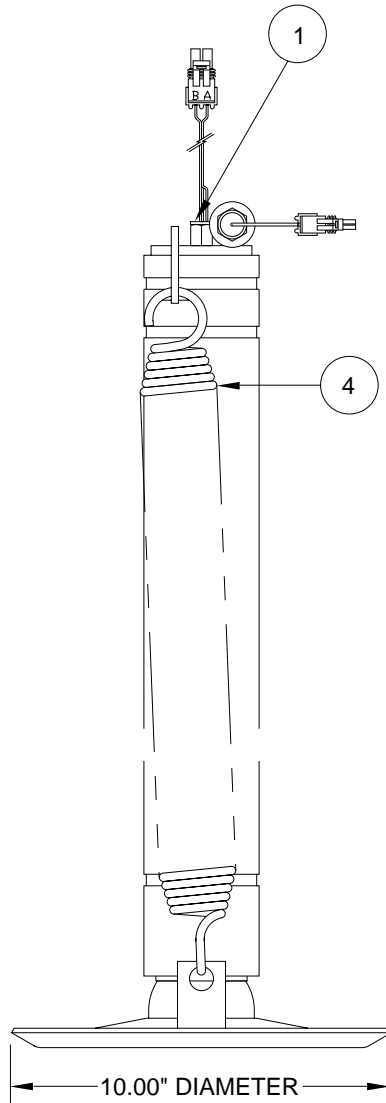
ITEM	PART	QTY	DESCRIPTION
	RAP9513		JACK 12,000 # X 16" FIXED (REPLACES AP9513)
1	R38956	1	SPRING KIT 0.218" X 17.5"
		2	SPRING 0.218" X 17.5"
2	RAP90073	1	SWITCH WARNING 3-WIRE

ITEM	PART	QTY	DESCRIPTION
3	RF1453	1	ELBOW 1/8" X 1/4"
4	RF8143	1	ELBOW 1/8" X 1/4"
5	RAP8003	1	SWITCH PRESSURE
6	RAP17525	1	8.00" DIAMETER FOOT (REPLACES RAP8464)

NOTE: INDENTED ITEMS ARE INCLUDED WITH PRECEDING ITEM.

MR25.5110
13OCT20

AP49471 - RAP49471
STRAIGHT - ACTING JACK, FIXED
12,000 # CAPACITY; 2.375" ROD DIAMETER; 13.00" STROKE; BOLT-ON FOOT
WITH MAGNETIC WARNING SWITCH AND PRESSURE SWITCH



ITEM	PART	QTY	DESCRIPTION
	RAP49471		JACK 12,000 # X 13" FIXED (REPLACES AP49471 / RX93489)
1	RAP26641	1	SWITCH WARNING MAGNETIC GRAY
2	RF0734	1	MALE TEE SPECIAL
3	RAP45577	1	CYL. ASSY. 2.375" x 13" (INCLUDES ITEM 2 ONLY) (REPLACES RAP92732)

ITEM	PART	QTY	DESCRIPTION
4	R34692	1	SPRING KIT .2187" X 14.5"
		2	SPRING .2187" X 14.5"
5	RAP8003	1	SWITCH PRESSURE
6	RAP40260	1	FOOT 10.00" DIAMETER (INCLUDES ITEM 7) (REPLACES RAP92281)
7	RAP92466	1	SPHERE & STUD KIT FOR FOOT

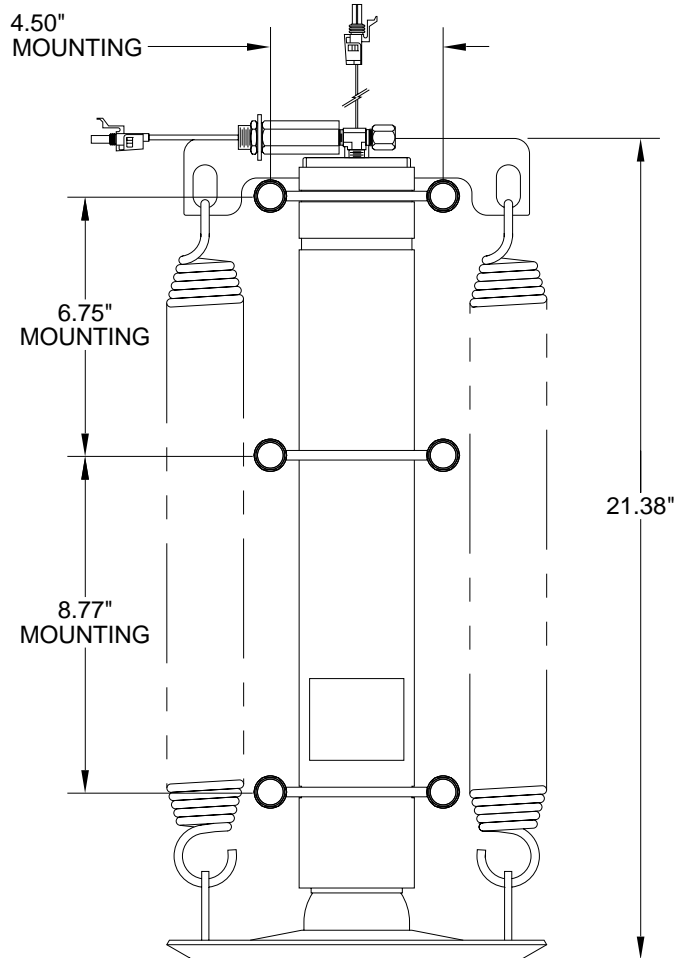
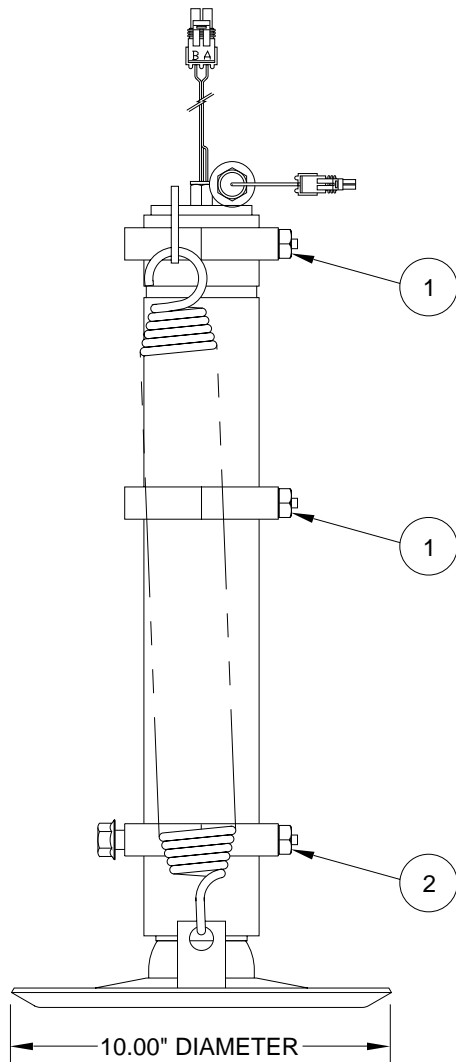
NOTE: INDENTED ITEMS ARE INCLUDED WITH PRECEDING ITEM.

MR25.5115
19OCT20

AP45650

STRAIGHT-ACTING JACK, FIXED - OBSOLETE

12,000 # CAPACITY; 2.375" ROD DIAMETER; 13.00" STROKE; BOLT-ON FOOT



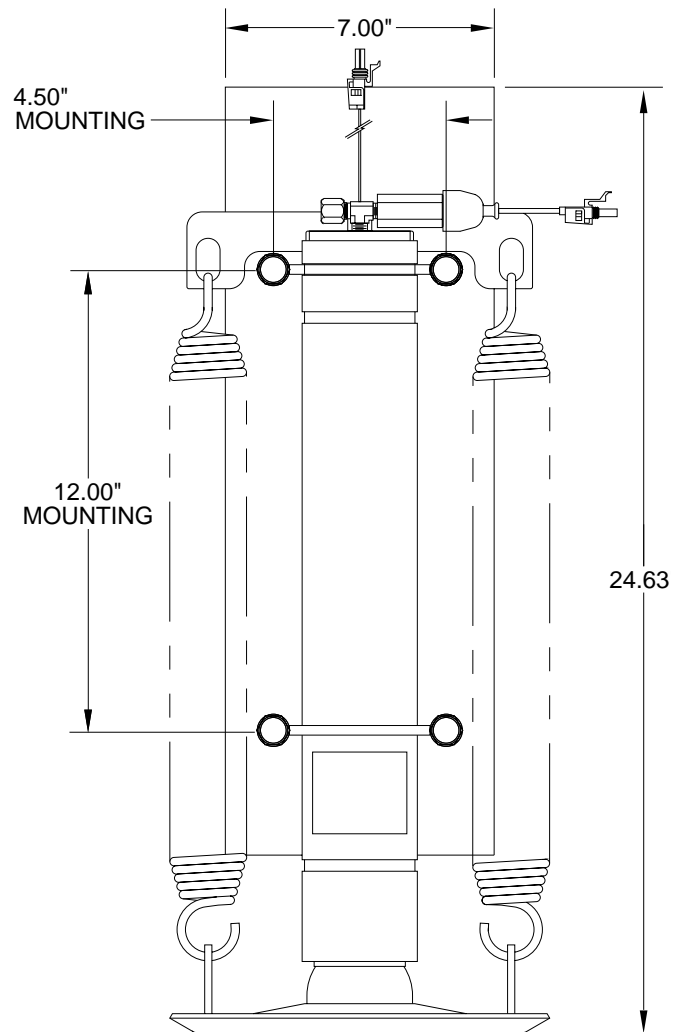
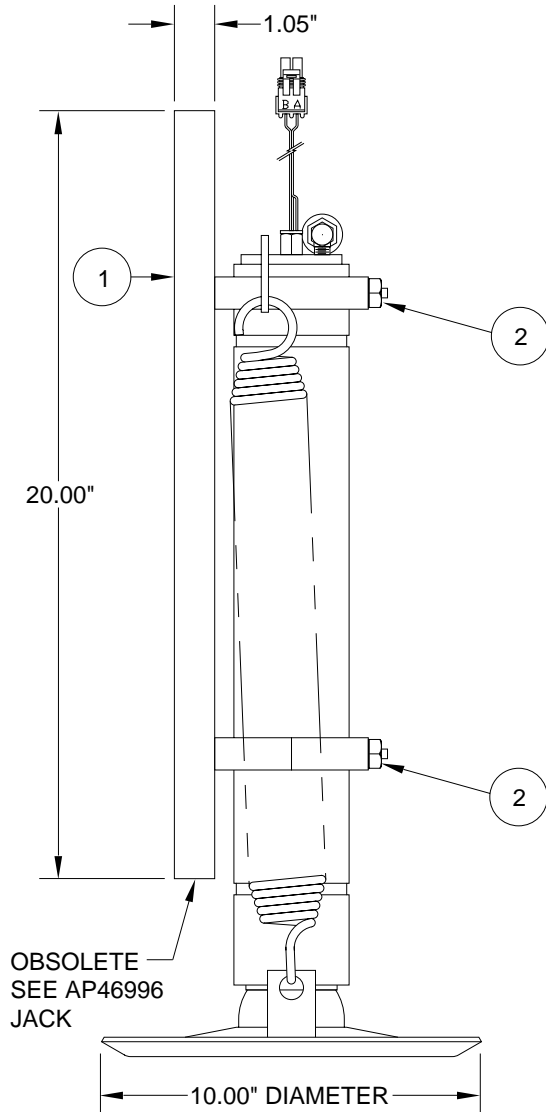
ITEM	PART	QTY	DESCRIPTION
			FOR CYLINDER, SPRING, SWITCH, AND FOOT INFORMATION SEE AP49471
	RX92730		JACK - OBSOLETE SEE RAP51779 (REPLACES AP45650)

ITEM	PART	QTY	DESCRIPTION
1	RAP93115	1	CLAMP KIT WELD ON INCLUDES INNER CLAMPS, OUTER CLAMPS, AND HARDWARE. DOES NOT INCLUDE ITEM #2.
2	RAP93117	1	CROSSTIE CLAMP KIT INCLUDES INNER CLAMP, OUTER CLAMP, ANGLE BRACKET AND HARDWARE.

NOTE: INDENTED ITEMS ARE INCLUDED WITH PRECEDING ITEM.

MR25.5115A
17DEC20

AP46995 - STRAIGHT-ACTING JACK, FIXED - OBSOLETE
12,000 # CAPACITY; 2.375" ROD DIAMETER; 13.00" STROKE; BOLT-ON FOOT
WITH MAGNETIC WARNING SWITCH AND PRESSURE SWITCH



ITEM	PART	QTY	DESCRIPTION
			FOR CYLINDER, SPRING, SWITCH, AND FOOT INFORMATION SEE AP49471
	N/A		JACK - OBSOLETE SEE RAP46996 (REPLACES AP46995)

ITEM	PART	QTY	DESCRIPTION
1	RAP49163	1	MOUNTING BRACKET ASSEMBLY. REPLACES OBS. AP46994 BRACKET INCLUDES OUTER CLAMPS AND HARDWARE.
2	RAP93115	1	CLAMP KIT WELD ON INCLUDES INNER CLAMPS, OUTER CLAMPS, AND HARDWARE.

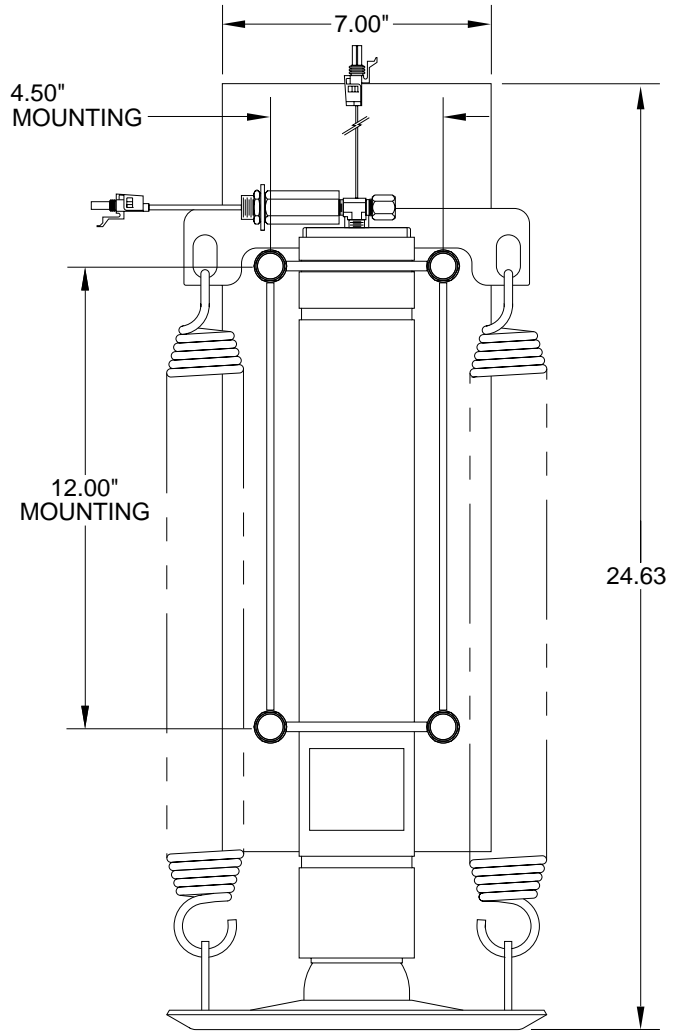
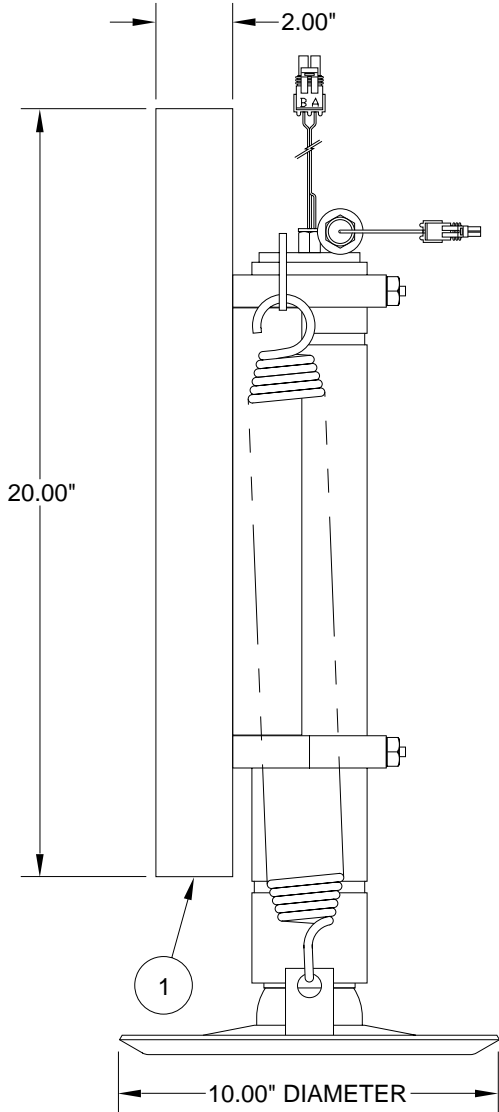
NOTE: INDENTED ITEMS ARE INCLUDED WITH PRECEDING ITEM.

MR25.5115B
17DEC20

AP46996 - RAP46996

STRAIGHT-ACTING JACK, FIXED

12,000 # CAPACITY; 2.375" ROD DIAMETER; 13.00" STROKE; BOLT-ON FOOT WITH MAGNETIC WARNING SWITCH AND PRESSURE SWITCH



ITEM	PART	QTY	DESCRIPTION
			FOR CYLINDER, SPRING, SWITCH, AND FOOT INFORMATION SEE AP49471
	RAP46996		JACK 12,000 # X 13" FIXED (REPLACES AP46996)

ITEM	PART	QTY	DESCRIPTION
1	RAP49163	1	MOUNTING BRACKET ASSEMBLY. INCLUDES CHANNEL, INNER CLAMP WELDMENT, AND OUTER CLAMPS WITH HARDWARE. (REPLACES RAP93047)

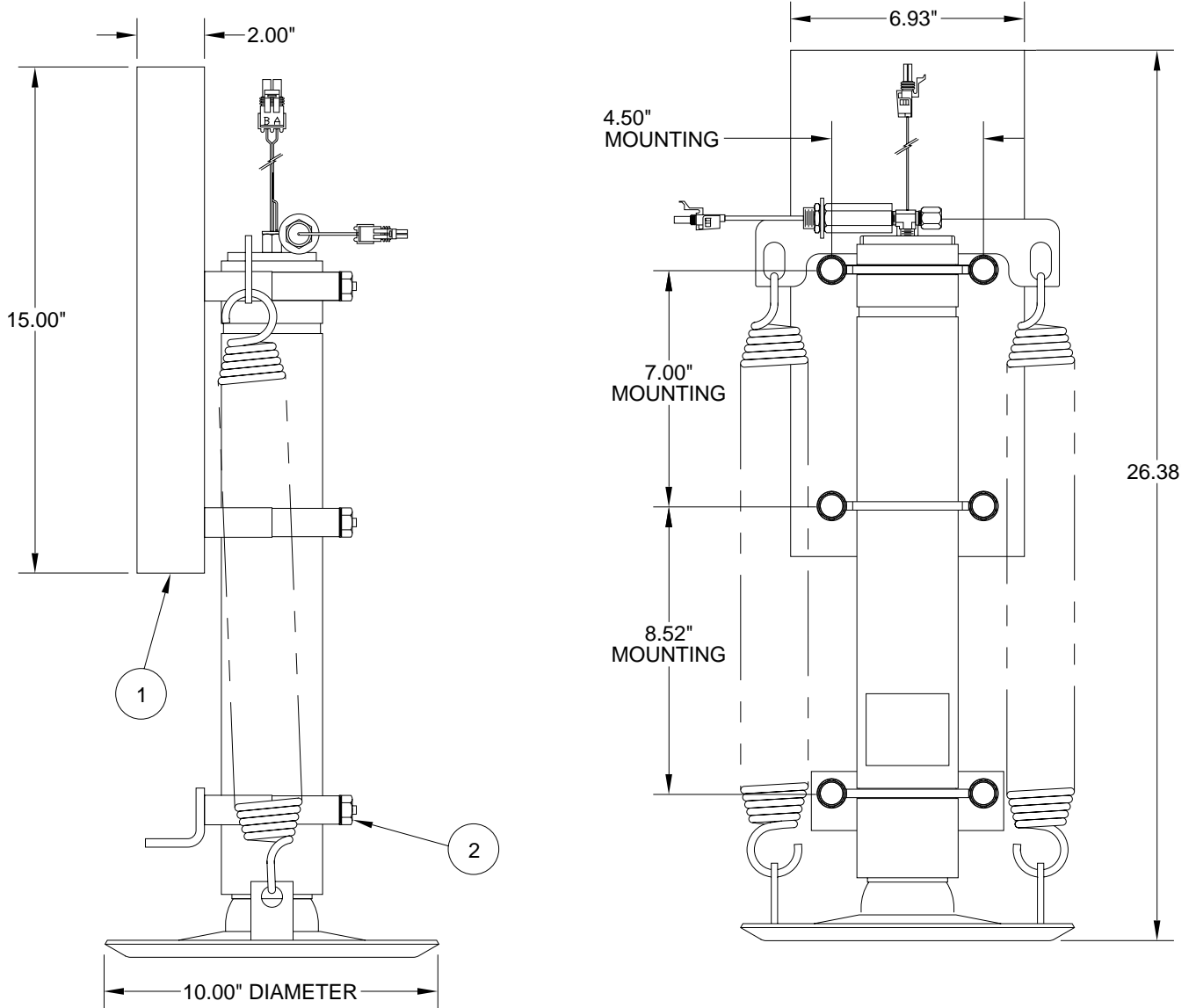
NOTE: INDENTED ITEMS ARE INCLUDED WITH PRECEDING ITEM.

**MR25.5115C
17DEC20**

AP49515 - RAP49515

STRAIGHT-ACTING JACK, FIXED

12,000 # CAPACITY; 2.375" ROD DIAMETER; 13.00" STROKE; BOLT-ON FOOT WITH MAGNETIC WARNING SWITCH AND PRESSURE SWITCH



ITEM	PART	QTY	DESCRIPTION
			FOR CYLINDER, SPRING, SWITCH, AND FOOT INFORMATION SEE AP49471
	RAP49515		JACK 12,000 # X 13" FIXED (REPLACES AP49515)

ITEM	PART	QTY	DESCRIPTION
1	RAP49381	1	MOUNTING BRACKET ASSEMBLY. INCLUDES OUTER CLAMPS AND HARDWARE. DOES NOT INCLUDE ITEM #2. (REPLACES RAP93048)
2	RAP93117	1	CROSSTIE CLAMP KIT INCLUDES INNER CLAMP, OUTER CLAMP, ANGLE BRACKET AND HARDWARE.

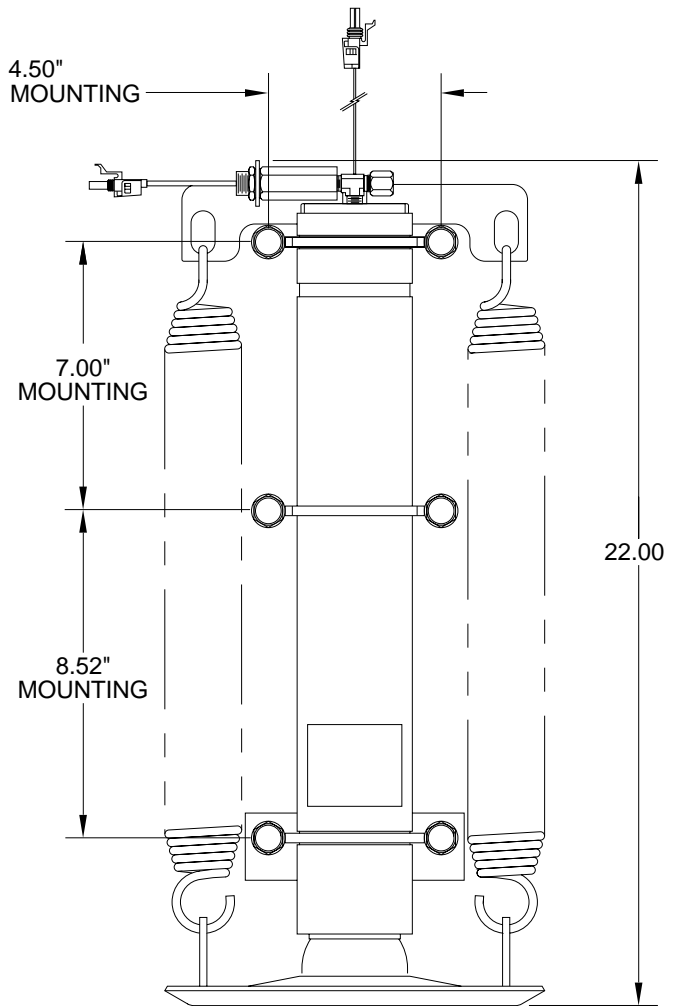
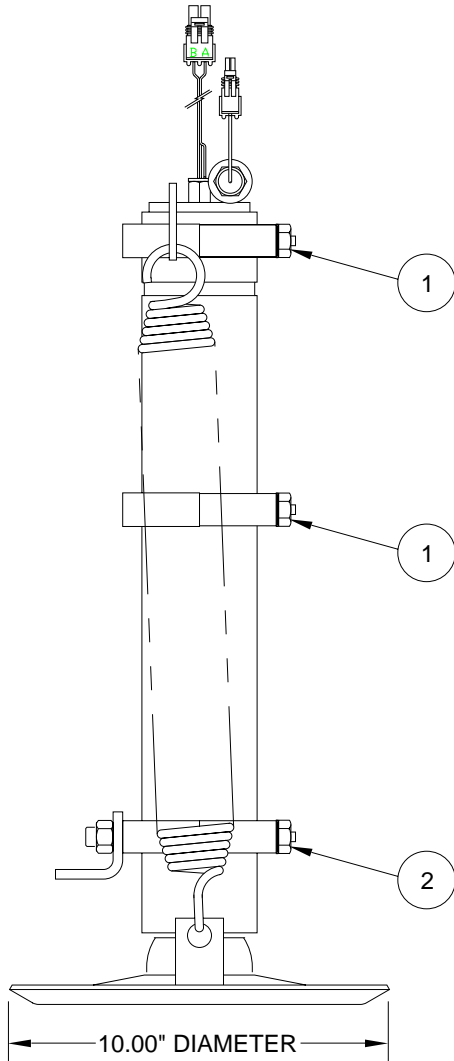
NOTE: INDENTED ITEMS ARE INCLUDED WITH PRECEDING ITEM.

MR25.5115D
17DEC20

AP51779 - RAP51779

STRAIGHT-ACTING JACK, FIXED

12,000 # CAPACITY; 2.375" ROD DIAMETER; 13.00" STROKE; BOLT-ON FOOT WITH MAGNETIC WARNING SWITCH AND PRESSURE SWITCH



ITEM	PART	QTY	DESCRIPTION
			FOR CYLINDER, SPRING, SWITCH, AND FOOT INFORMATION SEE AP49471
	RAP51779		JACK 12,000 # X 13" FIXED (REPLACES AP51779)

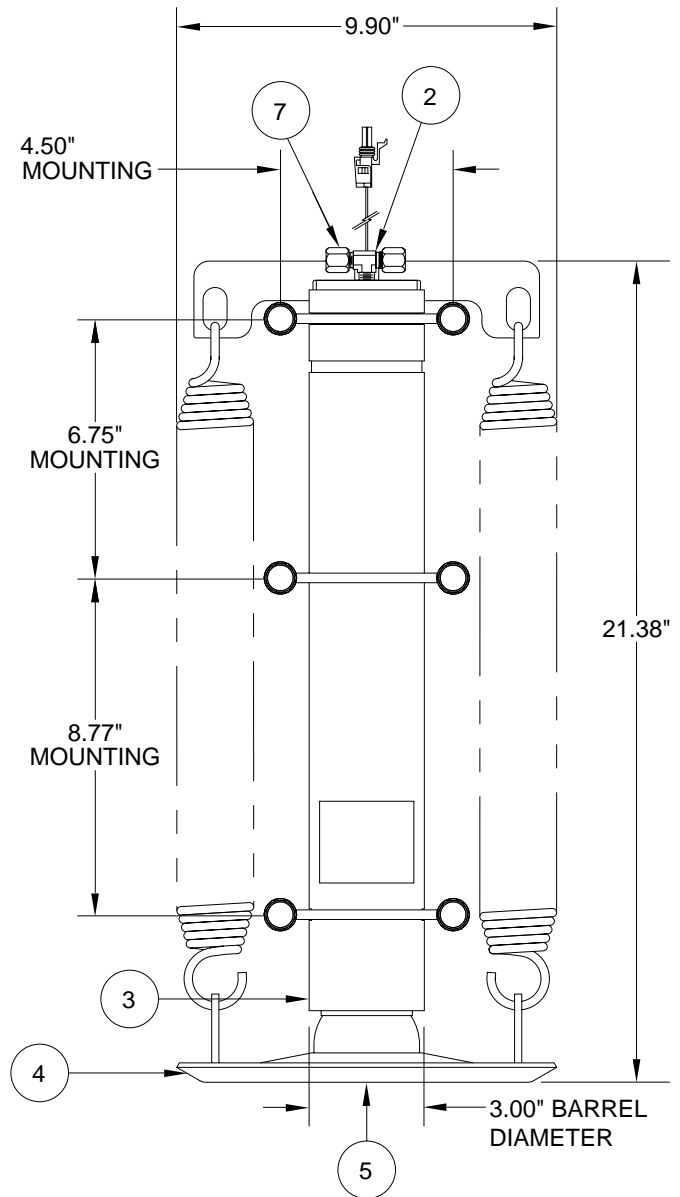
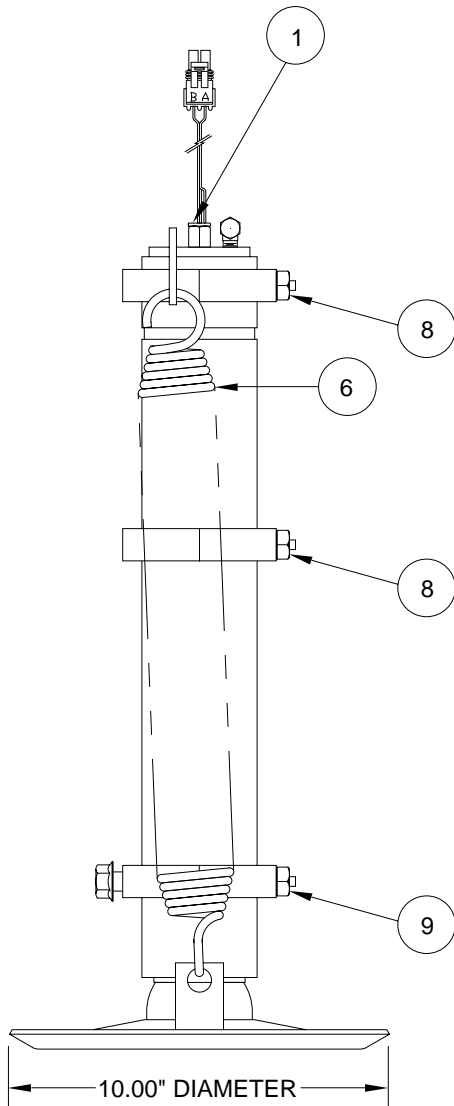
ITEM	PART	QTY	DESCRIPTION
1	RAP93115	1	CLAMP KIT WELD ON INCLUDES INNER CLAMPS, OUTER CLAMPS, AND HARDWARE. DOES NOT INCLUDE ITEM #2.
2	RAP93117	1	CROSSTIE CLAMP KIT INCLUDES INNER CLAMP, OUTER CLAMP, ANGLE BRACKET AND HARDWARE.

NOTE: INDENTED ITEMS ARE INCLUDED WITH PRECEDING ITEM.

**MR25.5115E
17DEC20**

AP46748 - STRAIGHT-ACTING JACK, FIXED

12,000 # CAPACITY; 2.375" ROD DIAMETER; 13.00" STROKE; BOLT-ON FOOT WITH MAGNETIC WARNING SWITCH



ITEM	PART	QTY	DESCRIPTION
	RX92731		JACK 12,000 # X 13" FIXED (REPLACES AP46748)
1	RAP26641	1	SWITCH WARNING MAGNETIC GRAY
2	RF0734	1	MALE TEE SPECIAL
3	RAP92732	1	CYL. ASSY. 2.375" x 13" (INCLUDES ITEMS 2 & 7 ONLY)
4	RAP92281	1	FOOT 10.00" DIAMETER (INCLUDES ITEM 5)
5	RAP92466	1	SPHERE & STUD KIT FOR FOOT

ITEM	PART	QTY	DESCRIPTION
6	R34692	1	SPRING KIT .2187" X 14.5"
		2	SPRING .2187" X 14.5"
7	RF44854	1	1/8" - 27 HEX PIPE CAP
8	RAP93048	1	MOUNTING BRACKET ASSEMBLY. INCLUDES OUTER CLAMPS AND HARDWARE. DOES NOT INCLUDE ITEM #9.
9	RAP93117	1	CROSSTIE CLAMP KIT INCLUDES INNER CLAMP, OUTER CLAMP, ANGLE BRACKET AND HARDWARE.

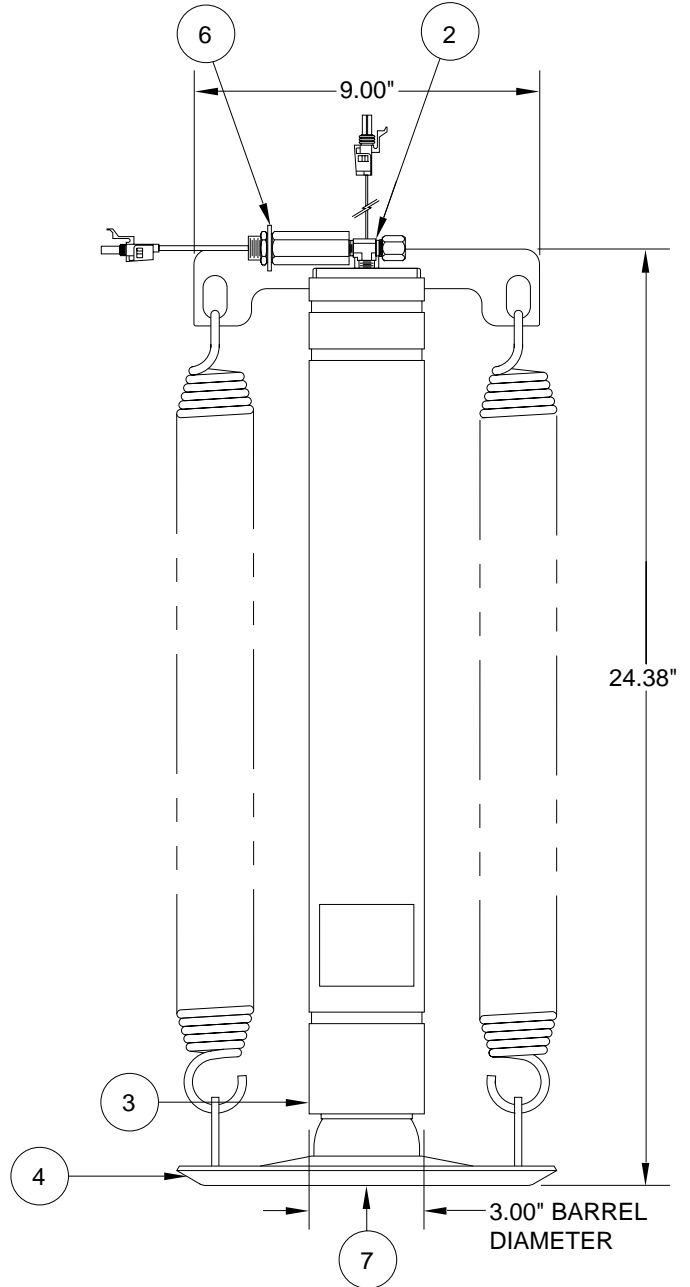
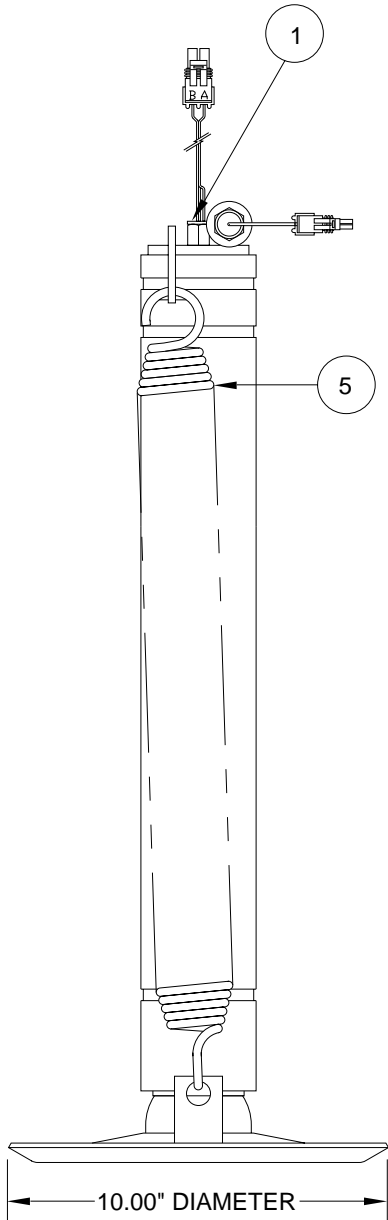
MR25.5116
27APR20

NOTE: INDENTED ITEMS ARE INCLUDED WITH PRECEDING ITEM.

AP49472 - RAP49472

STRAIGHT-ACTING JACK, FIXED

12,000 # CAPACITY; 2.375" ROD DIAMETER; 16.00" STROKE; BOLT-ON FOOT
WITH MAGNETIC WARNING SWITCH AND PRESSURE SWITCH



ITEM	PART	QTY	DESCRIPTION
	RAP49472		JACK 12,000 # X 16" FIXED (REPLACES AP49472)
1	RAP26641	1	SWITCH WARNING MAGNETIC GRAY
2	RF0734	1	MALE TEE SPECIAL
3	RAP45610	1	CYL. ASSY. 2.375" x 16" (INCLUDES ITEM 2 ONLY) (REPLACES RAP93046)

ITEM	PART	QTY	DESCRIPTION
4	RAP40260	1	FOOT 10.00" DIAMETER (INCLUDES ITEM 7) (REPLACES RAP92281)
5	R38956	1	SPRING KIT .218" X 17.5"
		2	SPRING .218" X 17.5"
6	RAP8003	1	SWITCH PRESSURE
7	RAP92466	1	SPHERE & STUD KIT FOR FOOT

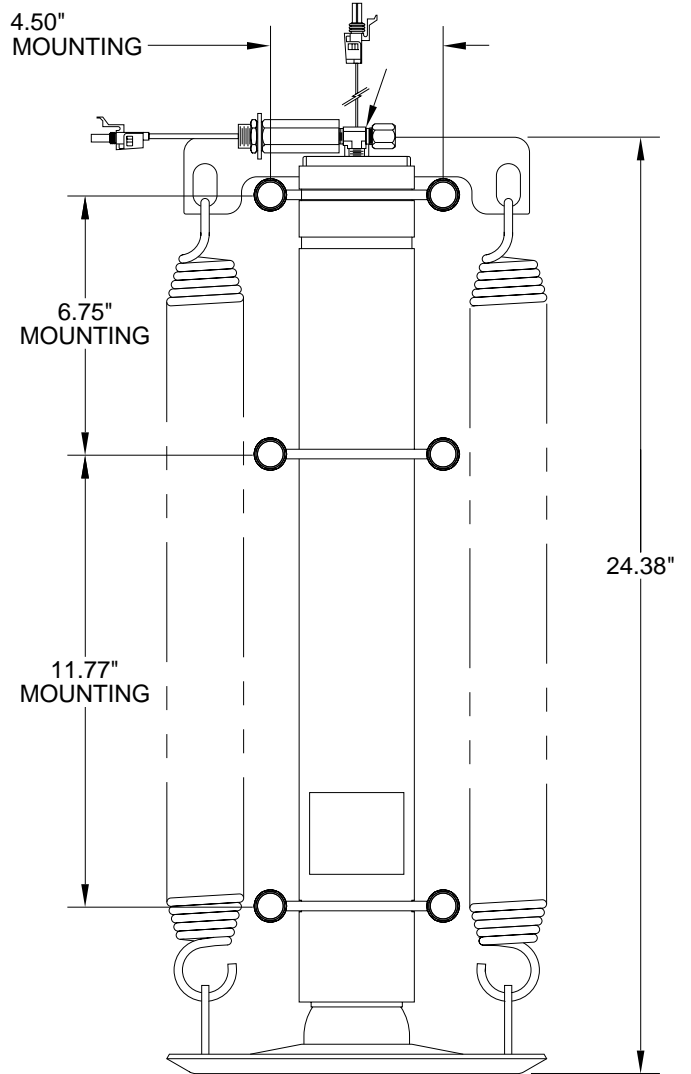
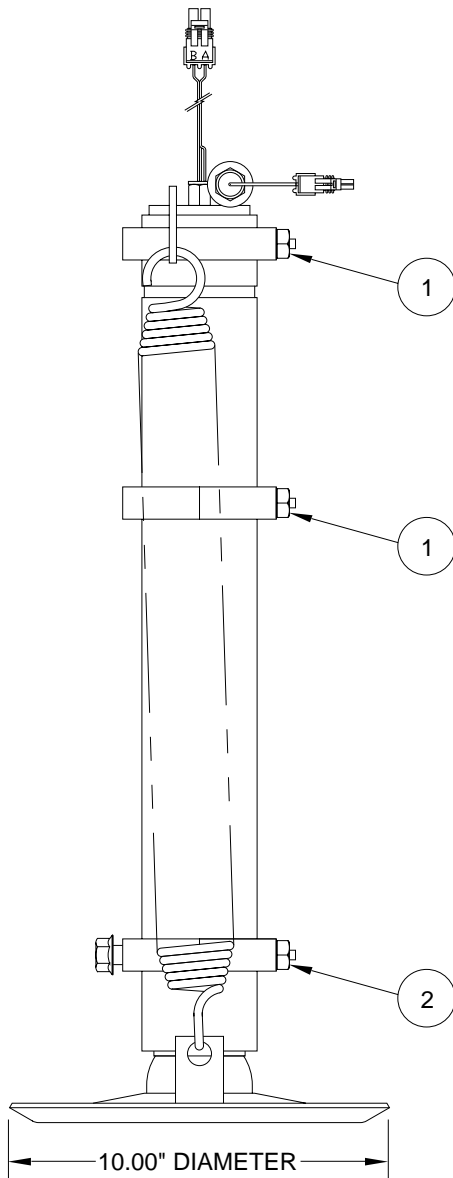
NOTE: INDENTED ITEMS ARE INCLUDED WITH PRECEDING ITEM.

MR25.5130
15OCT20

AP45649 - OBSOLETE

STRAIGHT-ACTING JACK, FIXED

12,000 # CAPACITY; 2.375" ROD DIAMETER; 16.00" STROKE; BOLT-ON FOOT WITH MAGNETIC WARNING SWITCH AND PRESSURE SWITCH



ITEM	PART	QTY	DESCRIPTION
			FOR CYLINDER, SPRING, SWITCH, AND FOOT INFORMATION SEE AP49472
	N/A		JACK - OBSOLETE SEE RAP51780 (REPLACES AP45649)
1	RAP93115	1	CLAMP KIT WELD ON INCLUDES INNER CLAMPS, OUTER CLAMPS, AND HARDWARE. DOES NOT INCLUDE ITEM #2.

ITEM	PART	QTY	DESCRIPTION
2	RAP93117	1	CROSSTIE CLAMP KIT INCLUDES INNER CLAMP, OUTER CLAMP, AND HARDWARE

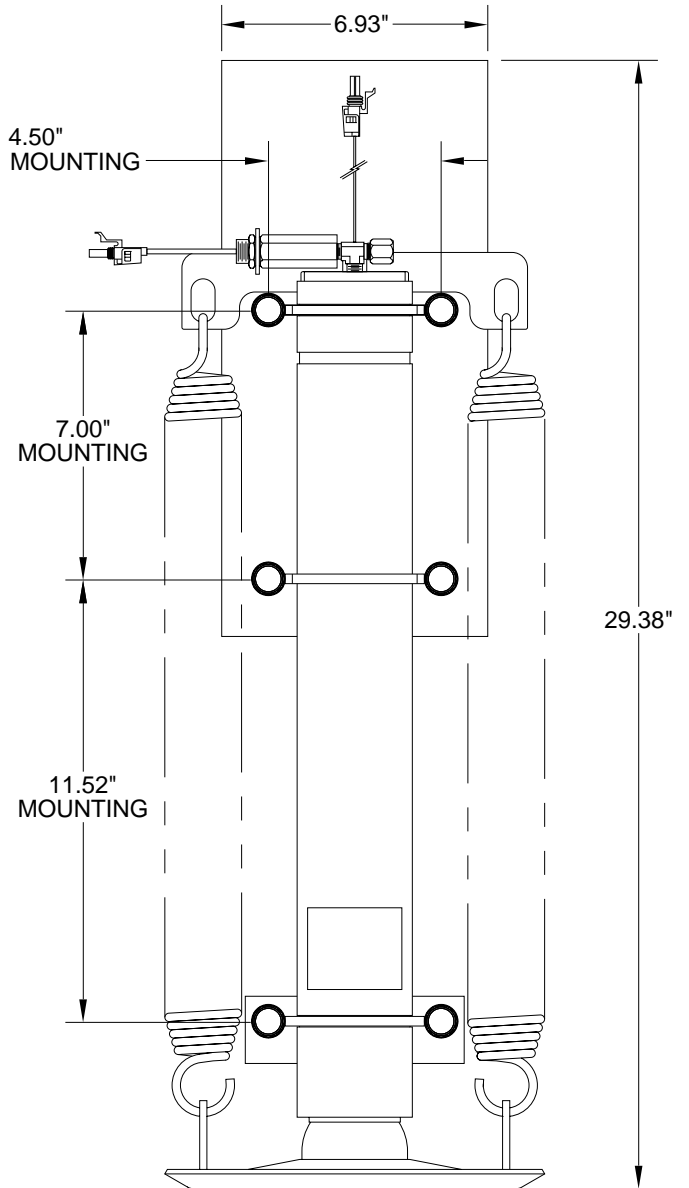
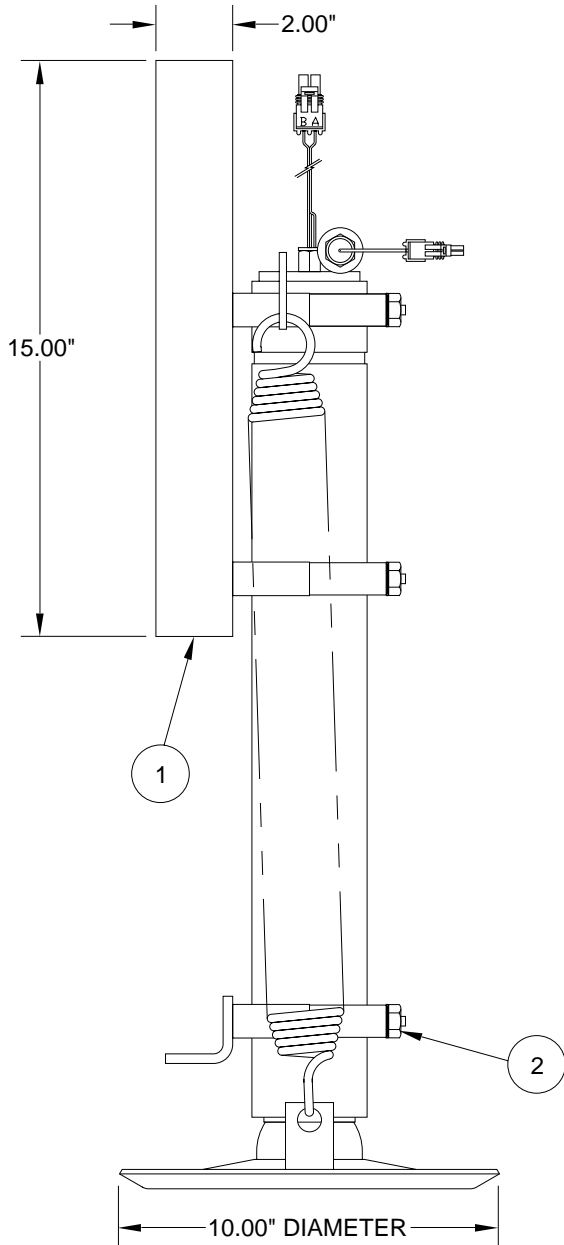
NOTE: INDENTED ITEMS ARE INCLUDED WITH PRECEDING ITEM.

**MR25.5130A
11NOV21**

AP49516 - RAP49516

STRAIGHT-ACTING JACK, FIXED

12,000 # CAPACITY; 2.375" ROD DIAMETER; 16.00" STROKE; BOLT-ON FOOT WITH MAGNETIC WARNING SWITCH AND PRESSURE SWITCH



ITEM	PART	QTY	DESCRIPTION
			FOR CYLINDER, SPRING, SWITCH, AND FOOT INFORMATION SEE AP49472
	RAP49516		JACK 12,000 # X 16" FIXED (REPLACES AP49516)

ITEM	PART	QTY	DESCRIPTION
1	RAP93048	1	MOUNTING BRACKET ASSEMBLY. INCLUDES OUTER CLAMPS AND HARDWARE. DOES NOT INCLUDE ITEM #2.
2	RAP93117	1	CROSSTIE CLAMP KIT INCLUDES INNER CLAMP, OUTER CLAMP, ANGLE BRACKET AND HARDWARE.

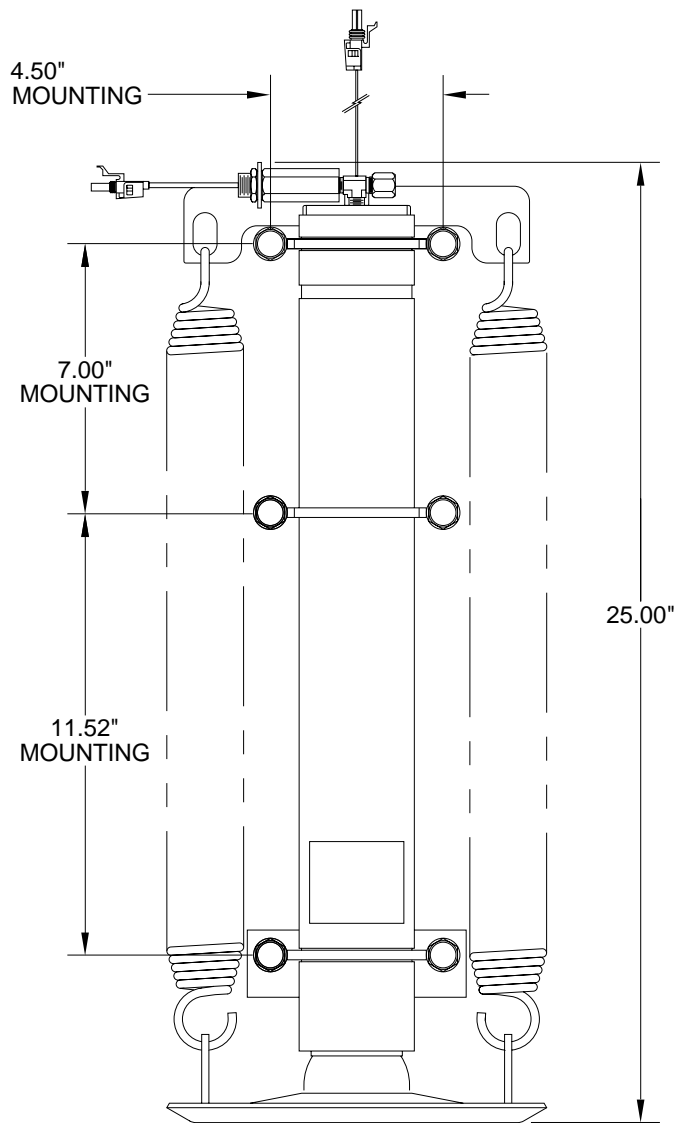
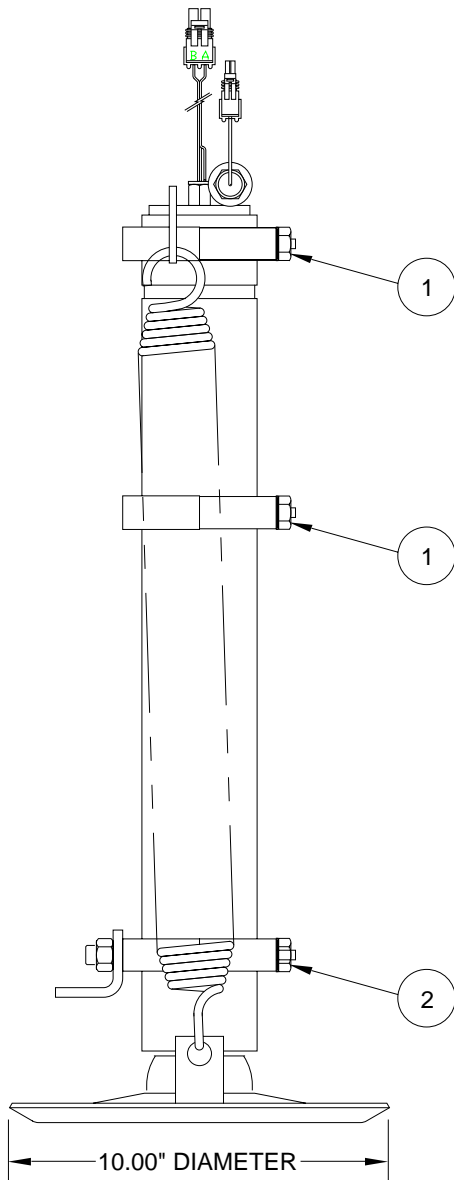
NOTE: INDENTED ITEMS ARE INCLUDED WITH PRECEDING ITEM.

MR25.5130B
15OCT20

AP51780 - RAP51780

STRAIGHT-ACTING JACK, FIXED

12,000 # CAPACITY; 2.375" ROD DIAMETER; 16.00" STROKE; BOLT-ON FOOT WITH MAGNETIC WARNING SWITCH AND PRESSURE SWITCH



ITEM	PART	QTY	DESCRIPTION
			FOR CYLINDER, SPRING, SWITCH, AND FOOT INFORMATION SEE AP49472
	RAP51780		JACK 12,000 # X 16" FIXED (REPLACES AP51780)
1	RAP93115	1	CLAMP KIT WELD ON INCLUDES INNER CLAMPS, OUTER CLAMPS, AND HARDWARE. DOES NOT INCLUDE ITEM #2.

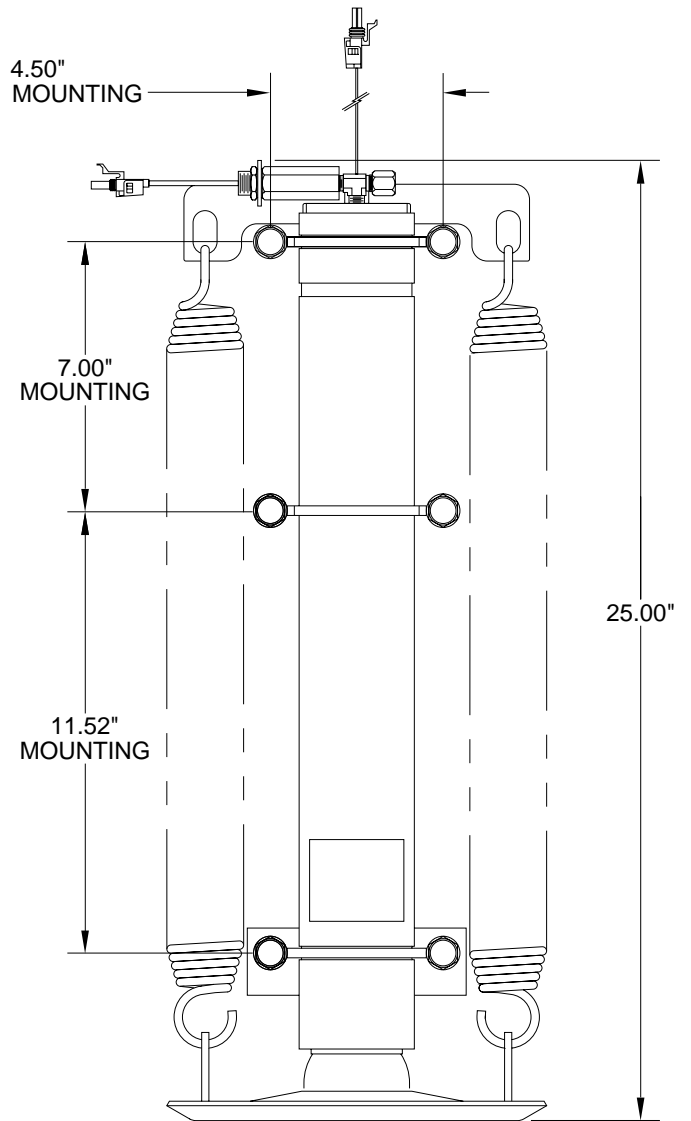
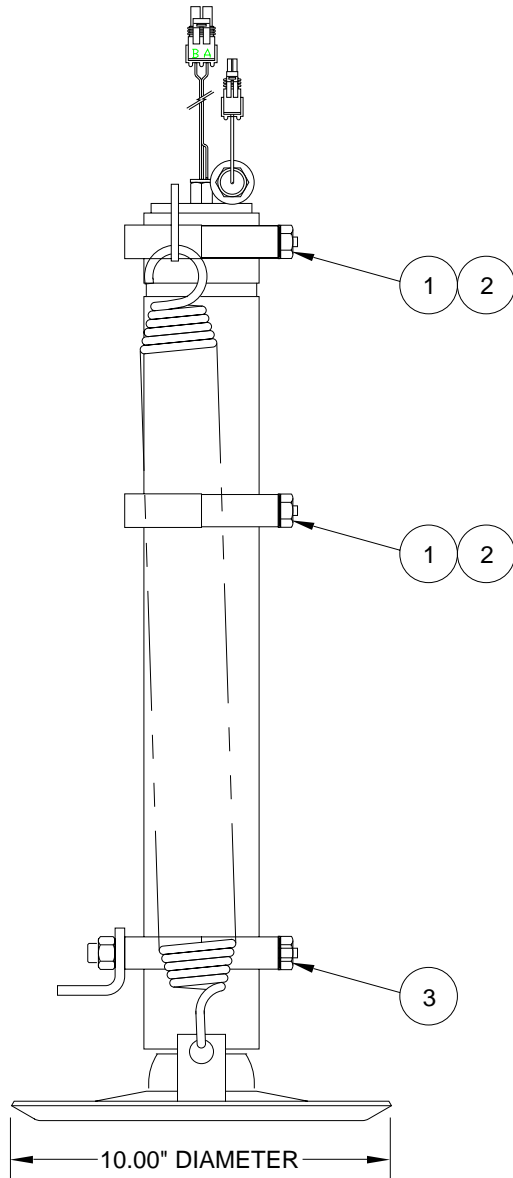
ITEM	PART	QTY	DESCRIPTION
2	RAP93117	1	CROSSTIE CLAMP KIT INCLUDES INNER CLAMP, OUTER CLAMP, AND HARDWARE

NOTE: INDENTED ITEMS ARE INCLUDED WITH PRECEDING ITEM.

**MR25.5130C
15OCT20**

AP51780 - STRAIGHT-ACTING JACK, FIXED
12,000 # CAPACITY; 2.375" ROD DIAMETER; 16.00" STROKE; BOLT-ON FOOT
WITH MAGNETIC WARNING SWITCH AND PRESSURE SWITCH

FOR BASIC JACK INFORMATION INCLUDING CYLINDER, SWITCHES AND SPRINGS OR JACK DIMENSIONS DIMENSIONS SEE PAGE [MR25.5130](#)



ITEM	PART	QTY	DESCRIPTION
1	RAP93114	1	CLAMP KIT BOLT-THRU INCLUDES INNER CLAMPS, OUTER CLAMPS, AND HARDWARE. DOES NOT INCLUDE ITEM #3.
2	RAP93115	1	CLAMP KIT WELD ON INCLUDES INNER CLAMPS, OUTER CLAMPS, AND HARDWARE. DOES NOT INCLUDE ITEM #3.

ITEM	PART	QTY	DESCRIPTION
3	RAP93117	1	CROSSTIE CLAMP KIT INCLUDES INNER CLAMP, OUTER CLAMP, AND HARDWARE

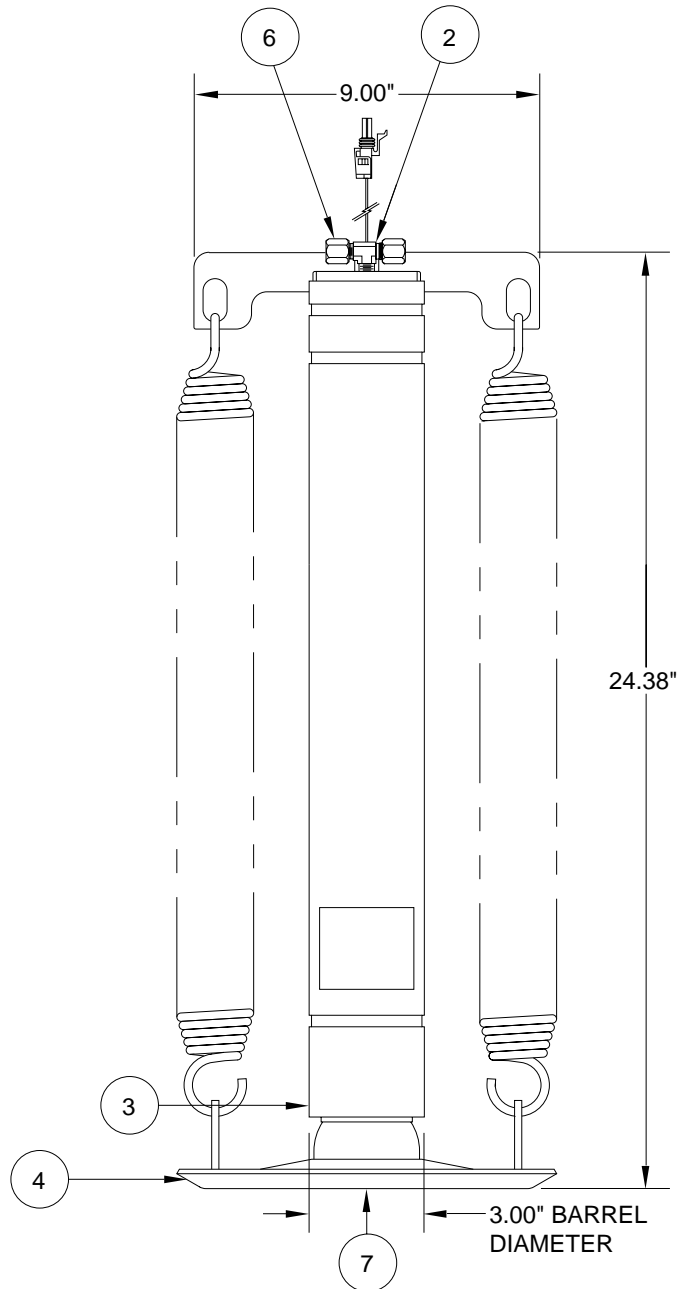
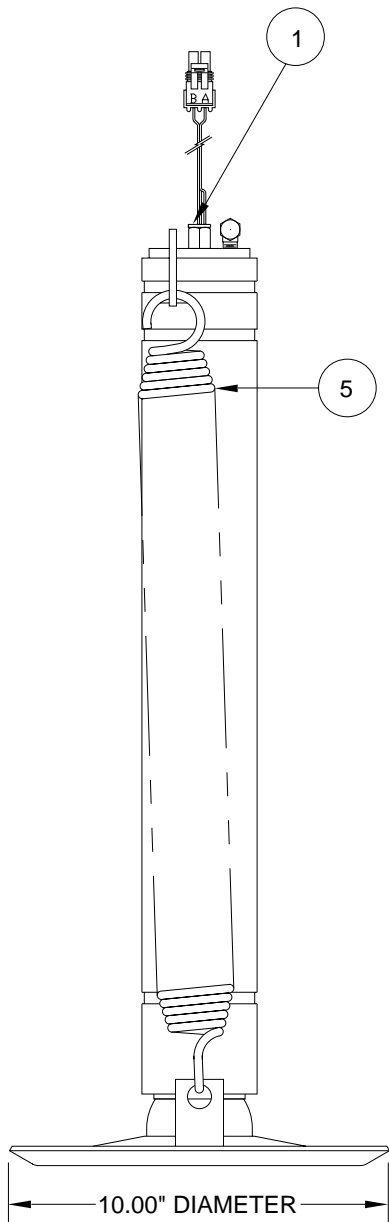
NOTE: INDENTED ITEMS ARE INCLUDED WITH PRECEDING ITEM.

MR25.5130D
06MAR14

AP50131 - RAP50131

STRAIGHT-ACTING JACK, FIXED

12,000 # CAPACITY; 2.375" ROD DIAMETER; 16.00" STROKE; BOLT-ON FOOT WITH MAGNETIC WARNING SWITCH



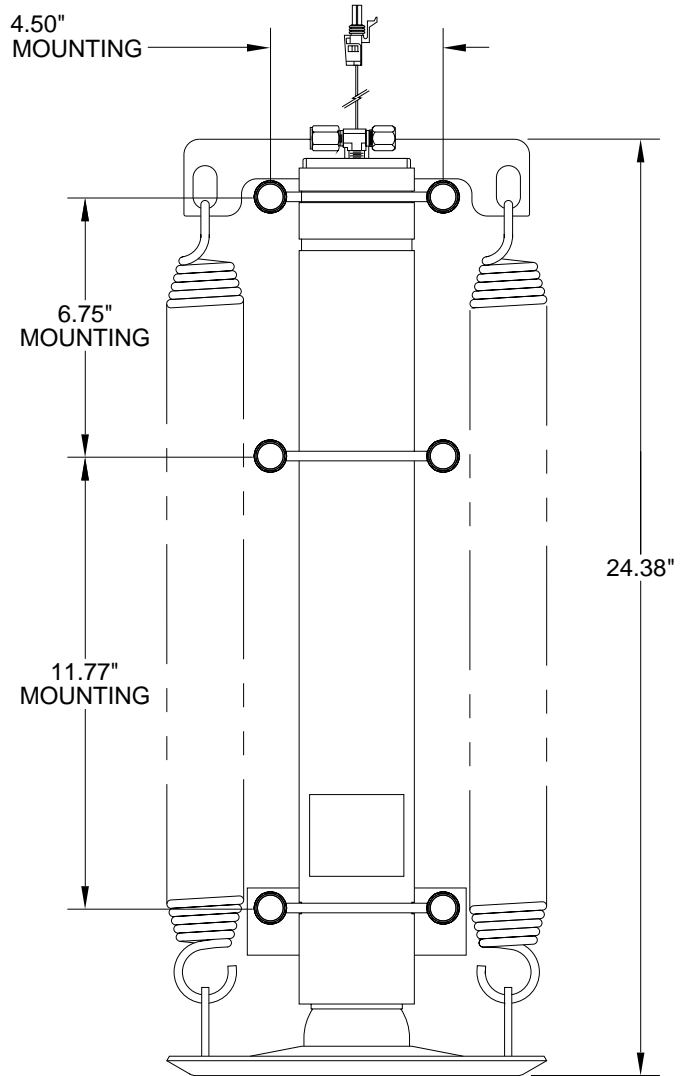
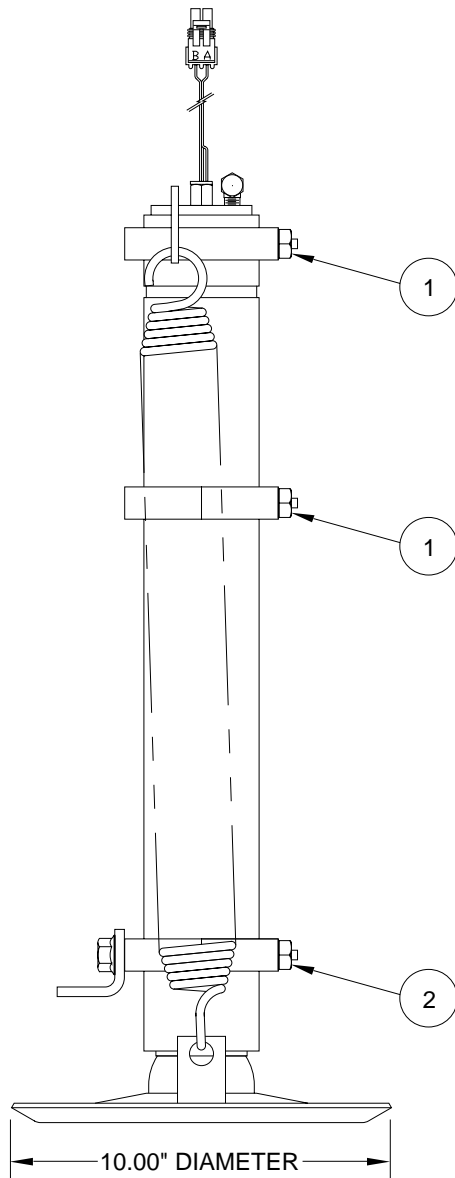
ITEM	PART	QTY	DESCRIPTION
	RAP50131		JACK 12,000 # X 16" FIXED (REPLACES AP50131)
1	RAP26641	1	SWITCH WARNING MAGNETIC GRAY
2	RF0734	1	MALE TEE SPECIAL
3	RAP45610	1	CYL. ASSY. 2.375" x 16" (INCLUDES ITEM 2 ONLY) (REPLACES RAP93046)

ITEM	PART	QTY	DESCRIPTION
4	RAP40260	1	FOOT 10.00" DIAMETER (INCLUDES ITEM 7) (REPLACES RAP92281)
5	R38956	1	SPRING KIT .218" X 17.5"
		2	SPRING .218" X 17.5"
6	RF44854	1	1/8" - 27 HEX PIPE CAP
7	RAP92466	1	SPHERE & STUD KIT FOR FOOT

NOTE: INDENTED ITEMS ARE INCLUDED WITH PRECEDING ITEM.

**MR25.5131
15OCT20**

AP50132 - RAP50132
STRAIGHT-ACTING JACK, FIXED
12,000 # CAPACITY; 2.375" ROD DIAMETER; 16.00" STROKE; BOLT-ON FOOT
WITH MAGNETIC WARNING SWITCH



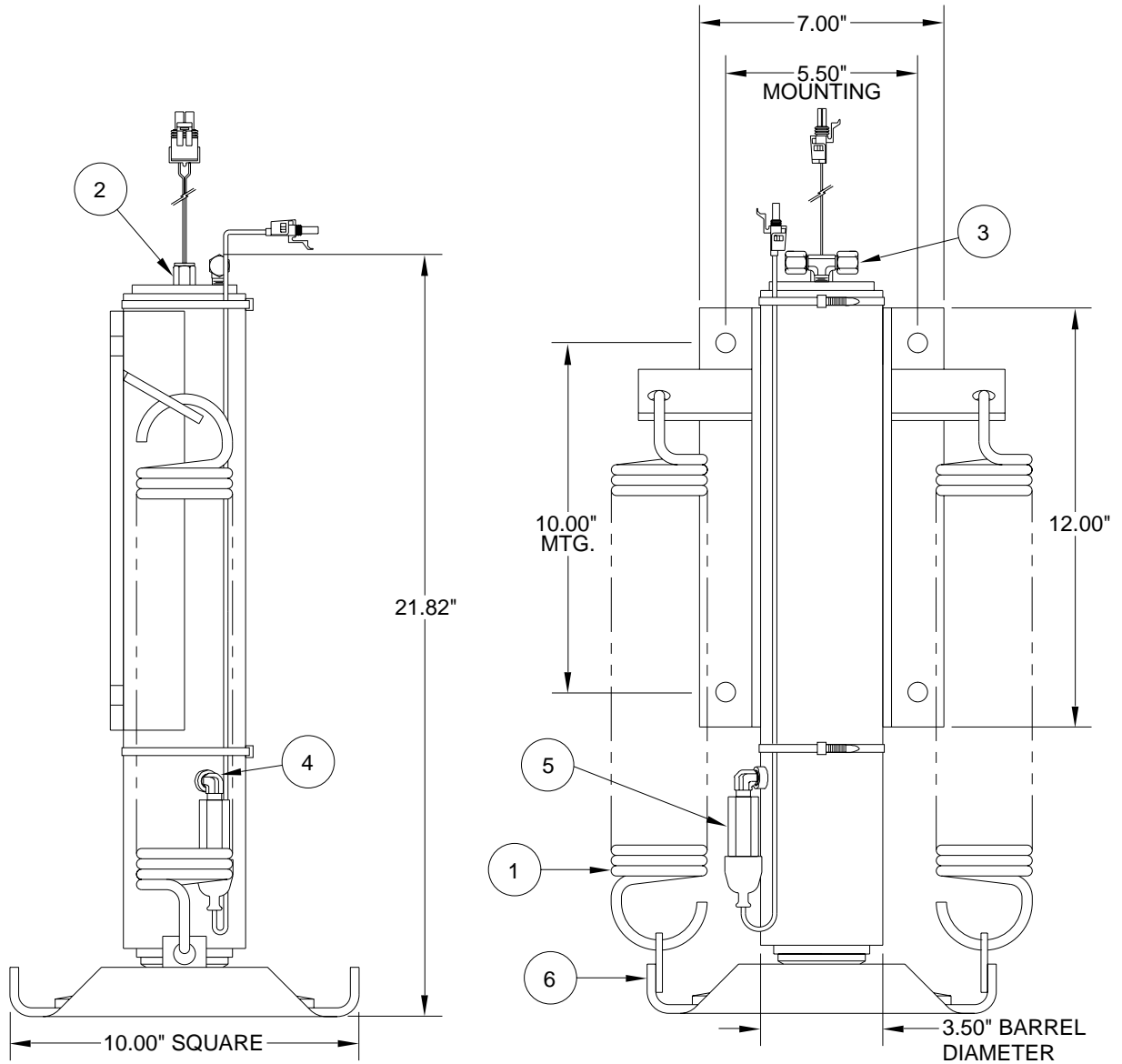
ITEM	PART	QTY	DESCRIPTION
			FOR CYLINDER, SPRING, SWITCH, AND FOOT INFORMATION SEE AP50131
	RAP50132		JACK 12,000 # X 16" FIXED (REPLACES AP50132)
1	RAP93115	1	CLAMP KIT WELD ON INCLUDES INNER CLAMPS, OUTER CLAMPS, AND HARDWARE. DOES NOT INCLUDE ITEM #2.

ITEM	PART	QTY	DESCRIPTION
2	RAP93117	1	CROSSTIE CLAMP KIT INCLUDES INNER CLAMP, OUTER CLAMP, ANGLE BRACKET AND HARDWARE.

NOTE: INDENTED ITEMS ARE INCLUDED WITH PRECEDING ITEM.

MR25.5131A
15OCT20

AP29888 - RAP29888
STRAIGHT-ACTING JACK, FIXED
14,000 # CAPACITY; 2.750" ROD DIAMETER; 13.00" STROKE



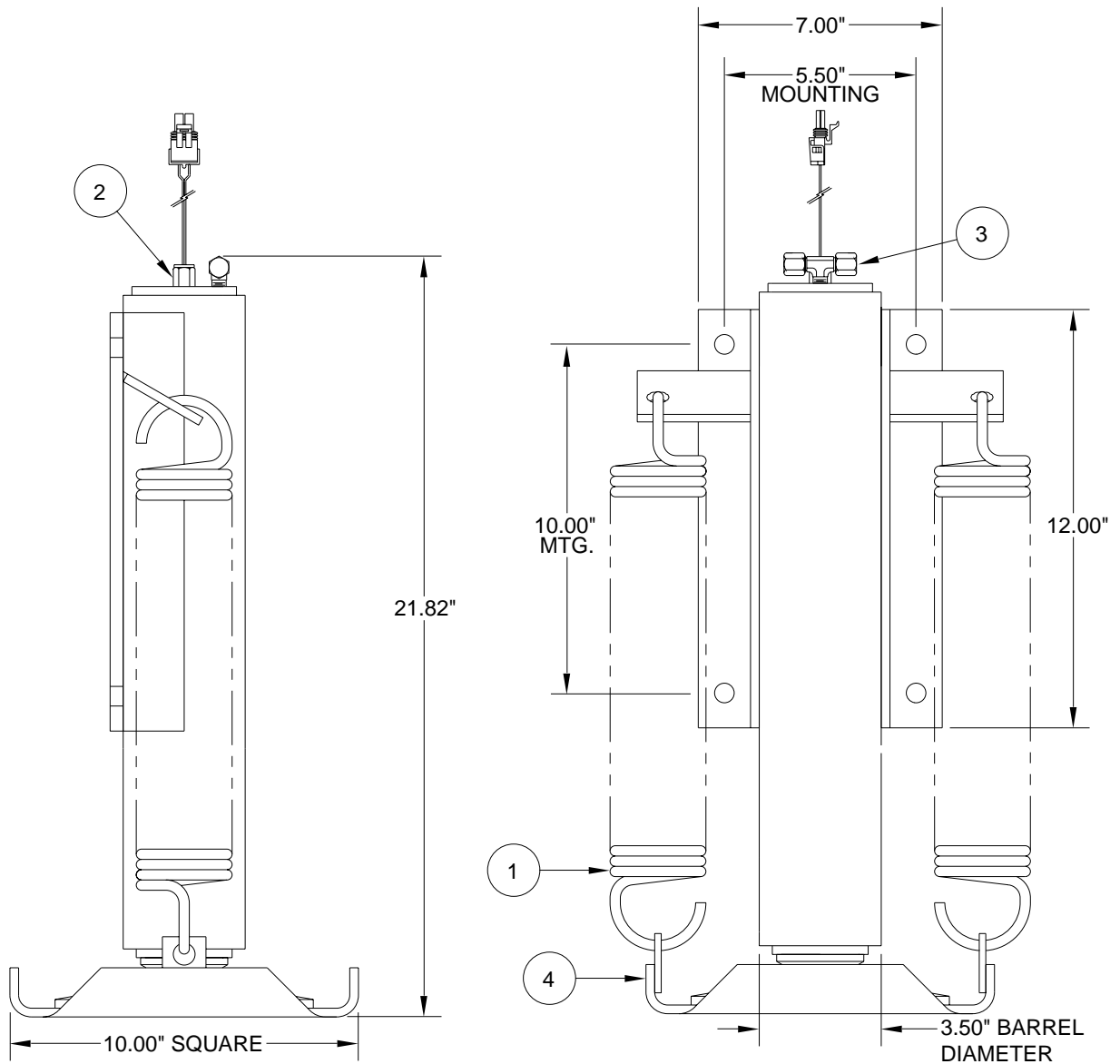
ITEM	PART	QTY	DESCRIPTION
	RAP29888		JACK 14,000 # X 13" FIXED (REPLACES AP29888 / RAP92446)
1	R2365	1 2	SPRING KIT 2-3/4" X 13-1/2" SPRING 2-3/4" X 13-1/2"
2	RAP26641	1	SWITCH WARNING MAGNETIC GRAY

ITEM	PART	QTY	DESCRIPTION
3	RF6966	1	MALE TEE 1/8" X 1/4" X 1/4"
4	RF8143	1	ELBOW 1/8" X 1/8"
5	RAP8003	1	SWITCH PRESSURE
6	RAP46780	1	FOOT 11.40" ROUND 10" SQUARE FOOT NO LONGER AVAILABLE (REPLACES RAP7754)

NOTE: INDENTED ITEMS ARE INCLUDED WITH PRECEDING ITEM.

MR25.5500
15OCT20

AP29920 - RAP29920
STRAIGHT-ACTING JACK, FIXED
14,000 # CAPACITY; 2.750" ROD DIAMETER; 13.00" STROKE



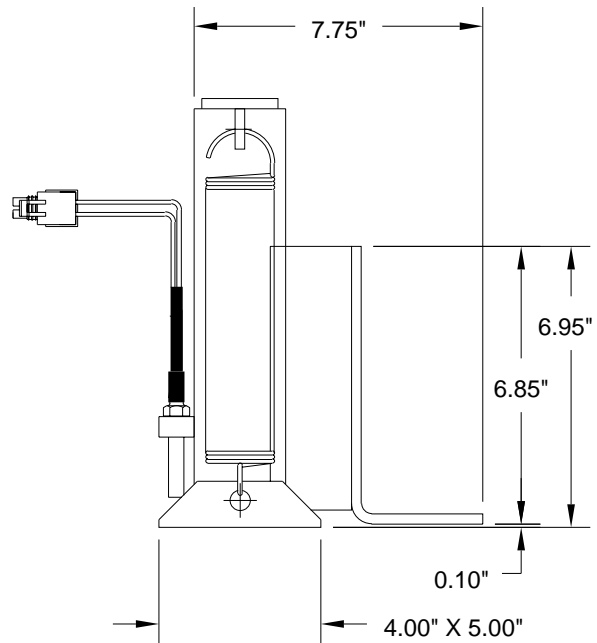
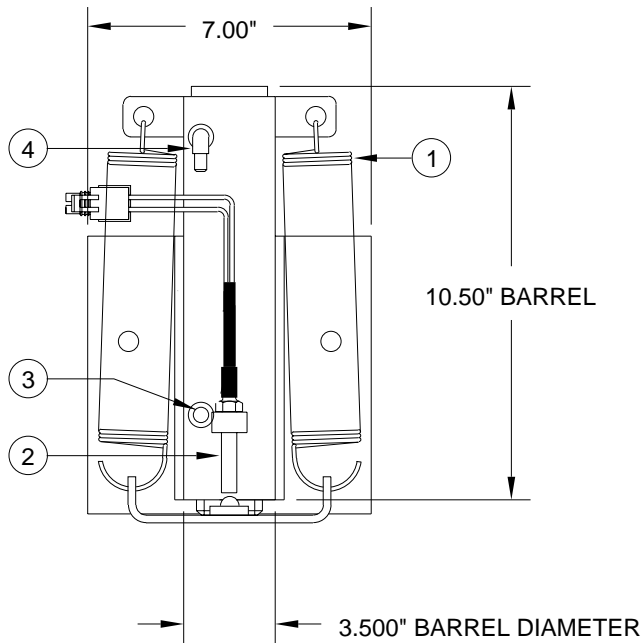
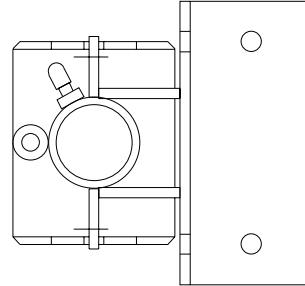
ITEM	PART	QTY	DESCRIPTION
	RAP29920		JACK 14,000 # X 13" FIXED (REPLACES AP29920 / RAP91657)
1	R2365	1	SPRING KIT 2-3/4" X 13-1/2"
		2	SPRING 2-3/4" X 13-1/2"
2	RAP26641	1	SWITCH WARNING MAGNETIC GRAY

ITEM	PART	QTY	DESCRIPTION
3	RF6966	1	MALE TEE 1/8" X 1/4" X 1/4"
4	RAP46780	1	FOOT 11.40" ROUND 10" SQUARE FOOT NO LONGER AVAILABLE (REPLACES RAP7754)

NOTE: INDENTED ITEMS ARE INCLUDED WITH PRECEDING ITEM.

MR25.5501
15OCT20

AP1301 - RAP1301
STRAIGHT-ACTING JACK, FIXED
16,000 # CAPACITY; 2.750" ROD DIAMETER; 6.50" STROKE

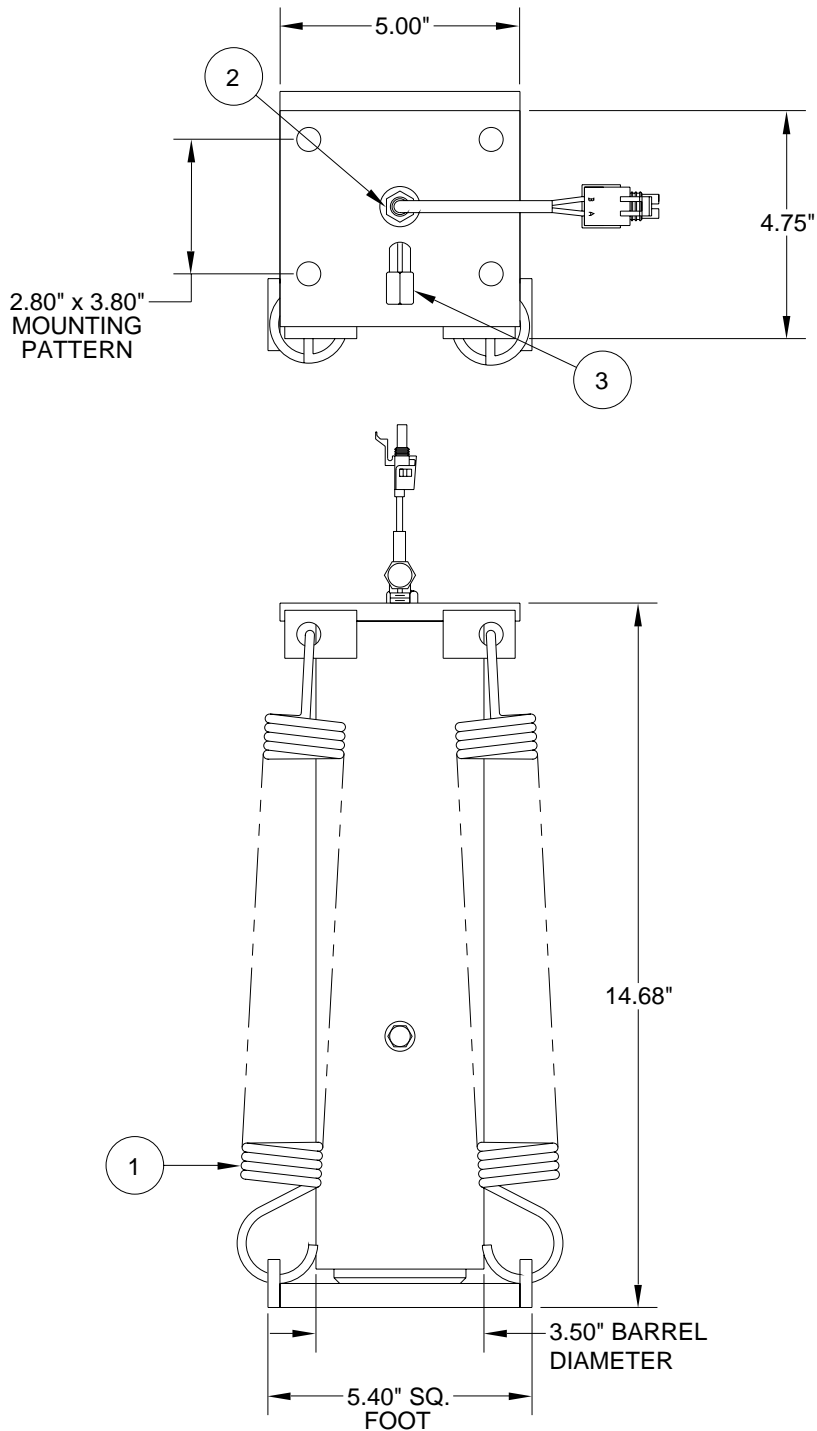


ITEM	PART	QTY	DESCRIPTION
	RAP1301		JACK 16,000 # X 6.5" FIXED (REPLACES AP1301 / RAP90249)
1	R1311	1	SPRING KIT 1.68" X 7.75"
		2	SPRING 1.68" X 7.75"

ITEM	PART	QTY	DESCRIPTION
2	RAP1008	1	SWITCH WARNING 2-WIRE
3	RF2418	1	PIPE PLUG 1/8"
4	RF1453	1	ELBOW 1/8" X 1/4"

NOTE: INDENTED ITEMS ARE INCLUDED WITH PRECEDING ITEM.

AP12277
STRAIGHT-ACTING JACK, FIXED
16,000 # CAPACITY; 2.750" ROD DIAMETER; 8.00" STROKE
USED ON PREVOST BUS CONVERSIONS

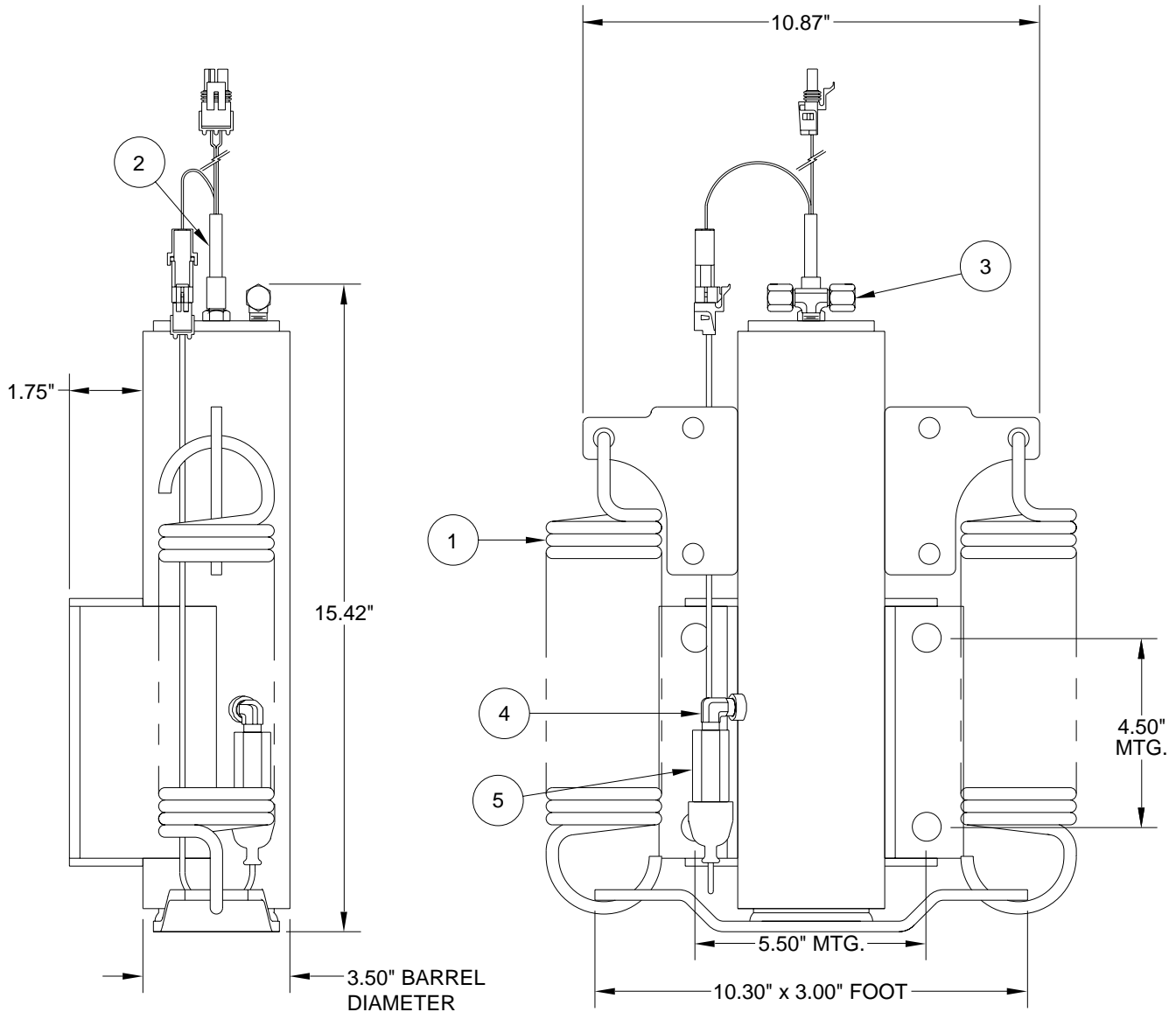


ITEM	PART	QTY	DESCRIPTION	ITEM	PART	QTY	DESCRIPTION
NOTE: CONTACT HWH CORPORATION FOR JACK REPLACEMENT INFORMATION.				2	RAP1008	1	SWITCH WARNING MAGNETIC
1	R1171	1	SPRING KIT 1-5/8" X 12"	3	RF1453	1	ELBOW 1/8" X 1/4"
		2	SPRING 1-5/8" X 12"				

NOTE: INDENTED ITEMS ARE INCLUDED WITH PRECEDING ITEM.

MR25.6105
13MAR09

AP20889 - RAP20889
STRAIGHT-ACTING JACK, FIXED
16,000 # CAPACITY; 2.750" ROD DIAMETER; 8.00" STROKE
WITH 3-WIRE WARNING SWITCH AND PRESSURE SWITCH



ITEM	PART	QTY	DESCRIPTION
	RAP20889		JACK 16,000 # X 8" FIXED (REPLACES AP20889 / RAP90998)
1	R20897	1	SPRING KIT 2.75" X 9.75"
		2	SPRING 2.75" X 9.75"
2	RAP90073	1	SWITCH WARNING 3-WIRE

ITEM	PART	QTY	DESCRIPTION
3	RF6966	1	MALE TEE 1/8" X 1/4" X 1/4"
4	RF8143	1	ELBOW 1/8" X 1/8"
5	RAP8003	1	SWITCH PRESSURE

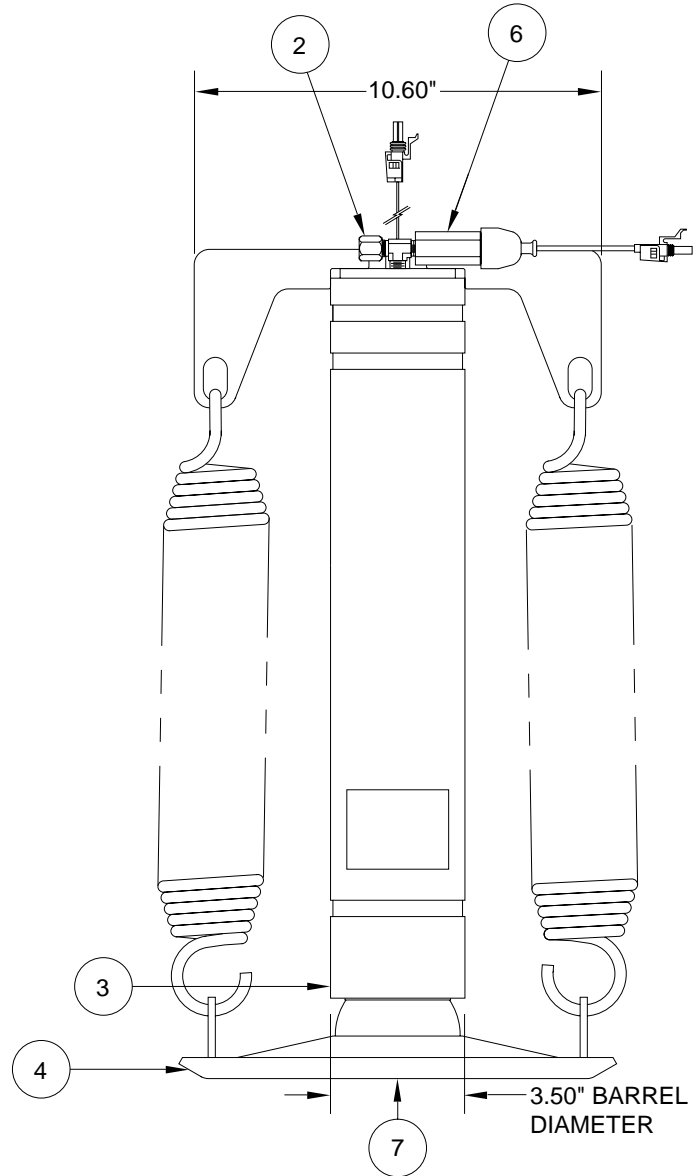
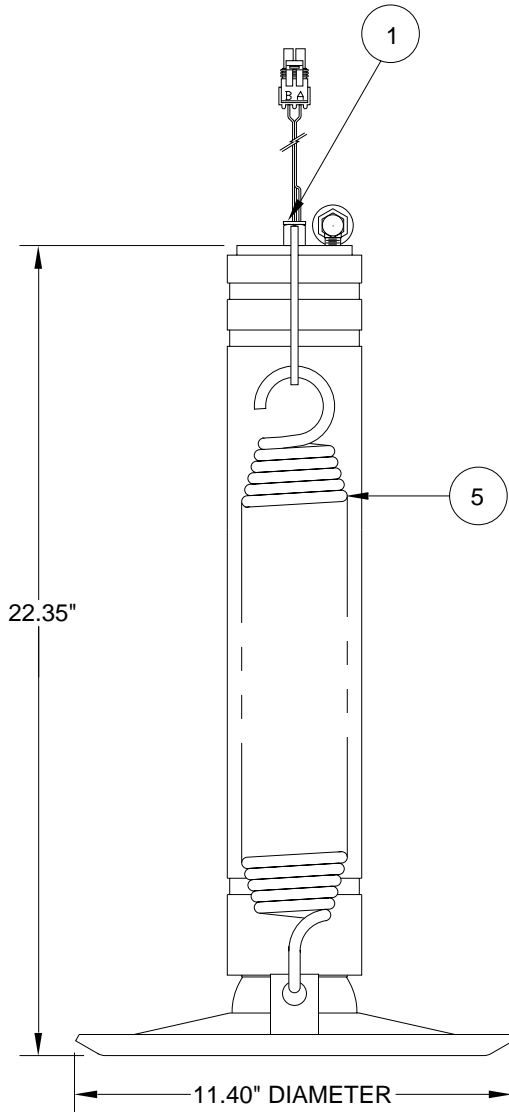
NOTE: INDENTED ITEMS ARE INCLUDED WITH PRECEDING ITEM.

MR25.6110
15OCT20

AP49490 - RAP49490

STRAIGHT-ACTING JACK, FIXED

16,000 # CAPACITY; 2.750" ROD DIAMETER; 13.00" STROKE; BOLT-ON FOOT WITH MAGNETIC WARNING SWITCH AND PRESSURE SWITCH



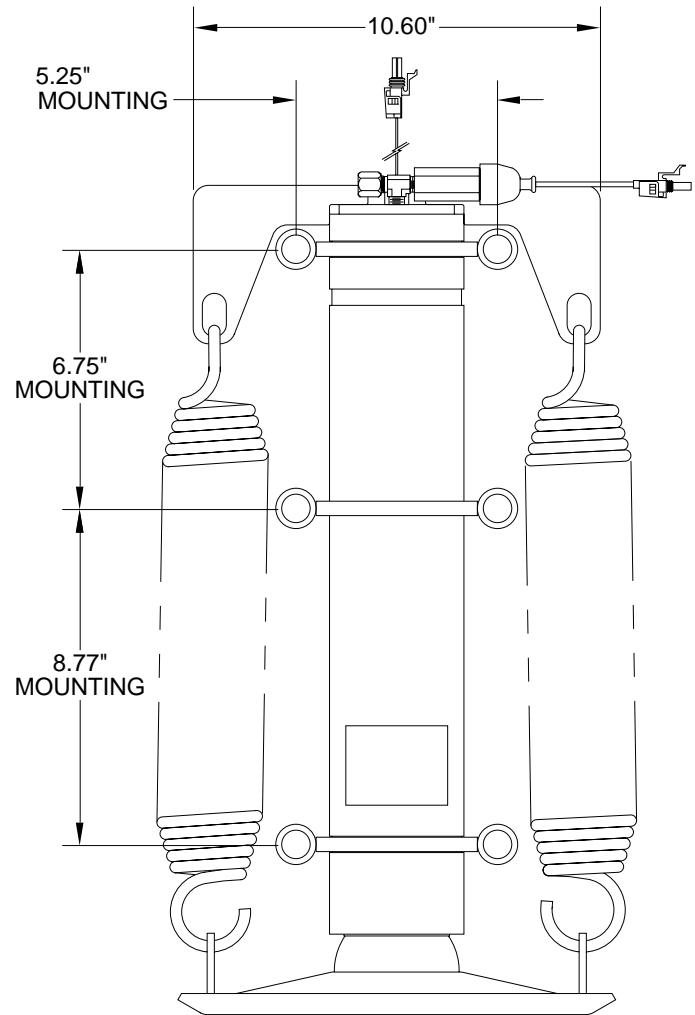
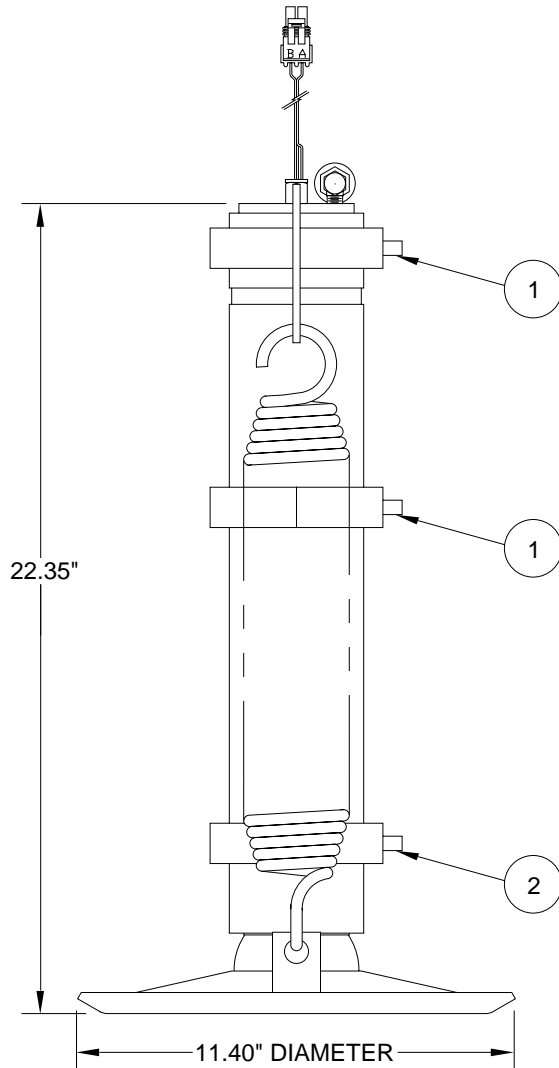
ITEM	PART	QTY	DESCRIPTION
	RAP49490		JACK 16,000 # X 13" FIXED (REPLACES AP49490)
1	RAP26641	1	SWITCH WARNING MAGNETIC GRAY
2	RF0734	1	MALE TEE SPECIAL
3	RAP45691	1	CYL. ASSY. 2.750" x 13" (INCLUDES ITEM 2 ONLY) (REPLACES RAP92735)

ITEM	PART	QTY	DESCRIPTION
4	RAP40275	1	FOOT 11.40" DIAMETER (INCLUDES ITEM 7) (REPLACES RAP92632)
5	R2365	1	SPRING KIT 2-3/4" X 13-1/2"
		2	SPRING 2-3/4" X 13-1/2"
6	RAP8003	1	SWITCH PRESSURE
7	RAP92467	1	SPHERE & STUD KIT FOR FOOT

NOTE: INDENTED ITEMS ARE INCLUDED WITH PRECEDING ITEM.

**MR25.6115
15OCT20**

AP45692 - STRAIGHT-ACTING JACK, FIXED - OBSOLETE
16,000 # CAPACITY; 2.750" ROD DIAMETER; 13.00" STROKE; BOLT-ON FOOT
WITH MAGNETIC WARNING SWITCH AND PRESSURE SWITCH



ITEM	PART	QTY	DESCRIPTION
			FOR CYLINDER, SPRING, SWITCH, AND FOOT INFORMATION SEE AP49490
	RX92733		JACK - OBSOLETE SEE RAP51781 (REPLACES RX92733 / AP45692)

ITEM	PART	QTY	DESCRIPTION
1	RAP93119	1	CLAMP KIT WELD INCLUDES INNER CLAMPS, OUTER CLAMPS, AND HARDWARE. DOES NOT INCLUDE ITEM #2.
2	RAP93120	1	CROSSTIE CLAMP KIT INCLUDES INNER CLAMP, OUTER CLAMP, ANGLE BRACKET AND HARDWARE

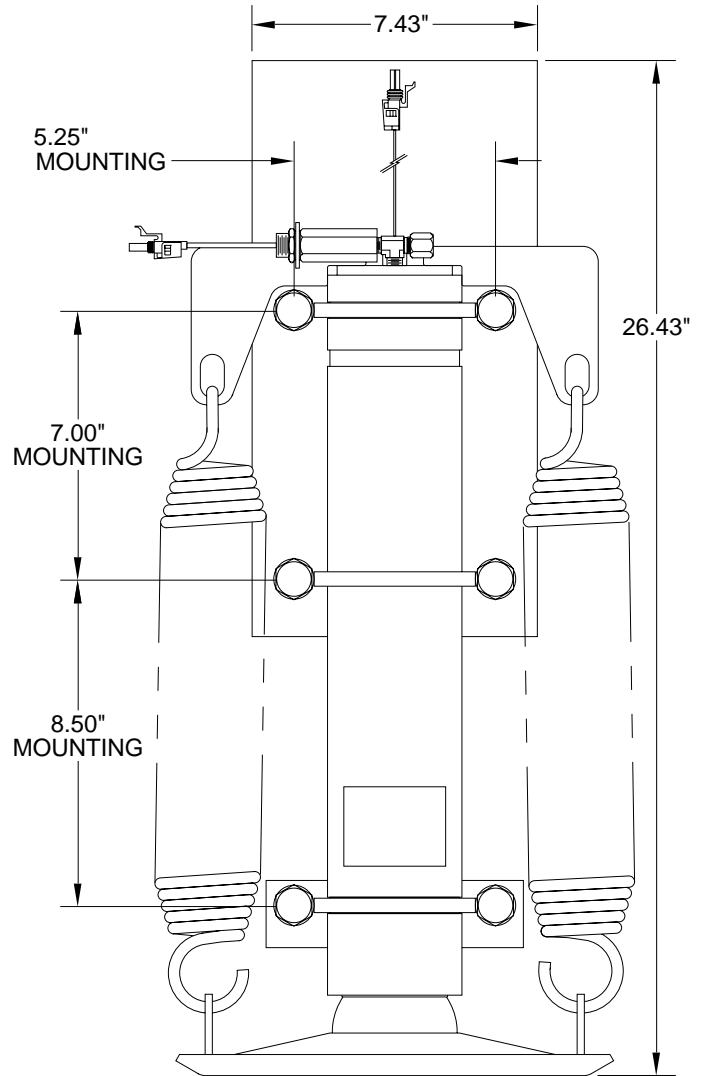
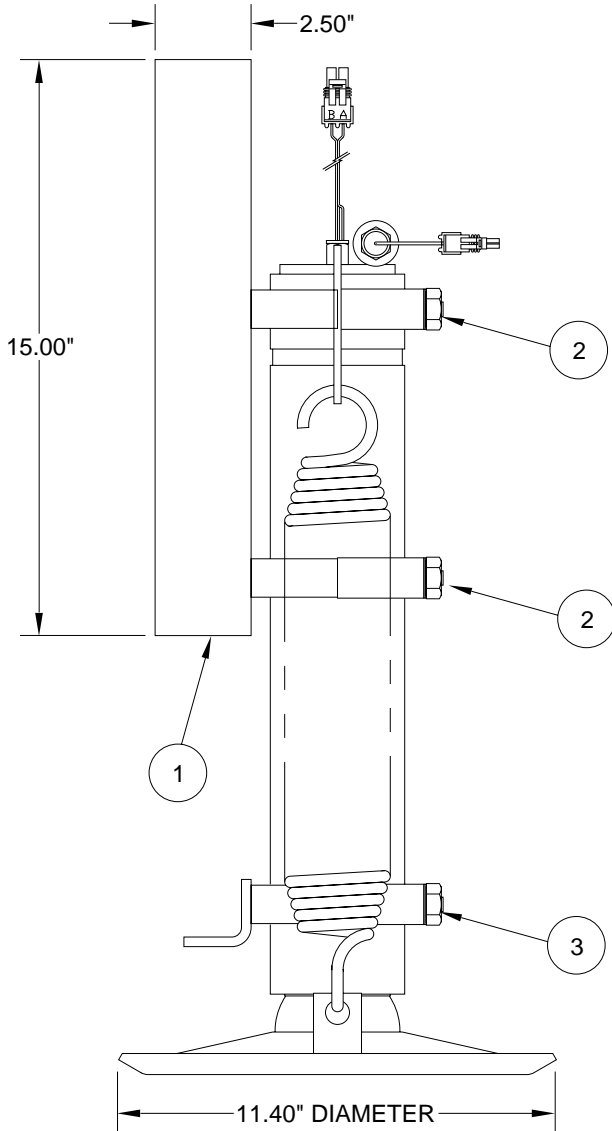
NOTE: INDENTED ITEMS ARE INCLUDED WITH PRECEDING ITEM.

MR25.6115A
15OCT20

AP49520 - RAP49520

STRAIGHT-ACTING JACK, FIXED

16,000 # CAPACITY; 2.750" ROD DIAMETER; 13.00" STROKE; BOLT-ON FOOT WITH MAGNETIC WARNING SWITCH AND PRESSURE SWITCH



ITEM	PART	QTY	DESCRIPTION
------	------	-----	-------------

FOR CYLINDER, SPRING, SWITCH, AND FOOT INFORMATION SEE AP49490

RAP49520 JACK 16,000 # X 13" FIXED (REPLACES AP49520)

1 RAP93049 1 MOUNTING BRACKET ASSEMBLY. INCLUDES OUTER CLAMPS AND HARDWARE. DOES NOT INCLUDE ITEM #3.

ITEM	PART	QTY	DESCRIPTION
------	------	-----	-------------

2 RAP93119 1 CLAMP KIT WELD INCLUDES INNER CLAMPS, OUTER CLAMPS, AND HARDWARE. DOES NOT INCLUDE ITEM #3.

3 RAP93120 1 CROSSTIE CLAMP KIT INCLUDES INNER CLAMP, OUTER CLAMP, ANGLE BRACKET AND HARDWARE

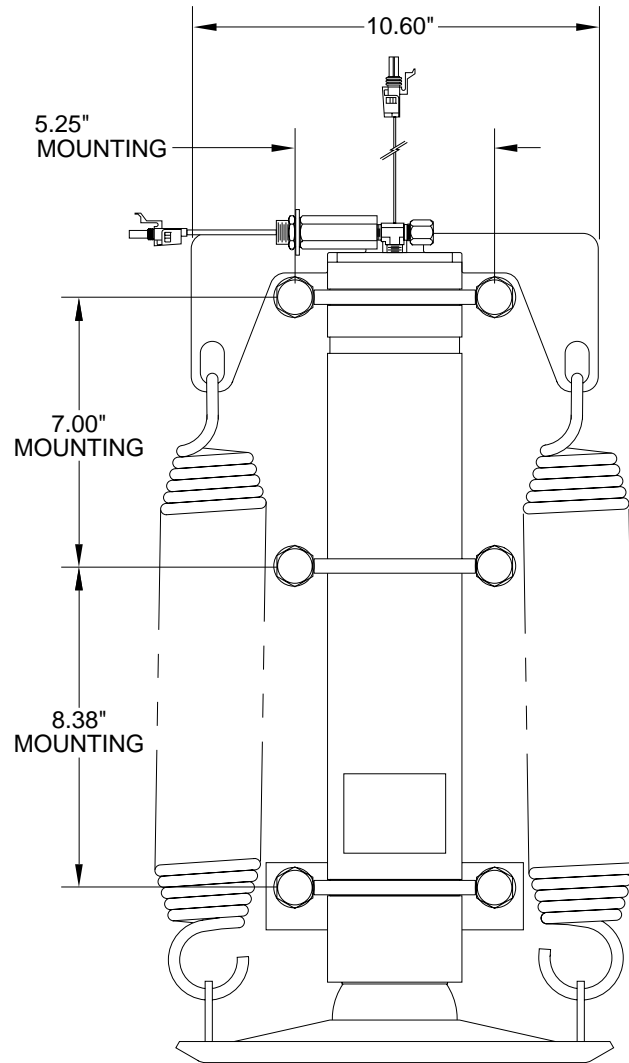
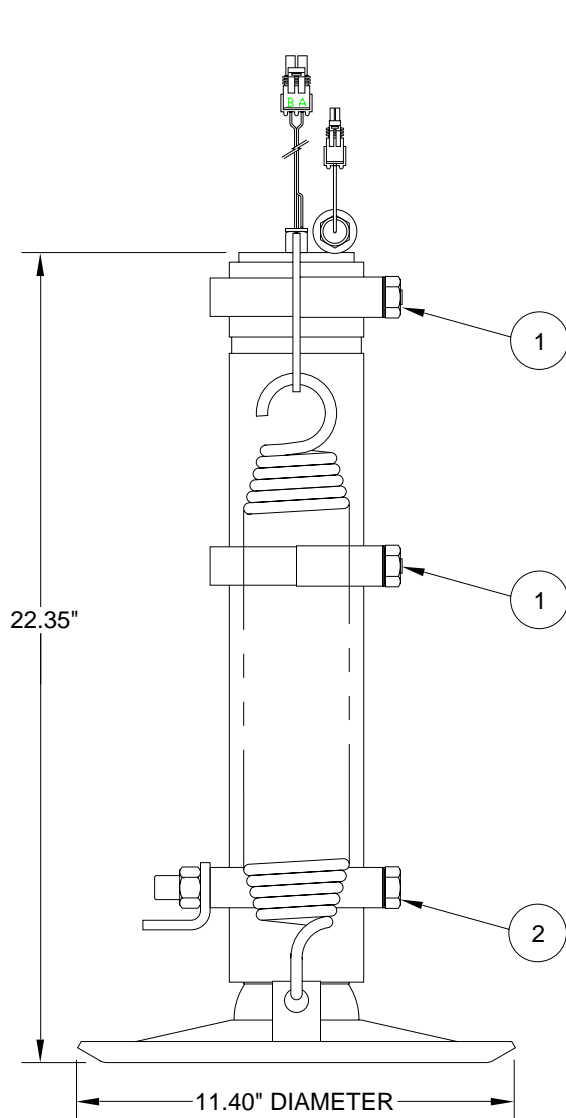
NOTE: INDENTED ITEMS ARE INCLUDED WITH PRECEDING ITEM.

**MR25.6115B
16OCT20**

AP51781 - RAP51781

STRAIGHT-ACTING JACK, FIXED

16,000 # CAPACITY; 2.750" ROD DIAMETER; 13.00" STROKE; BOLT-ON FOOT WITH MAGNETIC WARNING SWITCH AND PRESSURE SWITCH



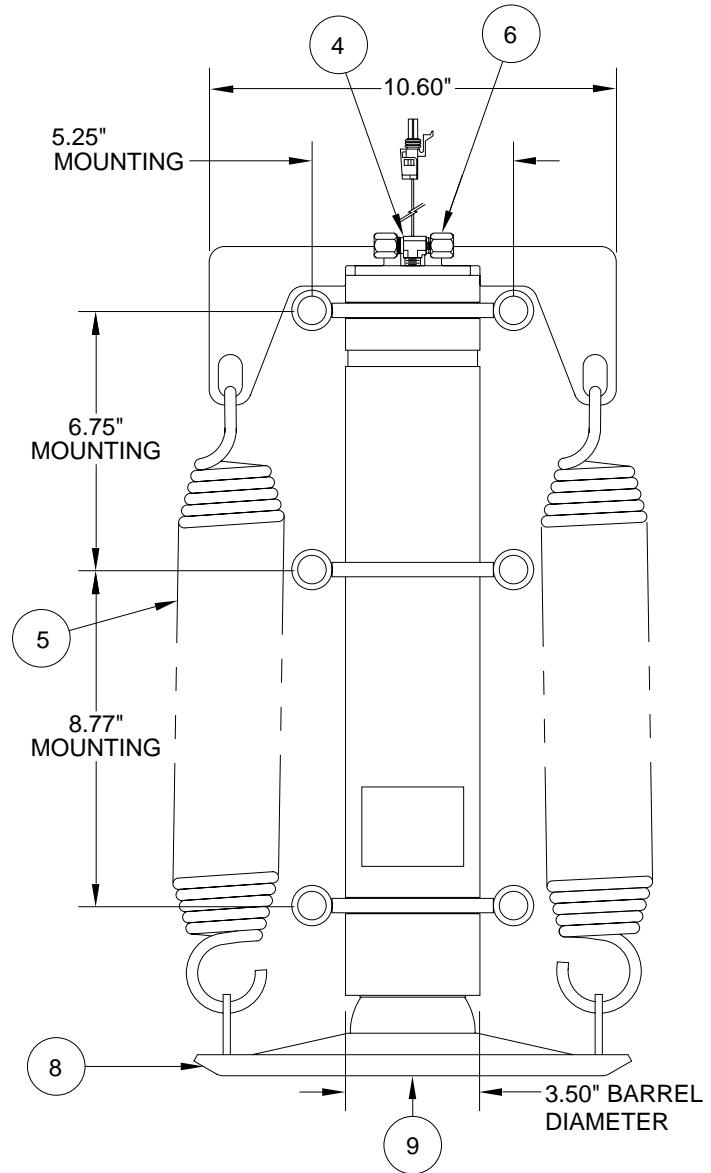
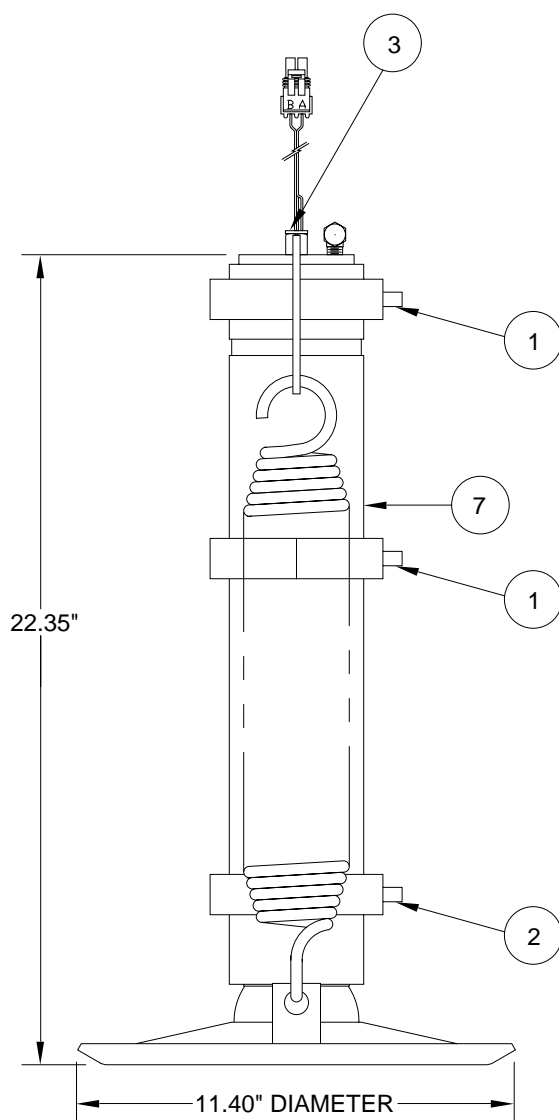
ITEM	PART	QTY	DESCRIPTION
			FOR CYLINDER, SPRING, SWITCH, AND FOOT INFORMATION SEE AP49520
	RAP51781		JACK 16,000 # X 13" FIXED (REPLACES AP51781)
1	RAP93119	1	CLAMP KIT WELD INCLUDES INNER CLAMPS, OUTER CLAMPS, AND HARDWARE. DOES NOT INCLUDE ITEM #2.

ITEM	PART	QTY	DESCRIPTION
2	RAP93120	1	CROSSTIE CLAMP KIT INCLUDES INNER CLAMP, OUTER CLAMP, ANGLE BRACKET AND HARDWARE

NOTE: INDENTED ITEMS ARE INCLUDED WITH PRECEDING ITEM.

**MR25.6115C
16OCT20**

AP46749 - STRAIGHT-ACTING JACK, FIXED
16,000 # CAPACITY; 2.750" ROD DIAMETER; 13.00" STROKE; BOLT-ON FOOT
WITH MAGNETIC WARNING SWITCH



ITEM	PART	QTY	DESCRIPTION
	RX92734		JACK 16,000 # X 13" FIXED (REPLACES AP46479)
1	RAP93118	1	CLAMP KIT BOLT-THRU INCLUDES INNER CLAMPS, OUTER CLAMPS, AND HARDWARE. DOES NOT INCLUDE ITEM #3.
2	RAP93120	1	CROSSTIE CLAMP KIT INCLUDES INNER CLAMP, OUTER CLAMP, ANGLE BRACKET AND HARDWARE
3	RAP90968	1	SWITCH WARNING MAGNETIC GRAY
4	RF0734	1	MALE TEE SPECIAL

ITEM	PART	QTY	DESCRIPTION
5	R2365	1	SPRING KIT 2-3/4" X 13-1/2"
		2	SPRING 2-3/4" X 13-1/2"
6	RF44854	1	1/8" - 27 HEX PIPE CAP
7	RAP92735	1	CYL. ASSY. 2.750" x 13" (INCLUDES ITEMS 4, 6) (EXCLUDES ITEM 3)
8	RAP92632	1	FOOT 11.40" DIAMETER (INCLUDES ITEM 9)
9	RAP92467	1	SPHERE & STUD KIT FOR FOOT

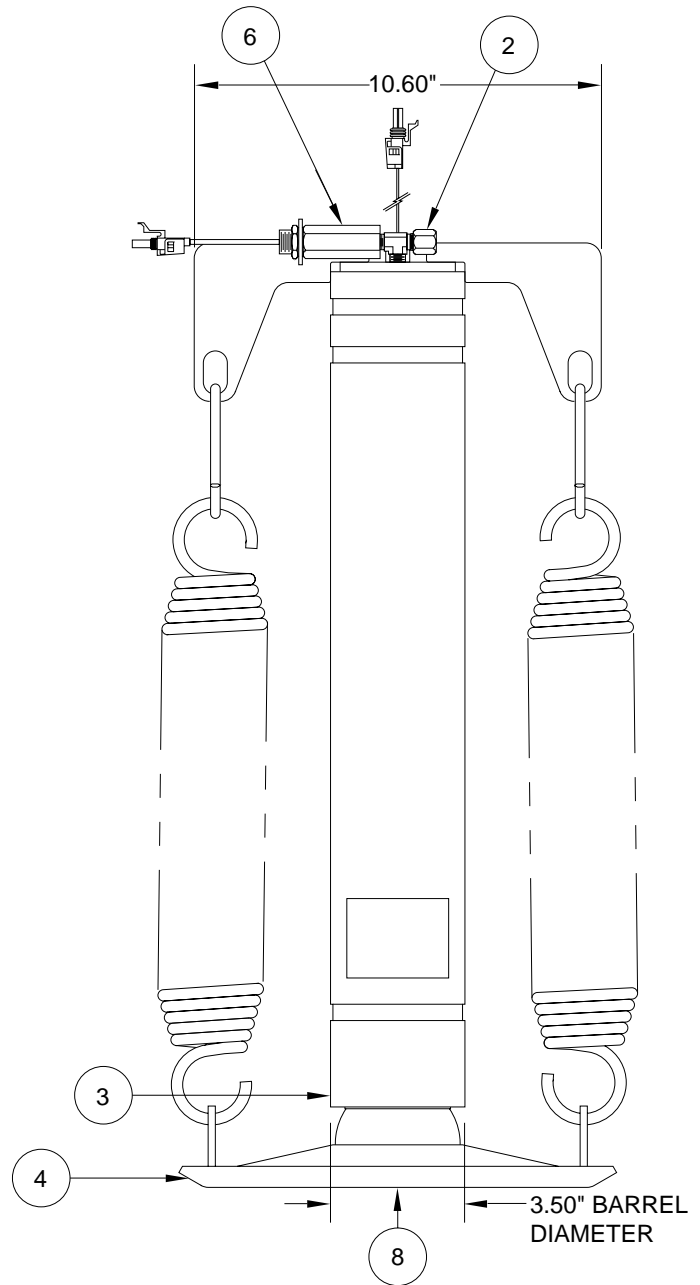
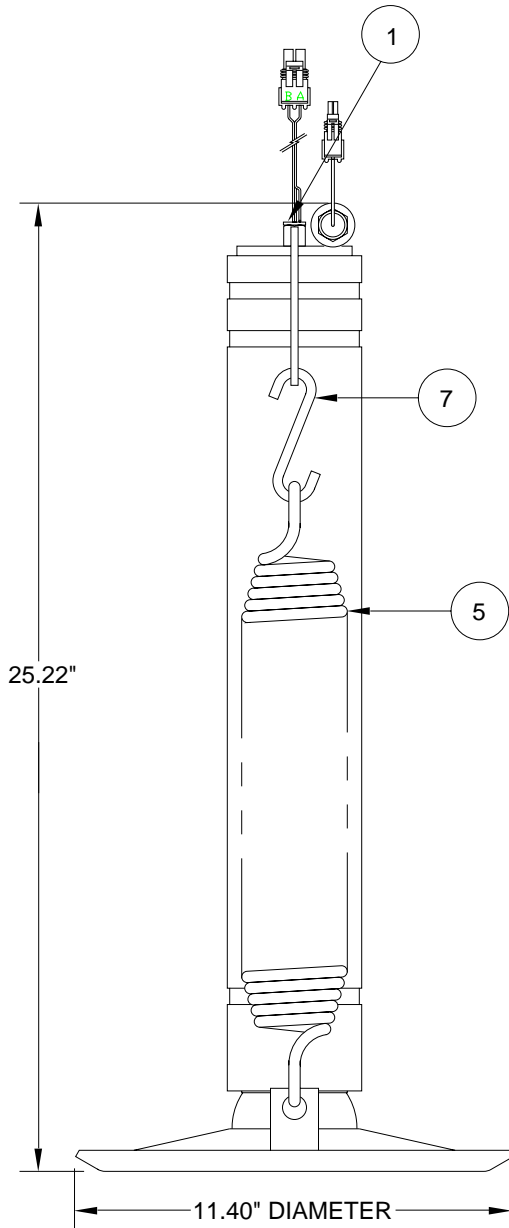
NOTE: INDENTED ITEMS ARE INCLUDED WITH PRECEDING ITEM.

MR25.6116
17APR20

AP45695 - RAP45695

STRAIGHT-ACTING JACK, FIXED

16,000 # CAPACITY; 2.750" ROD DIAMETER; 16.00" STROKE; BOLT-ON FOOT WITH MAGNETIC WARNING SWITCH AND PRESSURE SWITCH



ITEM	PART	QTY	DESCRIPTION
	RAP45695		JACK 16,000 # X 16" FIXED (REPLACES AP45695)
1	RAP26641	1	SWITCH WARNING MAGNETIC GRAY
2	RF0734	1	MALE TEE SPECIAL
3	RAP45694	1	CYL. ASSY. 2.750" x 16" (INCLUDES ITEM 2 ONLY) (REPLACES RAP93606)
4	RAP40275	1	FOOT 11.40" DIAMETER (INCLUDES ITEM 8) (REPLACES RAP92632)

ITEM	PART	QTY	DESCRIPTION
5	R2365	1	SPRING KIT 2-3/4" X 13-1/2"
		2	SPRING 2-3/4" X 13-1/2"
6	RAP8003	1	SWITCH PRESSURE
7	RP93607	1	SPRING HOOK KIT
		2	SPRING HOOK
8	RAP92467	1	SPHERE & STUD KIT FOR FOOT

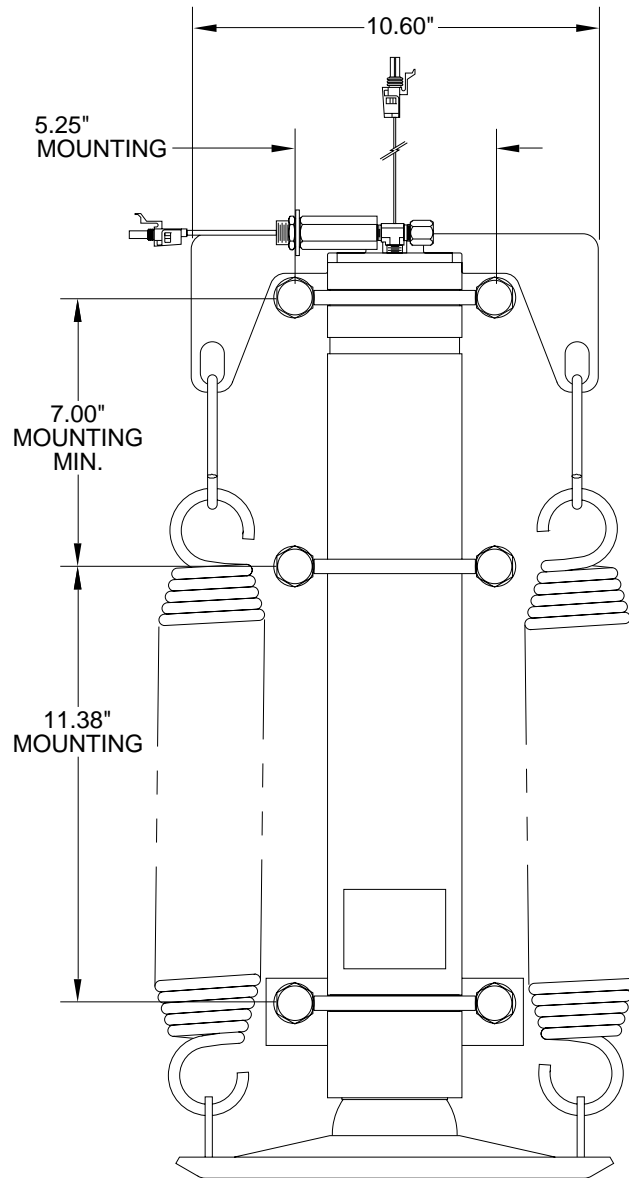
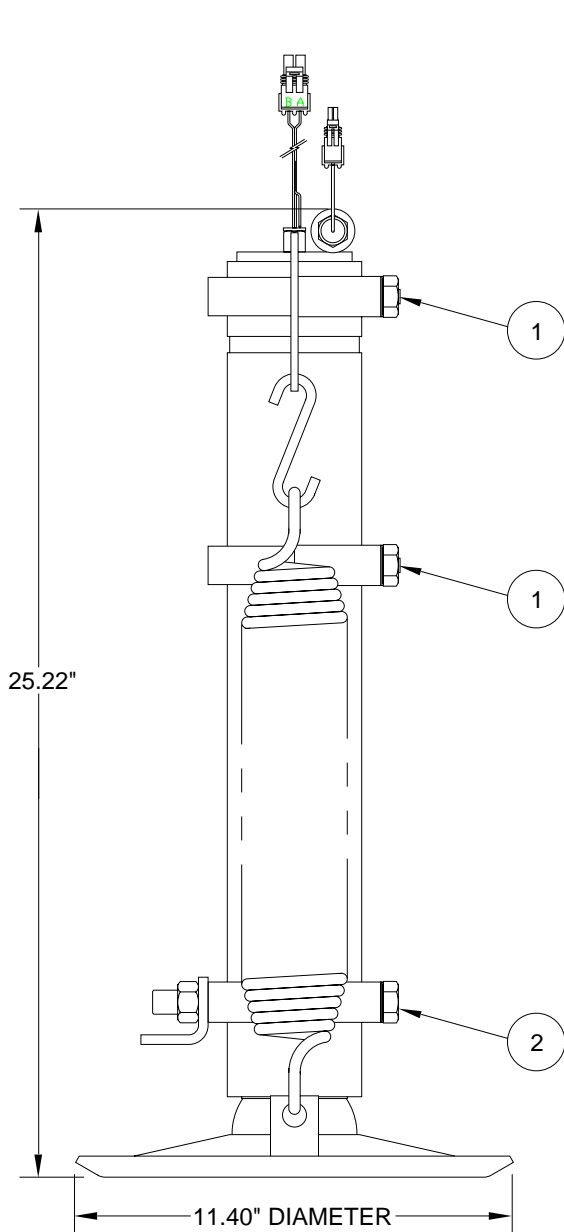
NOTE: INDENTED ITEMS ARE INCLUDED WITH PRECEDING ITEM.

**MR25.6150
16OCT20**

AP51782 - RAP51782

STRAIGHT-ACTING JACK, FIXED

16,000 # CAPACITY; 2.750" ROD DIAMETER; 16.00" STROKE; BOLT-ON FOOT WITH MAGNETIC WARNING SWITCH AND PRESSURE SWITCH



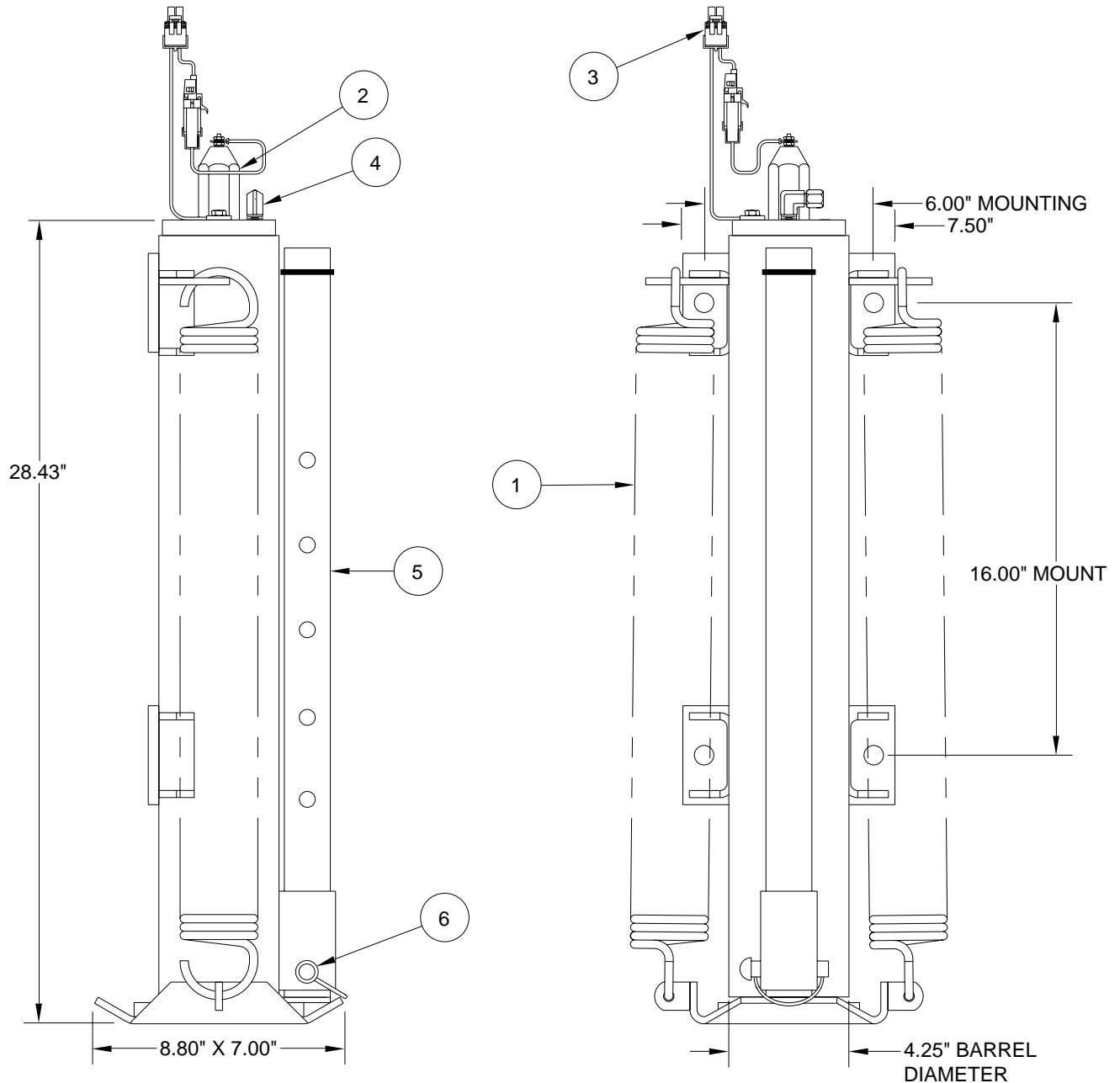
ITEM	PART	QTY	DESCRIPTION
			FOR CYLINDER, SPRING, SWITCH, AND FOOT INFORMATION SEE AP45695
	RAP51782		JACK 16,000 # X 16" FIXED (REPLACES AP51782)
1	RAP93119	1	CLAMP KIT WELD INCLUDES INNER CLAMPS, OUTER CLAMPS, AND HARDWARE. DOES NOT INCLUDE ITEM #2.

ITEM	PART	QTY	DESCRIPTION
2	RAP93120	1	CROSSTIE CLAMP KIT INCLUDES INNER CLAMP, OUTER CLAMP, ANGLE BRACKET AND HARDWARE

NOTE: INDENTED ITEMS ARE INCLUDED WITH PRECEDING ITEM.

**MR25.6150A
16OCT20**

AP17855 - RAP17855
STRAIGHT-ACTING JACK, FIXED
18,000 # CAPACITY; 3.500" ROD DIAMETER; 21.00" STROKE
USED ON FIFTH WHEEL COACHES



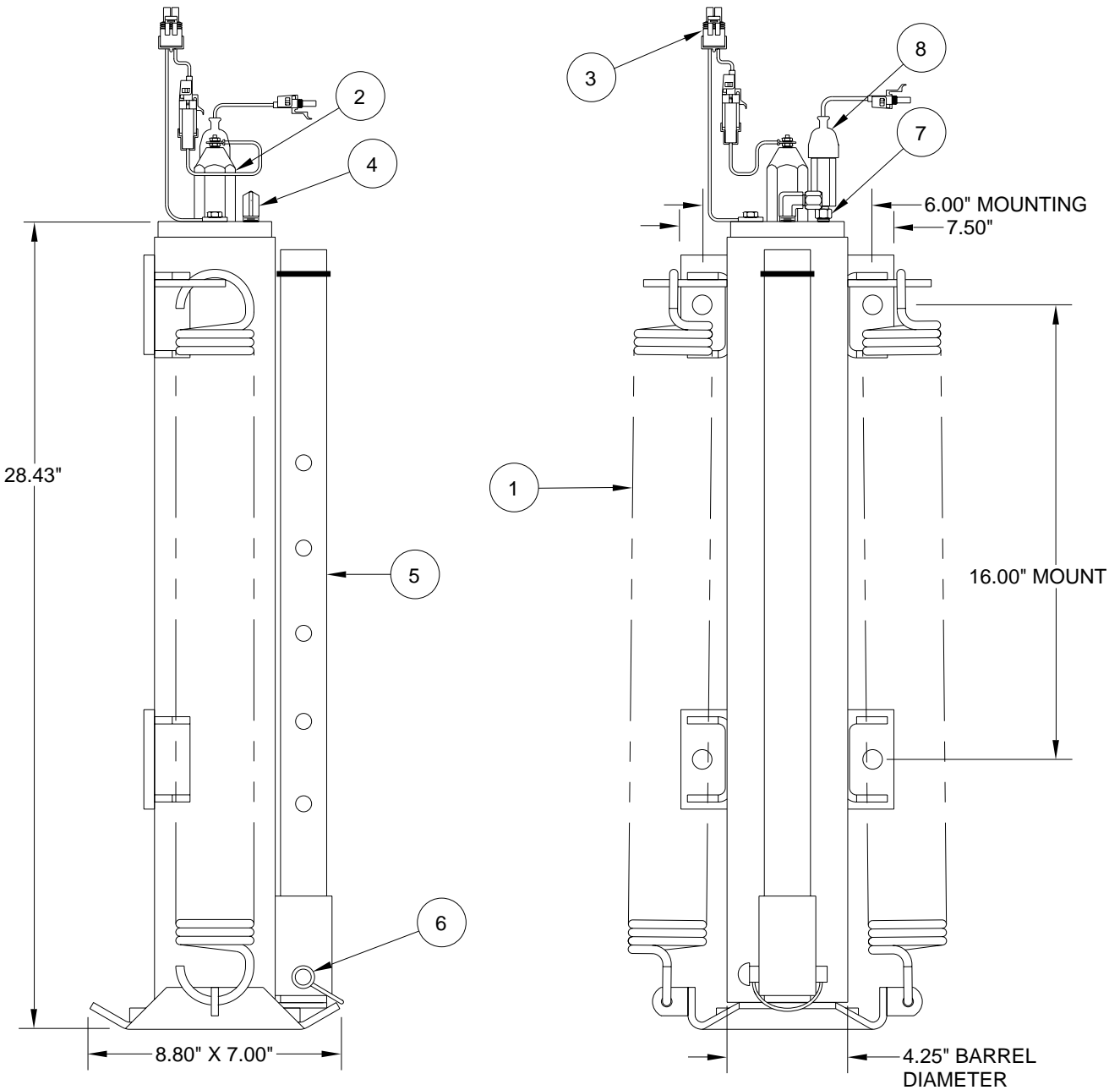
ITEM	PART	QTY	DESCRIPTION
	RAP17855		JACK 18,000 # X 21" FIXED (REPLACES AP17855 / RAP91656)
1	R1905	1	SPRING KIT 2-3/4" X 22.00"
		2	SPRING 2-3/4" X 22.00"
2	RAP4707	1	SWITCH WARNING 2" TRAVEL

ITEM	PART	QTY	DESCRIPTION
3	RAP92382	1	2 WIRE ADAPTER KIT
4	RF1514	1	ELBOW 1/4" X 1/4"
5	RAP0271	1	STOP ROD
6	RAP0281	1	RETAINING PIN

NOTE: INDENTED ITEMS ARE INCLUDED WITH PRECEDING ITEM.

MR25.7000
16OCT20

AP34559 - RAP34559
STRAIGHT-ACTING JACK, FIXED
18,000 # CAPACITY; 3.500" ROD DIAMETER; 21.00" STROKE
USED ON FIFTH WHEEL COACHES



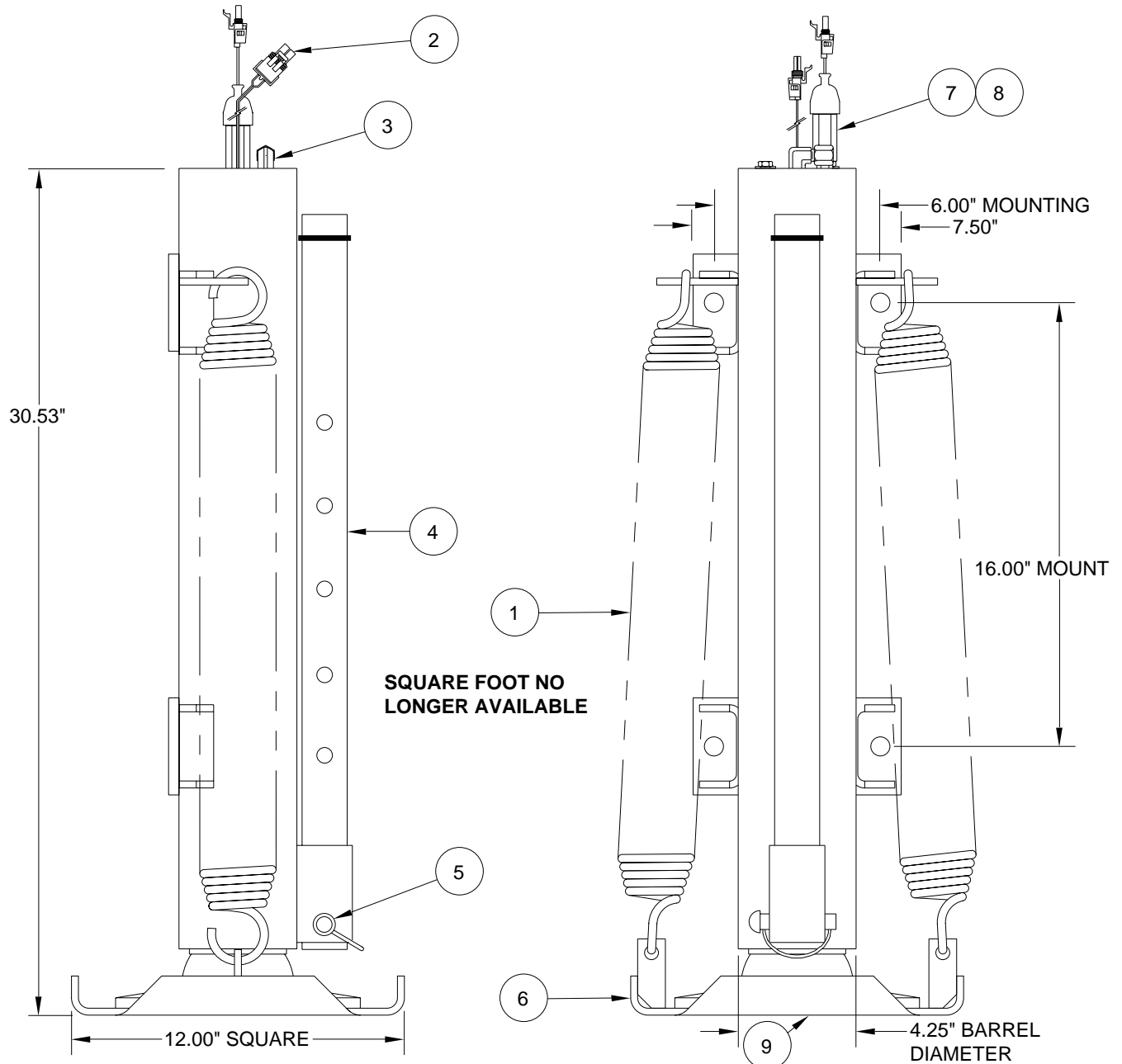
ITEM	PART	QTY	DESCRIPTION
	RAP34559		JACK 18,000 # X 21" FIXED (REPLACES AP34559 / RAP92449)
1	R1905	1	SPRING KIT 2-3/4" X 22.00"
		2	SPRING 2-3/4" X 22.00"
2	RAP4707	1	SWITCH WARNING 2" TRAVEL
3	RAP92382	1	2 WIRE ADAPTER KIT

ITEM	PART	QTY	DESCRIPTION
4	RF1514	1	ELBOW 1/4" X 1/4"
5	RAP0271	1	STOP ROD
6	RAP0281	1	RETAINING PIN
7	RF9315	1	NIPPLE 1/8" X 1/8"
8	RAP8003	1	SWITCH PRESSURE

NOTE: INDENTED ITEMS ARE INCLUDED WITH PRECEDING ITEM.

MR25.7000A
16OCT20

AP37136 - RAP37136
STRAIGHT-ACTING JACK, FIXED
18,000 # CAPACITY; 3.500" ROD DIAMETER; 21.00" STROKE; BOLT-ON FOOT
USED ON FIFTH WHEEL COACHES



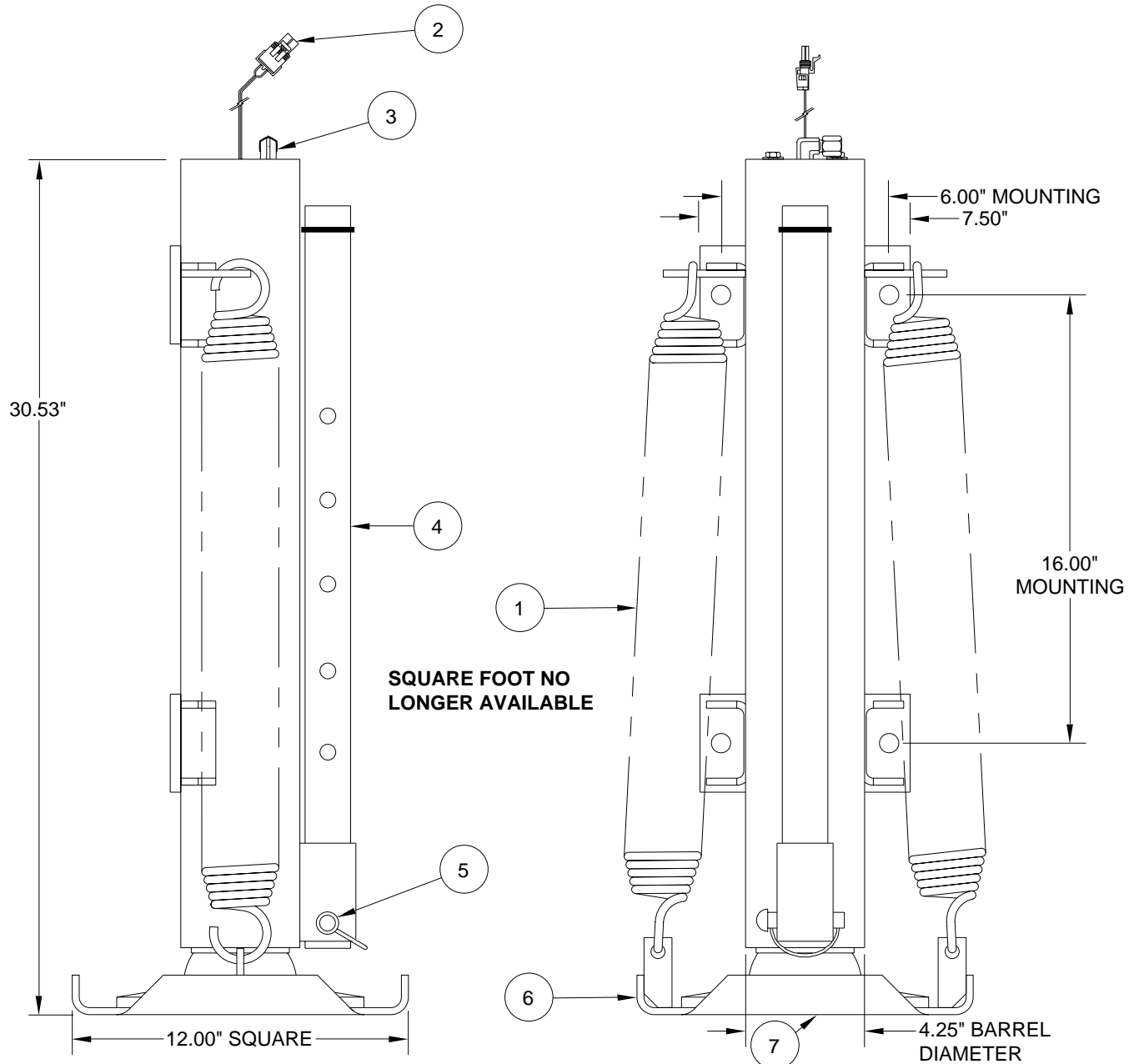
ITEM	PART	QTY	DESCRIPTION
	RAP37136		JACK 18,000 # X 21" FIXED (REPLACES AP37136 / RAP92451)
1	R1905	1	SPRING KIT 2-3/4" X 22.00"
		2	SPRING 2-3/4" X 22.00"
2	RAP26641	1	SWITCH WARNING MAGNETIC GRAY
3	RF3817	1	ELBOW 5/16" X 1/4"
4	RAP0271	1	STOP ROD

ITEM	PART	QTY	DESCRIPTION
5	RAP0281	1	RETAINING PIN
6	RAP40308	1	FOOT 13.4" ROUND (INCLUDES ITEM 9) (REPLACES RAP92055)
7	RF9315	1	NIPPLE 1/8" X 1/8"
8	RAP8003	1	SWITCH PRESSURE
9	RAP92368	1	SPHERE & STUD KIT FOR FOOT

NOTE: INDENTED ITEMS ARE INCLUDED WITH PRECEDING ITEM.

MR25.7005
16OCT20

AP36127 - RAP36127
STRAIGHT-ACTING JACK, FIXED
18,000 # CAPACITY; 3.500" ROD DIAMETER; 21.00" STROKE; BOLT-ON FOOT
USED ON FIFTH WHEEL COACHES

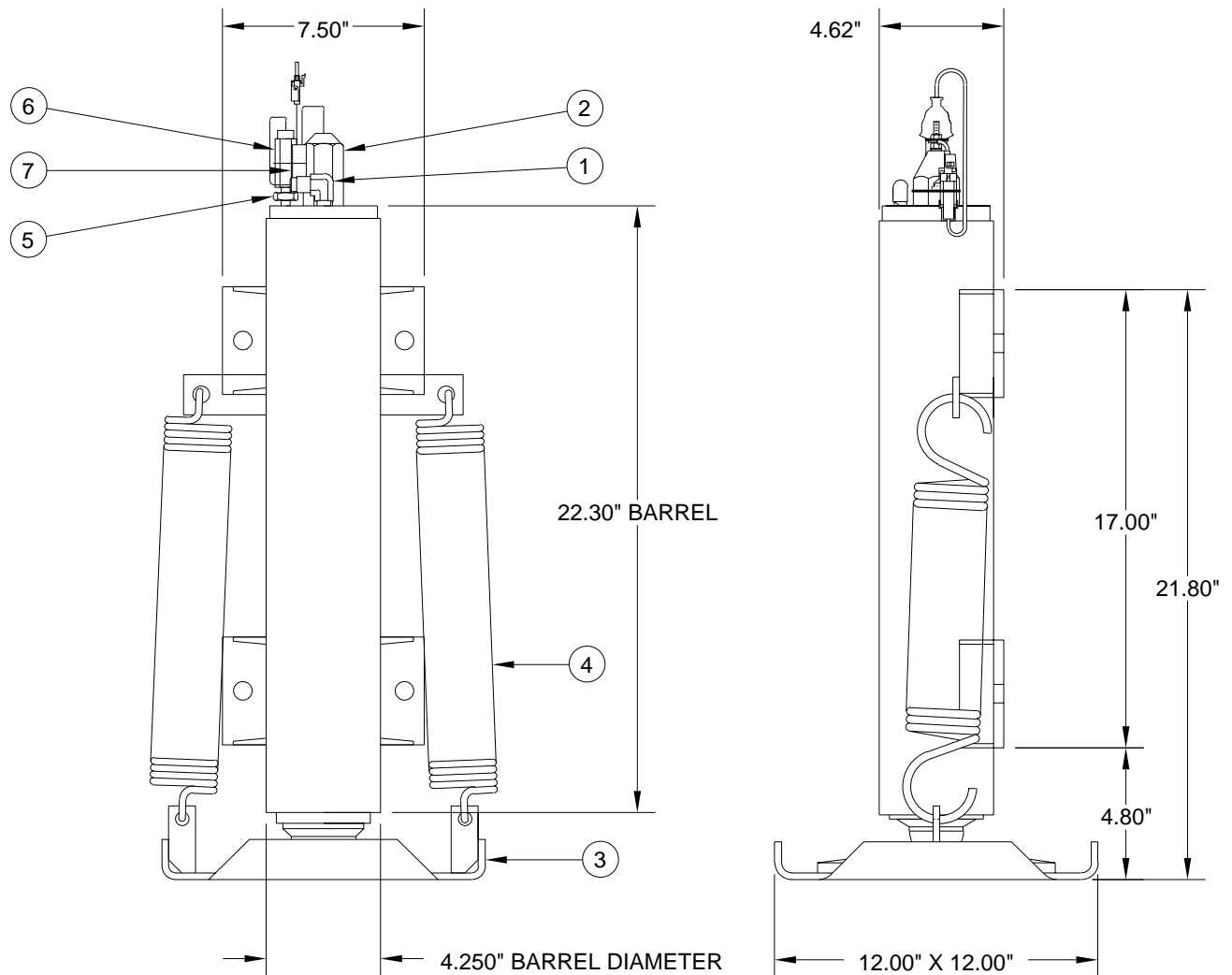


ITEM	PART	QTY	DESCRIPTION	ITEM	PART	QTY	DESCRIPTION
	RAP36127		JACK 18,000 # X 21" FIXED (REPLACES AP36127 / RAP92450)	3	RF3817	1	ELBOW 5/16" X 1/4"
1	R1905	1	SPRING KIT 2-3/4" X 22.00"	4	RAP0271	1	STOP ROD
2	RAP26641	1	SWITCH WARNING MAGNETIC GRAY	5	RAP0281	1	RETAINING PIN
		2	SPRING 2-3/4" X 22.00"	6	RAP40308	1	FOOT 13.4" ROUND (INCLUDES ITEM 7)
				7	RAP92368	1	SPHERE & STUD KIT FOR FOOT (REPLACES RAP92055)

NOTE: INDENTED ITEMS ARE INCLUDED WITH PRECEDING ITEM.

MR25.7005A
16OCT20

AP0465 - RAP0465
STRAIGHT-ACTING JACK, FIXED
24,000 # CAPACITY; 3.5" ROD DIAMETER; 16.00" STROKE
WITH PRESSURE SWITCH AND 2" TRAVEL WARNING SWITCH



ITEM	PART	QTY	DESCRIPTION	ITEM	PART	QTY	DESCRIPTION
	RAP0465		JACK 24,000 # X 16" FIXED (REPLACES AP0465)	4	R2365	1 2	SPRING KIT 2-3/4" X 13-1/2" SPRING 2-3/4" X 13-1/2"
1	RF3817	1	ELBOW 1/4" X 5/16"	5	RF9315	1	NIPPLE 1/8" X 1/8"
2	RAP4707	1	SWITCH WARNING 2" TRAVEL	6	RAP8003	1	SWITCH PRESSURE
3	RAP46782	1	FOOT 13.40" ROUND 12" SQUARE FOOT NO LONGER AVAILABLE (REPLACES RAP5574)	7	RAP9072	1	INTERFACE WARNING/ PRESSURE SWITCH

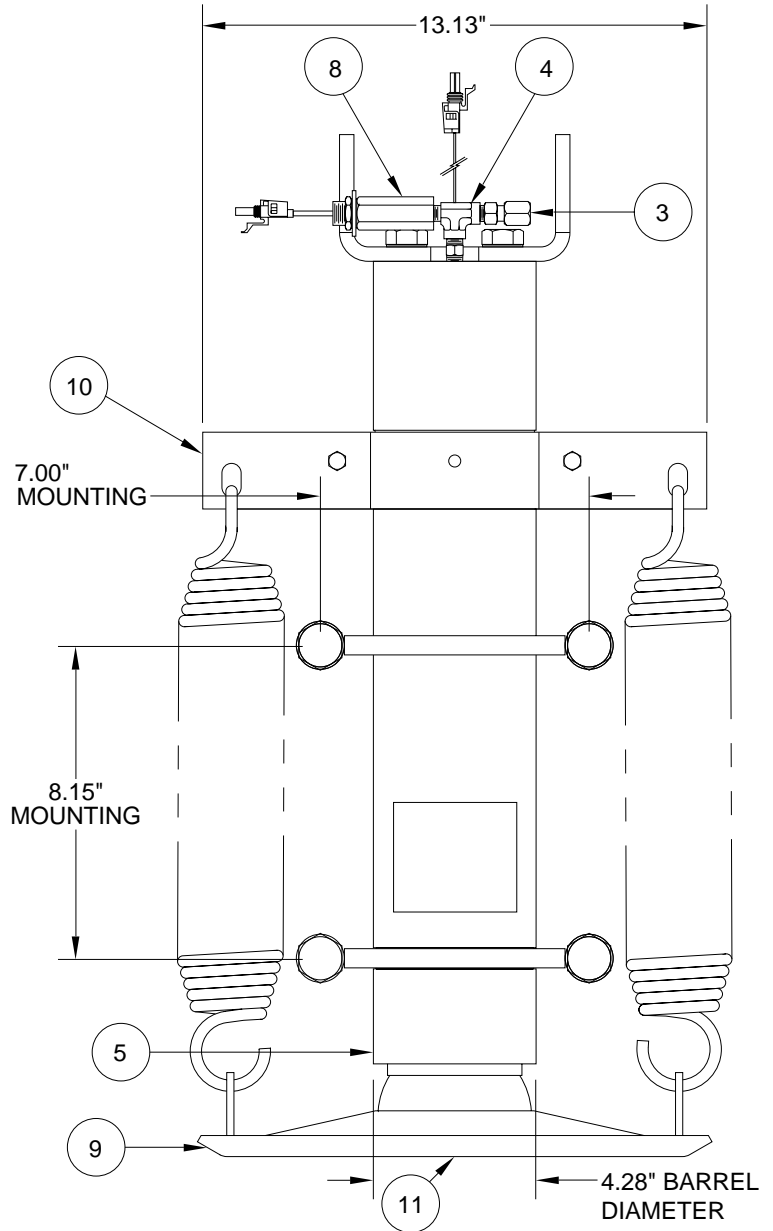
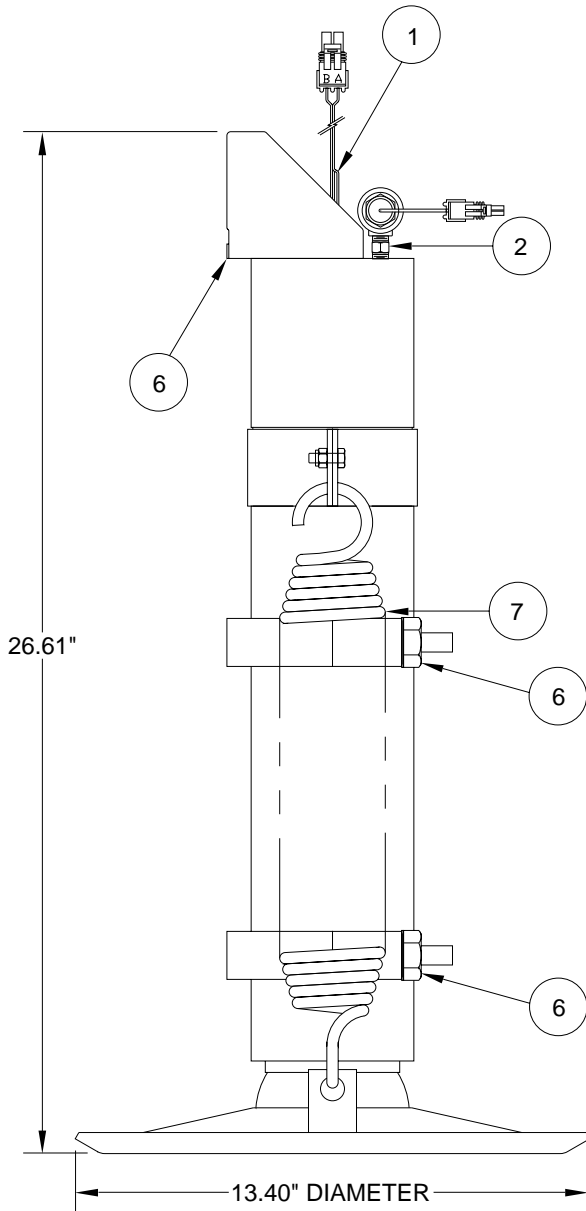
NOTE: INDENTED ITEMS ARE INCLUDED WITH PRECEDING ITEM.

MR25.8100
16OCT20

AP48520 - RAP48520

STRAIGHT-ACTING JACK, FIXED

24,000 # CAPACITY; 3.500" ROD DIAMETER; 13.00" STROKE; BOLT-ON FOOT WITH MAGNETIC WARNING SWITCH AND PRESSURE SWITCH



ITEM	PART	QTY	DESCRIPTION
------	------	-----	-------------

	RAP48520		JACK 24,000 # X 13" FIXED (REPLACES AP48520)
1	RAP26641	1	SWITCH WARNING MAGNETIC GRAY
2	RF9315	1	NIPPLE 1/8"
3	RF0731	1	MALE CONNECTOR 1/8" X 5/16"
4	RF11264	1	STREET TEE 1/8"
5	RAP52691	1	CYL. ASSY. 3.50" x 13" (EXCLUDES ITEMS 1-4,6-11)

ITEM	PART	QTY	DESCRIPTION
------	------	-----	-------------

6	RAP93050	1	MOUNTING BRACKETS (INCLUDES HARDWARE)
7	R2365	1	SPRING KIT 2-3/4" X 13-1/2"
		2	SPRING 2-3/4" X 13-1/2"
8	RAP8003	1	SWITCH PRESSURE
9	RAP40308	1	FOOT 13.4" DIAMETER (INCLUDES ITEM 11) (REPLACES RAP92937)
10	RAP93282	1	SPRING BRACKET KIT
11	RAP92368	1	SPHERE & STUD KIT FOR FOOT

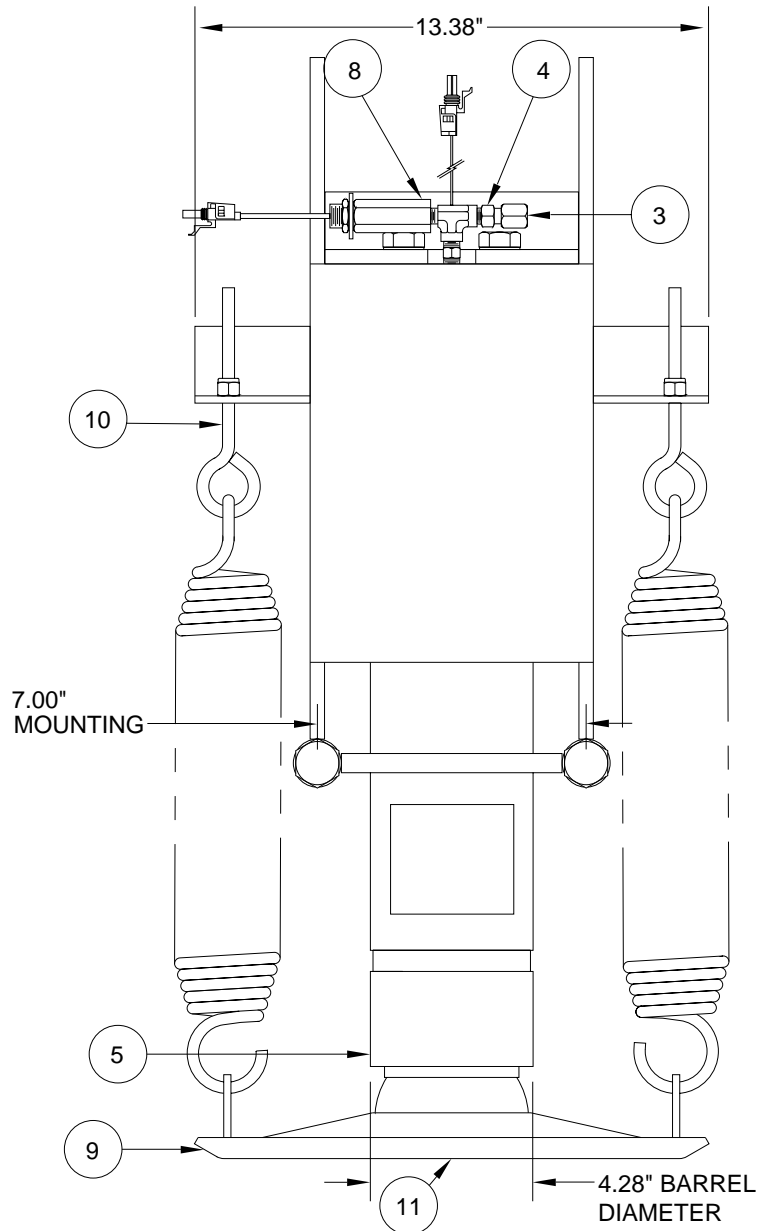
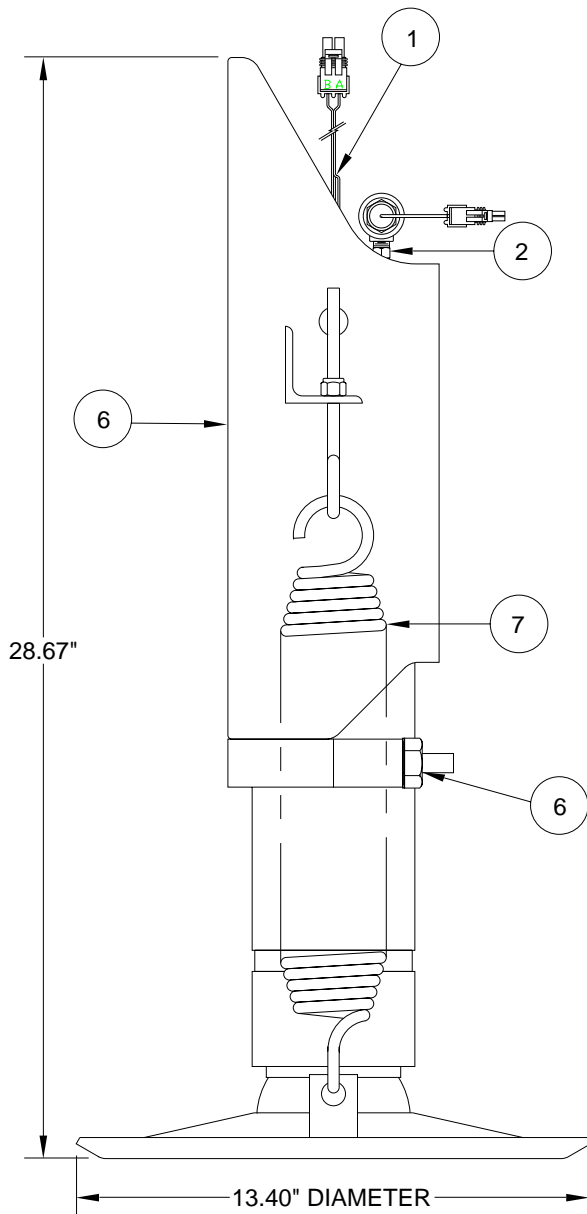
NOTE: INDENTED ITEMS ARE INCLUDED WITH PRECEDING ITEM.

MR25.8105
16OCT20

AP50072 - RAP50072

STRAIGHT-ACTING JACK, FIXED

24,000 # CAPACITY; 3.500" ROD DIAMETER; 13.00" STROKE; BOLT-ON FOOT WITH MAGNETIC WARNING SWITCH AND PRESSURE SWITCH



ITEM	PART	QTY	DESCRIPTION
	RAP50072		JACK 24,000 # X 13" FIXED (REPLACES AP50072)
1	RAP26641	1	SWITCH WARNING MAGNETIC GRAY
2	RF9315	1	NIPPLE 1/8"
3	RF0731	1	MALE CONNECTOR 1/8" X 5/16"
4	RF11264	1	STREET TEE 1/8"
5	RAP48375	1	CYL. ASSY. 3.50" x 13" (EXCLUDES ITEMS 1-4,6-11) (REPLACES RAP92872)
6	RAP93129	1	MOUNTING BRACKETS (INCLUDES HARDWARE) (EXCLUDES ITEM #10)

ITEM	PART	QTY	DESCRIPTION
7	R2365	1	SPRING KIT 2-3/4" X 13-1/2"
		2	SPRING 2-3/4" X 13-1/2"
8	RAP8003	1	SWITCH PRESSURE
9	RAP40308	1	FOOT 13.4" DIAMETER (INCLUDES ITEM 11) (REPLACES RAP92937)
10	R5491	2	EYE BOLT KIT
		1	3/8-16 X 6.00" EYE BOLT
		1	3/8-16 ESNA LOCK NUT
11	RAP92368	1	SPHERE & STUD KIT FOR FOOT

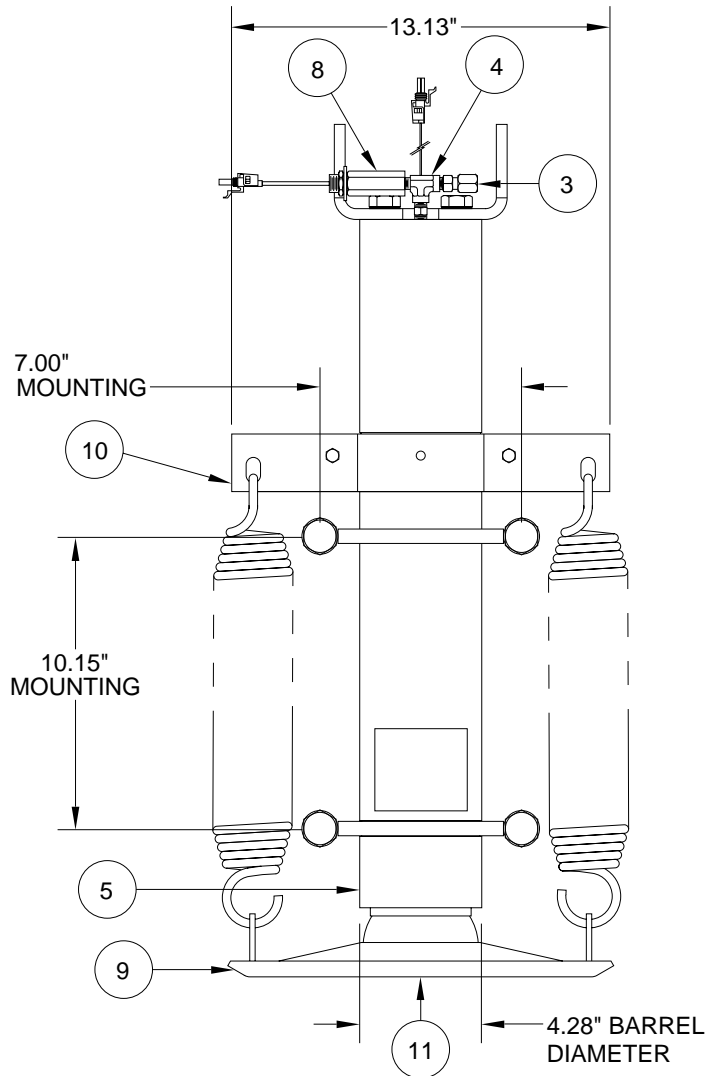
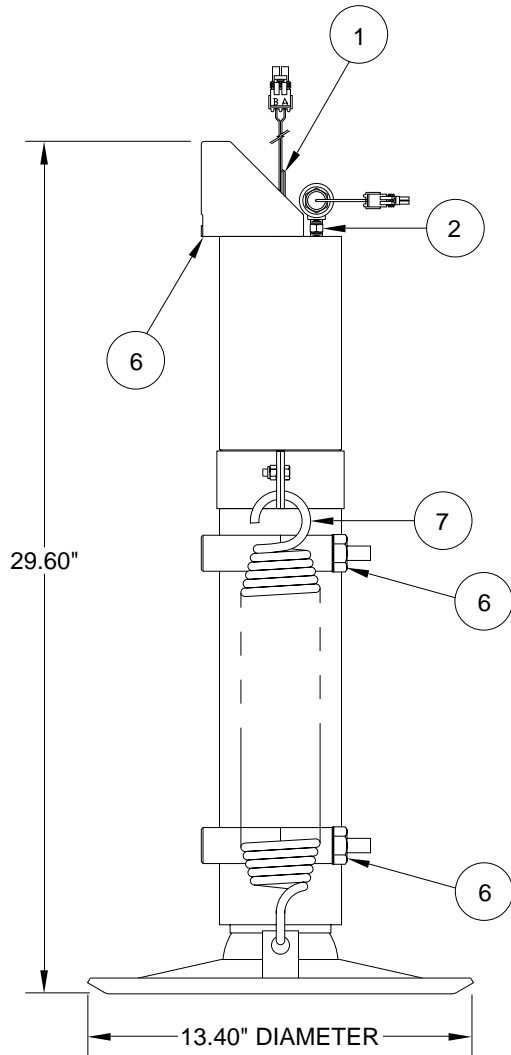
NOTE: INDENTED ITEMS ARE INCLUDED WITH PRECEDING ITEM.

MR25.8106
16OCT20

AP50831 - RAP50831

STRAIGHT-ACTING JACK, FIXED

24,000 # CAPACITY; 3.500" ROD DIAMETER; 16.00" STROKE; BOLT-ON FOOT WITH MAGNETIC WARNING SWITCH AND PRESSURE SWITCH



ITEM	PART	QTY	DESCRIPTION
	RAP50831		JACK 24,000 # X 16" FIXED (REPLACES AP50831)
1	RAP26641	1	SWITCH WARNING MAGNETIC GRAY
2	RF9315	1	NIPPLE 1/8"
3	RF0731	1	MALE CONNECTOR 1/8" X 5/16"
4	RF11264	1	STREET TEE 1/8"
5	RAP50830	1	CYL. ASSY. 3.50" x 16" (EXCLUDES ITEMS 1-4,6-10) (REPLACES RAP93280)

ITEM	PART	QTY	DESCRIPTION
6	RAP93050	1	MOUNTING BRACKETS (INCLUDES HARDWARE)
7	R2365	1	SPRING KIT 2-3/4" X 13-1/2"
		2	SPRING 2-3/4" X 13-1/2"
8	RAP8003	1	SWITCH PRESSURE
9	RAP40308	1	FOOT 13.4" DIAMETER (INCLUDES ITEM 11) (REPLACES RAP92937)
10	RAP93282	1	SPRING BRACKET KIT
11	RAP92368	1	SPHERE & STUD KIT FOR FOOT

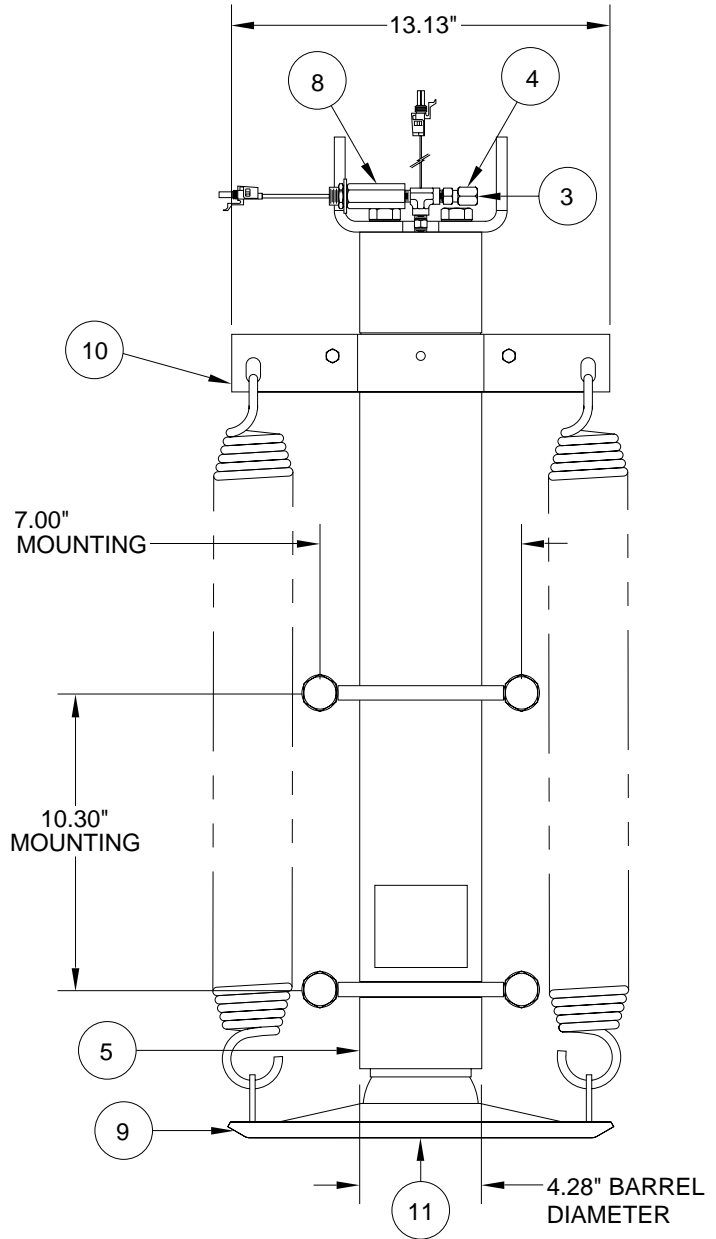
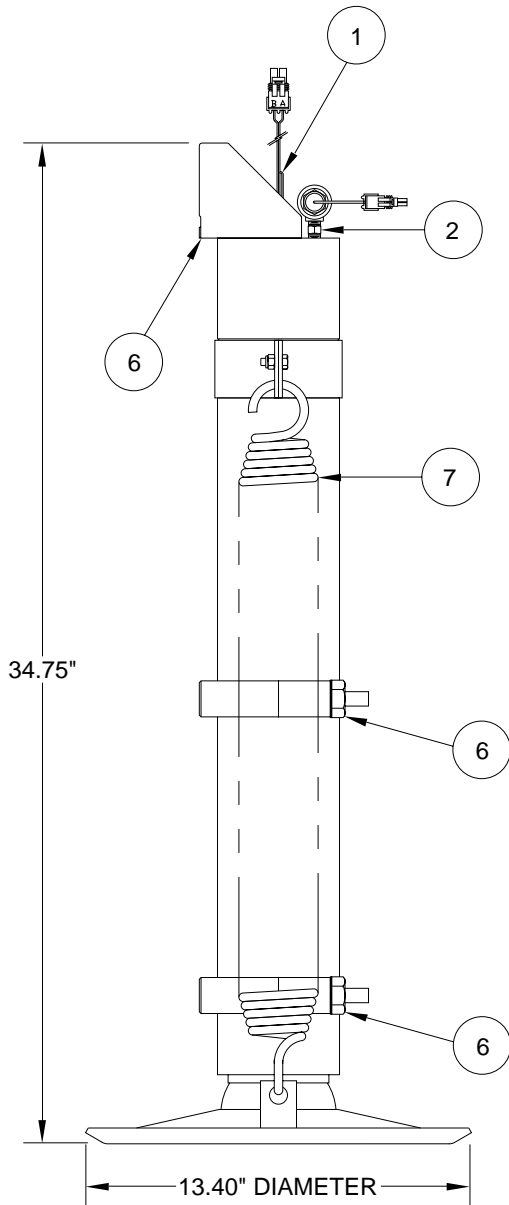
NOTE: INDENTED ITEMS ARE INCLUDED WITH PRECEDING ITEM.

**MR25.8107
19OCT20**

AP50834 - RAP50834

STRAIGHT-ACTING JACK, FIXED

24,000 # CAPACITY; 3.500" ROD DIAMETER; 21.00" STROKE; BOLT-ON FOOT WITH MAGNETIC WARNING SWITCH AND PRESSURE SWITCH



ITEM	PART	QTY	DESCRIPTION
------	------	-----	-------------

	RAP50834		JACK 24,000 # X 21" FIXED (REPLACES AP50834)
1	RAP26641	1	SWITCH WARNING MAGNETIC GRAY
2	RF9315	1	NIPPLE 1/8"
3	RF0731	1	MALE CONNECTOR 1/8" X 5/16"
4	RF11264	1	STREET TEE 1/8"
5	RAP50833	1	CYL. ASSY. 3.50" x 21" (EXCLUDES ITEMS 1-4,6-10) (REPLACES RAP93281)

ITEM	PART	QTY	DESCRIPTION
------	------	-----	-------------

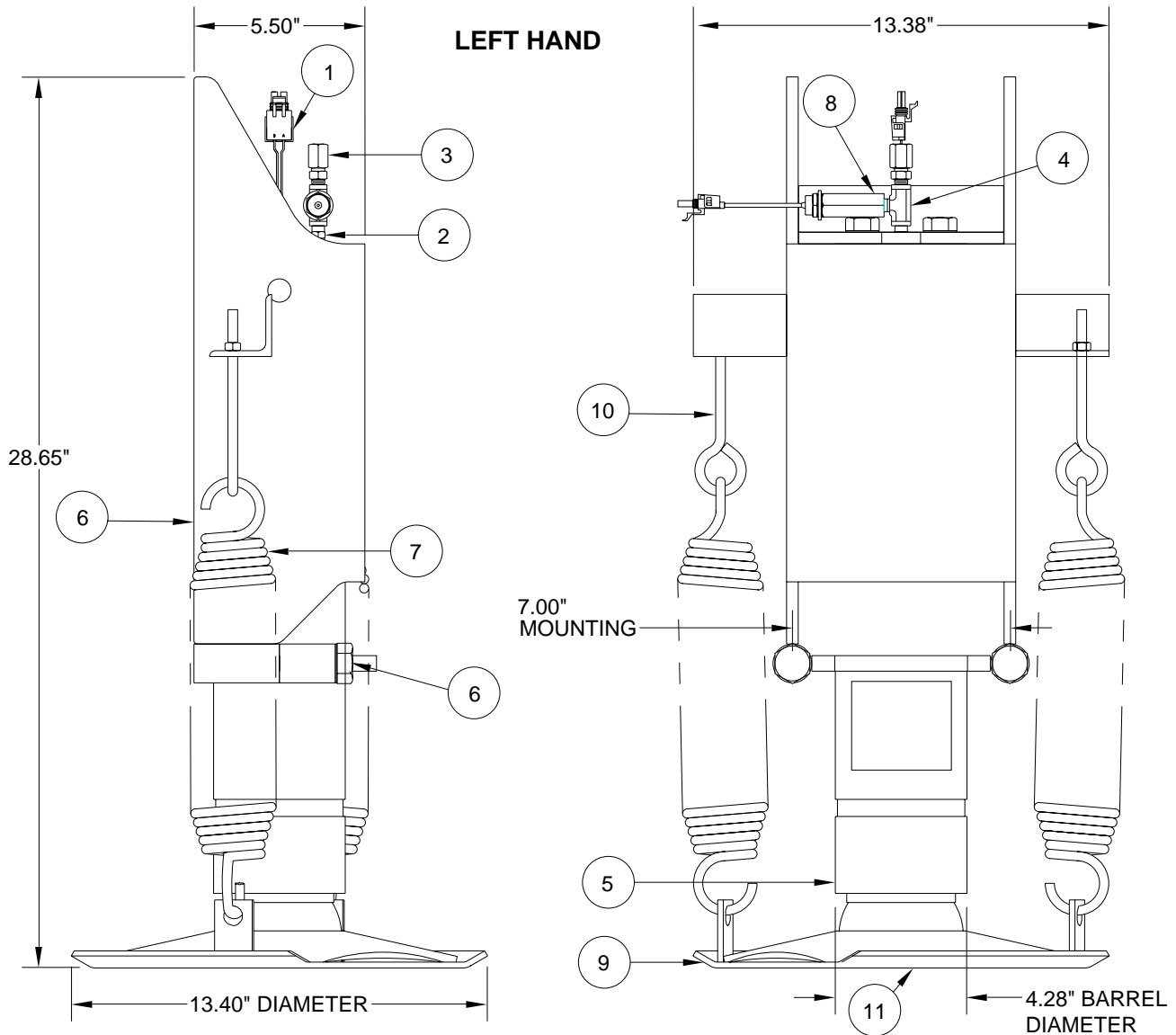
6	RAP93050	1	MOUNTING BRACKETS (INCLUDES HARDWARE)
7	R1905	1 2	SPRING KIT 2-3/4" X 22" SPRING 2-3/4" X 22"
8	RAP8003	1	SWITCH PRESSURE
9	RAP40308	1	FOOT 13.4" DIAMETER (INCLUDES ITEM 11) (REPLACES RAP92937)
10	RAP93282	1	SPRING BRACKET KIT
11	RAP92368	1	SPHERE & STUD KIT FOR FOOT

NOTE: INDENTED ITEMS ARE INCLUDED WITH PRECEDING ITEM.

**MR25.8108
19OCT20**

AP54671 - RAP54671

STRAIGHT-ACTING JACK, FIXED, F/A SPRINGS - LEFT HAND 24,000 # CAPACITY; 3.500" ROD DIAMETER; 13.00" STROKE; BOLT-ON FOOT



ITEM	PART	QTY	DESCRIPTION
	RAP54671		JACK 24,000 # X13" FIXED (REPLACES AP54671)
1	RAP26641	1	SWITCH WARNING MAGNETIC GRAY
2	RF9315	1	NIPPLE 1/8"
3	RF0731	1	MALE CONN 1/8" X 5/16"
4	RF52679	1	BRANCH TEE 1/8"
5	RAP48375	1	CYL. ASSY. 3.50" x 13" (INCLUDES ITEMS 2,3,4 ONLY) (REPLACES RAP92872)
6	RAP54673	1	MOUNTING BRKT - LH (INCLUDES HARDWARE) (EXCLUDES ITEM #10)

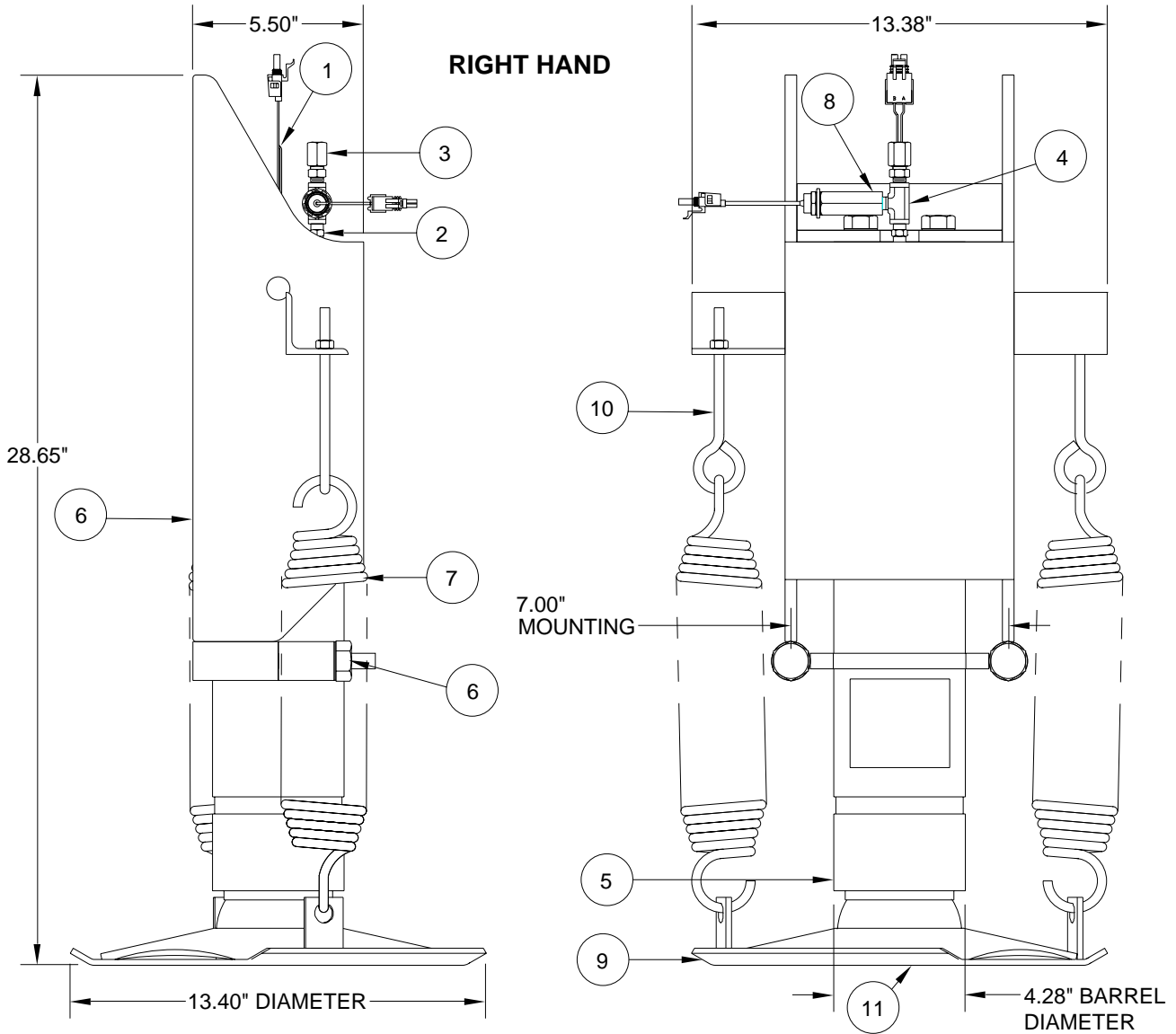
ITEM	PART	QTY	DESCRIPTION
7	R2365	1	SPRING KIT 2-3/4" X 13-1/2"
		2	SPRING 2-3/4" X 13-1/2"
8	RAP8003	1	SWITCH PRESSURE
9	RAP54674	1	FOOT 13.4" DIA. - LH (INCLUDES ITEM 11)
10	R5491	2	EYE BOLT KIT
		1	3/8-16 X 6.00" EYE BOLT
		1	3/8-16 ESNA LOCK NUT
11	RAP92368	1	SPHERE & STUD KIT FOR FOOT

NOTE: INDENTED ITEMS ARE INCLUDED WITH PRECEDING ITEM.

**MR25.8109
19OCT20**

AP54672 - RAP54672

STRAIGHT-ACTING JACK, FIXED, F/A SPRINGS, RIGHT HAND
24,000 # CAPACITY; 3.500" ROD DIAMETER; 13.00" STROKE; BOLT-ON FOOT



ITEM	PART	QTY	DESCRIPTION
	RAP54762		JACK 24,000 # X13" FIXED (REPLACES AP54672)
1	RAP26641	1	SWITCH WARNING MAGNETIC GRAY
2	RF9315	1	NIPPLE 1/8"
3	RF0731	1	MALE CONN 1/8" X 5/16"
4	RF52679	1	BRANCH TEE 1/8"
5	RAP48375	1	CYL. ASSY. 3.50" x 13" (INCLUDES ITEMS 2,3,4 ONLY) (REPLACES RAP92872)

ITEM	PART	QTY	DESCRIPTION
6	RAP54675	1	MOUNTING BRKT - RH (INCLUDES HARDWARE) (EXCLUDES ITEM #10)
7	R2365	1	SPRING KIT 2-3/4" X 13-1/2"
		2	SPRING 2-3/4" X 13-1/2"
8	RAP8003	1	SWITCH PRESSURE
9	RAP54676	1	FOOT 13.4" DIA. - RH (INCLUDES ITEM 11)
10	R5491	2	EYE BOLT KIT
		1	3/8-16 X 6.00" EYE BOLT
		1	3/8-16 ESNA LOCK NUT
11	RAP92368	1	SPHERE & STUD KIT FOR FOOT

NOTE: INDENTED ITEMS ARE INCLUDED WITH PRECEDING ITEM.

MR25.8109A
19OCT20