

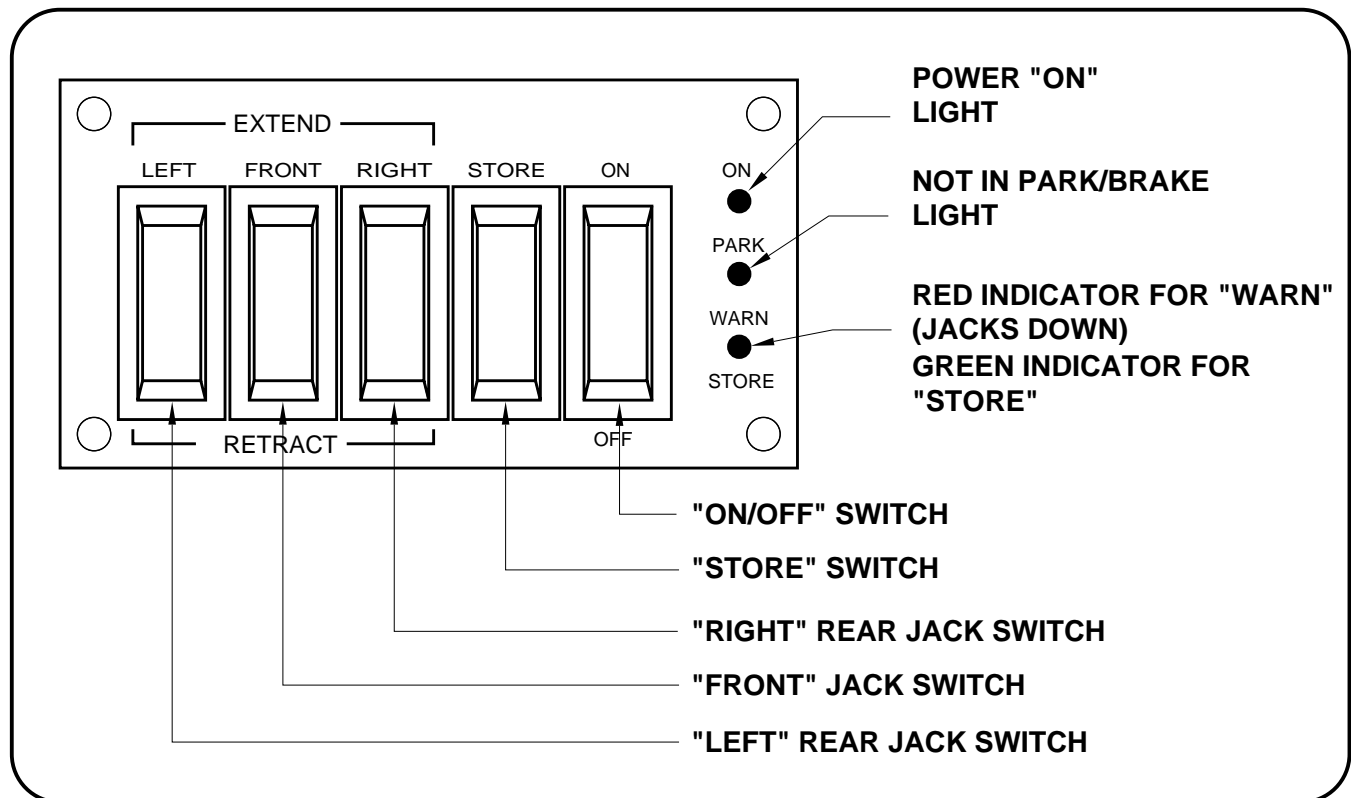
---

# SAFARI

## ROCKER SWITCH-CONTROLLED HYDRAULIC LEVELING SYSTEM WITH THREE STRAIGHT-ACTING JACKS

---

**CAUTION:** READ AND UNDERSTAND ENTIRE OPERATOR'S MANUAL INCLUDING CAUTIONS, BEFORE OPERATING. THIS SHEET IS FOR QUICK REFERENCE ONLY.



### LEVELING PROCEDURE

1. PARK BRAKE MUST BE SET. GEAR SELECTOR MUST BE IN PARK POSITION.
2. TURN IGNITION SWITCH TO "ON" OR "ACC".
3. PUSH "ON/OFF" SWITCH TOWARD THE "ON".
4. EXTEND JACKS TO RAISE THE COACH BY PUSHING EXTEND/RETRACT SWITCHES TOWARD EXTEND. JACKS WILL EXTEND ONLY WHILE SWITCH IS HELD IN THE EXTEND POSITION. LEVEL COACHES ACCORDING TO BUBBLE LEVEL.  
**IMPORTANT: EXTEND REAR JACKS FIRST FOR RIGHT TO LEFT LEVELING. COACH MUST BE LEVEL SIDE TO SIDE BEFORE EXTENDING THE FRONT JACK.**
5. AFTER COACH IS LEVEL, EXTEND REMAINING JACKS TO TOUCH THE GROUND TO STABILIZE THE COACH.
6. TURN OFF ROCKER SWITCH AND IGNITION SWITCH.

(CONTINUED)

ML1326/MP35.9933  
31JUL97

---

**SAFARI**  
**ROCKER SWITCH-CONTROLLED HYDRAULIC LEVELING**  
**SYSTEM WITH THREE STRAIGHT-ACTING JACKS (CONT'D)**

---

**STORE OPERATION**

1. TURN IGNITION SWITCH TO "ON", "ACC" OR START ENGINE.
2. PUSH THE "ON/OFF" SWITCH TOWARD "ON".
3. PUSH THE STORE SWITCH TOWARD "STORE".
4. ALL JACKS WILL AUTOMATICALLY RETRACT. WHEN ALL JACKS HAVE RETRACTED, THE RED "WARN" LIGHT WILL TURN TO GREEN. TRAVEL IS PERMISSIBLE WHEN THE GREEN "STORE" LIGHT IS ON.

**CAUTION:** DO NOT RELY SOLELY UPON THE "WARN" LIGHT. IT IS THE OWNERS RESPONSIBILITY TO CHECK THAT ALL JACKS ARE UP BEFORE MOVING THE VEHICLE.

**CAUTION:** DO NOT MOVE THE VEHICLE WHILE THE JACKS ARE STILL IN CONTACT WITH THE GROUND OR IN THE EXTENDED POSITION. THIS COACH IS EQUIPPED WITH STATIONARY JACKS. MOVING THE VEHICLE WITH THE JACKS EXTENDED CAN CAUSE SEVERE DAMAGE TO THE JACKS AND OR THE COACH AND CREATE A DRIVING HAZARD.

5. THE SYSTEM WILL AUTOMATICALLY SHUT ITSELF OFF.
6. TURN IGNITION SWITCH "OFF" OR PROCEED TO TRAVEL.