

MAX FLOOR THICKNESS OF ROOM 2-1/8"

**GAP BETWEEN FLANGE MOUNTING SURFACE AND
ROOM FLOOR RETRACTED IS 1-3/8"**

**MAX THICKNESS OF FLOOR TREATMENT AND FLOORING
MOUNTING SURFACE IS 5/8"**

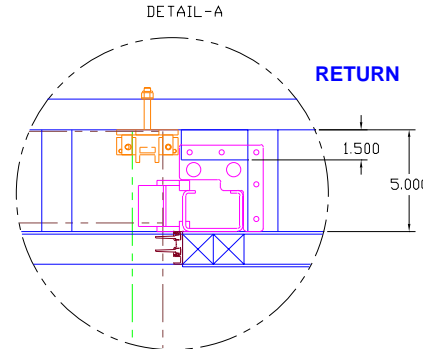
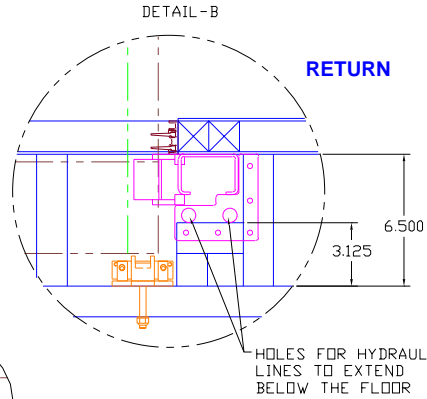
**ROOM MUST BE SUPPORTED WHEN
EXTENDED AND DOWN**

**THIS INFORMATION IS GENERIC. IF YOU HAVE QUESTIONS
OR WANT TO MAKE DEVIATIONS PLEASE CONTACT
HWH ENGINEERING**

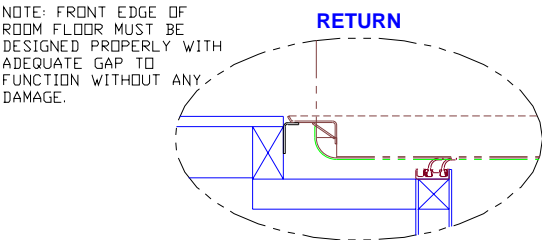
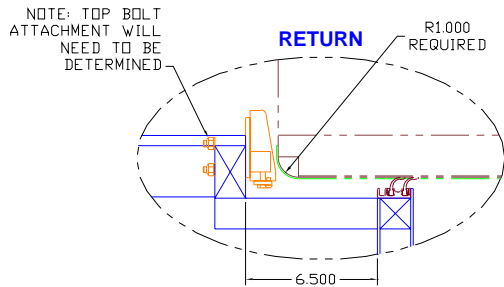
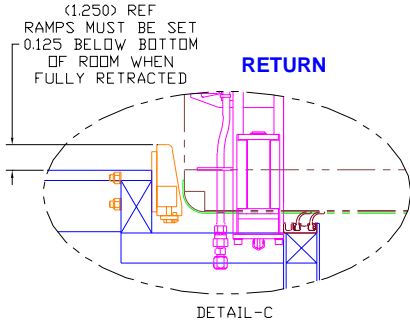
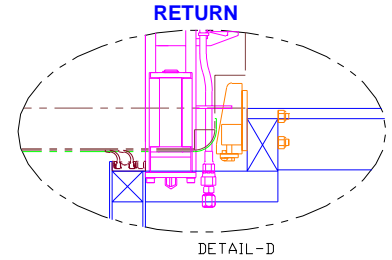
[CLICK TO CONTINUE](#)

CLICK EACH IMAGE TO ZOOM IN - CLICK RETURN TO ZOOM OUT

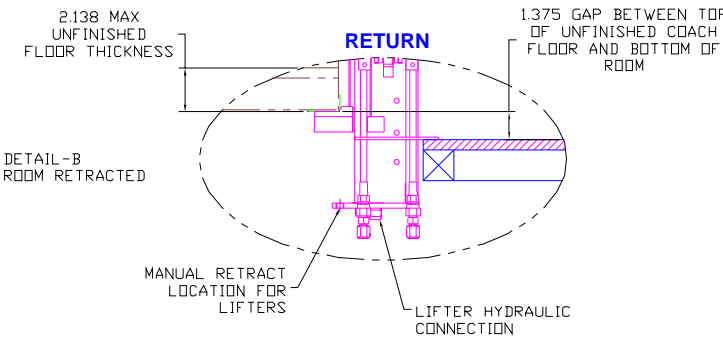
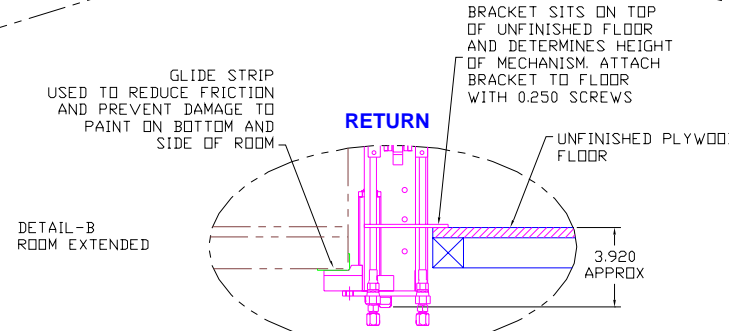
THIS SECTION SHOWS AN EXAMPLE FRAME DESIGNED WITH RAMPS SET IN FRONT OF ROOM.



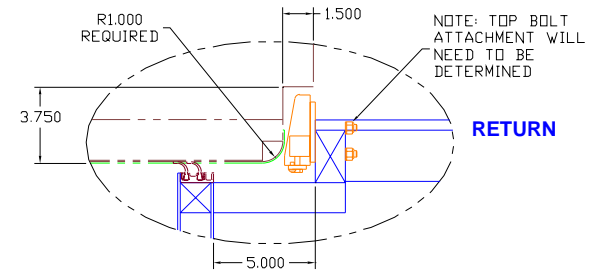
THIS SECTION SHOWS AN EXAMPLE FRAME DESIGNED WITH RAMPS SET UNDER SIDES OF ROOM.



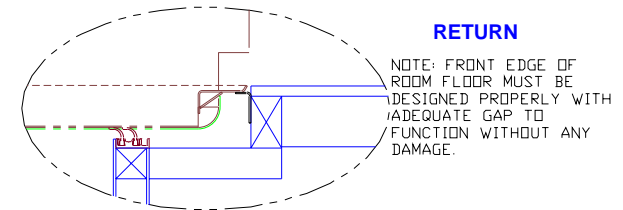
DETAIL-C
VIEW SHOWS FLOOR SUPPORT ALONG FRONT
EDGE OF ROOM BETWEEN RAMPS.



NOTE: ACCESS MUST BE PROVIDED TO REMOVE LIFT CYLINDER FROM UNDER MECHANISM. ACCESS MUST ALSO BE PROVIDED TO ADJUST RAMP ASSEMBLIES AND ALSO PROVIDE ENOUGH SPACE TO MANUALLY RETRACT ROOM BY INSERTING A 3/8-16 BOLT UP THROUGH THE BOTTOM PLATE AND PUSHING LIFTERS UP.



DETAIL-D
MECHANISM OMITTED FOR CLARITY



DETAIL-D
VIEW SHOWS FLOOR SUPPORT ALONG FRONT
EDGE OF ROOM BETWEEN RAMPS.

		HWH		1-80 EXIT 267 SOUTH RT 1 MDCOV, IOWA 52760	
		SCALE 1:3		DATE 06NOV06	
		3.5 ULD FRAME B		DRAWING NUMBER	
IND.	DATE	REVISION			
THE INFORMATION DISCLOSED ON THIS DRAWING IS CONFIDENTIAL AND MUST NOT BE DISCLOSED OR USED IN ANY MANNER WHICH WILL BE DETRIMENTAL TO THE HWH CORPORATION					
			DRAWING NUMBER LAYOUT B/D		