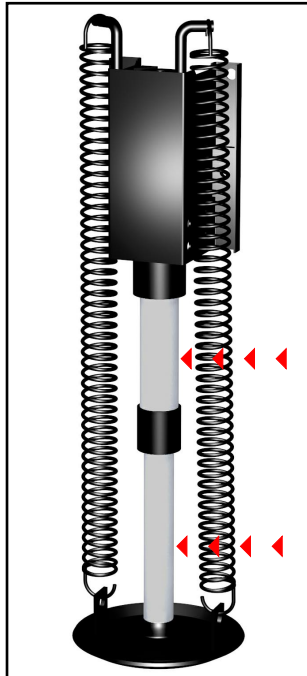


# HWH® Straight-Acting/Pivoting (Power-Extend/Spring-Retract) Jack 4,000 lb. lift capacity each jack

## *Straight-Acting Telescoping Jacks* *Now Available for Class C's*



◀ *Telescoping Jack* shown in the fully extended position.

The upper cylinder extends fully then the lower (telescoping) cylinder extends, providing extra lift without requiring extra mounting clearance.

◀ ◀ ◀ **Upper Cylinder**

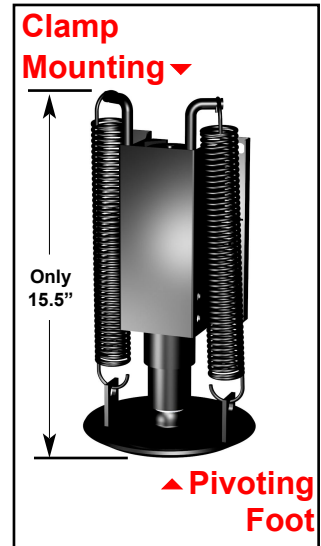
◀ ◀ ◀ **Lower (Telescoping) Cylinder**

*Telescoping Jack* shown in the fully retracted position. ▶

Measures only 15.5" top-to-bottom and telescopes to 28.5 inches.

Easy clamp-on mounting - no holes to drill!

Pivoting foot is bolted to rod.



### **HWH Telescoping Jacks**

Include the following features...

- Designed to fit Class C RVs and small commercial vehicles
- Telescoping action allows for installation on low-clearance applications
- Large foot pads allow for maximum stability
- Front utilizes the 4,000 lb. Telescoping Jacks (pictured) and the rear utilizes our 6,000 lb. straight-acting jacks
- 28 pounds per Jack



(On I-80, Exit 267 South) | 2096 Moscow Road | Moscow, Iowa 52760  
Phone: (800)321-3494 or (563)724-3396 | Fax: (563)724-3408 | Web: [www.HWH.com](http://www.HWH.com)

*Made in the USA*



# STRONG, RELIABLE, HYDRAULIC POWER