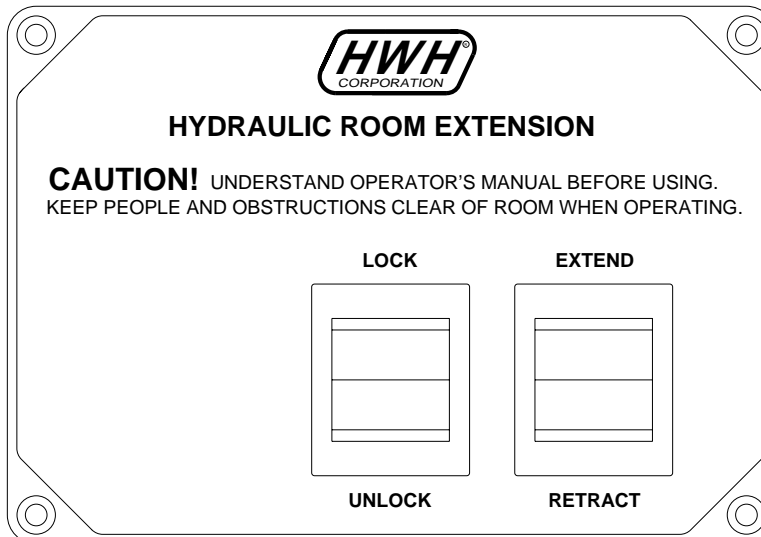




# MANUAL TRAVEL CLAMPS WITH HWH ROOM EXTENSIONS

## **FEATURING:**

*Two Rocker Switch Control Panel  
325/625 Leveling System  
or  
No Leveling System*



## **HWH CORPORATION**

(On I-80, Exit 267 South)

2096 Moscow Road | Moscow, Iowa 52760

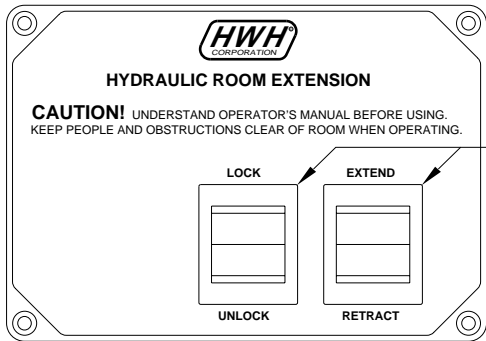
Ph: 800/321-3494 (or) 563/724-3396 | Fax: 563/724-3408

[www.hwh.com](http://www.hwh.com)

# ELECTRICAL CONNECTION DIAGRAM

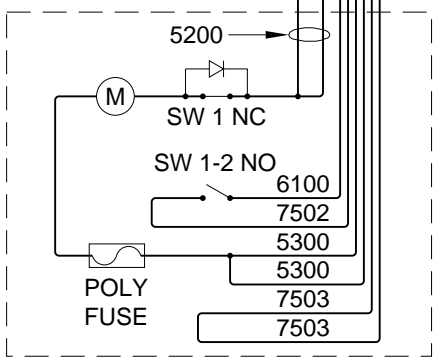
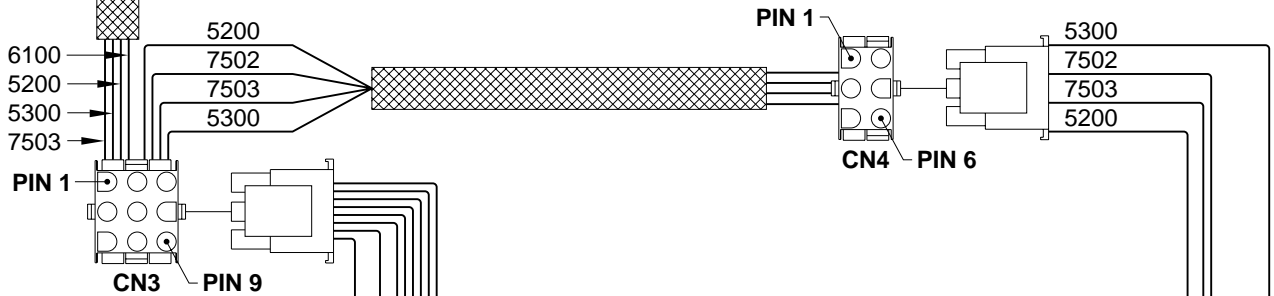
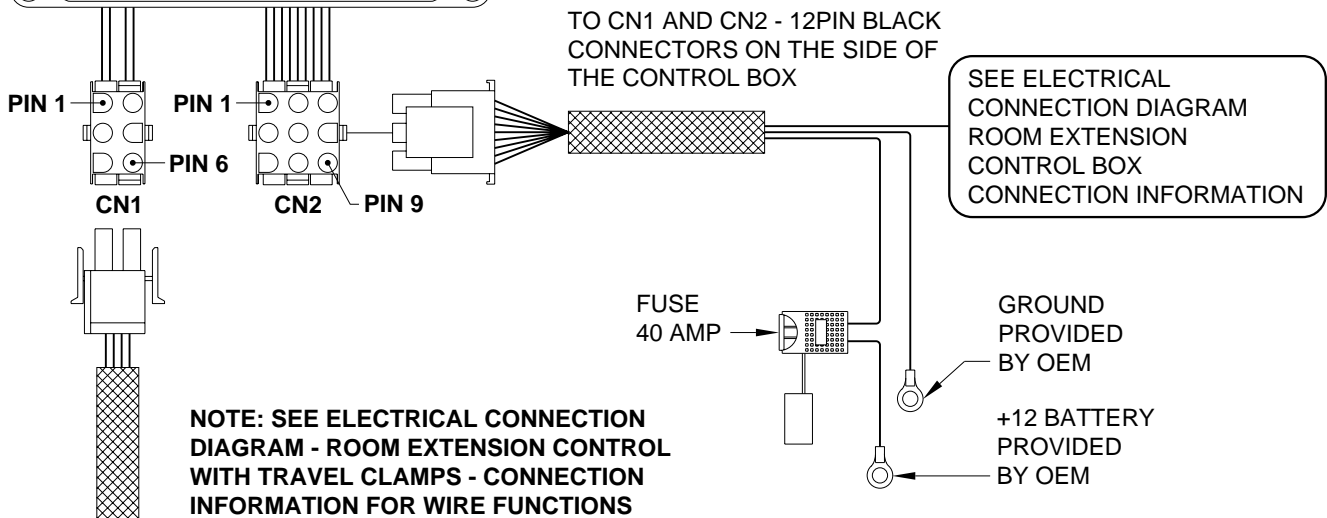
## ROOM EXTENSION CONTROL WITH TRAVEL CLAMPS

### ROOM EXTENSION CONTROL PANEL



**NOTE: THERE IS A SEPARATE PANEL AND HARNESS CONNECTIONS FOR EACH ROOM EXTENSION WITH TRAVEL CLAMPS.**

SEE ELECTRICAL CONNECTION DIAGRAM ROOM EXTENSION CONTROL PANEL SWITCH CONNECTIONS

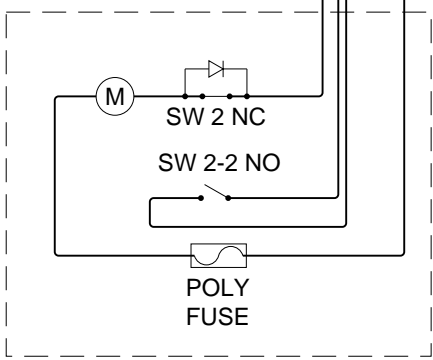


**RIGHT TRAVEL CLAMP**

**NOTE: SW 1 AND SW 2 ARE CLOSED UNTIL THE LOCK IS FULLY RETRACTED.**

**SW 1-2 AND SW 2-2 ARE CLOSED ONLY WHEN THE LOCK IS FULLY RETRACTED.**

**CLAMP POLY FUSES WILL OPEN WHEN TRAVEL CLAMP IS COMPLETELY EXTENDED.**



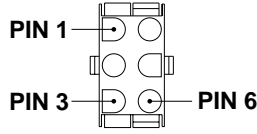
**LEFT TRAVEL CLAMP**

# ELECTRICAL CONNECTION DIAGRAM

## ROOM EXTENSION CONTROL WITH TRAVEL CLAMPS

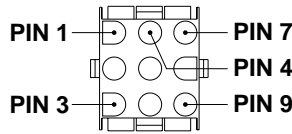
### CONNECTION INFORMATION

**CN1 - 6 PIN UML CONNECTOR**



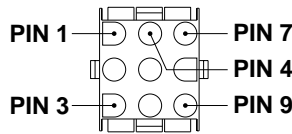
PIN #	WIRE COLOR	WIRE NUMBER	WIRE DESCRIPTION AND FUNCTION
1	RED	6100	+12 BATTERY TO RIGHT CLAMP SWITCH 1-2
2	BLACK	5300	CLAMP MOTOR SUPPLY - UNLOCK (GROUND) - LOCK (+12)
3	BLACK	5200	CLAMP MOTOR SUPPLY - UNLOCK (+12) - LOCK (GROUND)
4	BLACK	7503	+12 VOLTS TO ROOM CONTROL SWITCH - PUMP CONTROL
5 AND 6			NO CONNECTION

**CN2 - 9 PIN UML CONNECTOR**



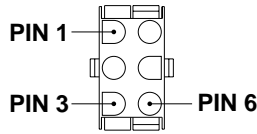
PIN #	WIRE COLOR	WIRE NUMBER	WIRE DESCRIPTION AND FUNCTION
1 AND 2	WHITE	6230	GROUND TO ROOM CLAMP CONTROL SWITCH
3 AND 4	RED	6100	+12 BATTERY TO ROOM CONTROL SWITCHES
5	BLACK	5000	SWITCHED +12 TO CONTROL BOX FOR ROOM CYL EXT SOL VALVE
6	BLACK	5100	SWITCHED +12 TO CONTROL BOX FOR ROOM CYL RET SOL VALVE
7	BLACK	8601	SWITCHED +12 FOR PUMP CONTROL FROM ROOM CONTROL SWITCH
8 AND 9	RED	6810	SWITCHED +12 FROM PUMP RELAY TO ROOM CONTROL SWITCH

**CN3 - 9 PIN UML CONNECTOR**



PIN #	WIRE COLOR	WIRE NUMBER	WIRE DESCRIPTION AND FUNCTION
1	BLACK	5200	RIGHT CLAMP MOTOR SUPPLY - UNLOCK (+12) - LOCK (GROUND)
2	RED	6100	+12 VOLTS TO RIGHT CLAMP SWITCH 1-2
3	BLACK	7502	SWITCHED +12V FROM RIGHT CLAMP SW 1-2 TO LEFT CLAMP SWITCH 2-2
4	BLACK	7503	SWITCHED +12V FROM LEFT CLAMP SWITCH 2-2 TO ROOM CONTROL SWITCH
5	BLACK	5300	RIGHT CLAMP MOTOR SUPPLY - UNLOCK (GROUND) - LOCK (+12)
6	BLACK	5300	TO LEFT CLAMP MOTOR SUPPLY - UNLOCKED (GROUND) - LOCK (+12)
7	BLACK	7503	SWITCHED +12 VOLTS FROM LEFT CLAMP SWITCH 2-2
8	BLACK	5200	TO LEFT CLAMP MOTOR SUPPLY - UNLOCK (+12) - LOCK (GROUND)
9			NO CONNECTION

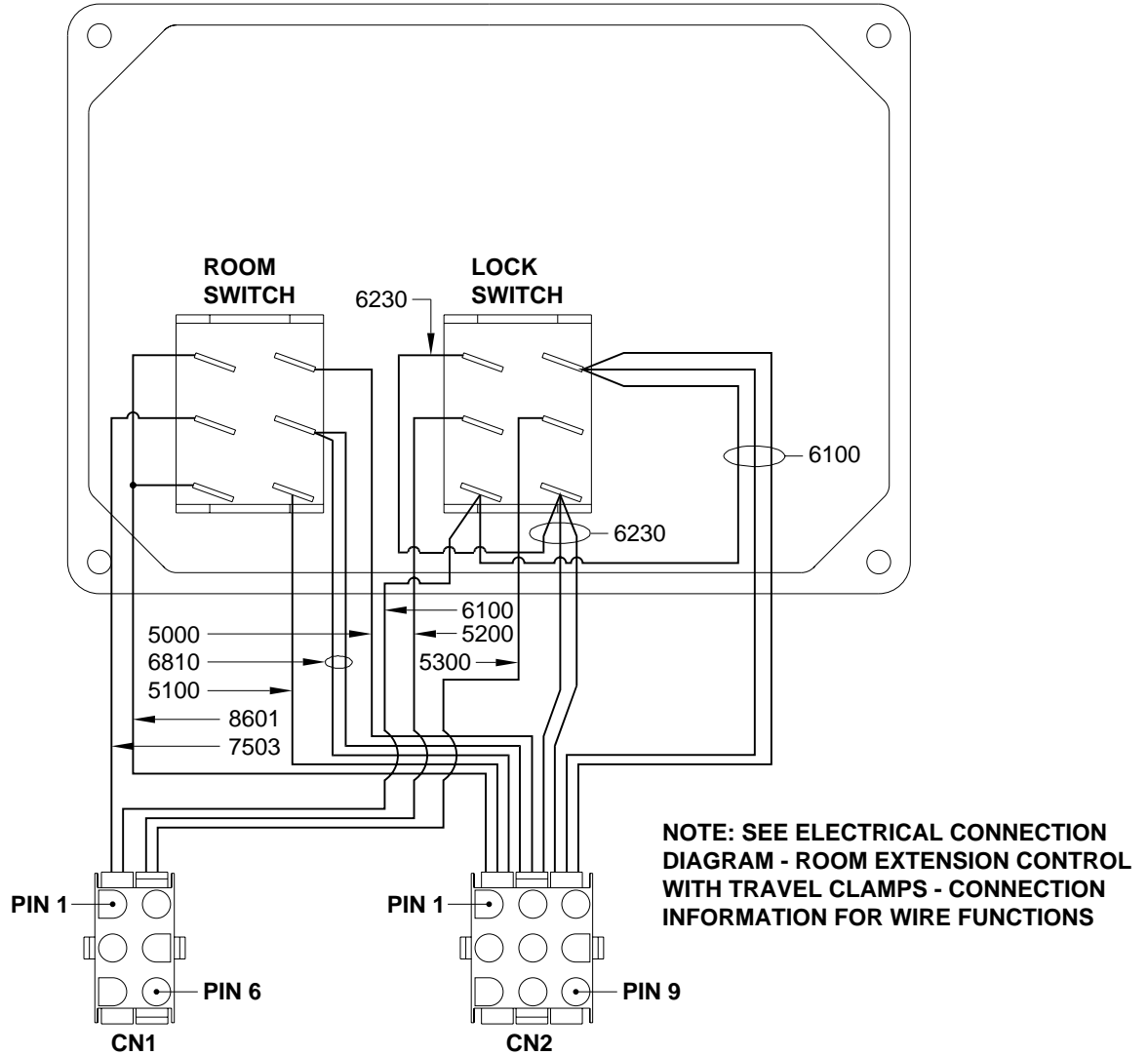
**CN4 - 6 PIN UML CONNECTOR**



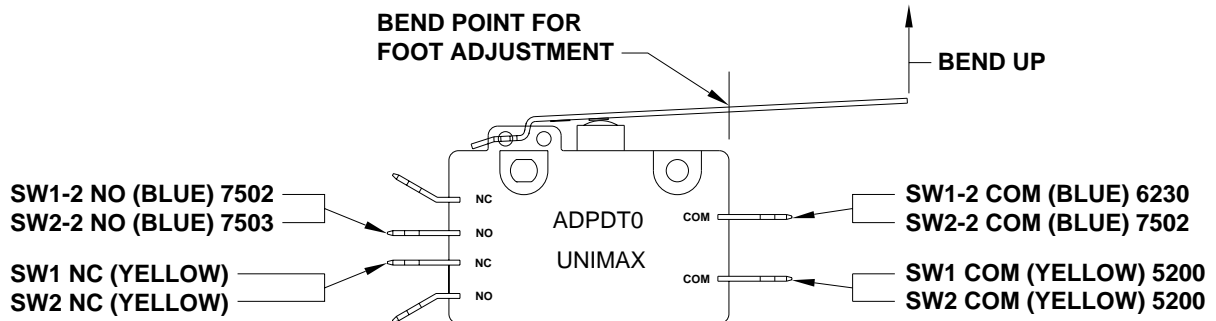
PIN #	WIRE COLOR	WIRE NUMBER	WIRE DESCRIPTION AND FUNCTION
1	BLACK	5200	LEFT CLAMP MOTOR SUPPLY - UNLOCK (+12) - LOCK (GROUND)
2	BLACK	7502	SWITCHED +12V FROM RIGHT CLAMP SW 1-2 TO LEFT CLAMP SW 2-2
3	BLACK	7503	SWITCHED +12V FROM LEFT CLAMP SWITCH 2-2 TO ROOM CONTROL SWITCH
4	BLACK	5300	LEFT CLAMP MOTOR SUPPLY - UNLOCK (GROUND) - LOCK (+12)
5 AND 6			NO CONNECTION

# ELECTRICAL CONNECTION DIAGRAM ROOM EXTENSION CONTROL PANEL SWITCH CONNECTIONS

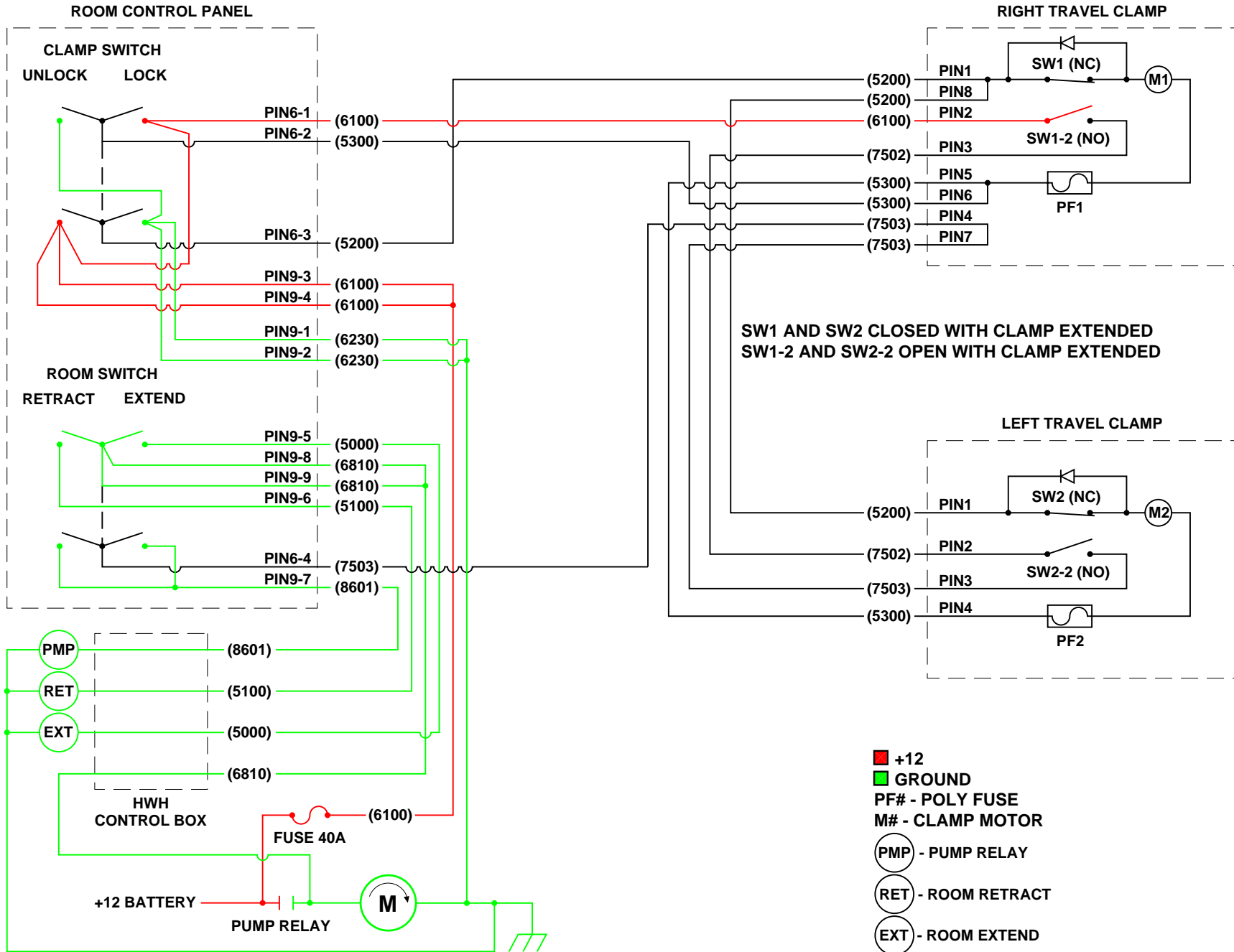
(REVERSE) ROOM EXTENSION CONTROL PANEL



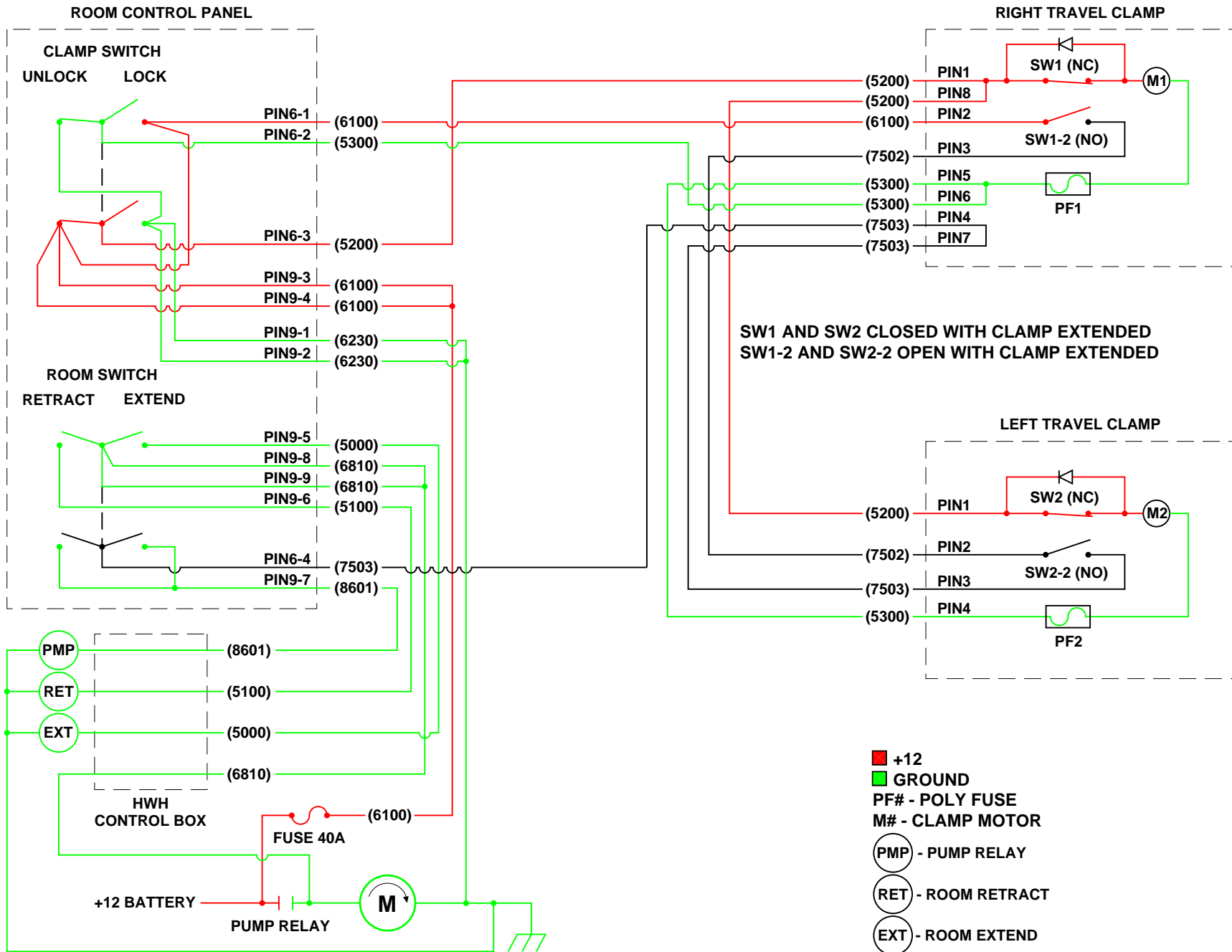
TRAVEL CLAMP SWITCH CONNECTIONS



MP85.630J  
30JUL07

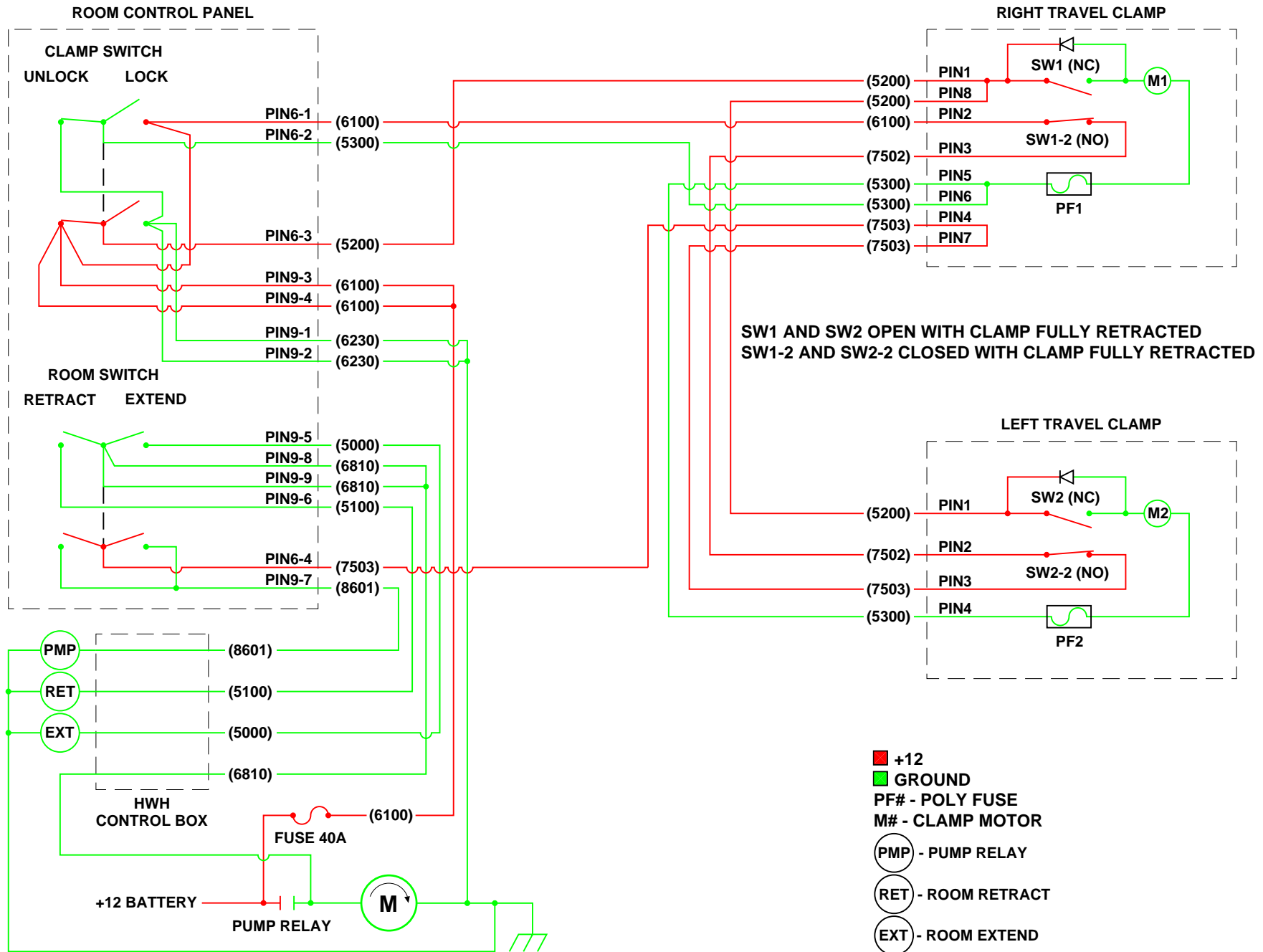


MP85.631J  
30JUL07



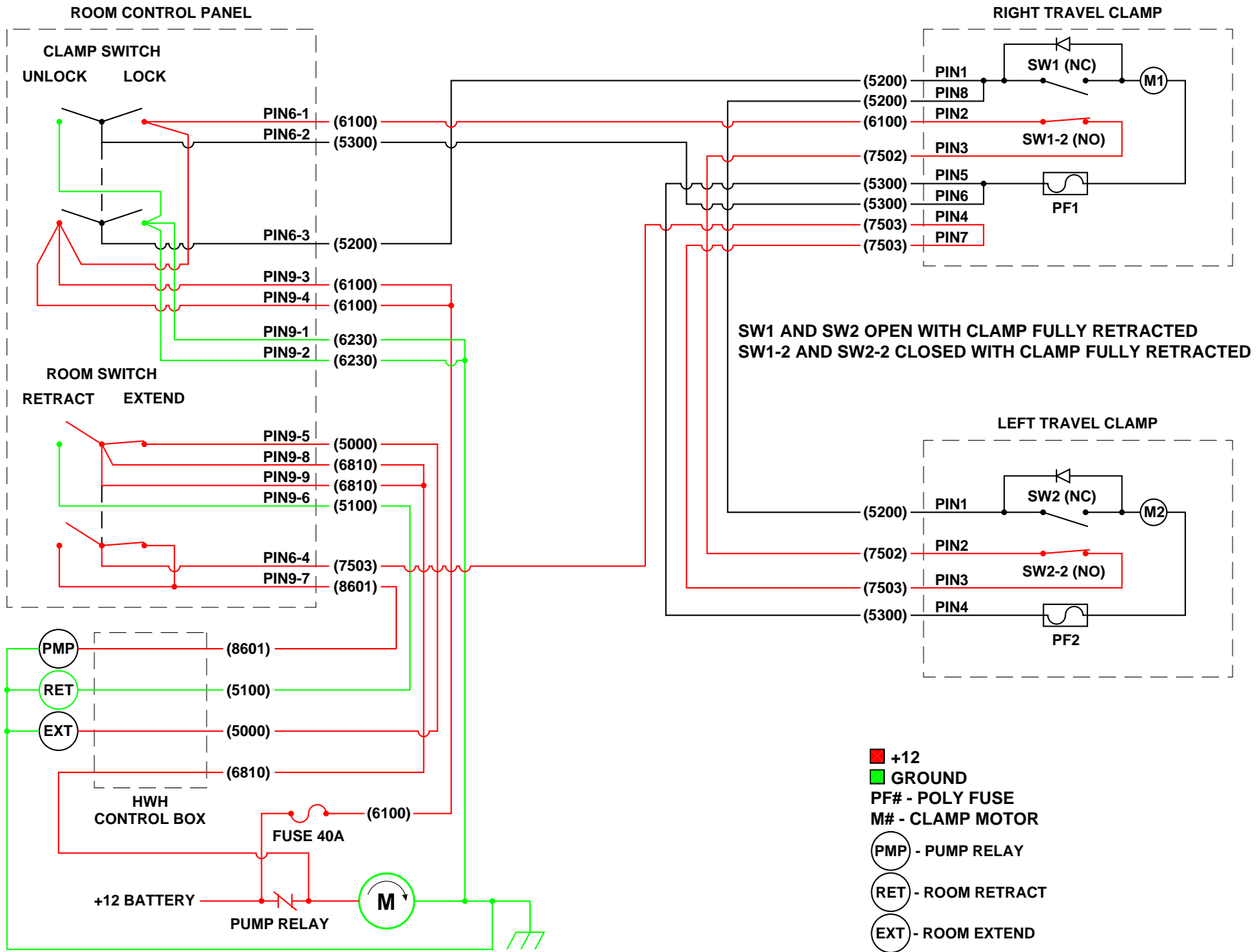
ROOM RETRACTED  
CLAMP SWITCH PUSHED TO "UNLOCK"  
CLAMPS START TO RETRACT

MP85.632J  
30JUL07



ROOM RETRACTED  
CLAMP SWITCH PUSHED TO "UNLOCK"  
CLAMPS FULLY RETRACTED

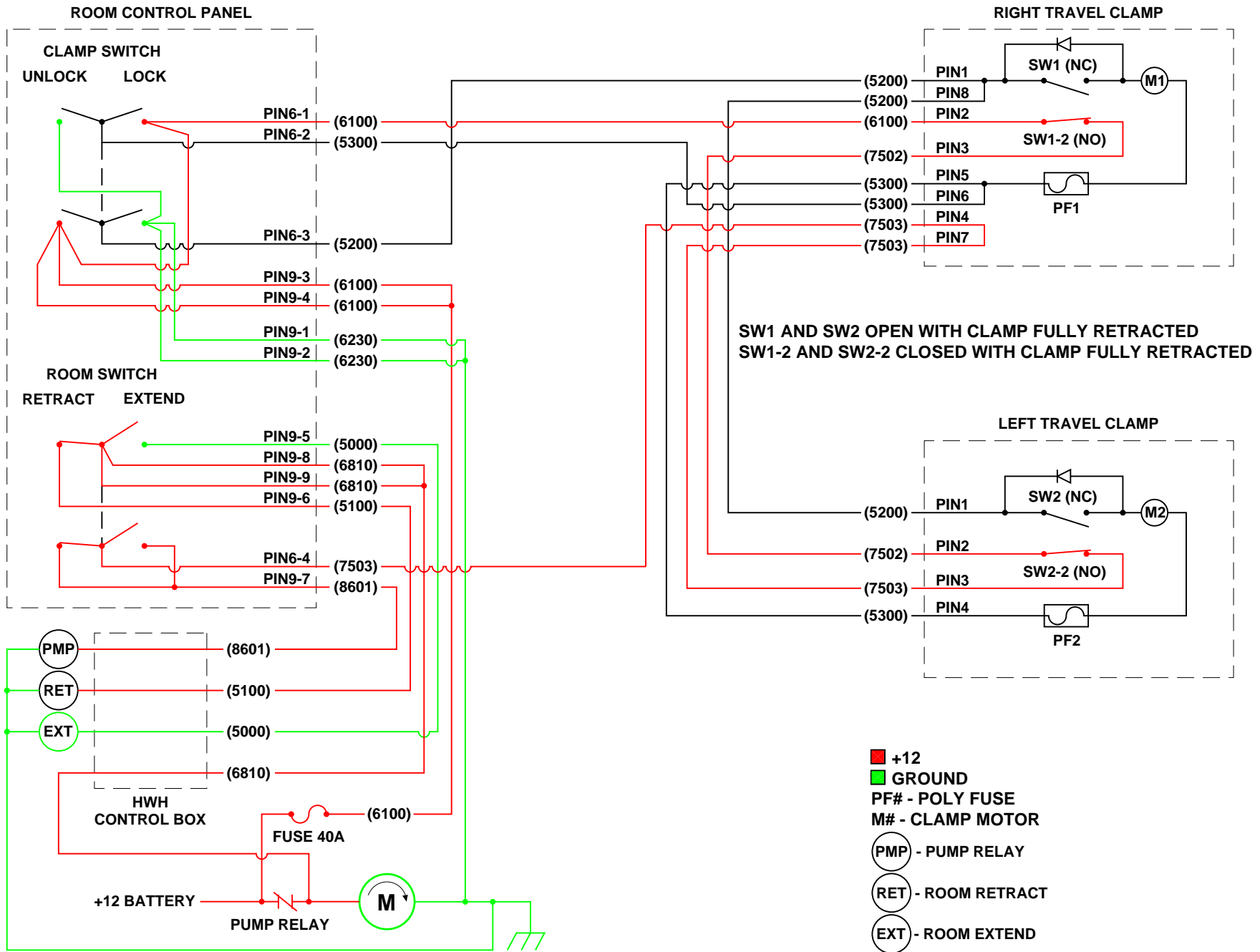
MP85.633J  
26JUL07



CLAMPS FULLY RETRACTED  
ROOM SWITCH PUSHED TO "EXTEND"  
ROOM EXTENDING

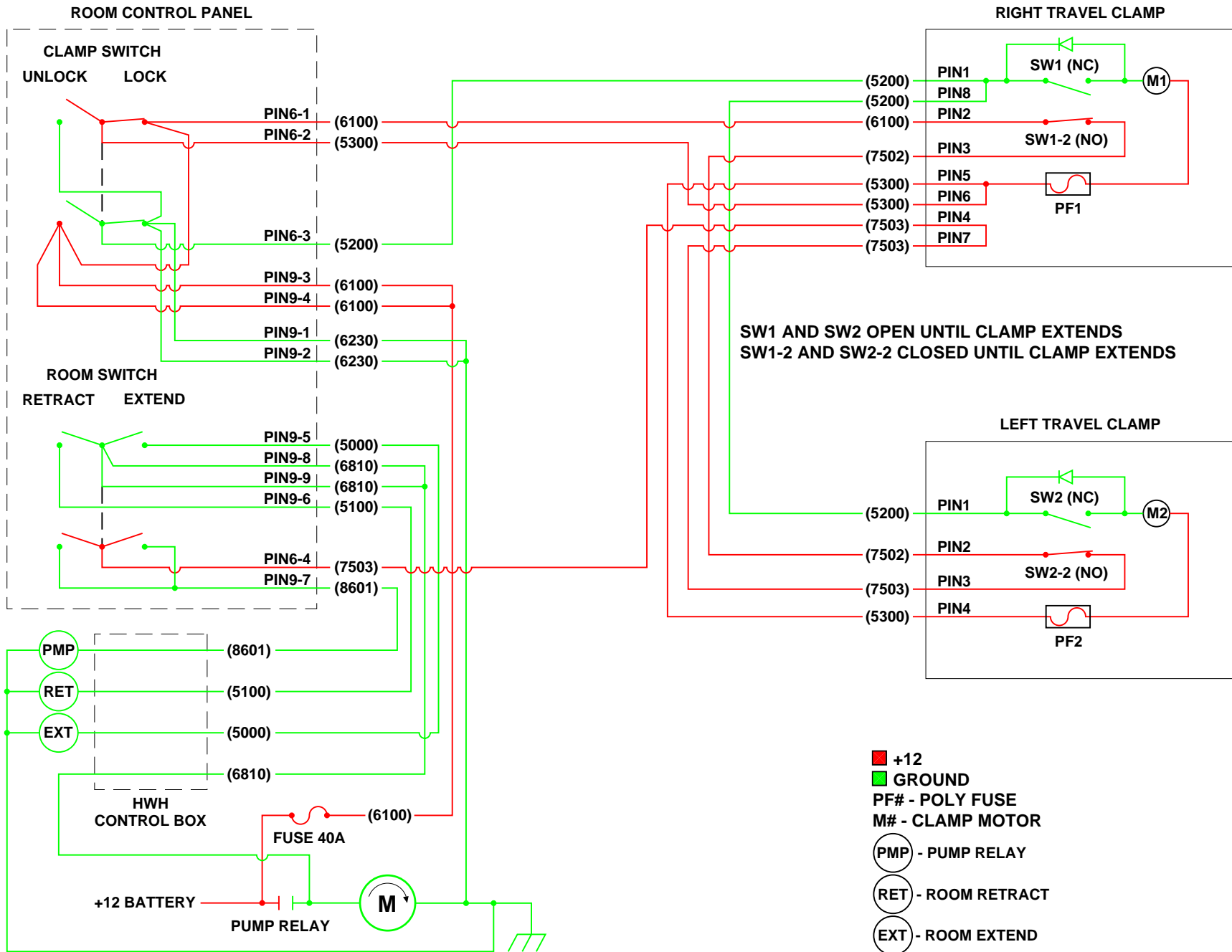


MP85.634J  
26JUL07



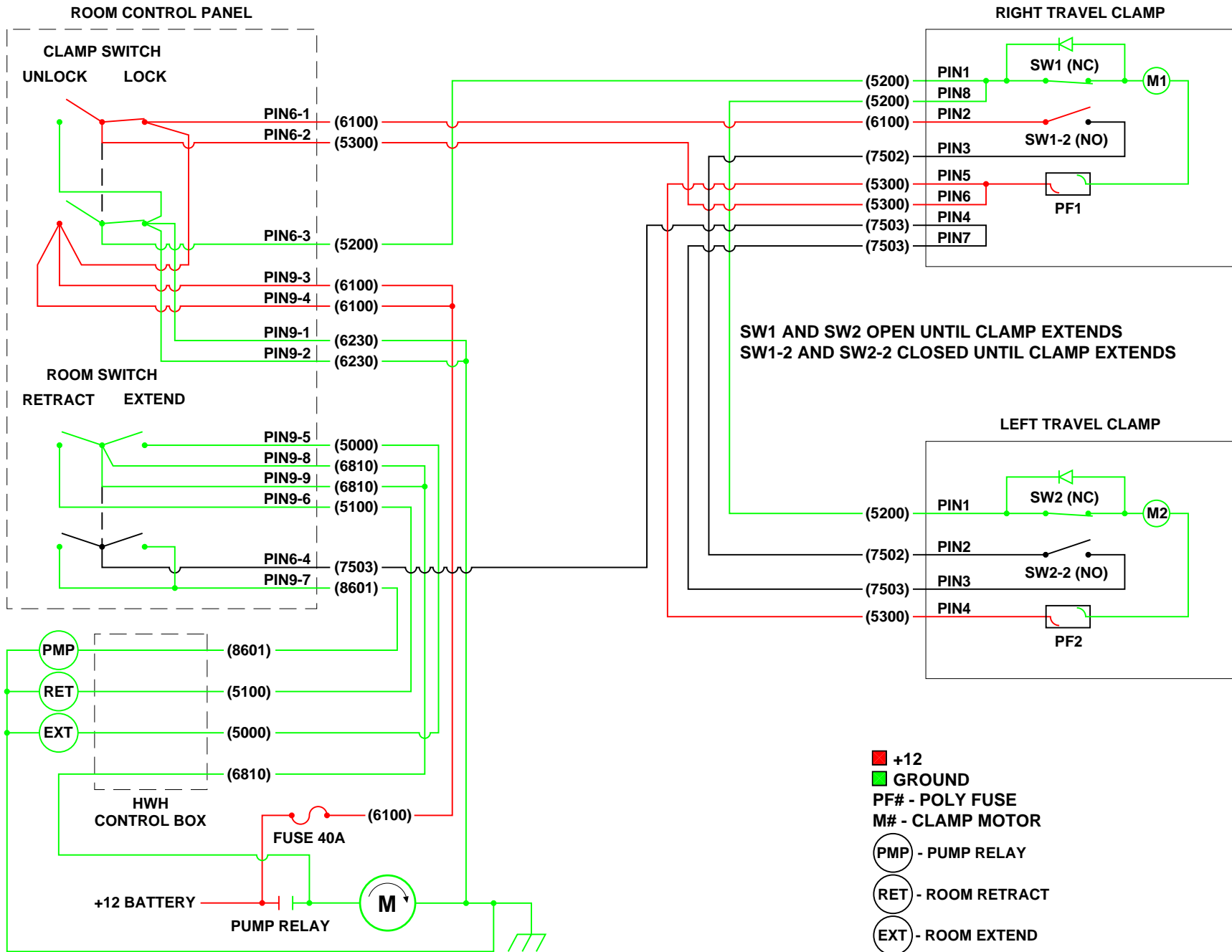
ROOM EXTENDED  
CLAMPS FULLY RETRACTED  
ROOM SWITCH PUSHED TO RETRACT  
ROOM RETRACTING

MP85.635J  
30JUL07



**ROOM RETRACTED**  
**CLAMP SWITCH PUSHED TO "LOCK"**  
**CLAMP STARTS TO EXTEND**

MP85.636J  
30JUL07



ROOM RETRACTED  
 CLAMP SWITCH PUSHED TO "LOCK"  
 CLAMP FULLY EXTENDED