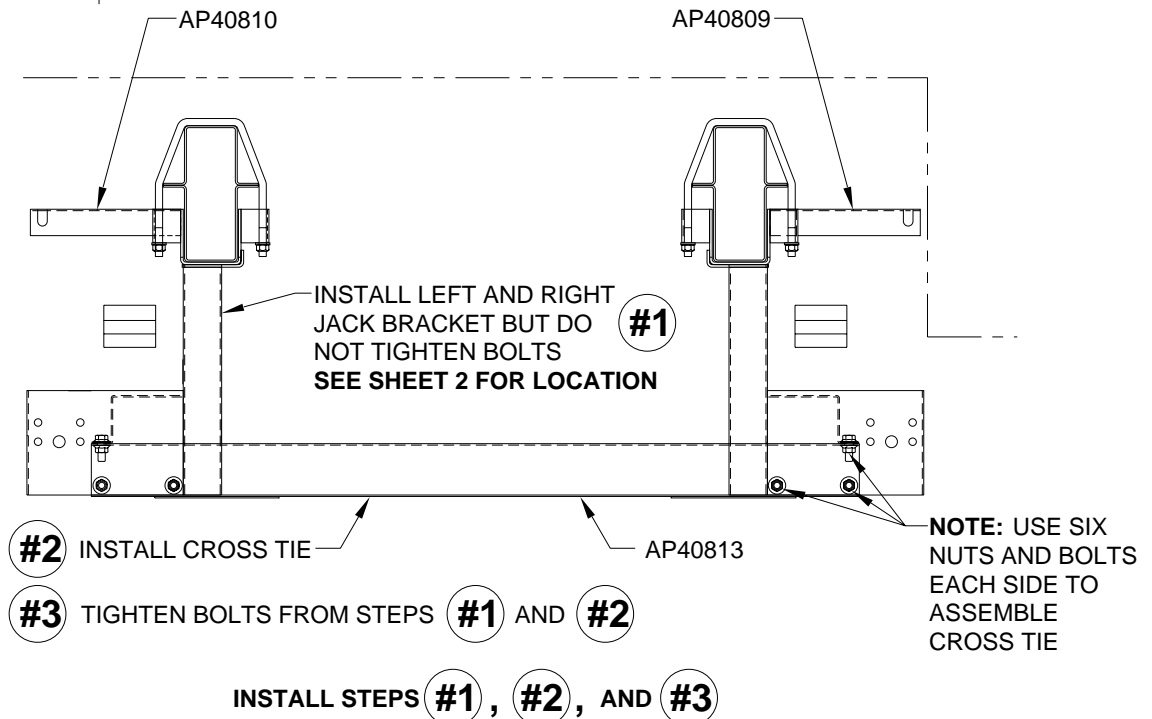
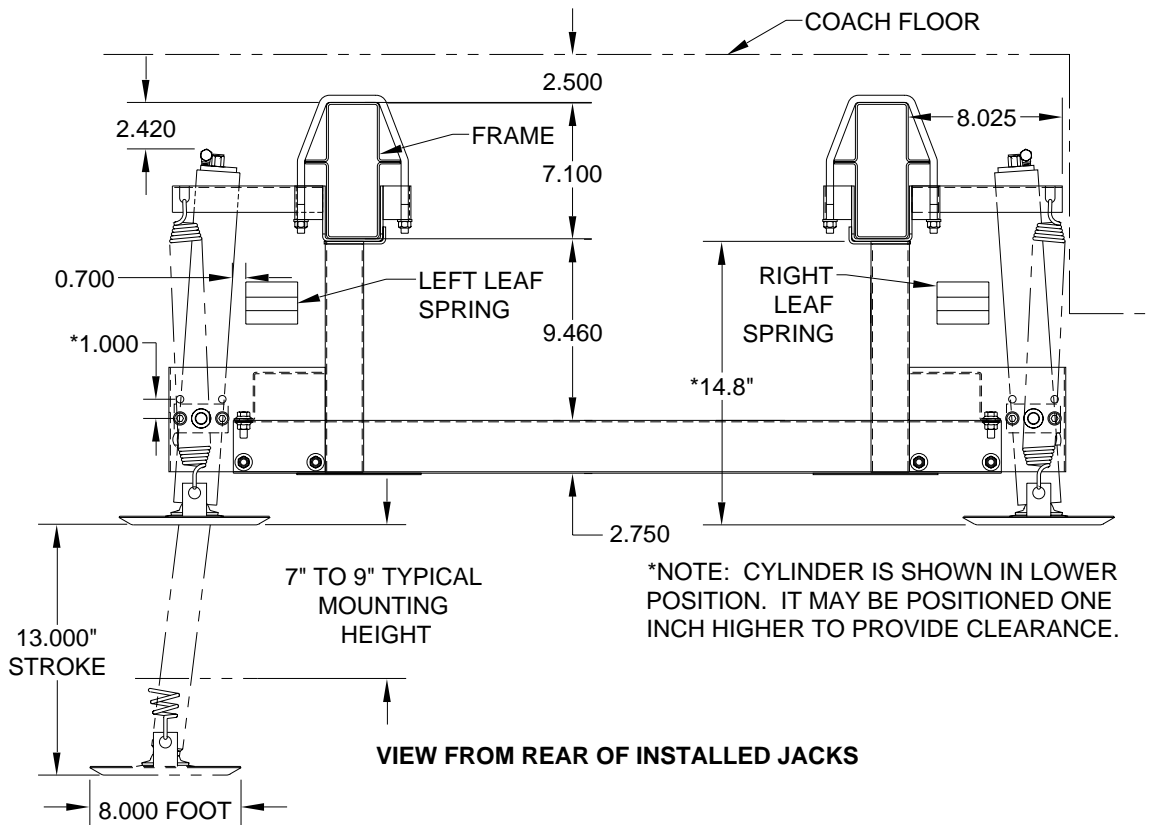


Application: For rear of 2008 Dodge Sprinter 3500 Chassis with V6 engine.

Mfr. #: AP40817 6000# Jack Kit

- | | |
|--|-----------------------------|
| Includes: 1 - AP40810 Left Jack Pivot Bracket Assy. | 1 - AP40815 Hardware Kit |
| 1 - AP40809 Right Jack Pivot Bracket Assy. | 1 - AP40833 Hardware Kit |
| 1 - AP40813 Cross tie | 4 - P3847 14" Jack Spring |
| 2 - AP40858 6000# x 13" Stroke Cylinder Assy. | 2 - AP36048 Jack Foot Assy. |

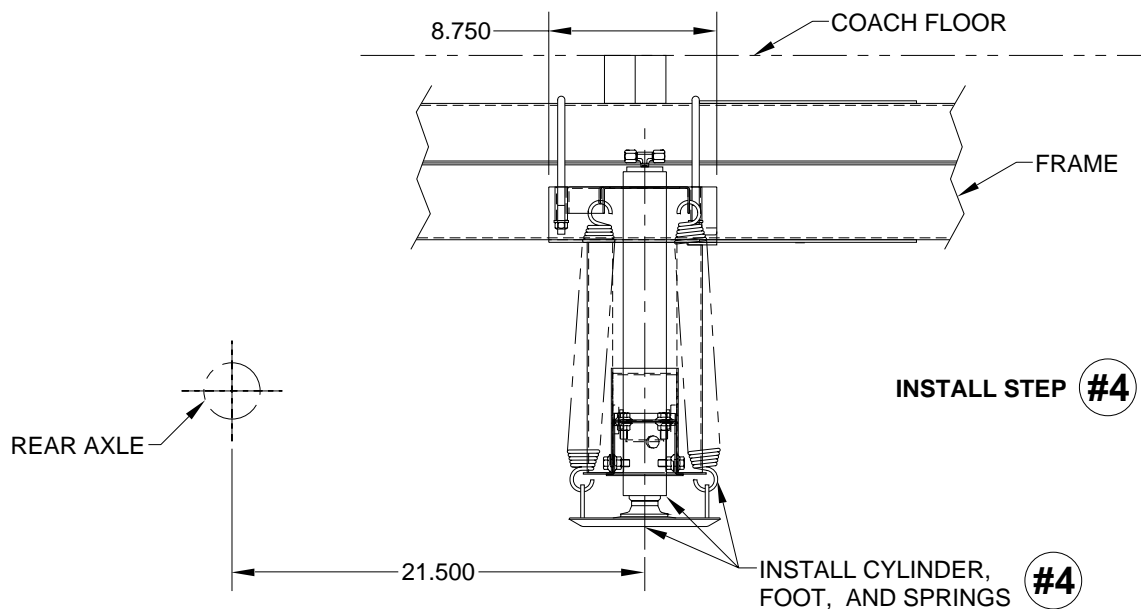
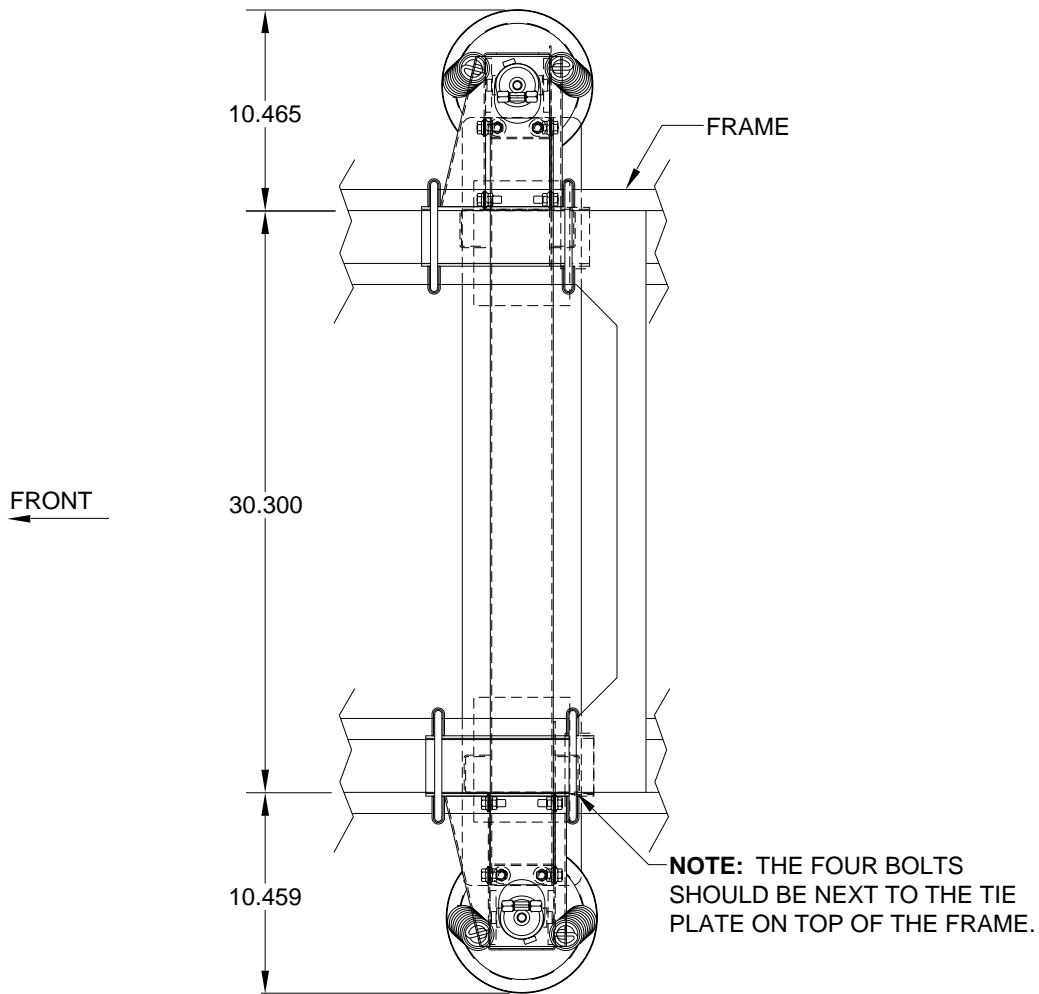
M.S.R.P.: See Item Price Listing



NOTE: ALL DIMENSIONS ARE APPROXIMATE

CAUTION: Follow CAUTIONS in Operator's and Installation Manuals concerning working under vehicles.

ML41252/MI25.1132
31JUN07



NOTE: ALL DIMENSIONS ARE APPROXIMATE

CAUTION: Follow CAUTIONS in Operator's and Installation Manuals concerning working under vehicles.

ML41252/MI25.1133
31JUN07