

# ***HWH® Straight-Acting, Power-Extend/Power-Retract Jack*** **7,000 lb. Lift Capacity each Jack with a 21" Stroke**

***Available for Fifth Wheel, Horse and Specialty Trailers***

**Designed to replace mechanical landing gear**



***Jacks can be used as landing gear or in combination with other jacks to make a complete leveling system.***

**Includes the following features...**

- Strong, hydraulic power-extend/power-retract jacks with a 21" stroke.
- Jack lifting capacity is 7,000 pounds per jack.
- Large pivoting foot pads allow for maximum stability.
- State-of-the-art corrosion protected hydraulic cylinders designed for long life.
- Designed to easily replace mechanical landing gear.



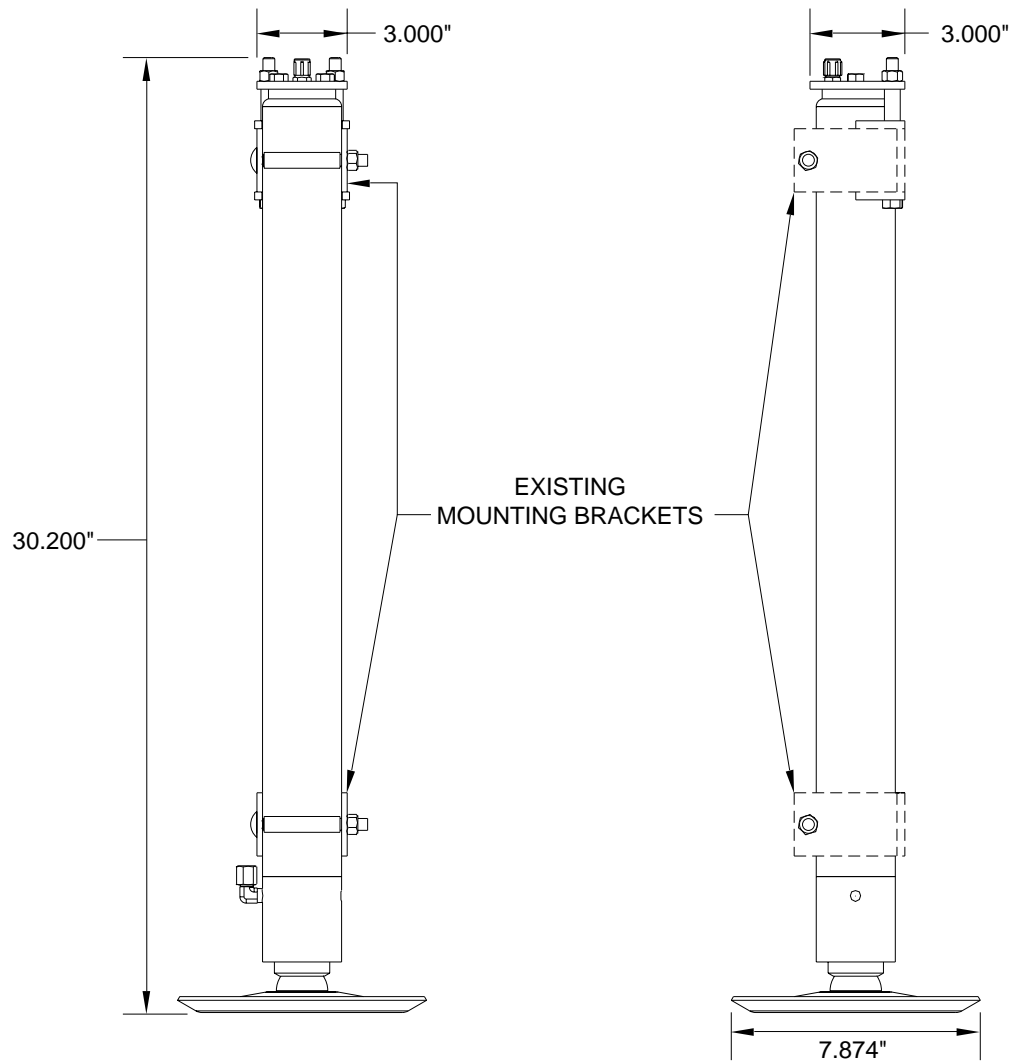
(On I-80, Exit 267 South) | 2096 Moscow Road | Moscow, Iowa 52760  
Phone: (800)321-3494 or (563)724-3396 | Fax: (563)724-3408 | Web: [www.HWH.com](http://www.HWH.com)

***Made in the USA***

**STRONG, RELIABLE, HYDRAULIC POWER**

# Specifications & Features

## HWH®: Straight-Acting (Power-Extend/Power-Retract) Jack 7,000 lb. Lift Capacity each Jack with a 21" Stroke



### Specifications...

#### WEIGHTS (lbs.)

Each Jack Assembly	36
--------------------	----

#### DIMENSIONS (in.)

Jack Width	2.500
Retracted Jack Height	30.200
Jack Stroke	21.000

<b>LOAD PER JACK (lbs.)</b>	<b>7,000</b>
-----------------------------	--------------

#### PRIMARY APPLICATIONS

Towables