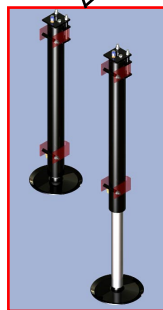
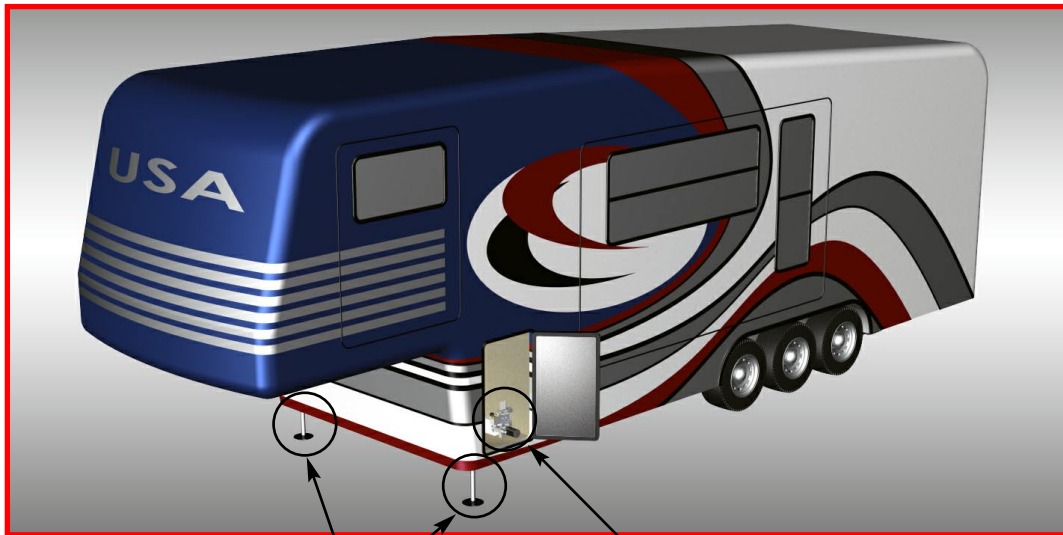


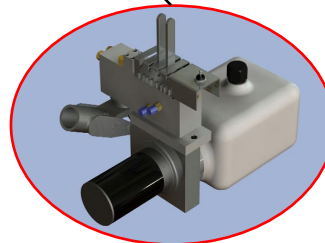
HWH[®] Straight-Acting (Power-Extend/Power-Retract) Hydraulic Landing Gear *Designed to replace mechanical landing gear*

AP43038 Landing Gear Package

Featuring Hand/Electric Pump with Hydraulic Switches
&
Straight-Acting (Power-Extend/Power-Retract) Landing Gear



Straight-Acting
(Power-Extend/Power-Retract)
Hydraulic Landing Gear
with a lifting capacity of
7,000 lb. per jack



Hand/Electric Pump
with
Hydraulic Switches

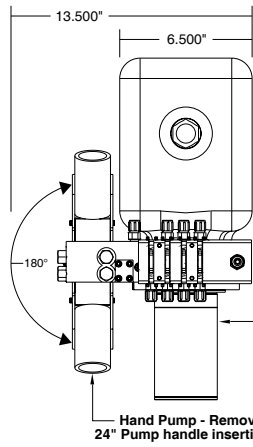


(On I-80, Exit 267 South) | 2096 Moscow Road | Moscow, Iowa 52760
Phone: (800)321-3494 or (563)724-3396 | Fax: (563)724-3408 | Web: www.HWH.com
Made in the USA

STRONG, RELIABLE, HYDRAULIC POWER

Specifications & Features

The HWH®: Power Unit with Hydraulic Switch Control and Manual Back-up



Up to four hydraulic switch controls will operate up to four one way jacks, four two way jacks or four room extensions or a combination there of.

12 VOLT DC Motor and Pump
125 amp - 2500 psi

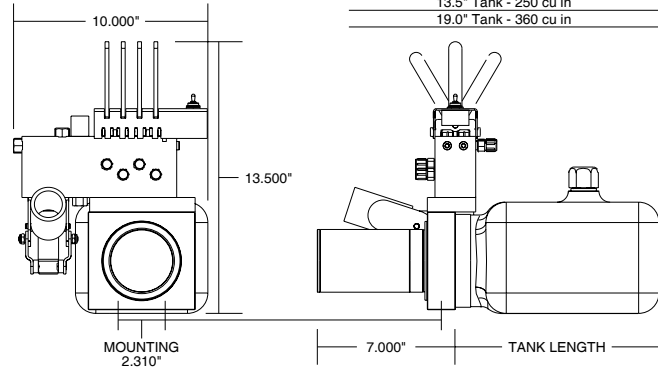
Specifications...

WEIGHT (lbs.)	
Each Assembly	25

TANK LENGTH - OIL DELIVERY (Cubic inches)

10.0" Tank	165 cu in
13.5" Tank	250 cu in
19.0" Tank	360 cu in

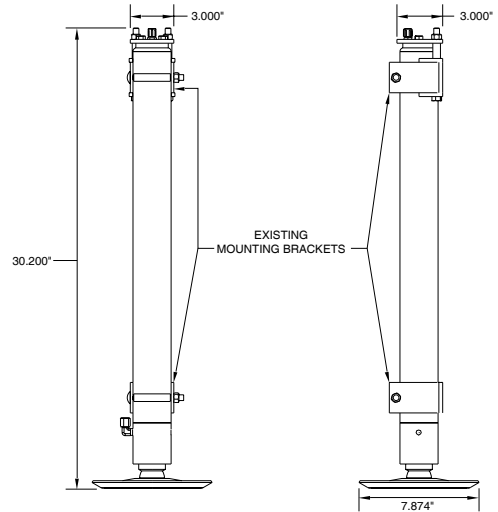
Hand Pump - Removable
24" Pump handle insertion point



ML42335B.DWG - 17JUN08

Specifications & Features

**HWH® Straight-Acting (Power-Extend/Power-Retract) Jack
7,000 lb. Lift Capacity each Jack with a 21" Stroke**



Specifications...

WEIGHTS (lbs.)	
Each Jack Assembly	36

DIMENSIONS (in.)

Jack Width	2.500
Retracted Jack Height	30.200
Jack Stroke	21.000

LOAD PER JACK (lbs.)

	7,000
--	-------

PRIMARY APPLICATIONS

Towables	
----------	--

ML43043B
ML43044B
ML43045B
ML43046B
ML43047B

ML42935B.DWG - 12JUN12