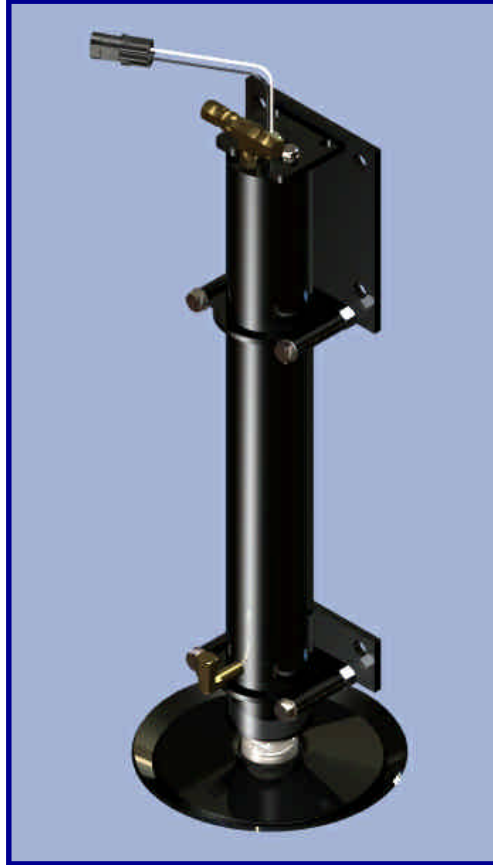


HWH[®] Power-Up / Power-Down 7,000 lb. Fixed Jacks

STRONG, RELIABLE, HYDRAULIC POWER



Picture represents a single version of stated jacks and is not actual to all applications.

Jacks can be used as landing gear or in combination with other jacks to make a complete leveling system.

Includes the following features...

- Strong, hydraulic Power-Up / Power-Down jacks with 13" stroke.
- Jack lifting capacity is 7,000 pounds per jack.
- Large pivoting foot pads allow for maximum stability.
- State-of-the-art corrosion protected hydraulic cylinders designed for long life.

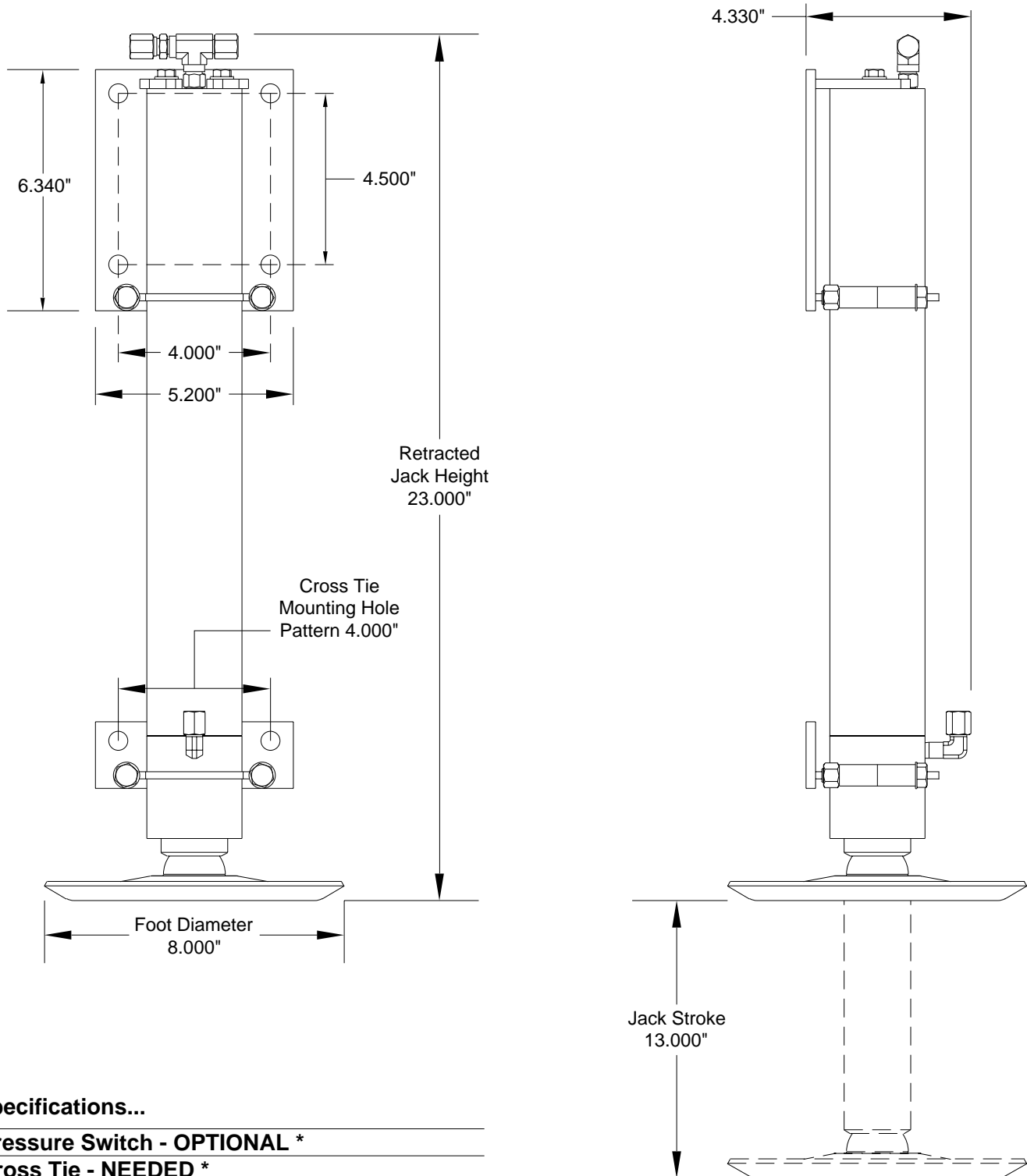


(On I-80, Exit 267 South)
2096 Moscow Road | Moscow, Iowa 52760
Phone: (800)321-3494 or (563)724-3396 / Fax: (563)724-3408
Web: www.HWH.com

ML44872.QXD - 04JUN09
(Page 1 of 2)

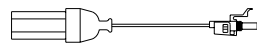
Specifications & Features

HWH®: Power-Up / Power-Down Fixed Jack AP44827 - 7,000 lb. Jack with a 13" Stroke



Specifications...

Pressure Switch - OPTIONAL *	
Cross Tie - NEEDED *	
Bolt To Frame Brackets - APPLIED	
WEIGHTS (lbs.)	
Each "Power-Up/Power-Down" Assembly	XX
LOAD PER JACK (lbs.)	7,000
* Available from HWH Corporation	



Pressure switch sold separately, needed for auto level systems only.